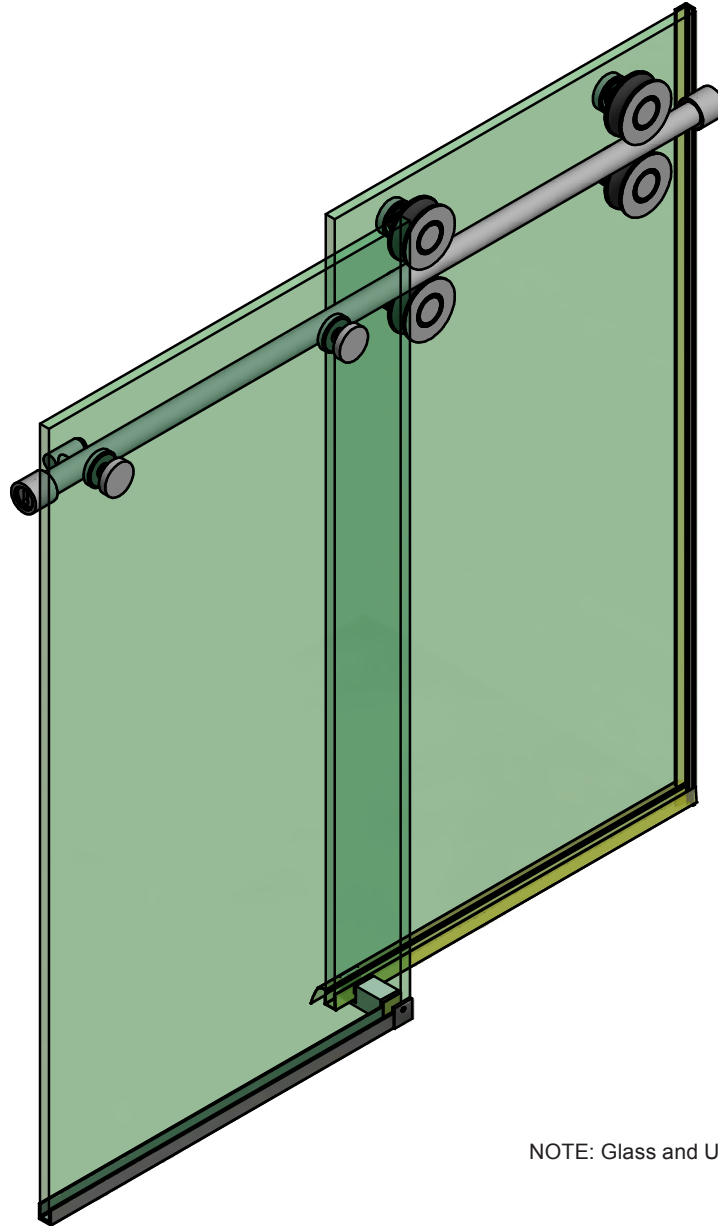




COLONIA SERIES CLN78 SLIDING DOOR KIT



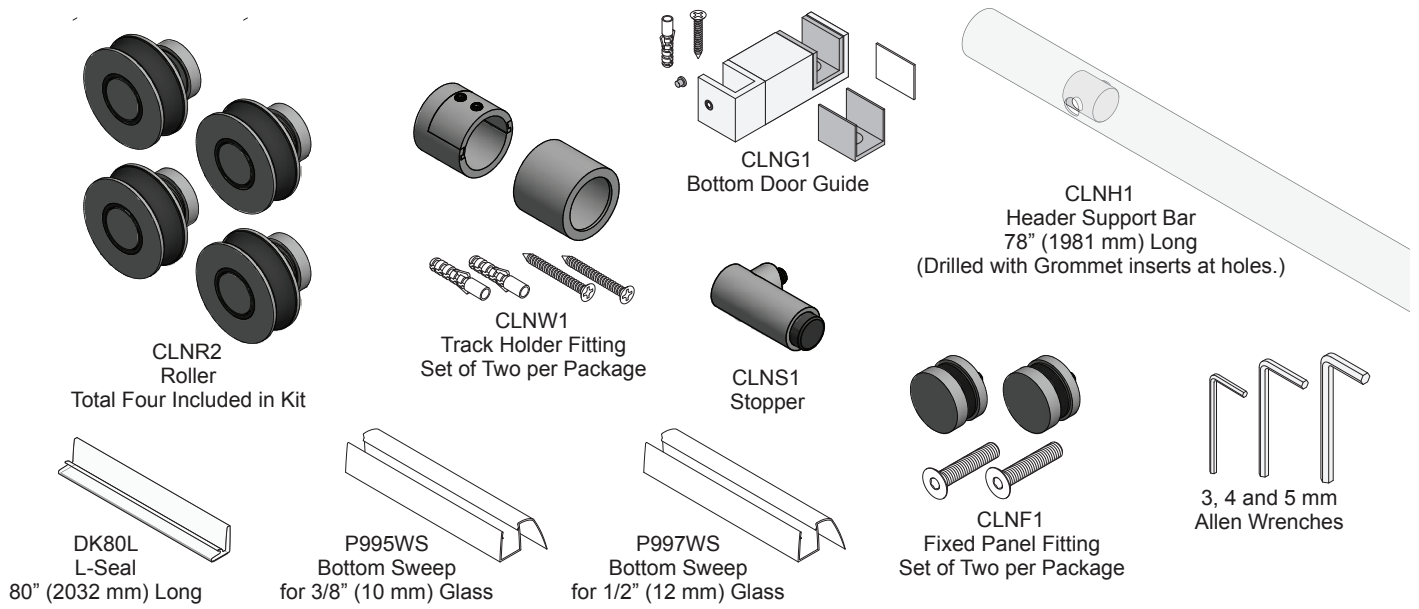
NOTE: Glass and U-Channels not included.

ORDER OF ASSEMBLY AND INSTALLATION

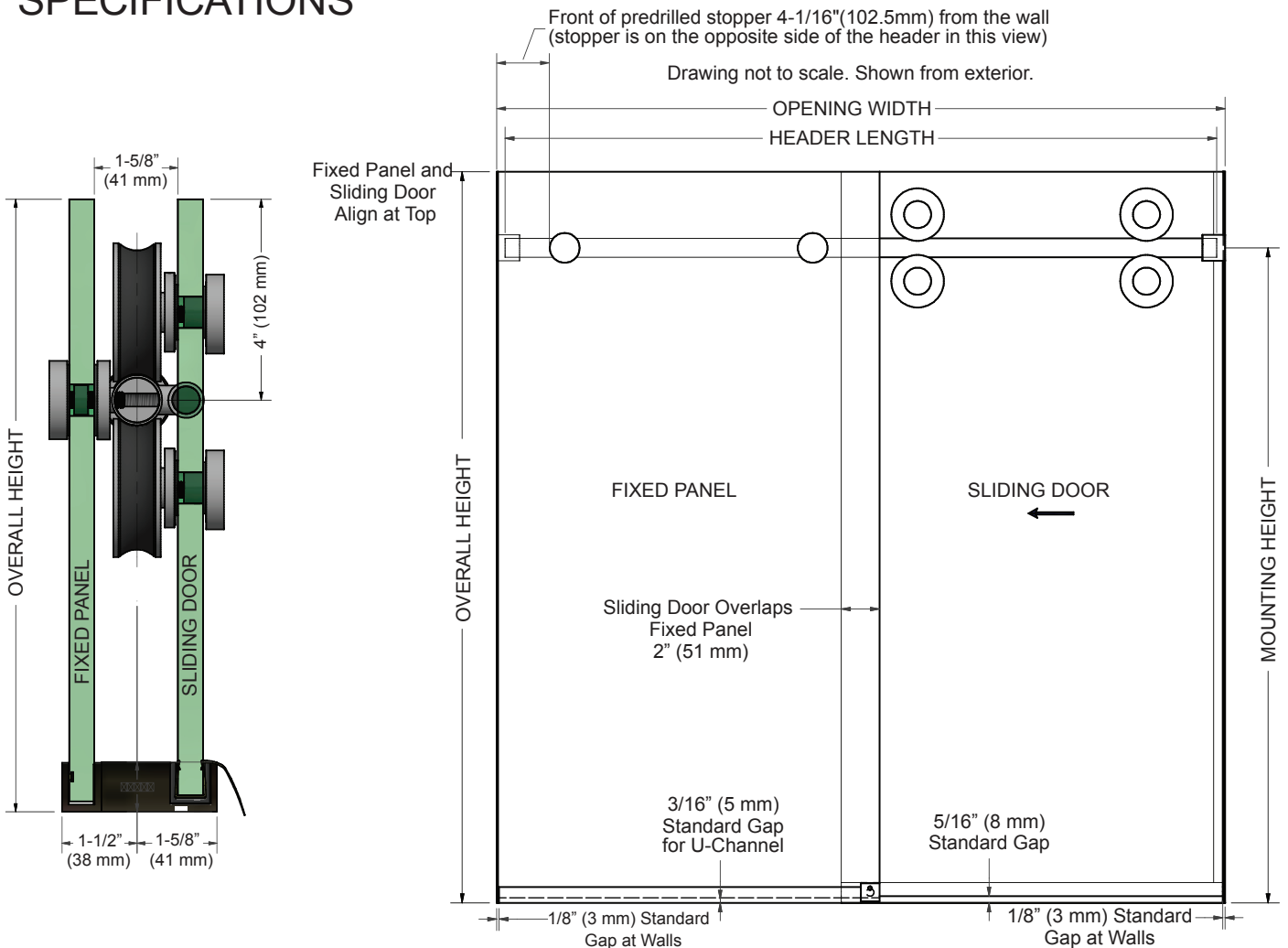
PARTS LIST	3
SPECIFICATIONS	3
GLASS FABRICATION	4
SLIDING DOOR PREPARATION	5
Unpack Rollers	5
Install Top Rollers	5
Install Bottom Sweep	5
SITE PREPARATION	6
Mark Location for Header Support Bar	6
FRAME FABRICATION	6
Prepare Header Bar: Opening Width Greater Than 53-1/4"	6
Prepare Header Bar: Opening Width Less Than 53-1/4"	6
FRAME INSTALLATION	7 - 10
Mount Track Holder Fittings	7
Install Stopper	7
Install Header	7
Bottom Guide Mounting Options and U-Channel Preparation (Optional)	8
Unpack and Prepare Bottom Door Guide	8
Install Fixed Panel Curb Mounts	8
Install Fixed Panels	9
Place Bottom Door Guide	9
Install Bottom Door Guide	10
SLIDING DOOR INSTALLATION	10
Hang Sliding Door	10
Install Bottom Rollers	10
FINISHING	11
Adjust Stopper Position	11
Install L-Seal	11

IMPORTANT: READ THIS MANUAL THOROUGHLY BEFORE BEGINNING INSTALLATION.

PARTS LIST



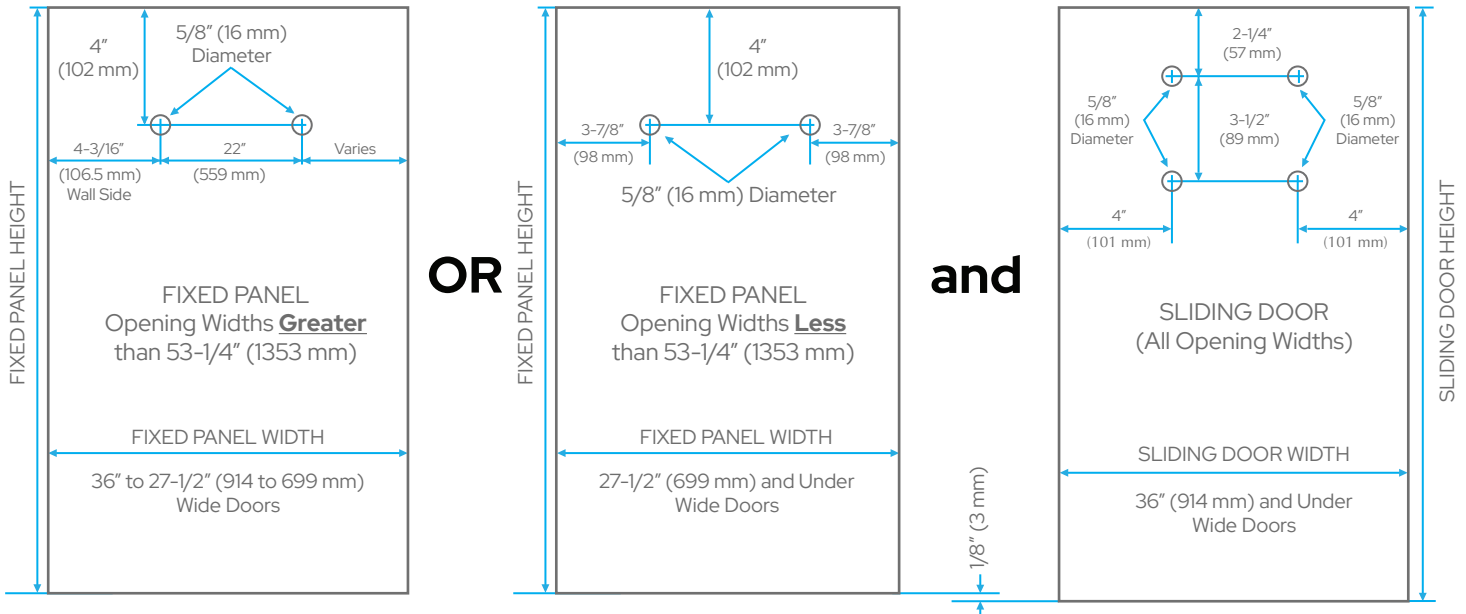
SPECIFICATIONS



GLASS FABRICATION

Use 3/8" or 1/2" (10 or 12 mm) Tempered Glass only. Do not use Laminated Glass.

Choose a fixed panel set up depending on opening width



NOTE: For Opening Widths less than 53-1/4" we recommend moving the holes for the Fixed Panel closer to the edge of the glass as shown above.

FIXED PANEL AND SLIDING DOOR HEIGHTS

FIXED PANEL: Overall Height minus 3/16" (5 mm)

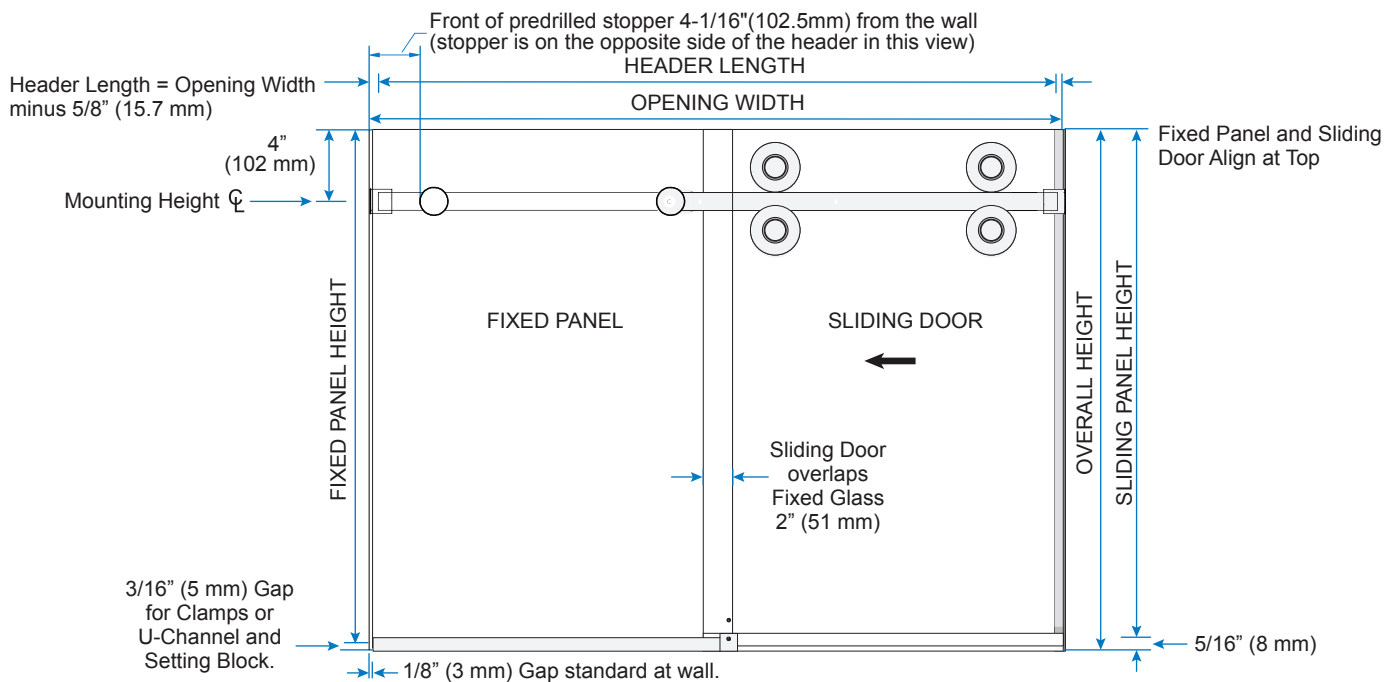
SLIDING DOOR: Overall Height minus 5/16" (8 mm)

FIXED PANEL AND SLIDING DOOR WIDTHS

2 EVEN PANELS: Overall Width divided by 2, plus 7/8" (22 mm).

NOTE 1: Fixed Glass Fabrication changes for Openings less than 53-1/4".

NOTE 2: Predrilled end of stopper projects 4-1/16"(102.5mm) from the wall



NOTE: Drawings not shown to scale. Track is cut 5/8" (15.7 mm) less than Opening Width and centered in opening. Overall Height is height from curb/floor to top of glass. Drawings shown from interior.

SLIDING DOOR PREPARATION

Unpack Rollers

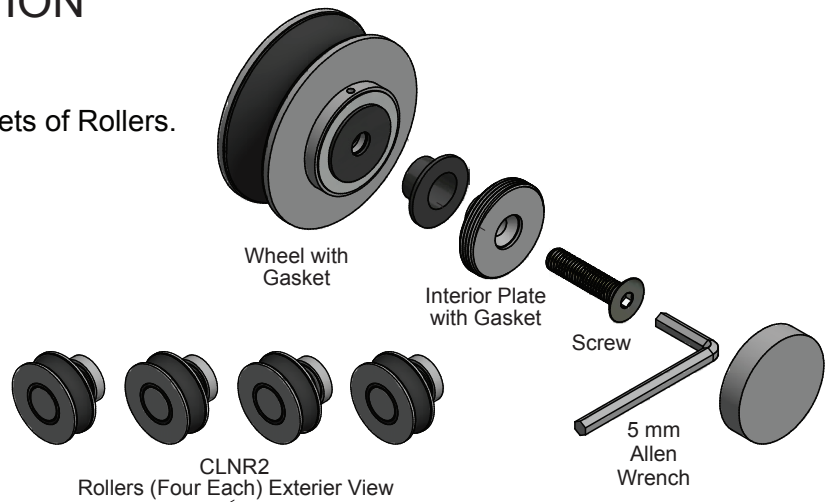
- 1 Unpack and partially disassemble two sets of Rollers.

NOTE: Rollers shipped assembled.
5 mm Allen Wrench included.

Install Top Rollers

- 2 Adjust wheel height.
- 3 Install Top Rollers on Sliding Door.

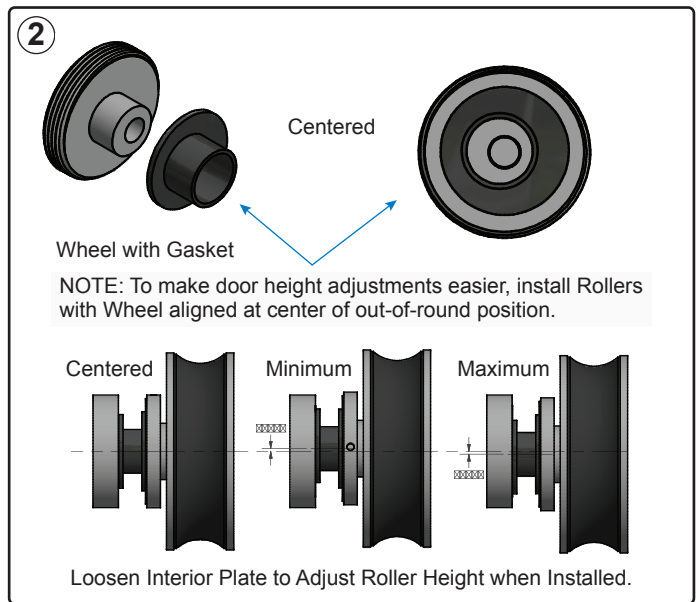
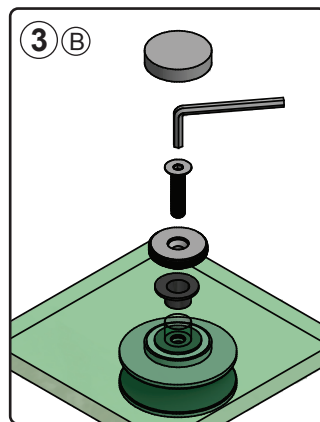
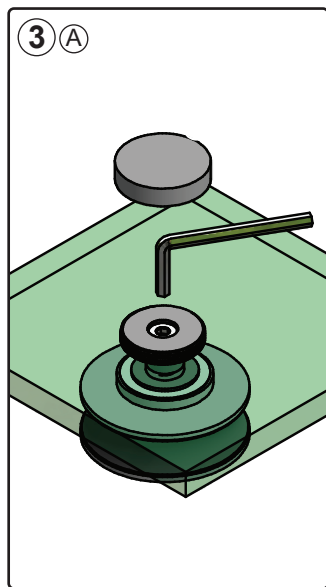
NOTE: Lower Rollers are installed after door is hung. See Page 10.



Install Bottom Sweep

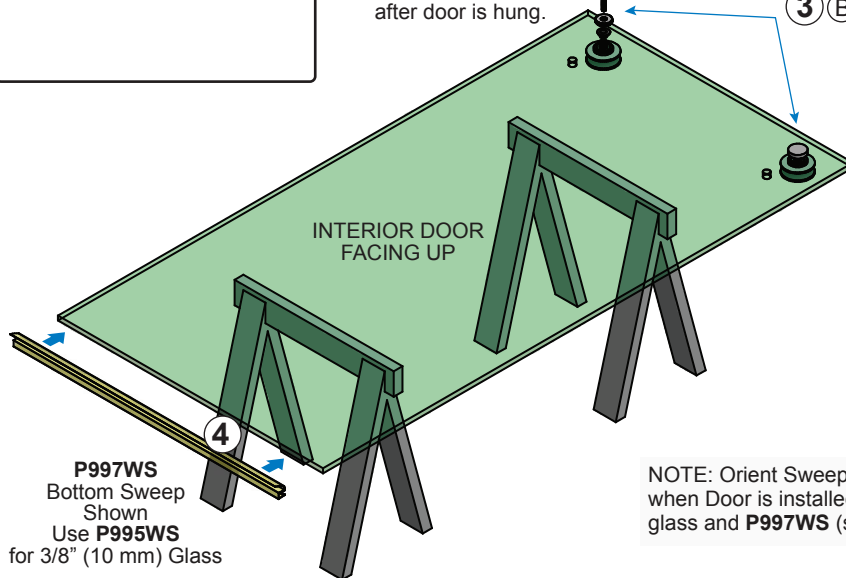
- 4 Cut Bottom Sweeps to door width and fit on the bottom of door.

NOTE: Select one of two sizes of included Sweeps.

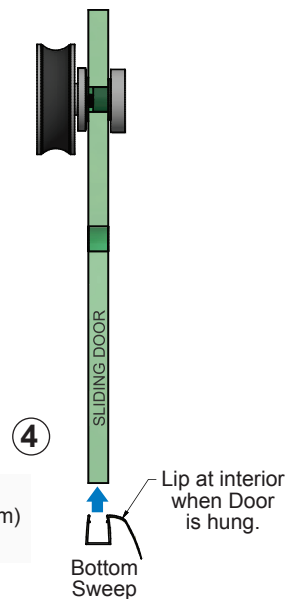


Install Top Rollers.
Lower Rollers installed after door is hung.

- 3(B) Tighten with Included 5 mm Allen Wrench.



NOTE: Orient Sweep with lip at interior of shower when Door is installed. Use **P995WS** for 3/8" (10 mm) glass and **P997WS** (shown) for 1/2" (12 mm) glass.



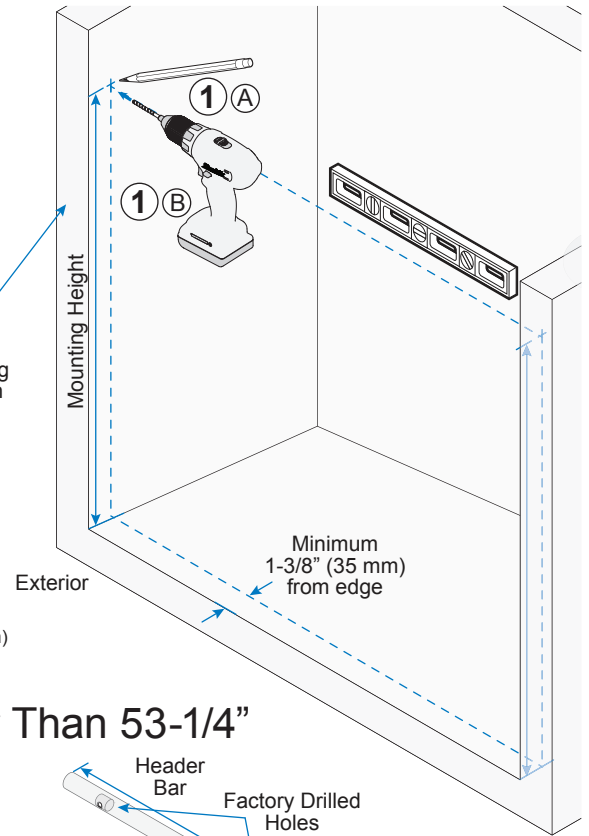
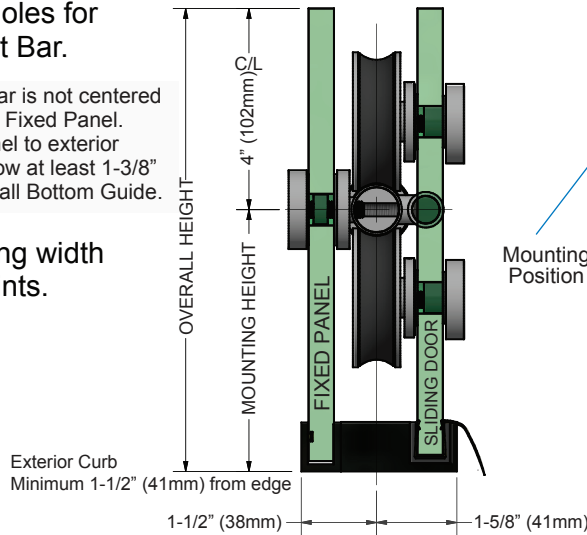
SITE PREPARATION

Mark Location for Header Support Bar

- 1 Mark and drill holes for Header Support Bar.

NOTE: Header Support Bar is not centered between Sliding Door and Fixed Panel. When installing Fixed Panel to exterior (traditional placement) allow at least 1-3/8" (35 mm) from edge to install Bottom Guide.

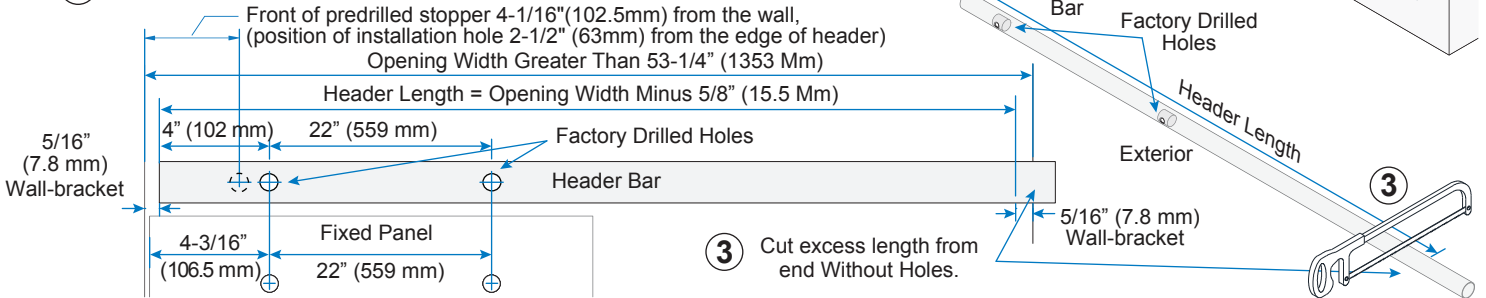
- 2 Measure opening width at mounting points.



FRAME FABRICATION

Prepare Header Bar: Opening Width Greater Than 53-1/4"

- 3 Cut CLNH1 Header Bar from end without holes.



NOTE: Header Support Bar is cut 5/8" (15.5 mm) short from tight dimension and centered in opening.

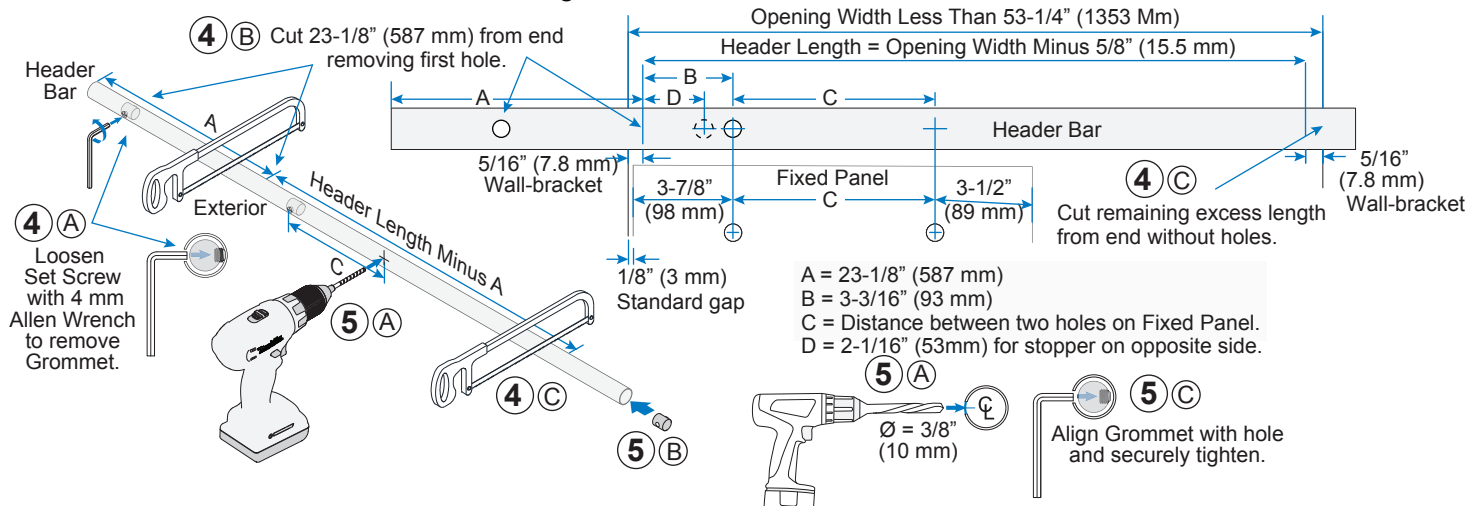
NOTE: Header Bar is made of stainless steel. Use hacksaw or special cutting tool.

Prepare Header Bar: Opening Width Less Than 53-1/4"

- 4 Cut excess length from CLNH1 Header Bar from both ends.

NOTE: Remove Grommet at first hole before cutting. Header Bar is made of stainless steel. Use hacksaw or special cutting tool.

- 5 Drill second hole for Fixed Panel Fitting and reinstall Grommet.



FRAME INSTALLATION

Mount Track Holder Fittings

- 1 Unpack Track Holder Fittings. Loosen Set Screws remove Mounting Blocks.
- 2 Fasten Mounting Blocks to wall.

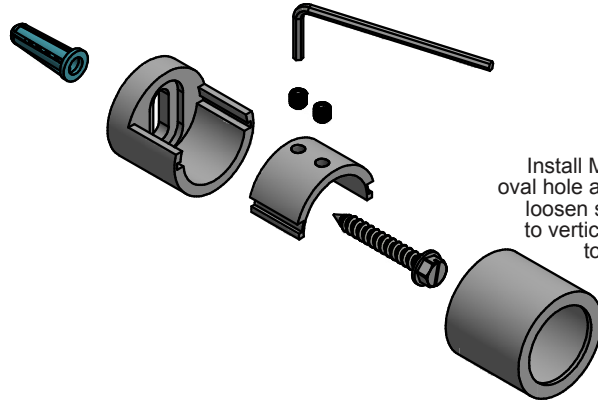
Install Header

NOTE: Orient Stopper with Rubber Bumpers facing center and Track Holder Fittings with rounded end facing center.

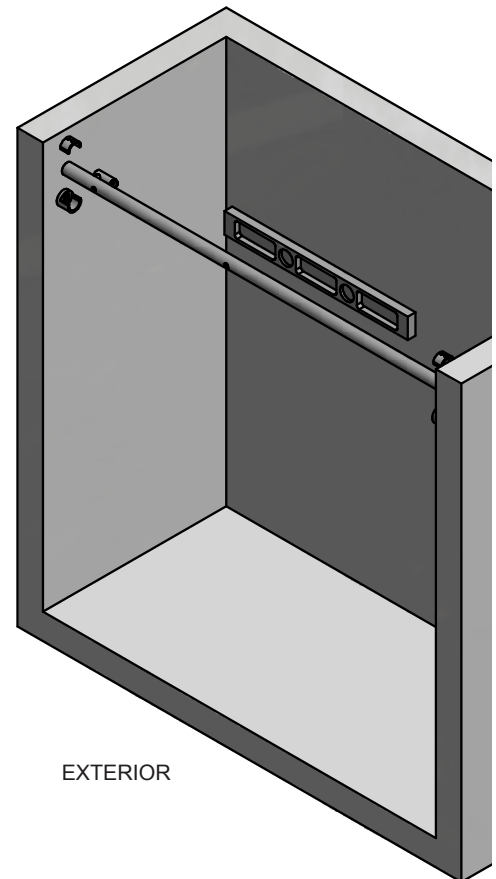
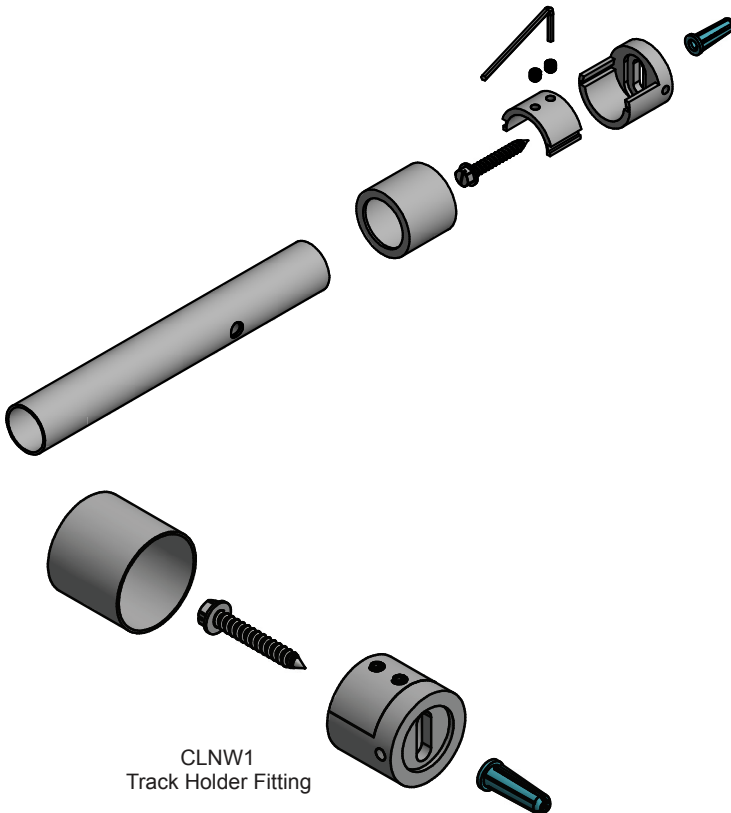
- 3 Drop Header into Track Holder. Slide track holder lid and tighten set screw to secure header in place.
- 4 Sleeve track holder cover over the track holder fitting.

NOTE: Ensure Header is level. If not, loosen screws holding Mounting Blocks to adjust height.

NOTE: Track Holder Fittings shown orientated for installation. Set Screws at end secure base to Header when installed.



Install Mounting Blocks with oval hole at horizontal. If needed, loosen screws and turn oval to vertical. Move up or down to level Header.

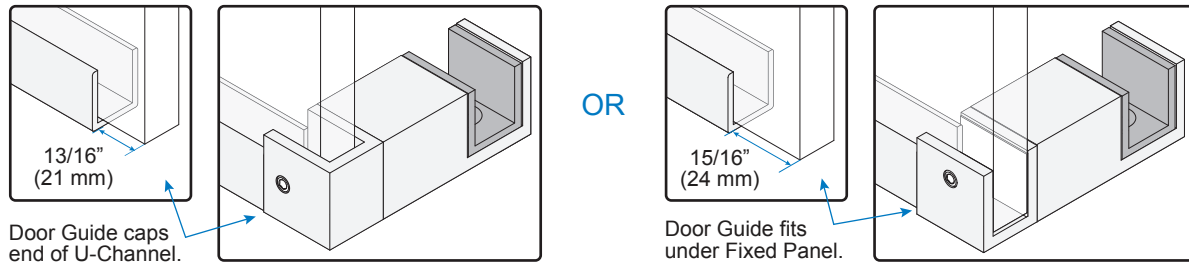


FRAME INSTALLATION (CONTINUED)

Bottom Guide Mounting Options and U-Channel Preparation (Optional)

NOTE: Fixed Panel may be fastened to curb with clamps. Use dimensions shown below to calculate length of U-Channel for each mounting option.

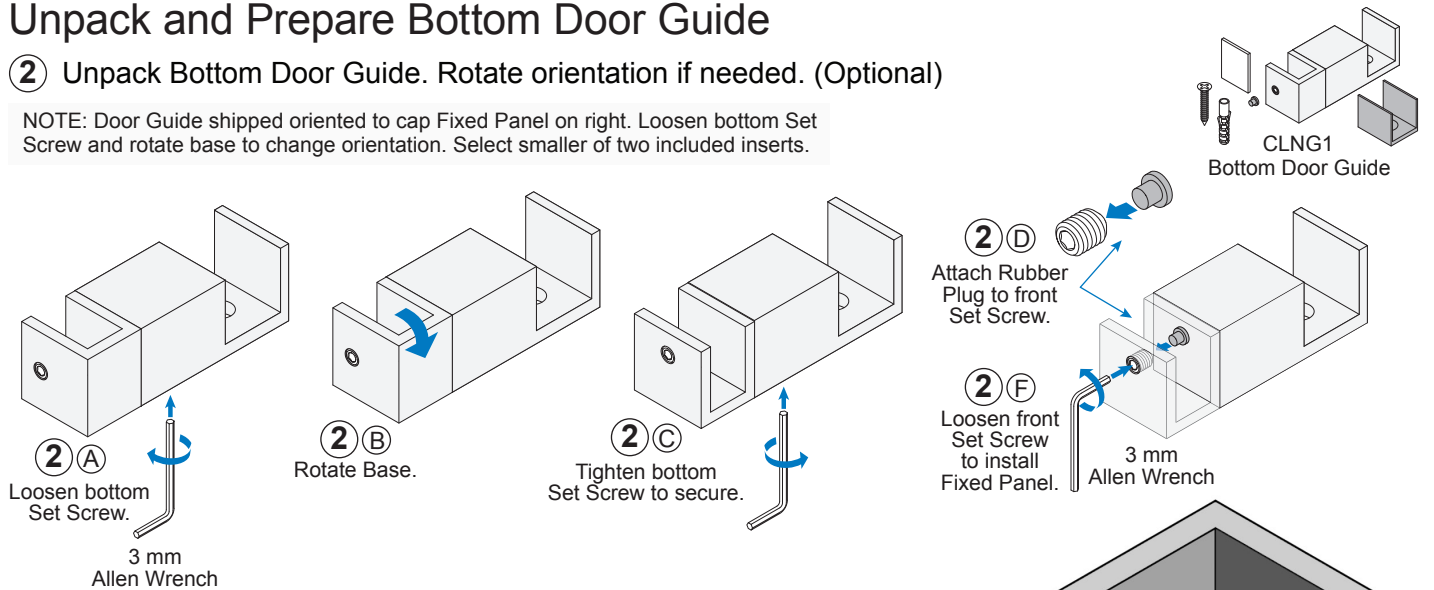
1 Determine Bottom Door Guide mounting option.



Unpack and Prepare Bottom Door Guide

2 Unpack Bottom Door Guide. Rotate orientation if needed. (Optional)

NOTE: Door Guide shipped oriented to cap Fixed Panel on right. Loosen bottom Set Screw and rotate base to change orientation. Select smaller of two included inserts.

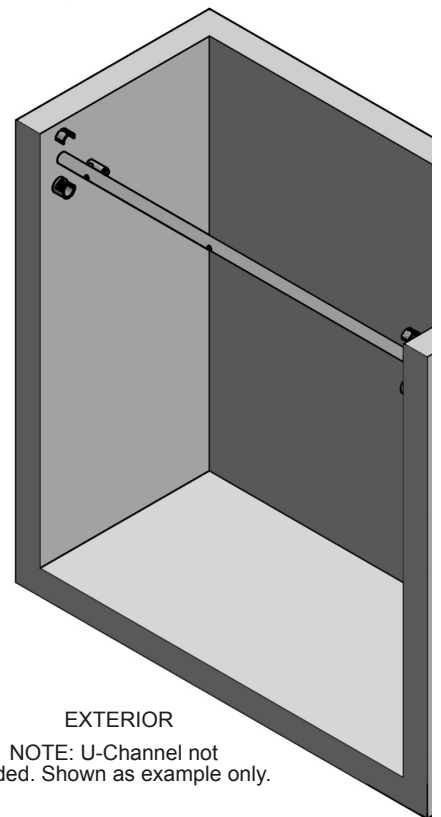


Install Fixed Panel Curb Mounts

3 Mount Clamps or U-Channel on curb.

NOTE: Door Guide installed after Sliding Door is hung. Door Guide positioned under Fixed Panel shown in installation in this manual.

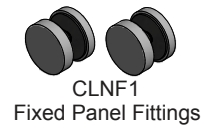
EXTERIOR
NOTE: U-Channel not included. Shown as example only.



FRAME INSTALLATION (CONTINUED)

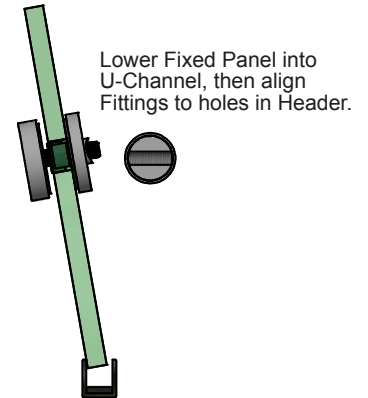
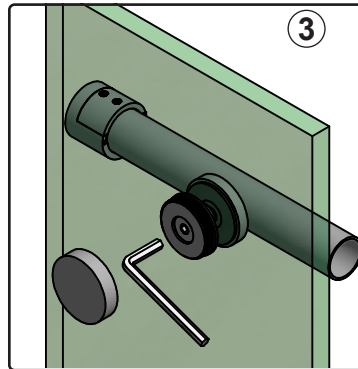
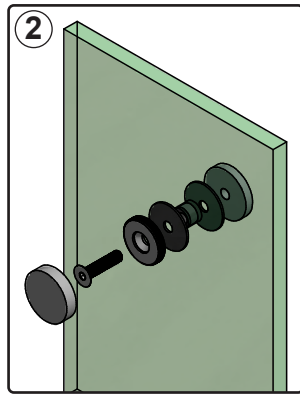
Install Fixed Panels

- ① Unpack and disassemble Fixed Panel Fittings.
- ② Attach Fixed Panel Fittings to Fixed Panel.
- ③ Align Fittings with Grommets in Header Bar. Securely fasten.



NOTE: Screw for 1/2" (12 mm) Glass shown.
Shorter screw used for 3/8" (10 mm) Glass.

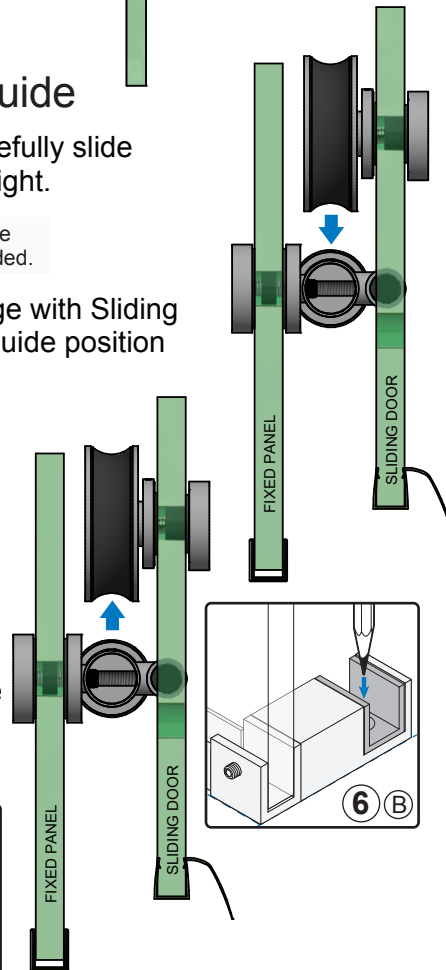
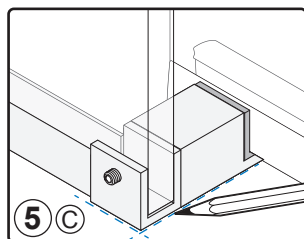
NOTE: If Grommets are not centered, loosen Track Holder Set Screws and rotate Header Bar.



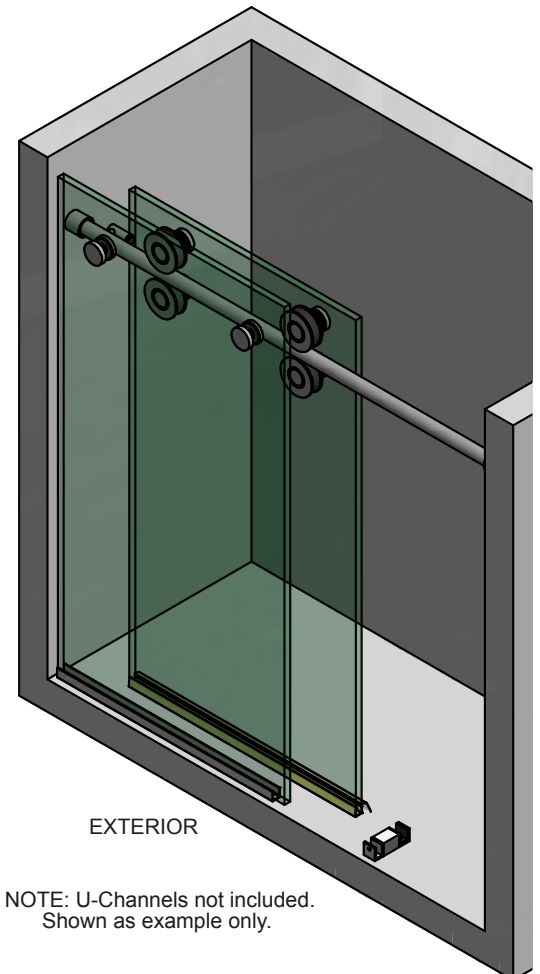
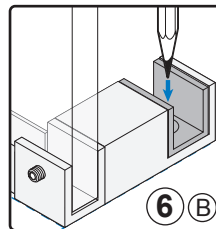
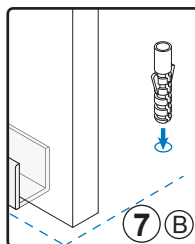
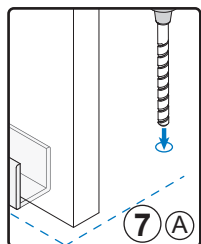
Place Bottom Door Guide

- ④ Hang Sliding Door and carefully slide back and forth to check height.
- ⑤ Place Door Guide to engage with Sliding Door. Close Door, adjust Guide position and outline.

NOTE: See Page 5 to Prepare Door before hanging and to adjust Roller height if needed.



- ⑥ Remove Door to mark hole
- ⑦ Remove Guide. Drill hole and insert anchor.

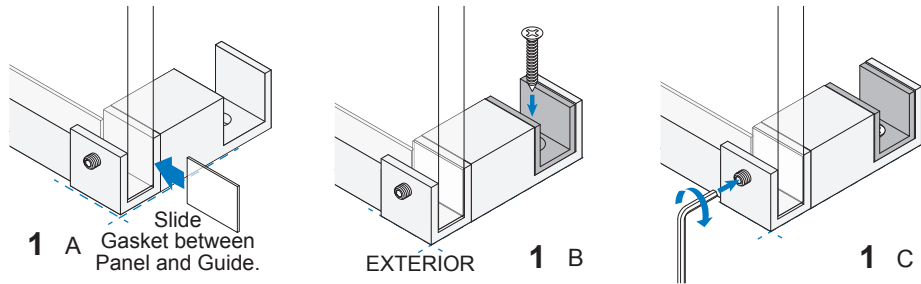


NOTE: U-Channels not included.
Shown as example only.

FRAME INSTALLATION (CONTINUED)

Install Bottom Door Guide

1 Fasten Bottom Door Guide and tighten Set Screw at Fixed Panel.



SLIDING DOOR INSTALLATION

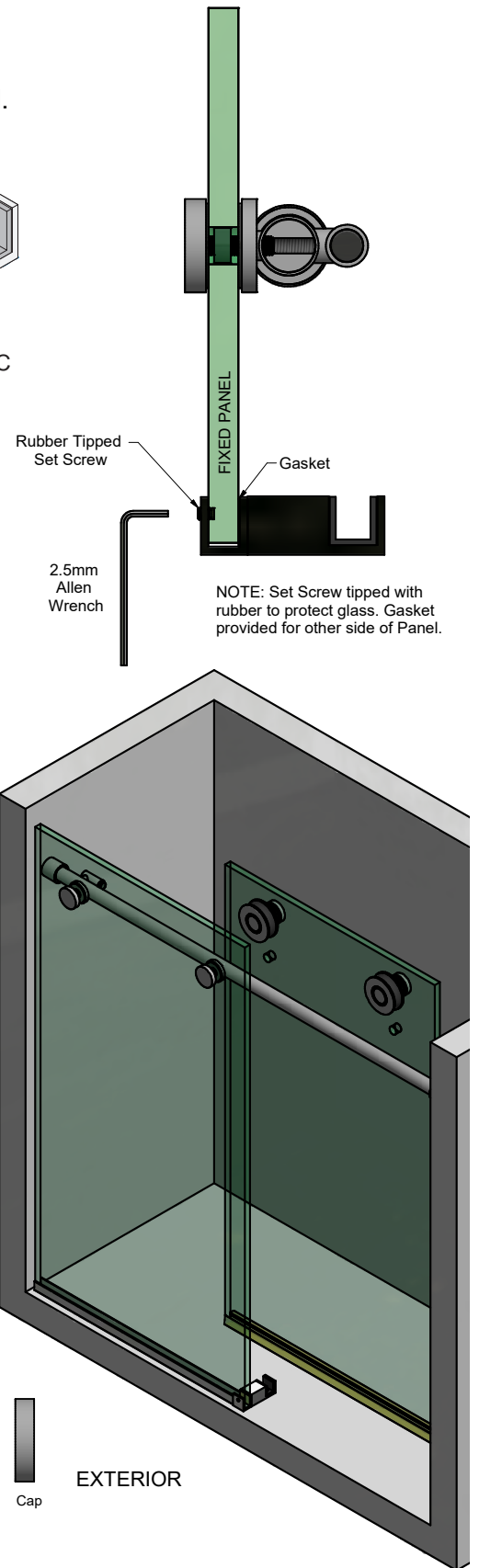
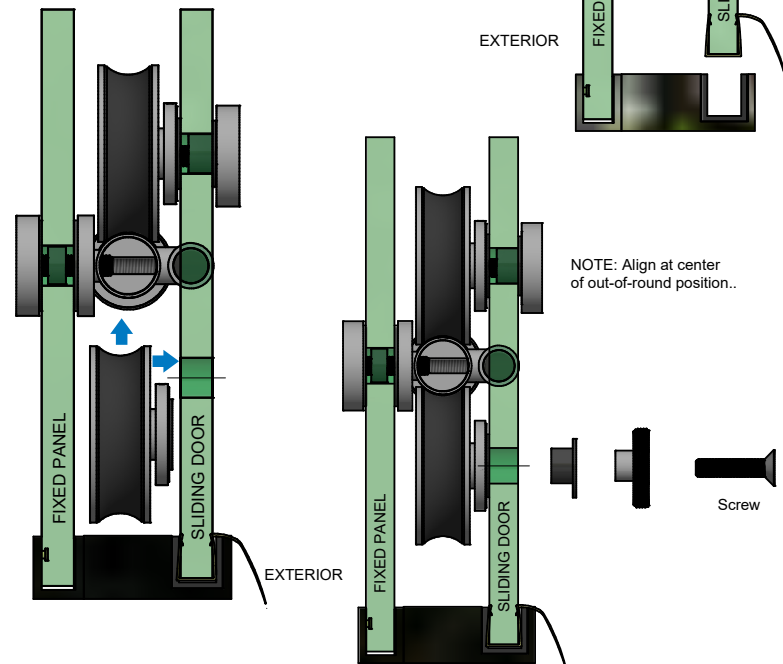
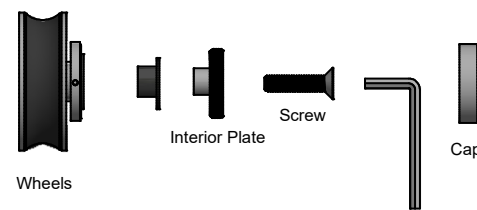
Hang Sliding Door

2 Hang Sliding Door placing Glass inside Bottom Guide.

Install Bottom Rollers

3 Prepare and install Bottom Rollers.

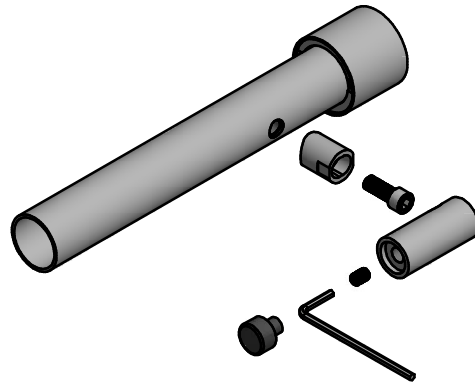
NOTE: See Page 5 before installing Rollers.



Install Stopper



CLNS1
Stopper



Install L-Seal

2 Cut and install L-Seal.

NOTE: Temporarily attach L-Seal to Sliding Door. Use as guide for final position.

