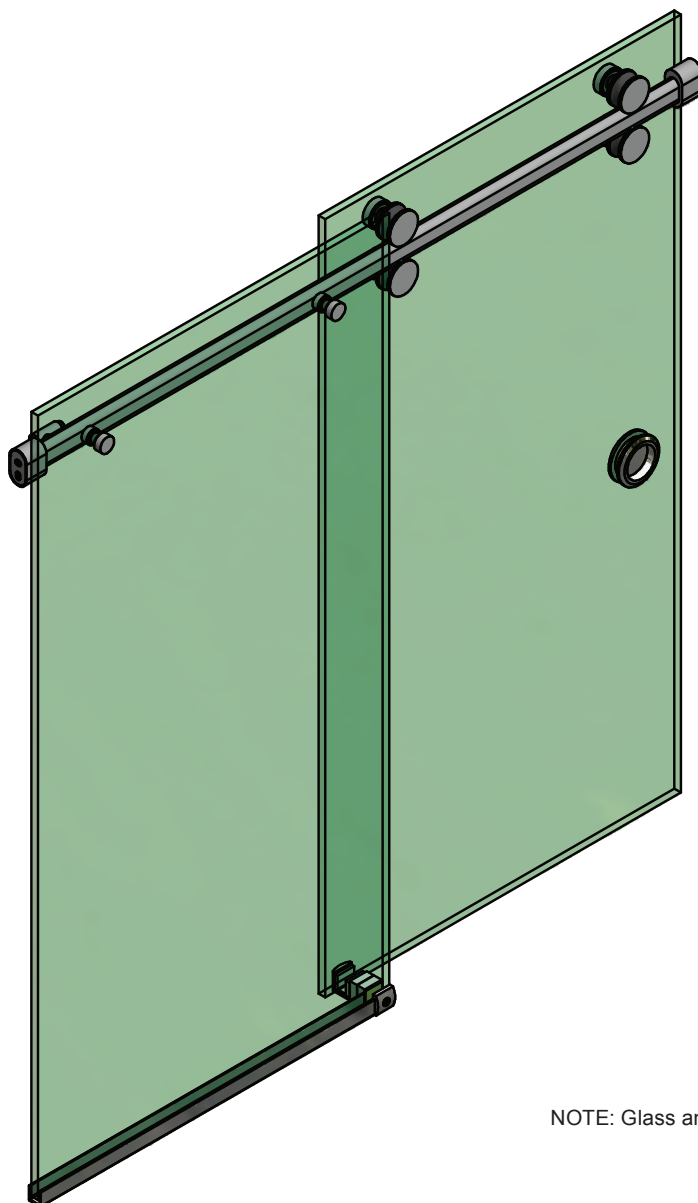


TOFINO SERIES

TFN78 SLIDING DOOR KIT



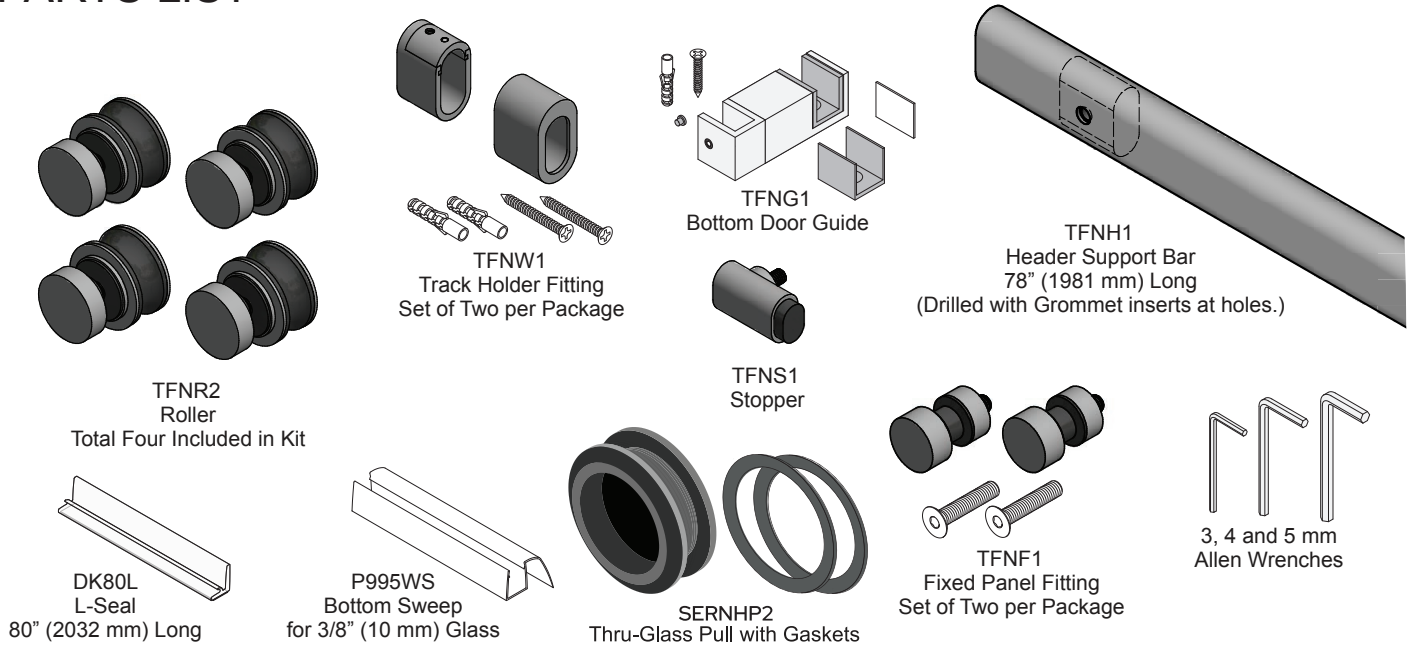
NOTE: Glass and U-Channels not included.

ORDER OF ASSEMBLY AND INSTALLATION

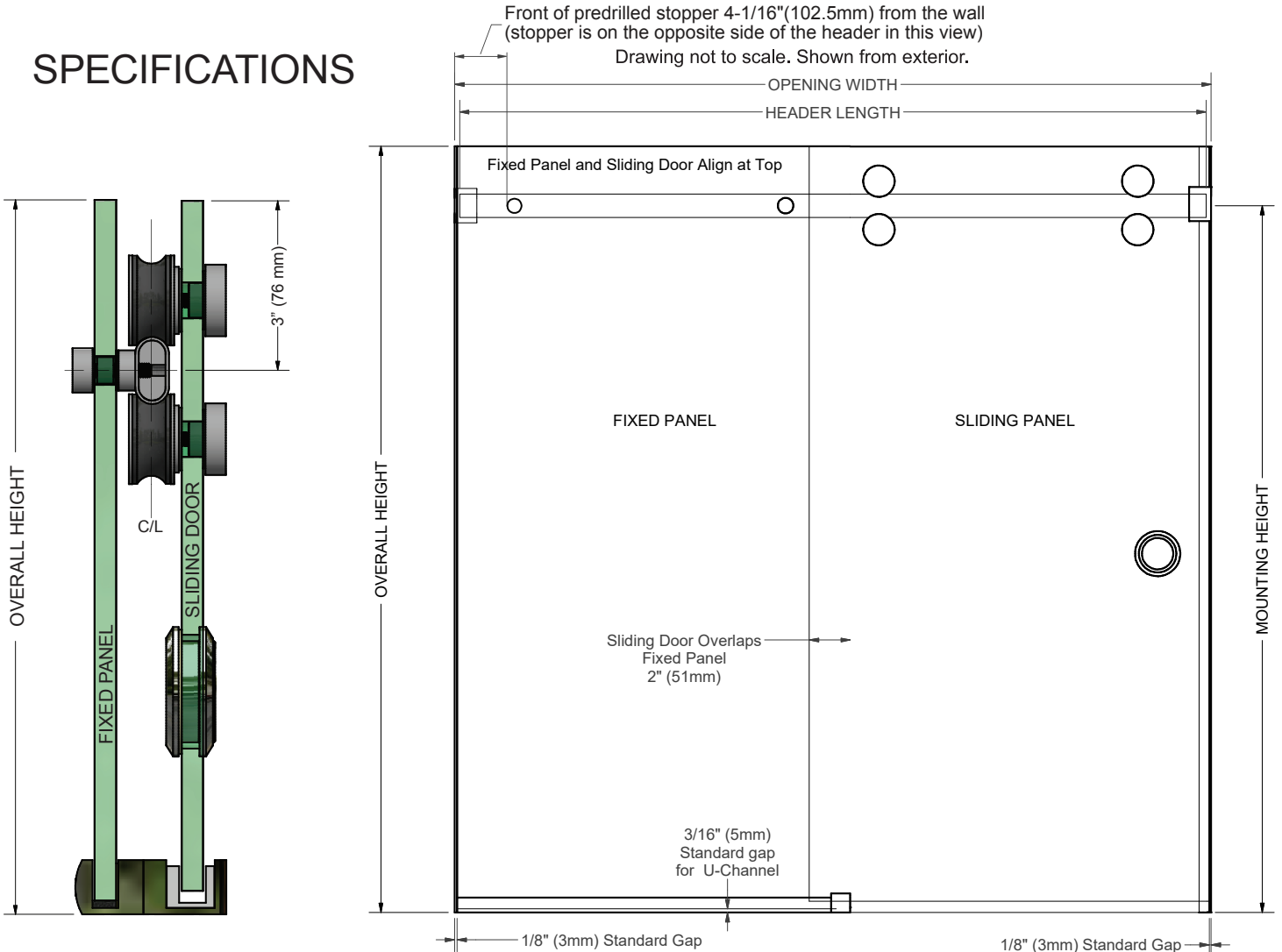
PARTS LIST	3
SPECIFICATIONS	3
GLASS FABRICATION	4
SLIDING DOOR PREPARATION	5
Unpack Rollers	5
Install Top Rollers	5
Install Bottom Sweep	5
SITE PREPARATION	6
Mark Location for Header Support Bar	6
FRAME FABRICATION	6
Prepare Header Bar: Opening Width Greater Than 53-1/4"	6
Prepare Header Bar: Opening Width Less Than 53-1/4"	6
FRAME INSTALLATION	7 - 10
Mount Track Holder Fittings	7
Install Stopper	7
Install Header	7
Bottom Guide Mounting Options and U-Channel Preparation (Optional)	8
Unpack and Prepare Bottom Door Guide	8
Install Fixed Panel Curb Mounts	8
Install Fixed Panels	9
Place Bottom Door Guide	9
Install Bottom Door Guide	10
SLIDING DOOR INSTALLATION	10
Hang Sliding Door	10
Install Bottom Rollers	10
FINISHING	11
Adjust Stopper Position	11
Install L-Seal	11

IMPORTANT: READ THIS MANUAL THOROUGHLY BEFORE BEGINNING INSTALLATION.

PARTS LIST

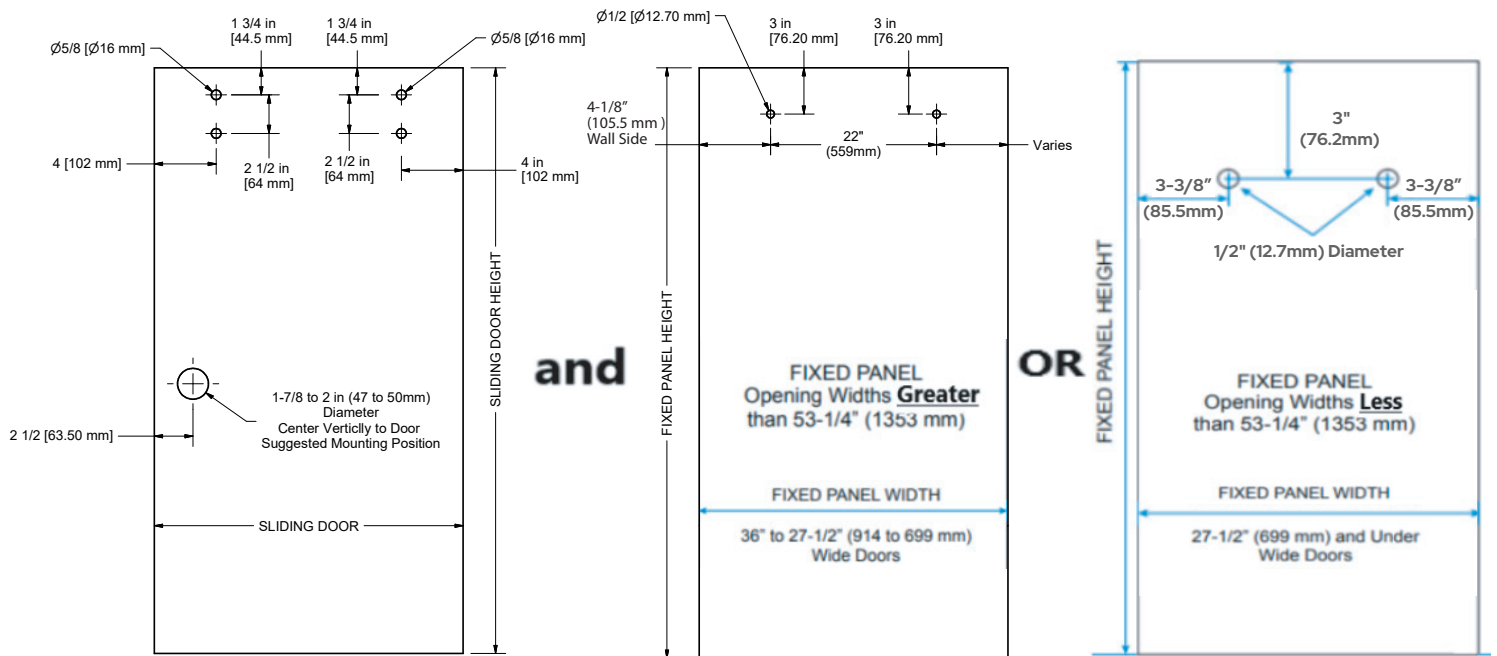


SPECIFICATIONS



GLASS FABRICATION

NOTE: For use with 5/16" to 3/8" (8 - 10 mm) Tempered Glass only. Do Not use Laminated Glass.

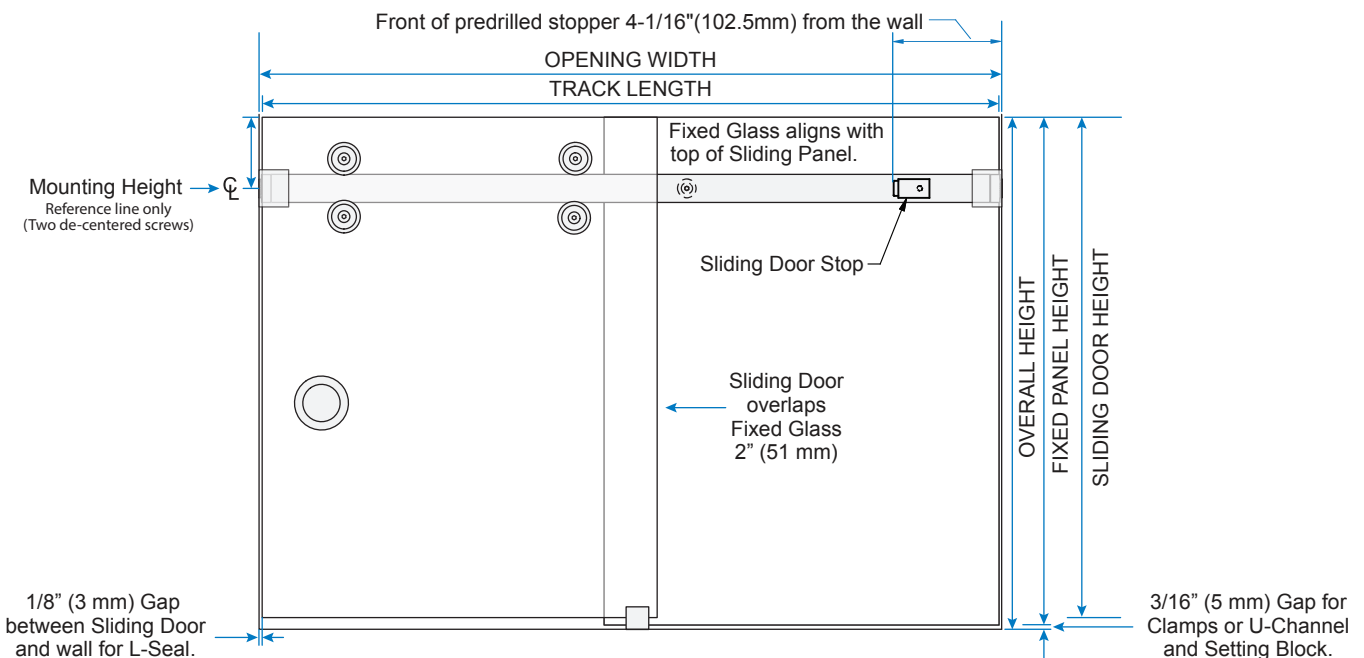


SLIDING DOOR AND FIXED PANEL WIDTH : Overall Width Divided by 2, plus 7/8" (22 mm)

FIXED PANEL HEIGHT : Overall Height minus 3/16" (5 mm)

SLIDING DOOR HEIGHT : Overall Height minus 5/16" (8 mm)

NOTE: Predrilled end of stopper projects 4-1/16"(102.5mm) from the wall



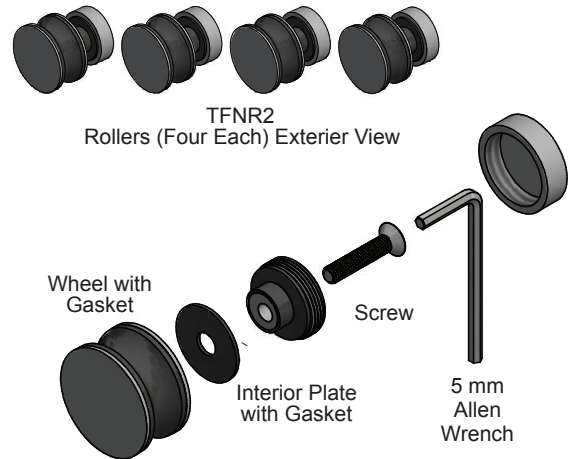
NOTE: Drawings not shown to scale. Track is cut 3/8" (10 mm) less than Opening Width and centered in opening. Overall Height is height from curb/floor to top of glass. Drawings shown from interior with Bottom Door Guide cupping Fixed panel. See Page 8 for Guide mounting options.

SLIDING DOOR PREPARATION

Unpack Rollers

- 1 Unpack and partially disassemble two sets of Rollers.

NOTE: Rollers shipped assembled.
5 mm Allen Wrench included.



Install Top Rollers

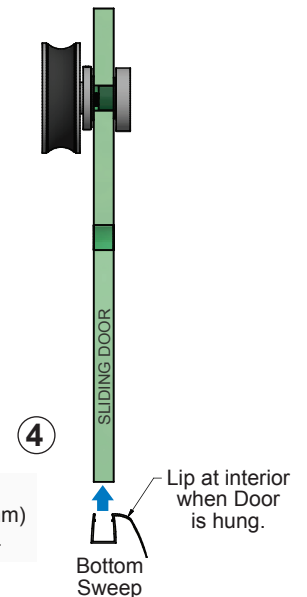
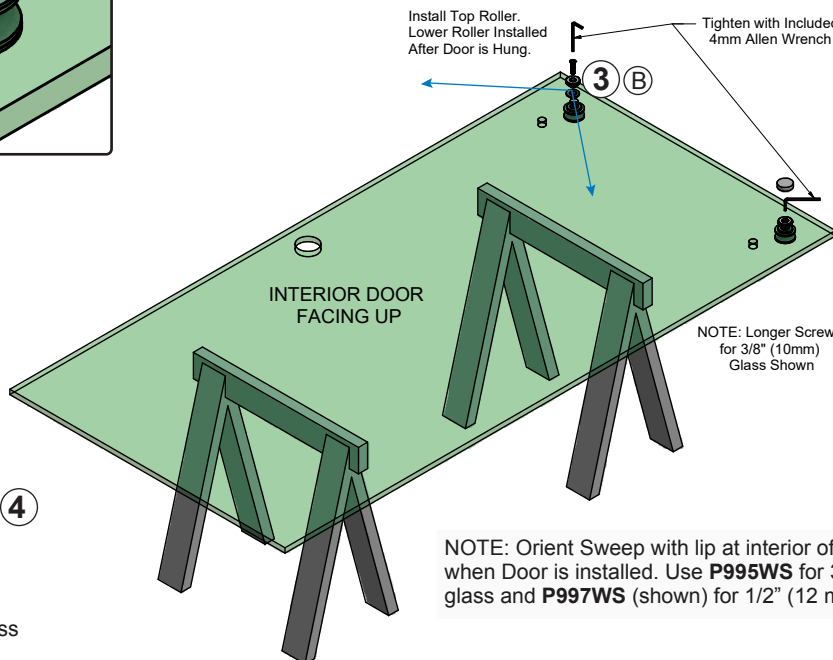
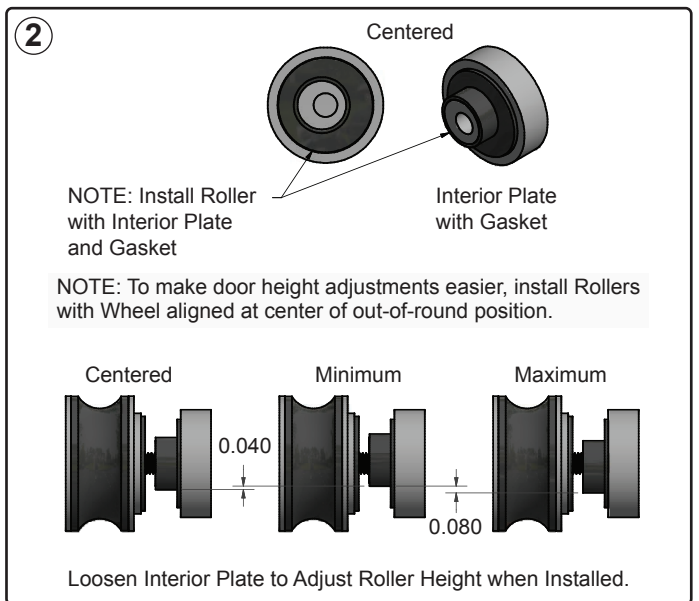
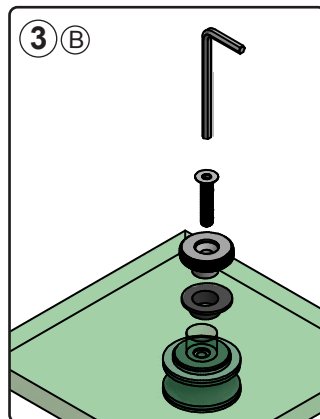
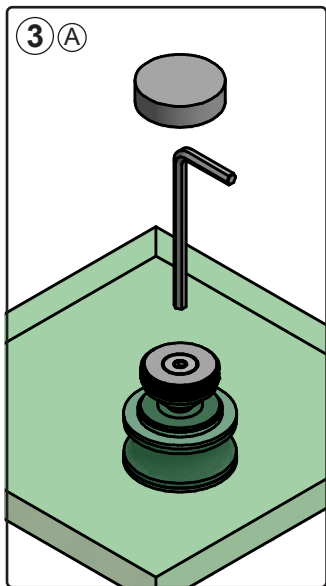
- 2 Adjust wheel height.
- 3 Install Top Rollers on Sliding Door.

NOTE: Lower Rollers are installed after door is hung. See Page 10.

Install Bottom Sweep

- 4 Cut Bottom Sweeps to door width and fit on the bottom of door.

NOTE: Select one of two sizes of included Sweeps.



P997WS
Bottom Sweep
Shown
Use **P995WS**
for 3/8" (10 mm) Glass

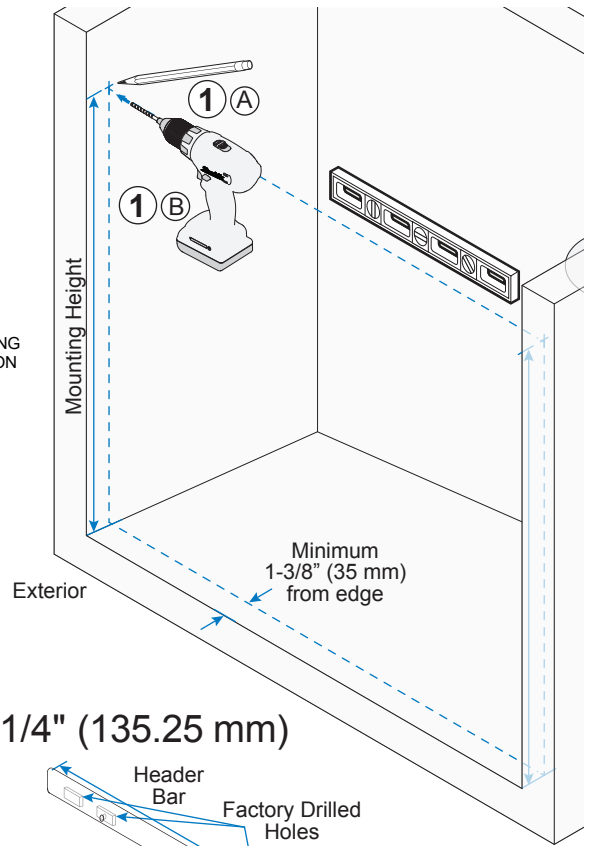
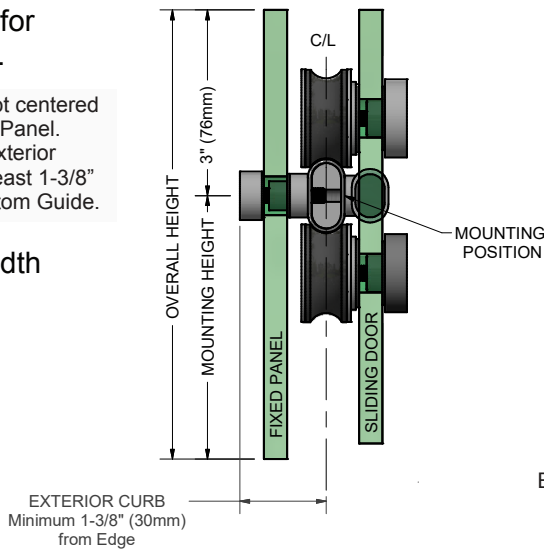
SITE PREPARATION

Mark Location for Header Support Bar

- 1 Mark and drill holes for Header Support Bar.

NOTE: Header Support Bar is not centered between Sliding Door and Fixed Panel. When installing Fixed Panel to exterior (traditional placement) allow at least 1-3/8" (35 mm) from edge to install Bottom Guide.

- 2 Measure opening width at mounting points.

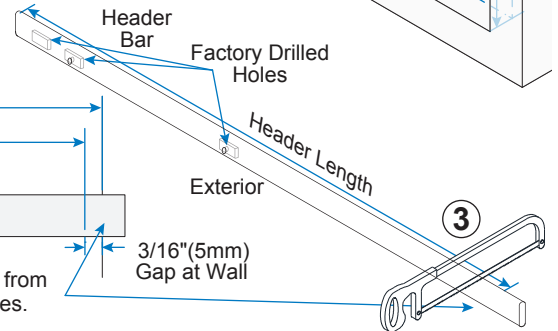
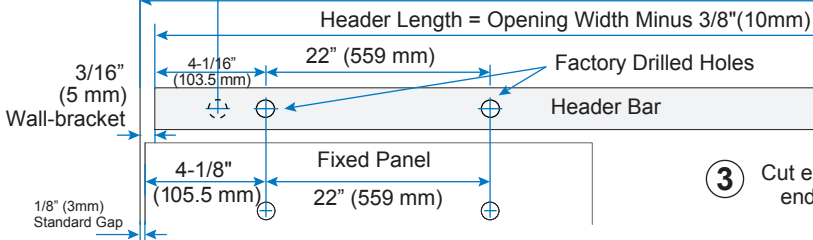


FRAME FABRICATION

Prepare Header Bar: Opening Width Greater Than 53-1/4" (135.25 mm)

- 3 Cut TFNH1 Header Bar from end without holes.

Front of predrilled stopper 4-1/16" (102.5mm) from the wall,
 Stopper hole from edge of header 2-11/16" (68 mm)
 Opening Width Greater Than 53-1/4" (135.25mm)



- 3 Cut excess length from end Without Holes.

NOTE: Header Support Bar is cut 3/8" (10 mm) short from tight dimension and centered in opening.

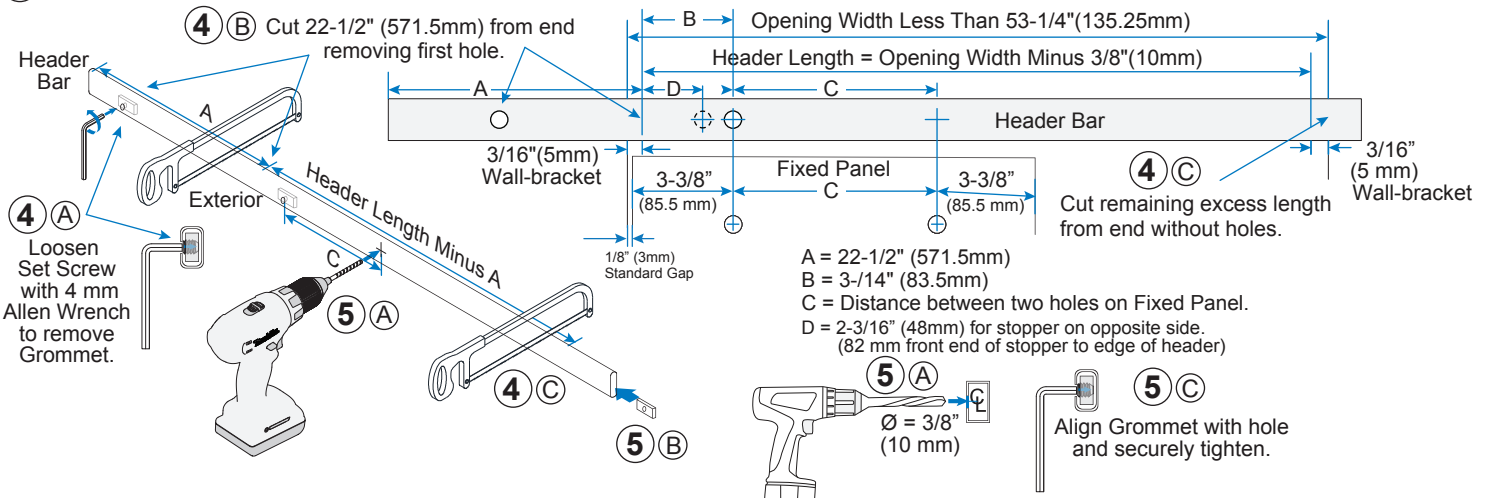
NOTE: Header Bar is made of stainless steel. Use hacksaw or special cutting tool.

Prepare Header Bar: Opening Width Less Than 53-1/4" (135.25 mm)

- 4 Cut excess length from TFNH1 Header Bar from both ends.

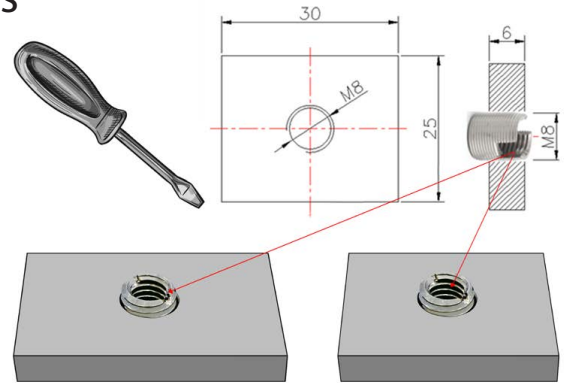
NOTE: Remove Grommet at first hole before cutting. (Details about grommets and set screws, please see next page)
 Header Bar is made of stainless steel. Use hacksaw or special cutting tool.

- 5 Drill second hole for Fixed Panel Fitting and reinstall Grommet. (Details about grommets and set screws, please see next page)



Details for grommet inserts and set screws for position 4 and 5 from previous page

Use slotted head screw driver to take out the set screw with slot, then slide the square insert with thread out of the header bar. Slide inserts back into the header and position them under the newly drilled hole. Screw set screws back into the inserts and tighten them accordingly to fixate insert in position.



FRAME INSTALLATION

Mount Track Holder Fittings

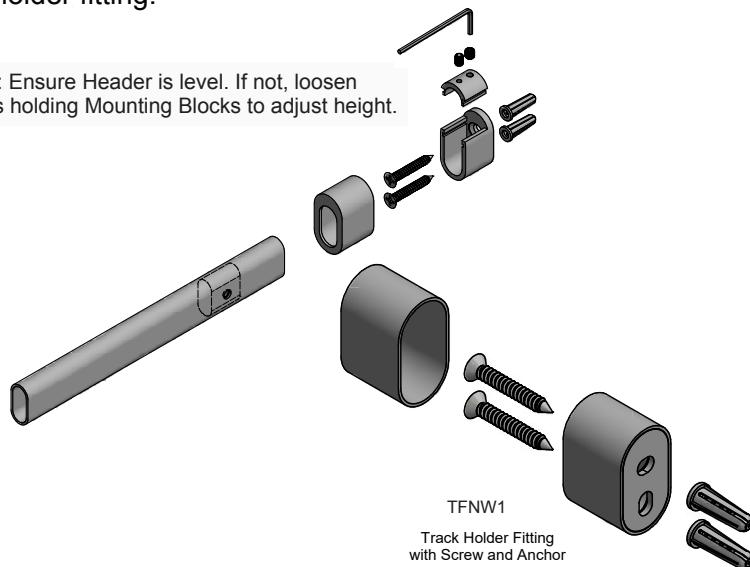
- 1 Unpack Track Holder Fittings. Loosen Set Screws.
- 2 Fasten Mounting Blocks to wall.

Install Header

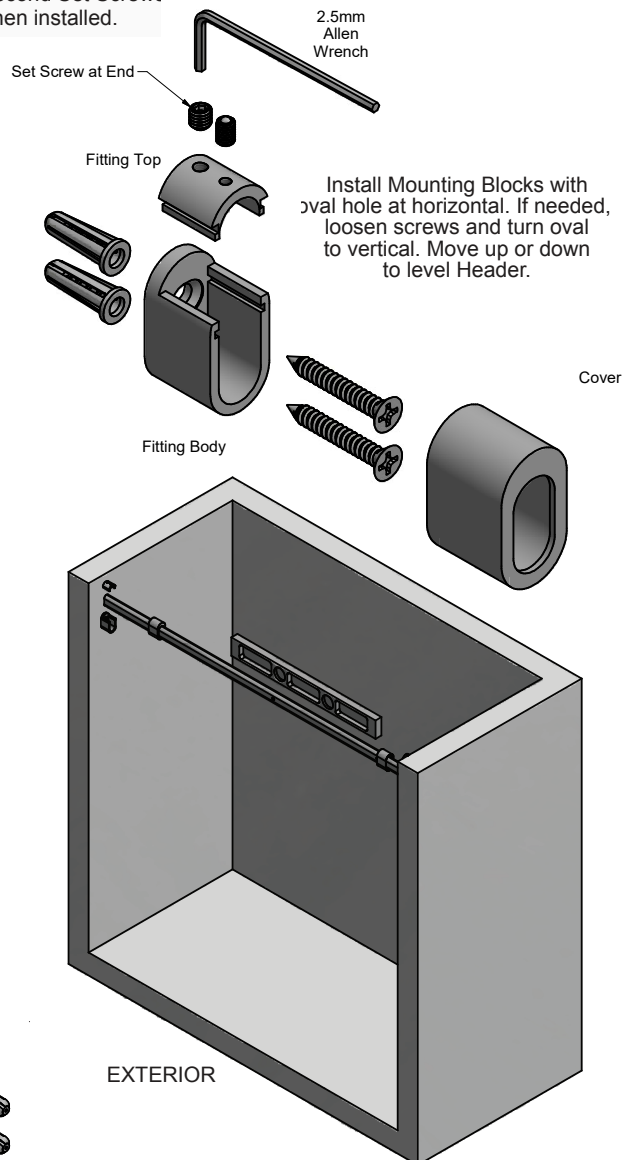
NOTE: Orient Stopper with Rubber Bumpers facing center and Track Holder Fittings with rounded end facing center.

- 3 Drop Header into Track Holder. Slide track holder lid and tighten set screw to secure header in place.
- 4 Sleeve track holder cover over the track holder fitting.

NOTE: Ensure Header is level. If not, loosen screws holding Mounting Blocks to adjust height.



NOTE: Track Holder Fittings shown orientated for installation. Set Screws at end hold Base to Mounting Block while second Set Screw secure Base to Header when installed.

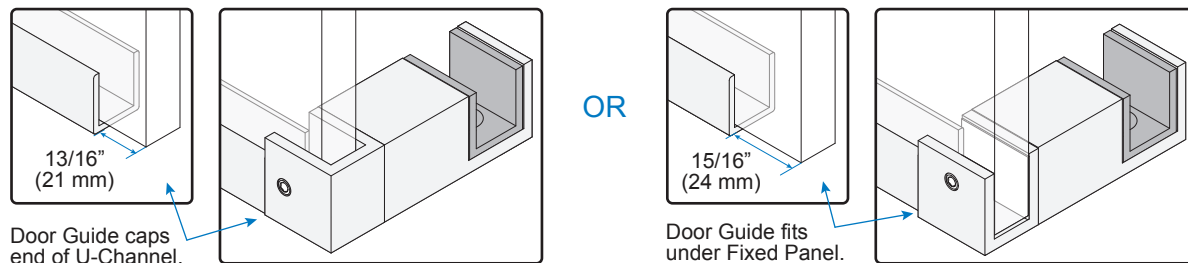


FRAME INSTALLATION (CONTINUED)

Bottom Guide Mounting Options and U-Channel Preparation (Optional)

NOTE: Fixed Panel may be fastened to curb with clamps. Use dimensions shown below to calculate length of U-Channel for each mounting option.

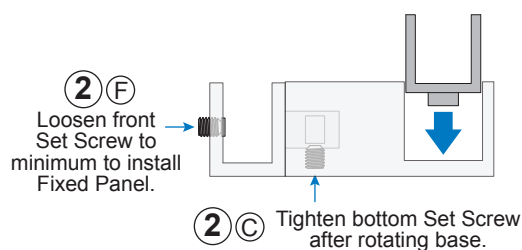
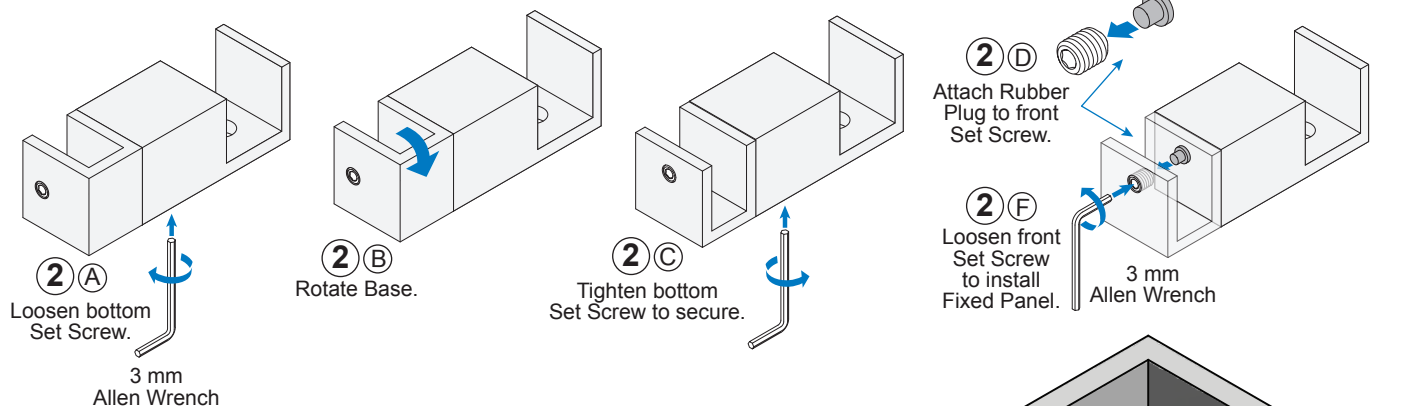
1 Determine Bottom Door Guide mounting option.



Unpack and Prepare Bottom Door Guide

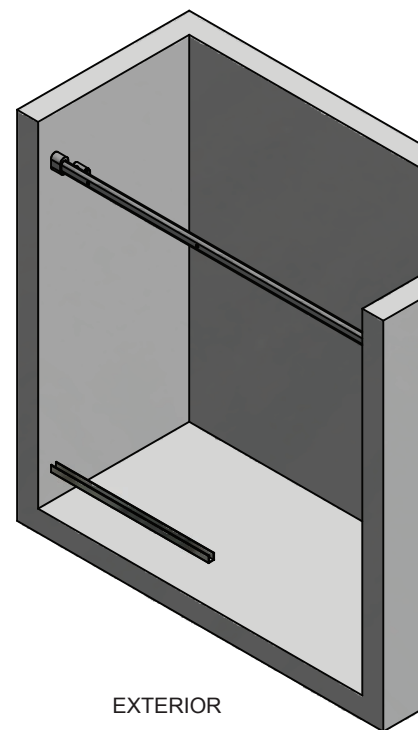
2 Unpack Bottom Door Guide. Rotate orientation if needed. (Optional)

NOTE: Door Guide shipped oriented to cap Fixed Panel on right. Loosen bottom Set Screw and rotate to change orientation. Select smaller of two included inserts.



3 Mount Clamps or U-Channel on curb.

NOTE: Door Guide installed after Sliding Door is hung. Door Guide positioned under Fixed Panel shown in installation in this manual.

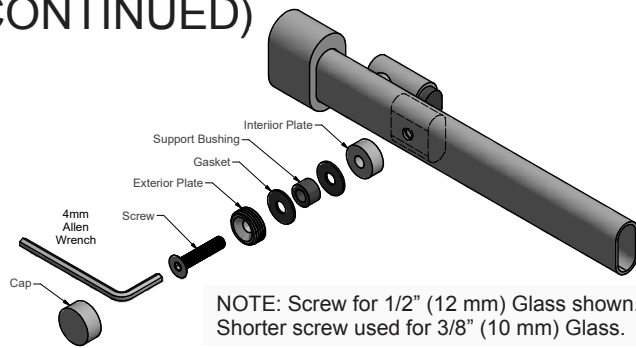


NOTE: U-Channel not included. Shown as example only.

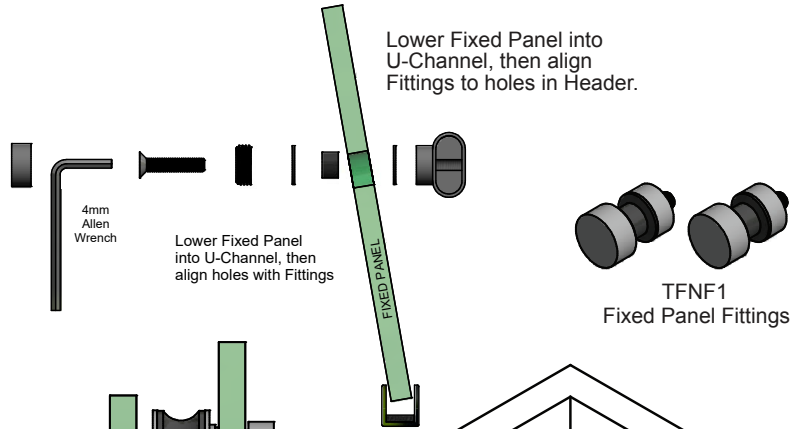
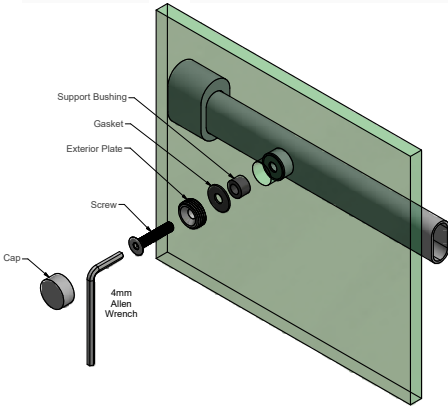
FRAME INSTALLATION (CONTINUED)

Install Fixed Panels

- 1 Unpack and disassemble Fixed Panel Fittings.
- 2 Attach Fixed Panel Fittings to Fixed Panel.
- 3 Align Fittings with Grommets in Header Bar. Securely fasten.



NOTE: If Grommets are not centered, loosen Track Holder Set Screws and rotate Header Bar.

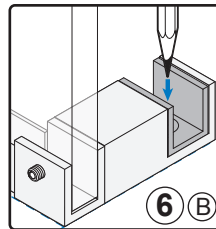
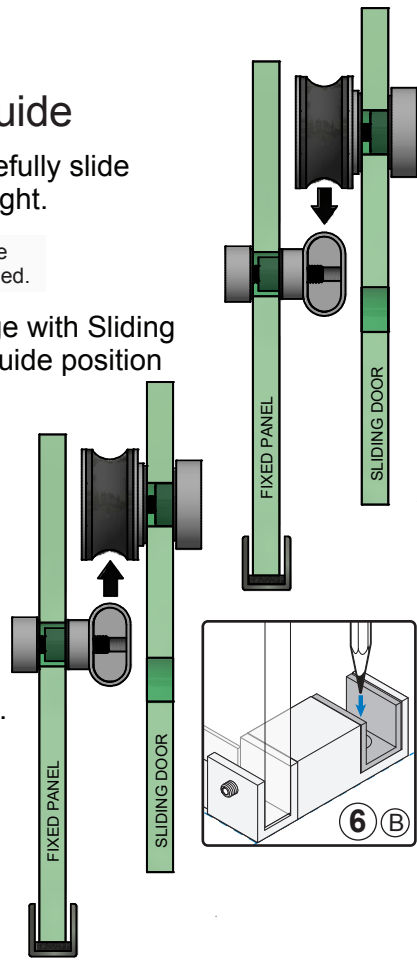
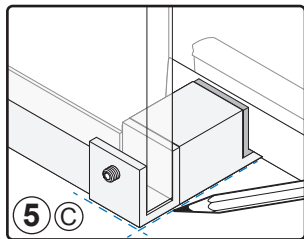


Place Bottom Door Guide

- 4 Hang Sliding Door and carefully slide back and forth to check height.

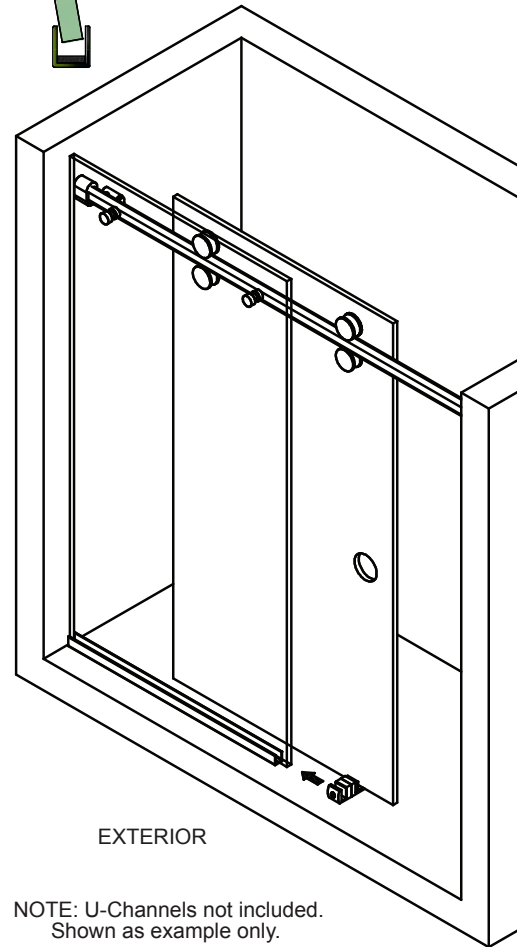
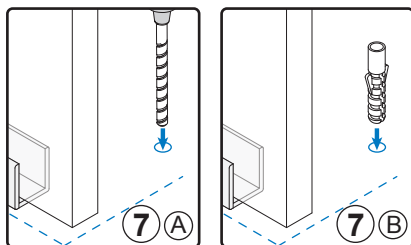
NOTE: See Page 5 to Prepare Door before hanging and to adjust Roller height if needed.

- 5 Place Door Guide to engage with Sliding Door. Close Door, adjust Guide position and outline.



- 6 Remove Door to mark hole.

- 7 Remove Guide. Drill hole and insert anchor.

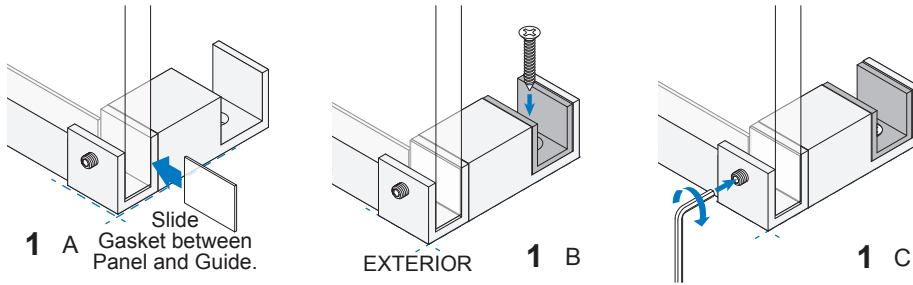


NOTE: U-Channels not included. Shown as example only.

FRAME INSTALLATION (CONTINUED)

Install Bottom Door Guide

1 Fasten Bottom Door Guide and tighten Set Screw at Fixed Panel.



SLIDING DOOR INSTALLATION

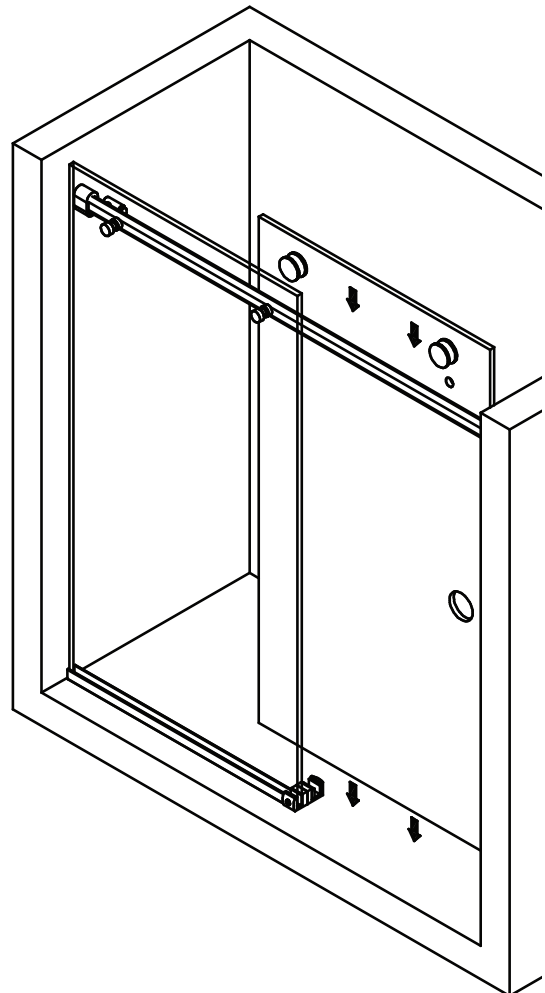
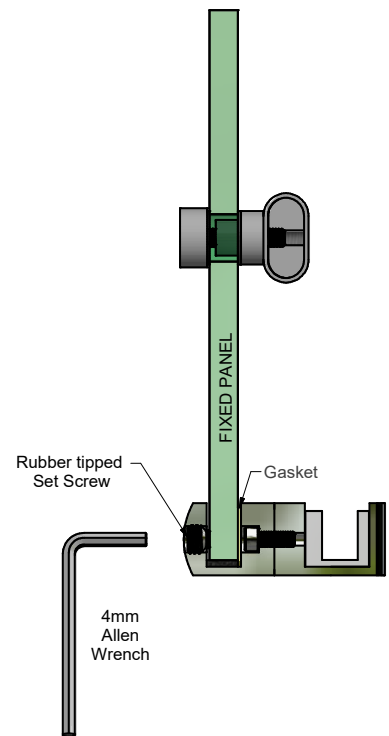
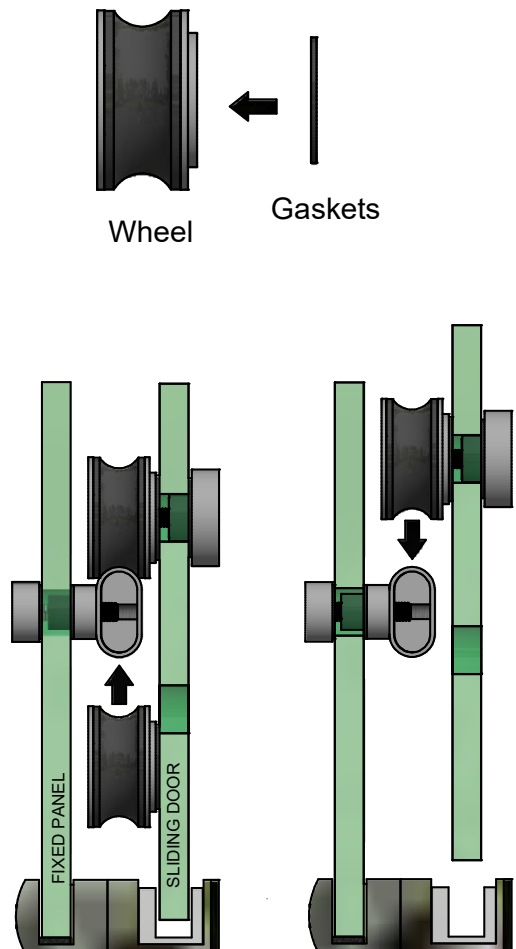
Hang Sliding Door

2 Hang Sliding Door placing Glass inside Bottom Guide.

Install Bottom Rollers

3 Prepare and install Bottom Rollers.

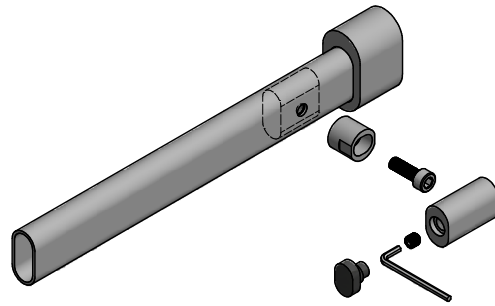
NOTE: See Page 5 before installing Rollers.



Install Stopper



TFNS1
Stopper



FINISHING

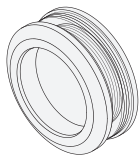
Unpack and Install Thru-Glass Pull

- 1 Unscrew Thru-Glass Pull. Separate Cover from Base, select combination of gaskets, and reassemble on Sliding Glass Door.

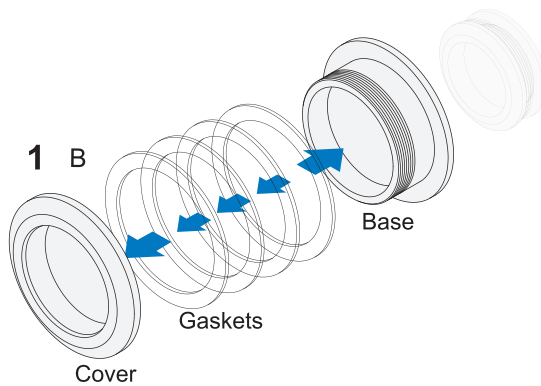
NOTE: Three pairs of Gaskets in various widths included. Select one gasket or combine several to obtain desired thickness. Place on each side of glass so Pull is snug.



1 A

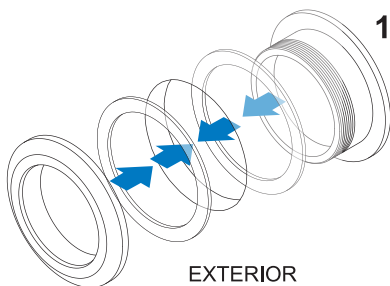


1 B

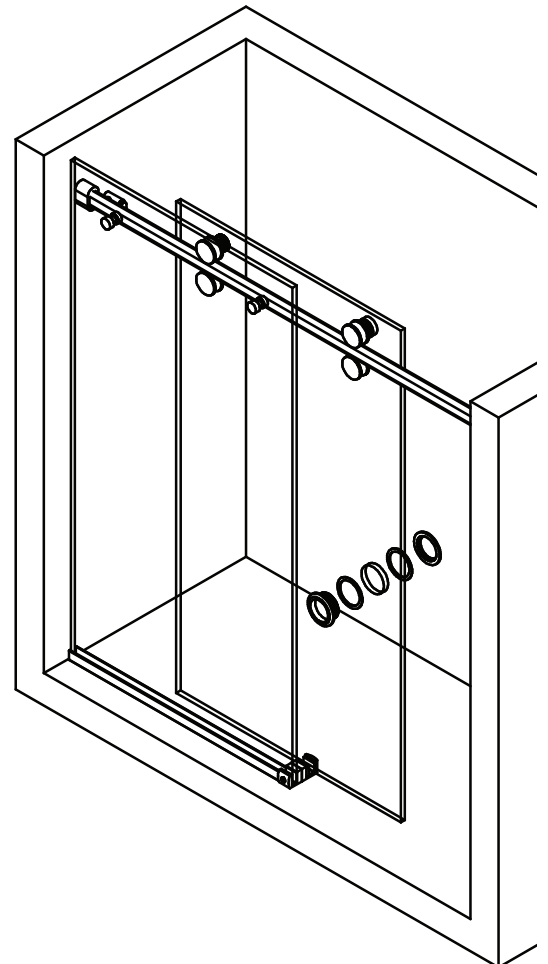
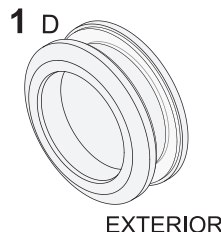


Hold Base while turning Cover counter-clockwise to loosen and clockwise to tighten.

1 C

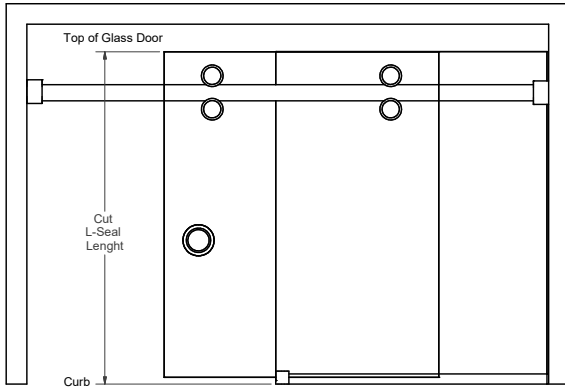


1 D

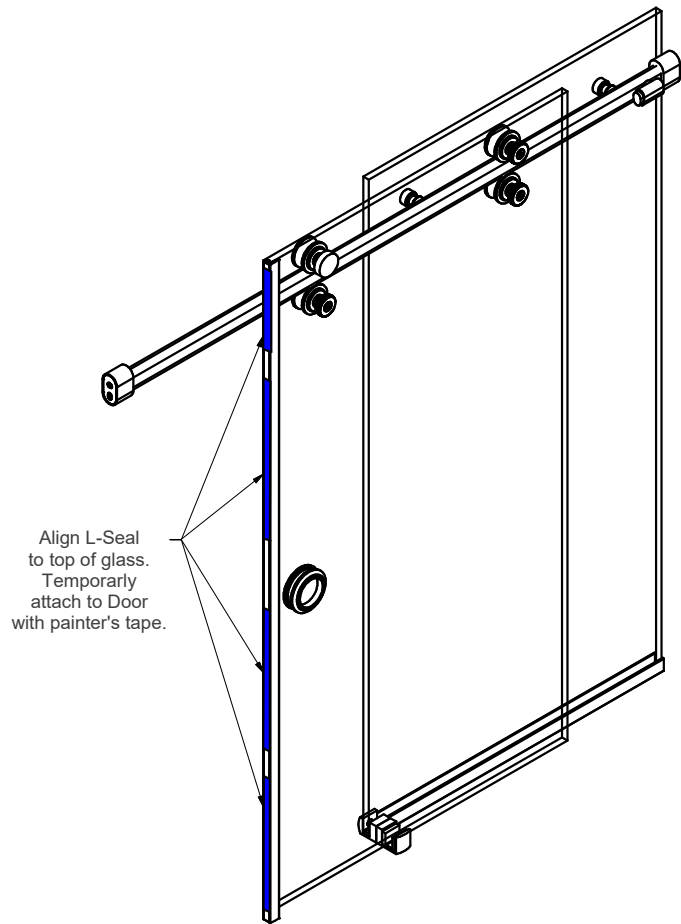


Install L-Seal

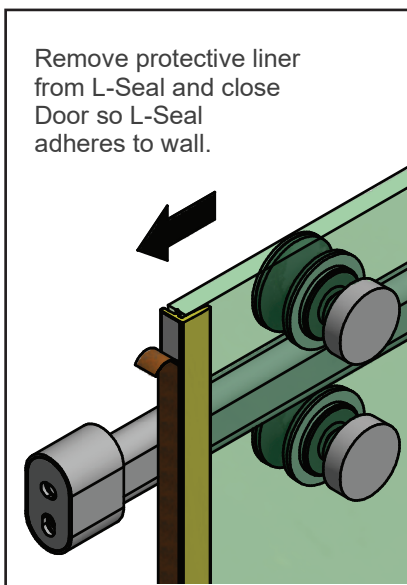
2 Cut and install L-Seal.



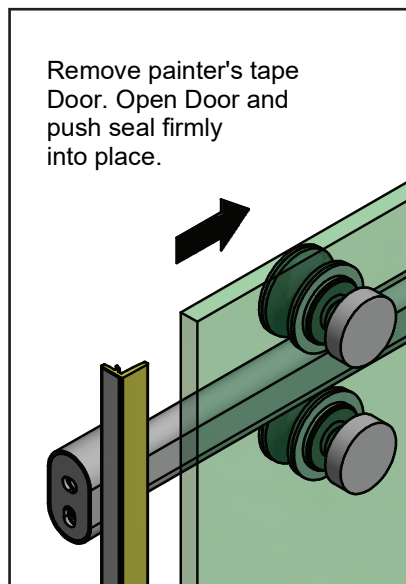
VIEW FROM INTERIOR



NOTE: Temporarily attach L-Seal to Sliding Door. Use as guide for final position.



INTERIOR



INTERIOR

