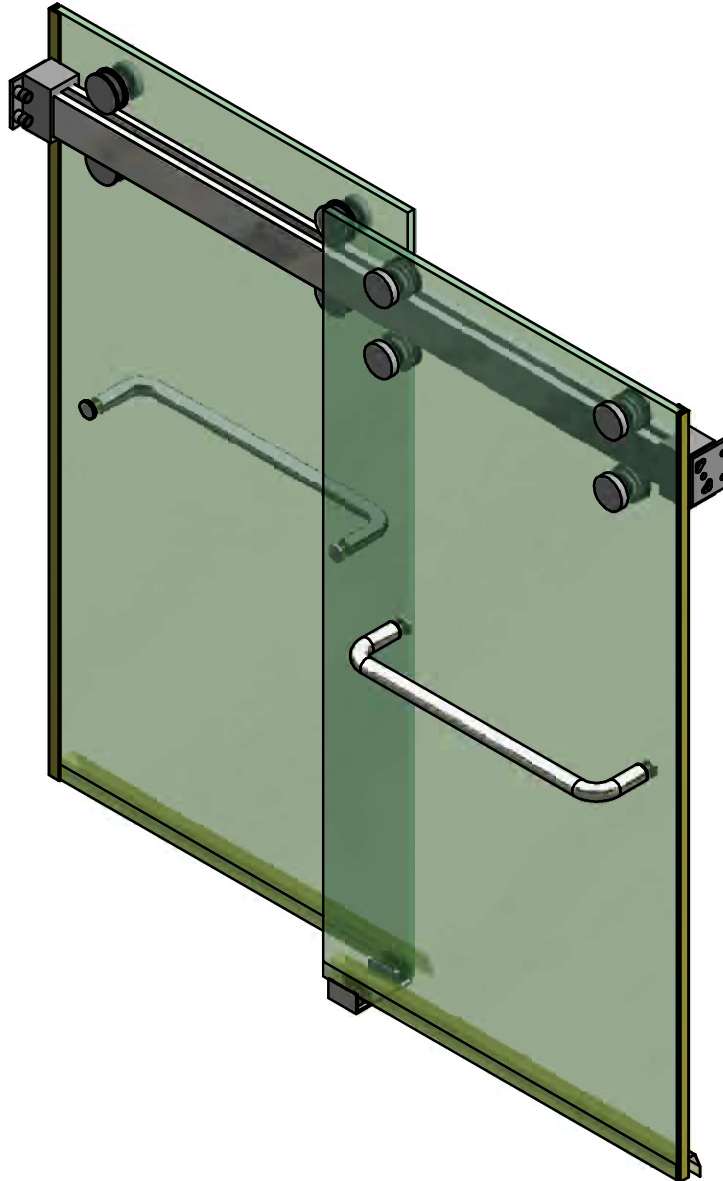


CRL BRIKEN SERIES BRX73 BYPASS SLIDING DOOR KIT



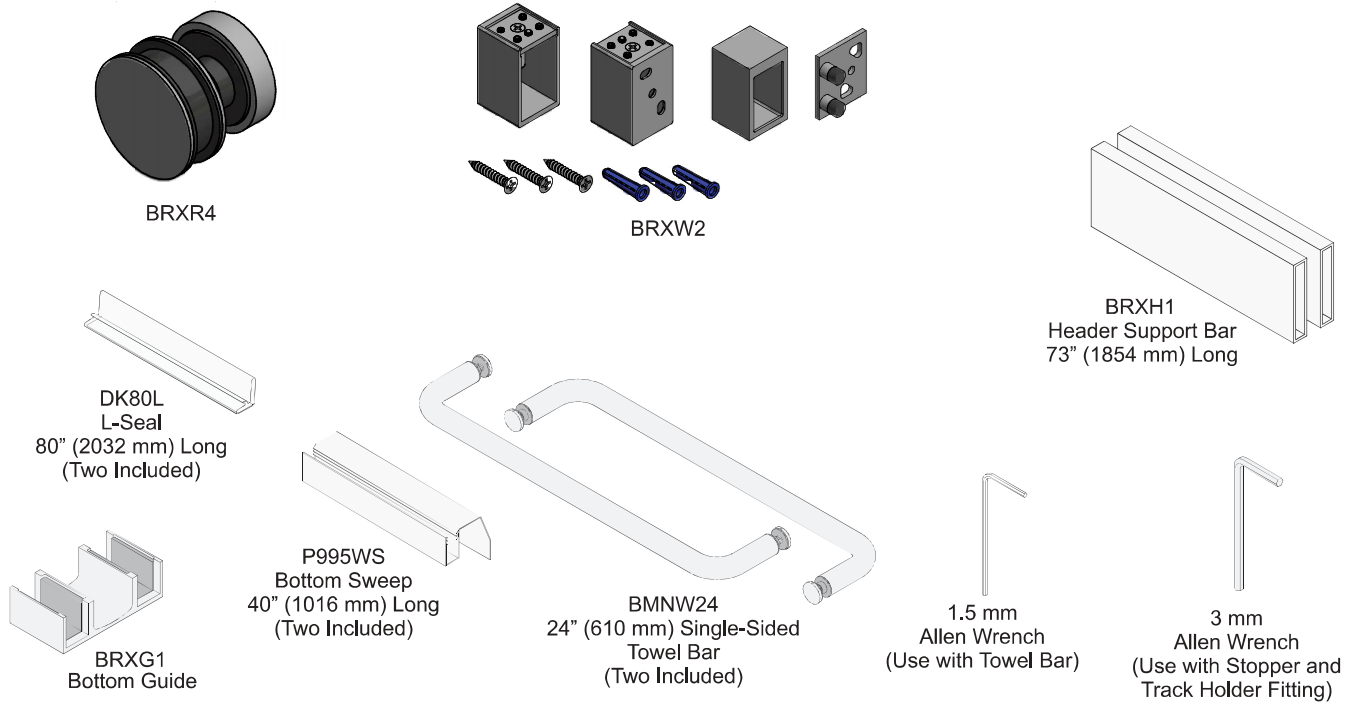
NOTE: Glass not included.

ORDER OF ASSEMBLY AND INSTALLATION

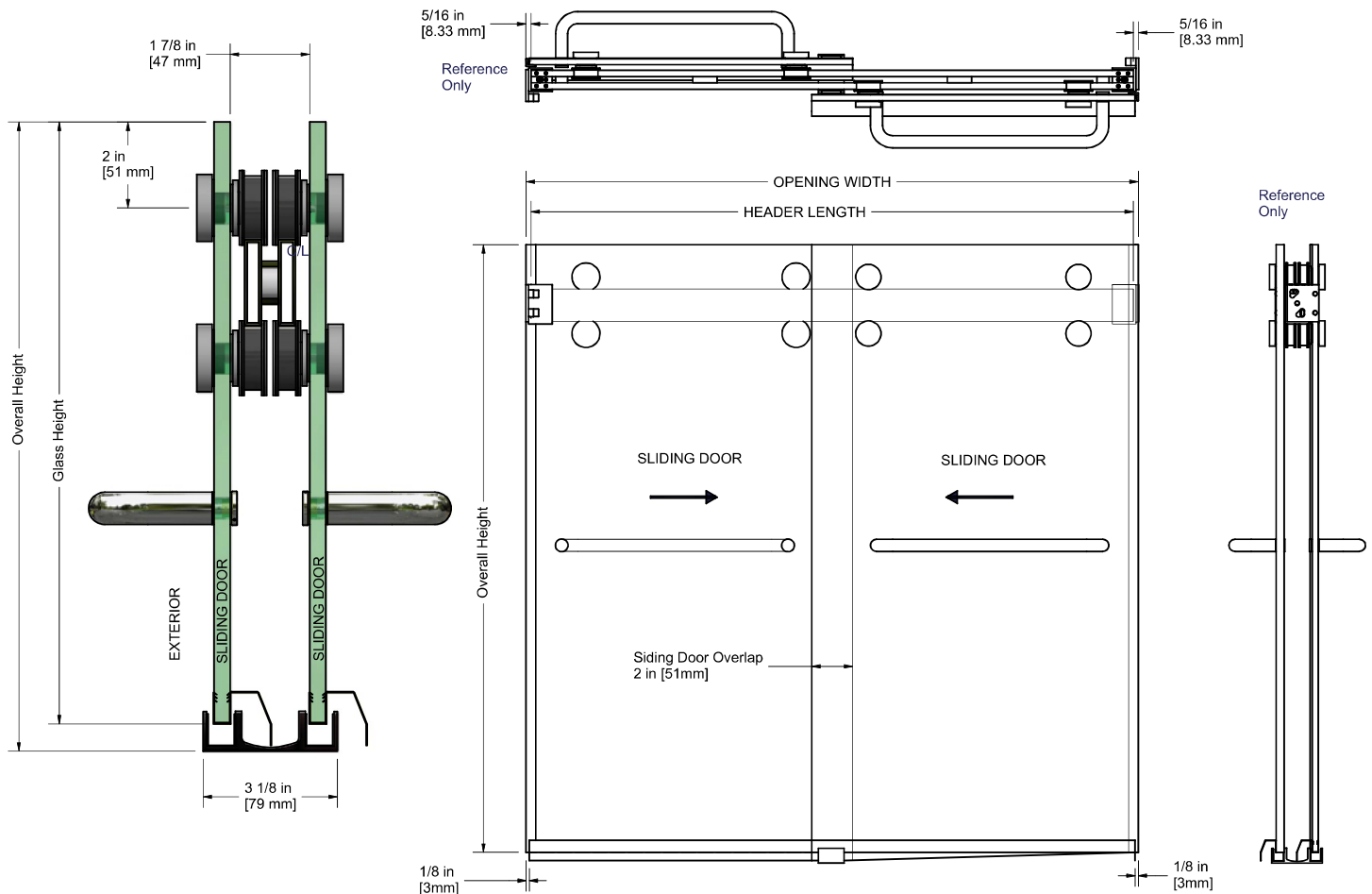
PARTS LIST	3
SPECIFICATIONS	3
GLASS FABRICATION	4
SLIDING DOOR PREPARATION	5
Unpack Rollers	5
Install Top Rollers	5
Install Bottom Sweep	5
SITE PREPARATION	6
Prepare for Header Support Bar	6
FRAME FABRICATION	6
Cut Header Support Bar	6
FRAME INSTALLATION	7
Mount Track Holder Fittings	7 - 8
Install Door Stoppers	7
Install Header	7
Hang Sliding Doors	8
Install Bottom Door Guide	8
SLIDING DOOR INSTALLATION	9
Hang One Sliding Door	9
Install Bottom Rollers	9
Install Second Door	9
Position and Secure Door Stops	9
FINISHING	10 - 11
Unpack and Install Thru-Glass Pull	10
Install L-Seal	11

IMPORTANT: READ THIS MANUAL THOROUGHLY BEFORE BEGINNING INSTALLATION.

PARTS LIST

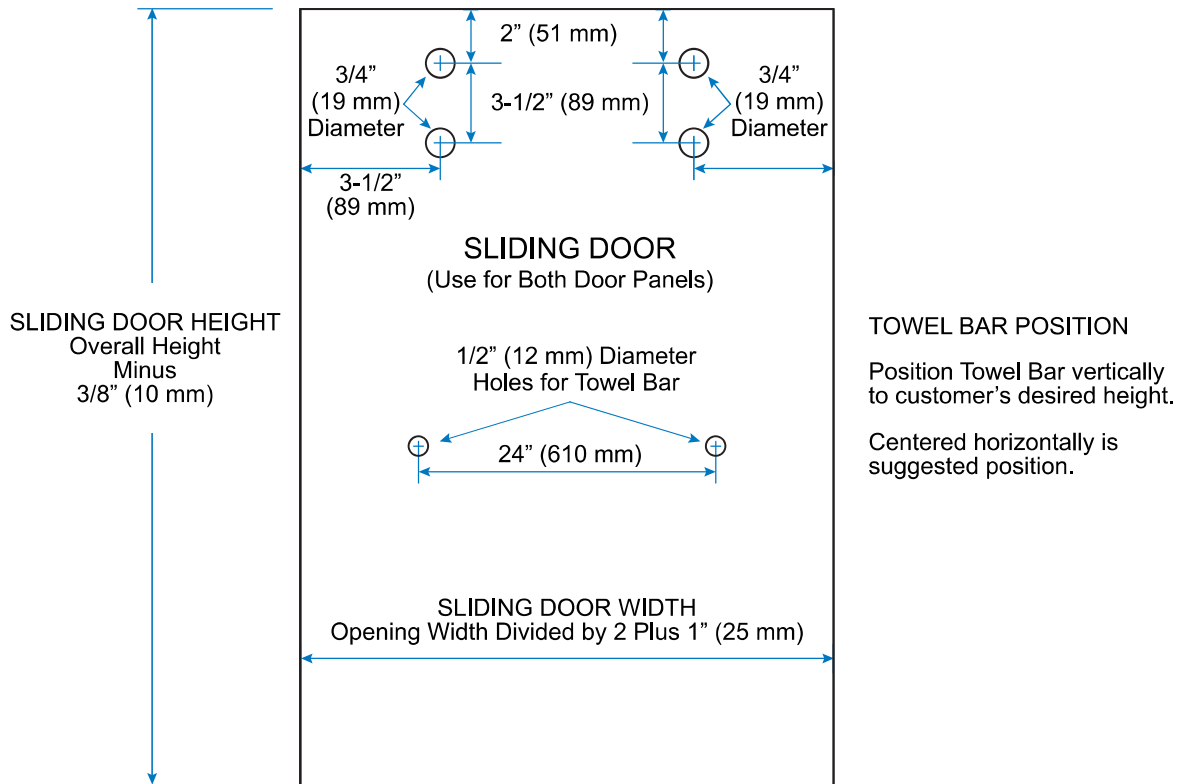


SPECIFICATIONS



GLASS FABRICATION

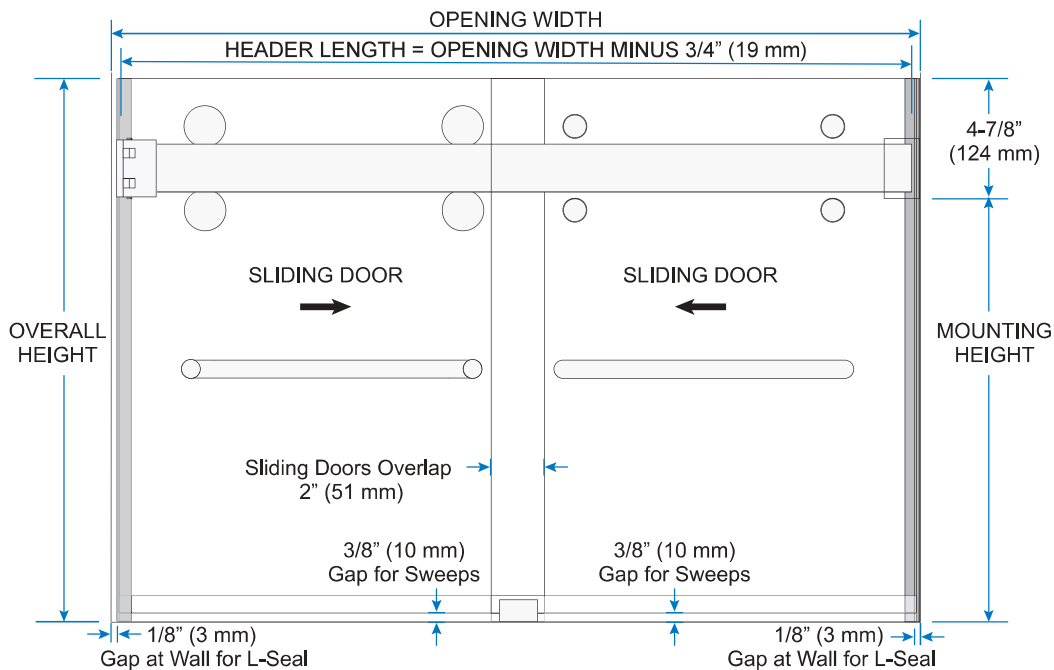
Use 5/16" or 3/8" (8 or 10 mm) Tempered Glass only. Do not use Laminated Glass.



SLIDING DOOR HEIGHT: Overall Height minus 3/8" (10 mm)

SLIDING DOOR WIDTHS: Overall Width divided by 2, plus 1" (25 mm).

Drawing not to scale. Shown from exterior.



NOTE: Drawings not shown to scale. Header Bar is cut 3/4" (19 mm) less than Opening Width. Use wall-to-wall tight dimension. Overall Height is height from curb/floor to top of glass.

Unpack Rollers

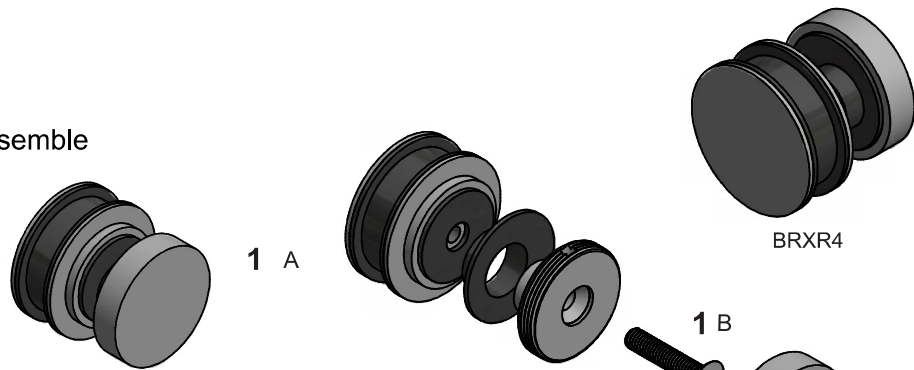
- 1 Unpack and partially disassemble sets of Rollers.

NOTE: Rollers shipped assembled. tools to install included.

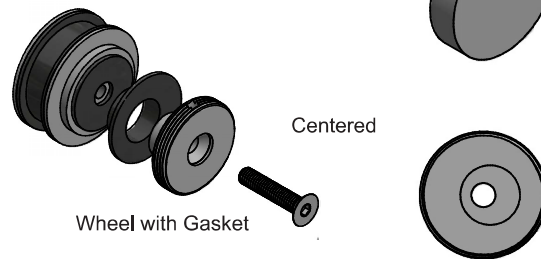
Install Top Rollers

- 2 Adjust wheel height.
- 3 Install Top Rollers on both Sliding Doors.

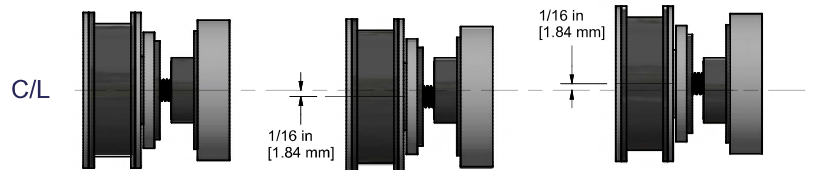
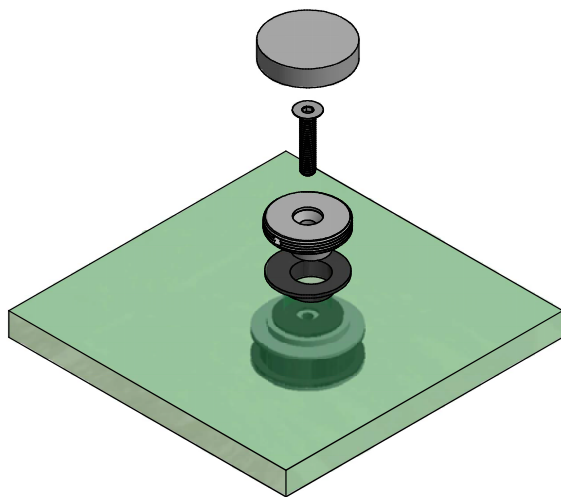
NOTE: Lower Rollers are installed after doors are hung. See Page 10.



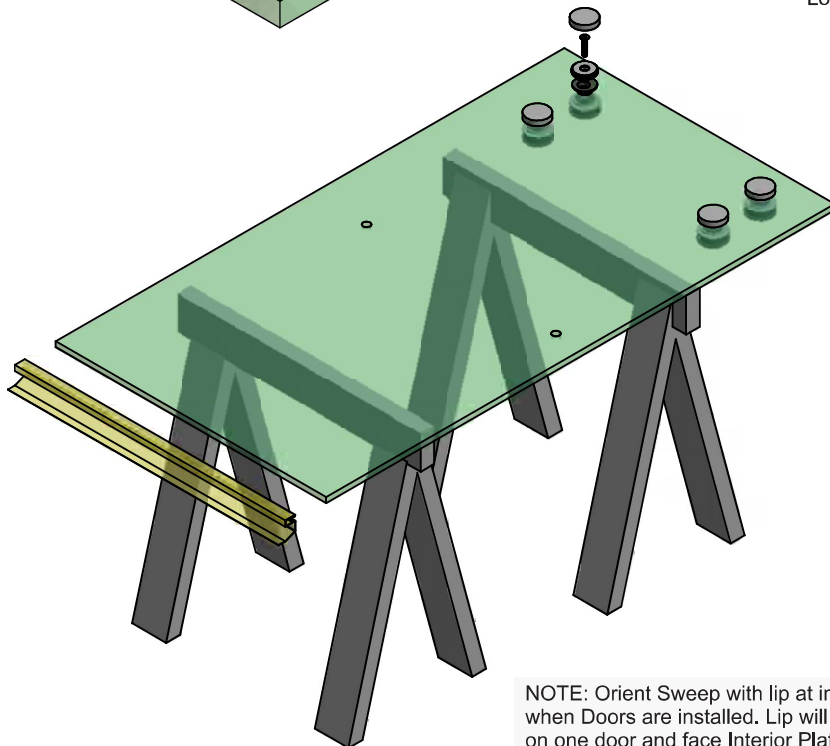
NOTE: Unscrew beauty cover and interior plate by hand



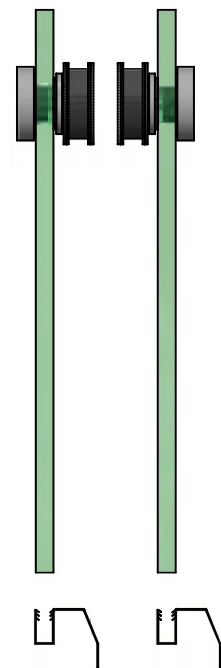
NOTE: To make door height adjustments easier, install rollers with wheel aligned at center of out-of-round position.



Loosen Interior plate to adjust roller height when installed



NOTE: Orient Sweep with lip at interior of shower when Doors are installed. Lip will face Wheel side on one door and face Interior Plate on the other.



Lip at interior when Doors are hung.

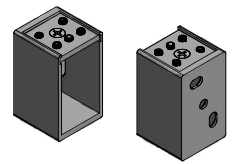
Prepare for Header Support Bar

- 1 Determine Mounting Height and mark wall.

NOTE: Allow minimum 1-1/2" (38 mm) from edge of curb.

- 2 Unpack Track Holder Fittings. Remove top cover.
- 3 Using Track Holder Fitting Base as a guide, mark and drill holes for Header Support Bar.

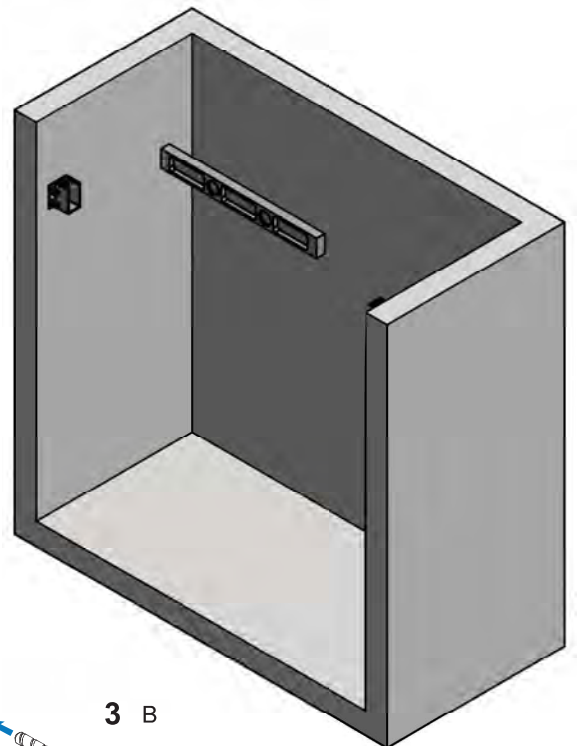
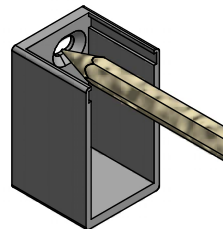
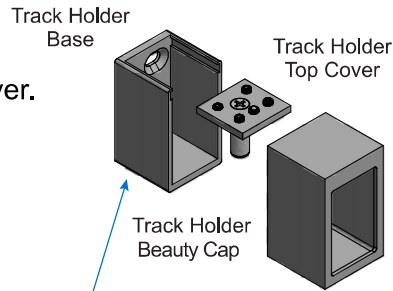
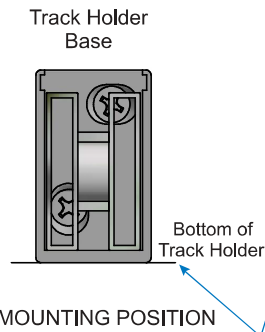
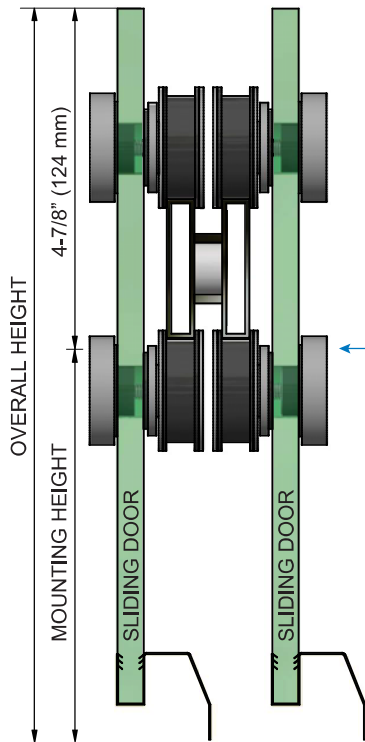
NOTE: Track Holder Fittings shown orientated for installation. Set Screws at Top Cover secure Header in place.



BRXW2
Track Holder Fitting
(Two Included)



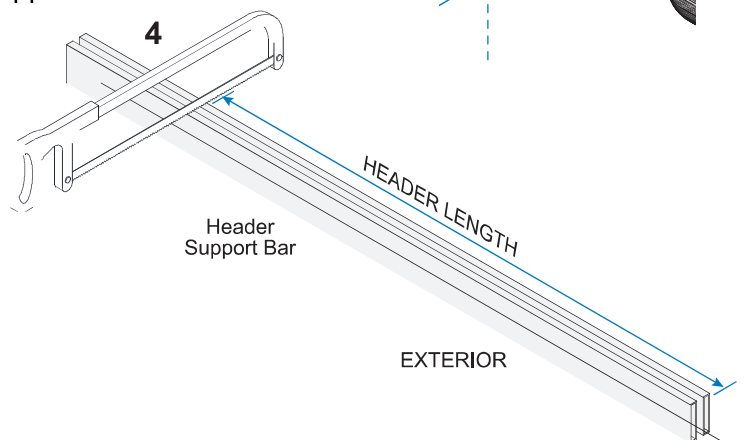
Screws and Anchors



FRAME FABRICATION Cut Header Support Bar

- 4 Measure opening width at mounting points. Cut BRXH1 Header Support Bar 3/4" (19 mm) shorter.

NOTE: Header Support Bar is made of stainless steel. Use hacksaw or special cutting tool, which has not been used for any other material than stainless steel before- prevent cross-contamination.



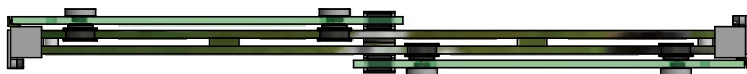
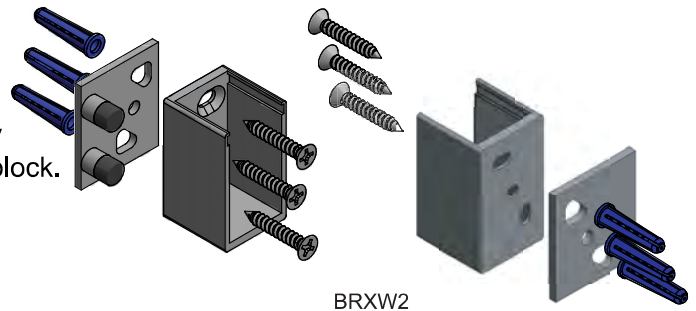
Mount Track Holder Fittings

1 Unpack Door Stoppers.

Unpack mounting blocks and fasten them to the wall by putting the stopper-plates between wall and mounting block.

NOTES:

- Stopper is reversible - rubber - bumper needs to be on the same side as the open-position of the door.
- The center-screw is last to install, first assure horizontal alignment of opposite wall boxes.
- Utilize slots in the mounting box for 2-dimensional adjustments where needed before tightening screws for proper horizontal alignment of the header-bar

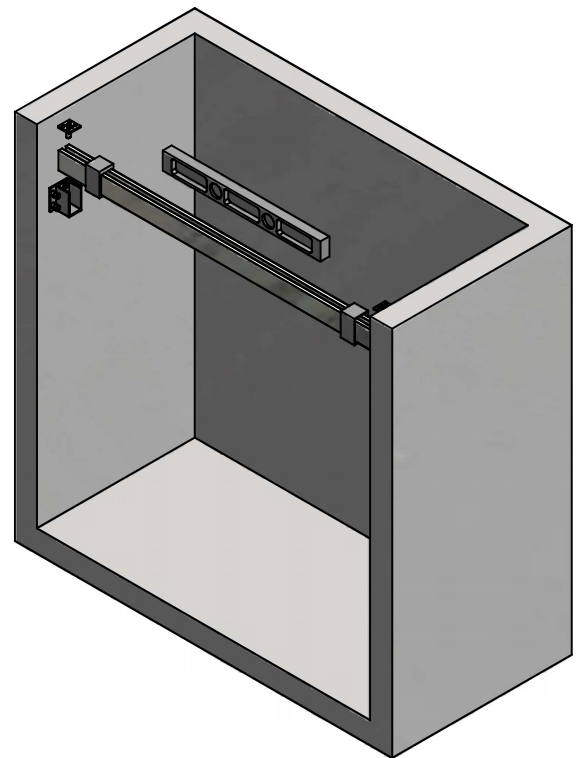
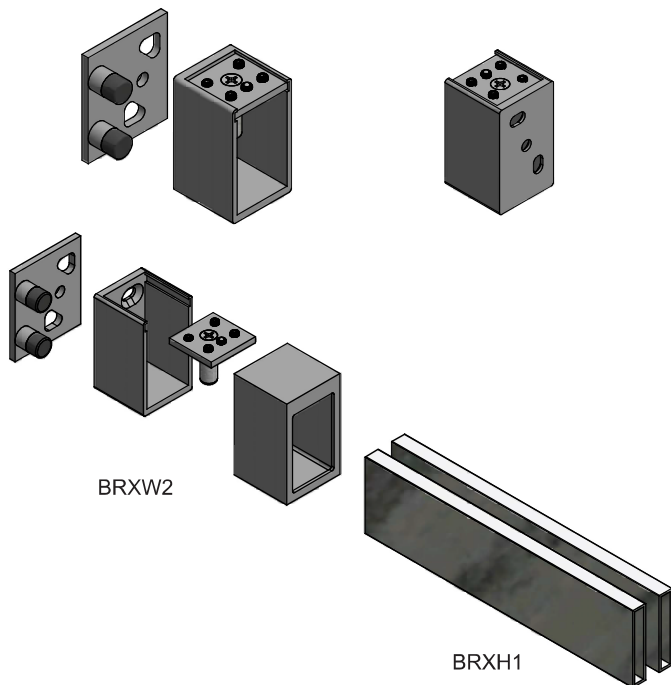


Install Header

3 Sleeve beauty covers over the track (for sleeve them back over the track holder)

3.1 Rest Header onto Track Fittings.

4 Slide Fitting Cover into Fitting Base. Tighten Set Screws to secure Header in place.



IMPORTANT: Ensure Header is level. The Rollers are extremely smooth and doors will move on their own if the Header is tilted.

FRAME INSTALLATION (CONTINUED)

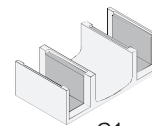
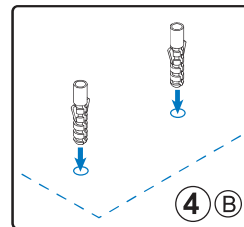
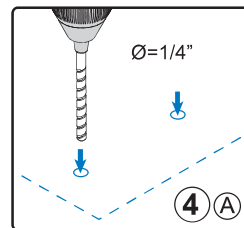
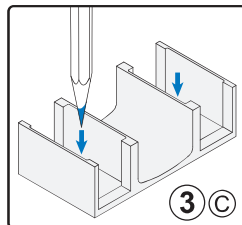
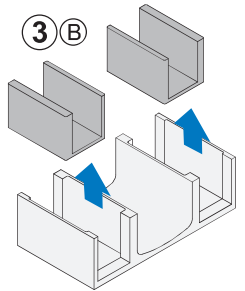
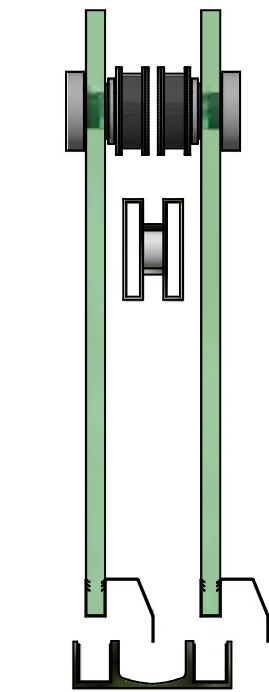
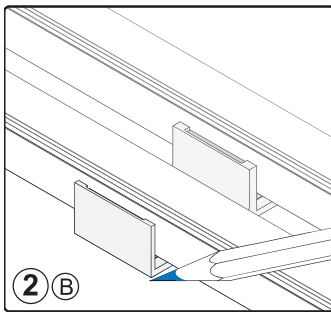
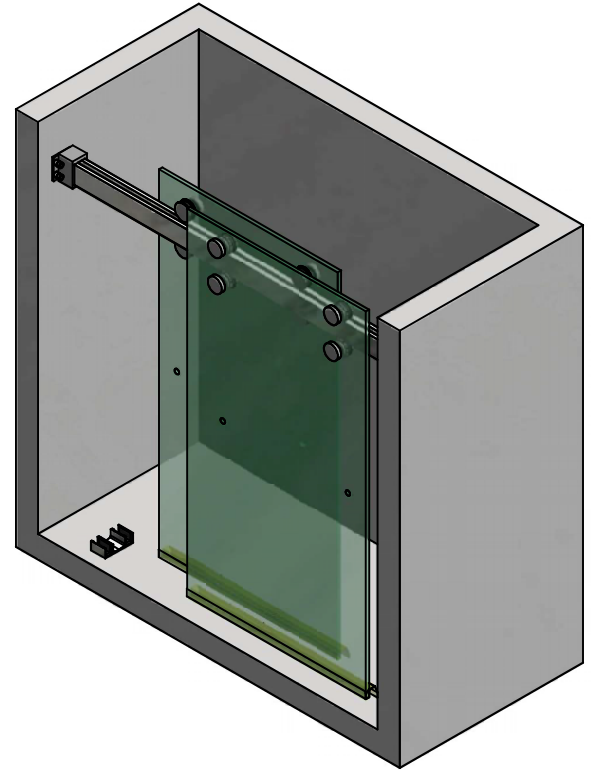
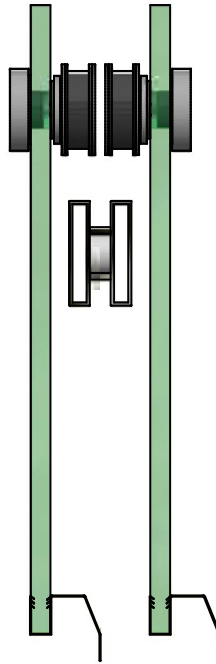
Hang Sliding Doors

- 1 Hang Sliding Doors and carefully slide back and forth to check height.

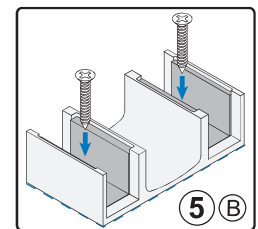
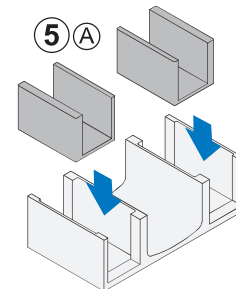
NOTE: See Page 5 to Prepare Doors before hanging and to adjust Roller height if needed.

Install Bottom Door Guide

- 2 Place Bottom Guide to engage with Sliding Doors. Close Doors, adjust Guide position and outline.
- 3 Remove Doors and Guide Inserts to mark holes.
- 4 Remove Guide. Drill hole and insert anchors.
- 5 Reassemble Guide and install.



G1 Bottom Guide Screws and Anchors



Hang One Sliding Door

- 1 Prepare Bottom Rollers.
- 2 Hang one Sliding Door placing Glass inside Bottom Guide.

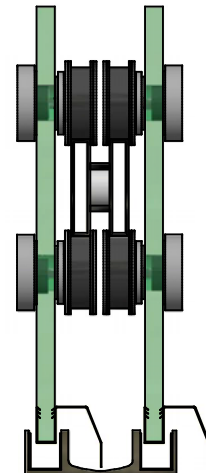
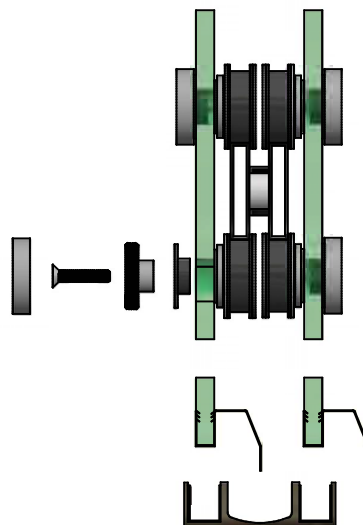
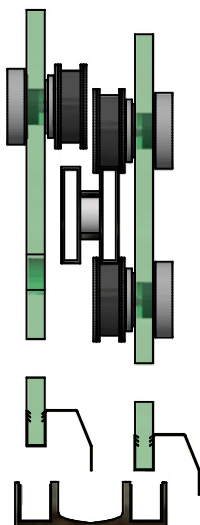
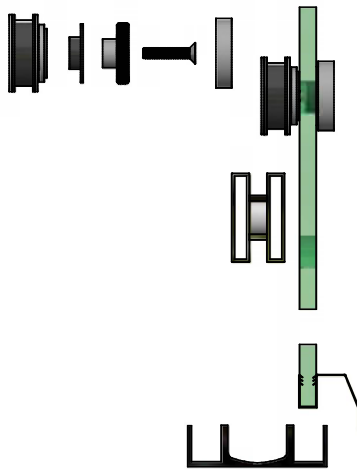
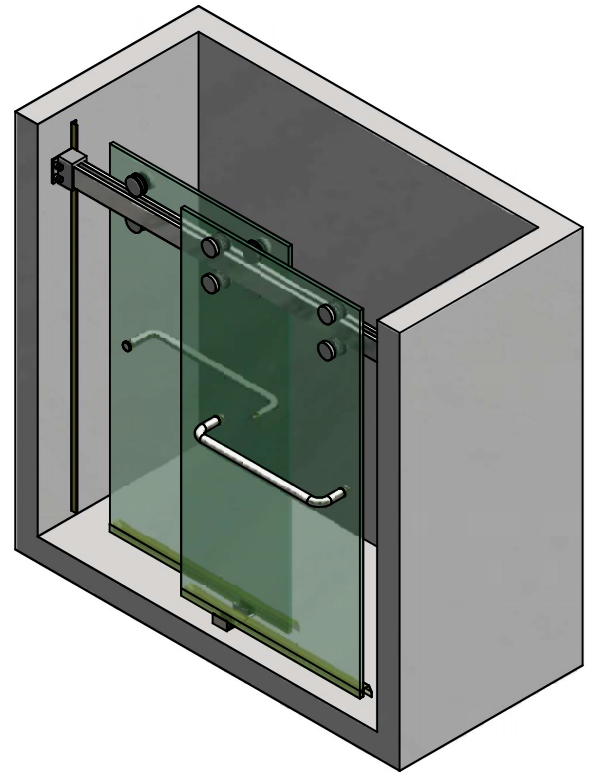
Install Bottom Rollers

- 3 Install Bottom Rollers.

NOTE: Begin with wheel aligned to center of out-of-round position. See Page 5 before installing Rollers.

Install Second Door

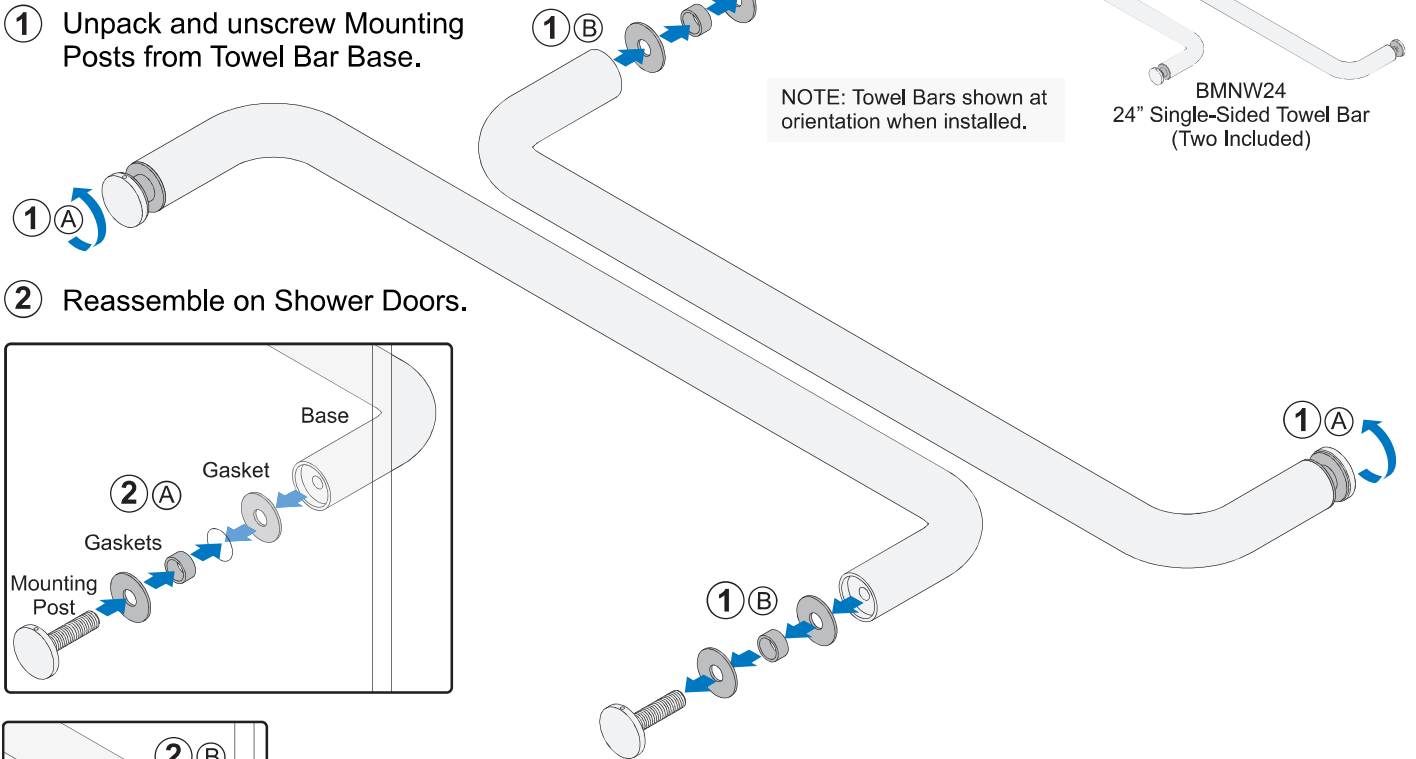
- 4 Repeat Steps 1 through 3 to install second Door.



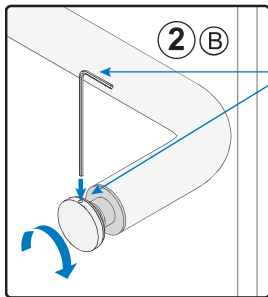
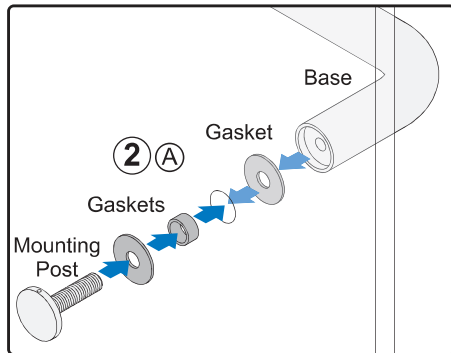
FINISHING

Unpack and Install Thru-Glass Pull

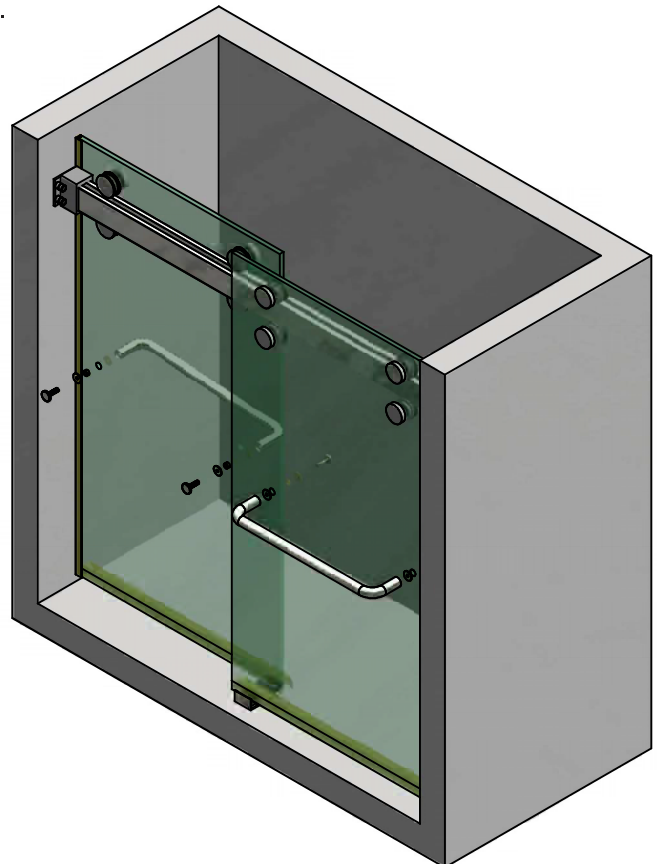
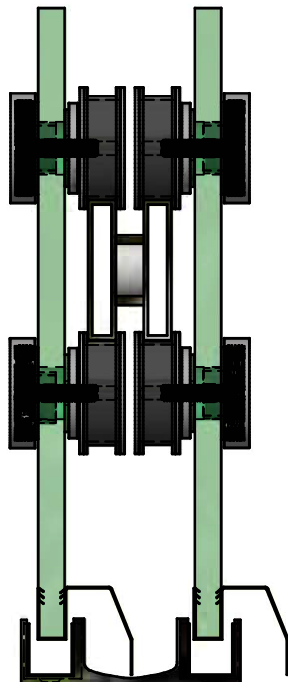
- 1 (A) Unpack and unscrew Mounting Posts from Towel Bar Base.



- 2 Reassemble on Shower Doors.



Screw Mounting Post into Base. Tighten completely using included Allen Wrench placed in hole in Post.

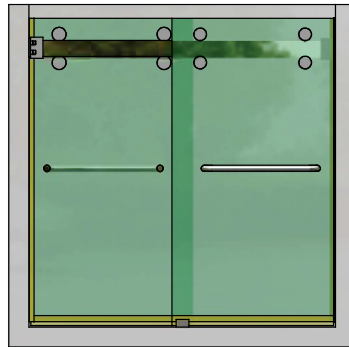


FINISHING (CONTINUED)

Install L-Seal

- 1 Measure and Cut L-Seal.
- 2 Install L-Seal on wall side of each Sliding Door.

NOTE: Temporarily attach L-Seal to each Door and use as guide for final position.



VIEW FROM EXTERIOR

