

PRODUCT SUMMARY

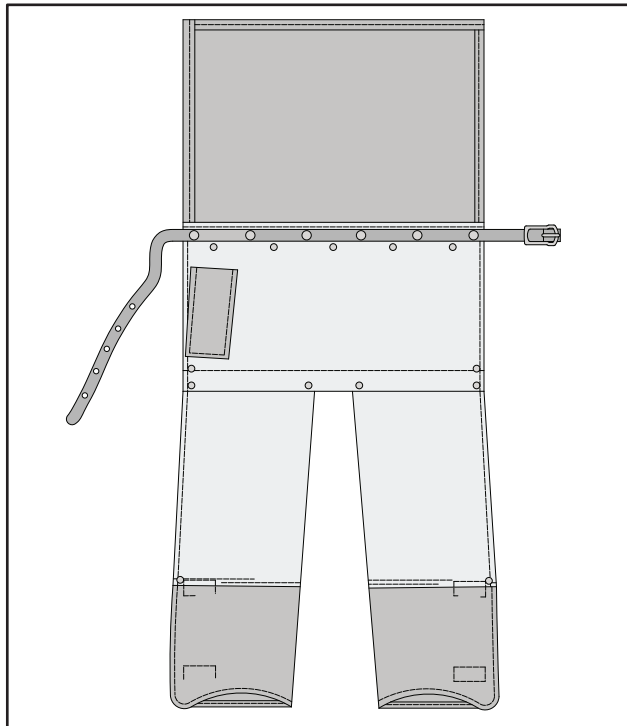
CRL PROTECTIVE LEG CHAPS

CRL Protective Leg Chaps are perfect for the glazier needing that extra protection. These Protective Chaps guard against cuts and abrasions from glass and sheet metal

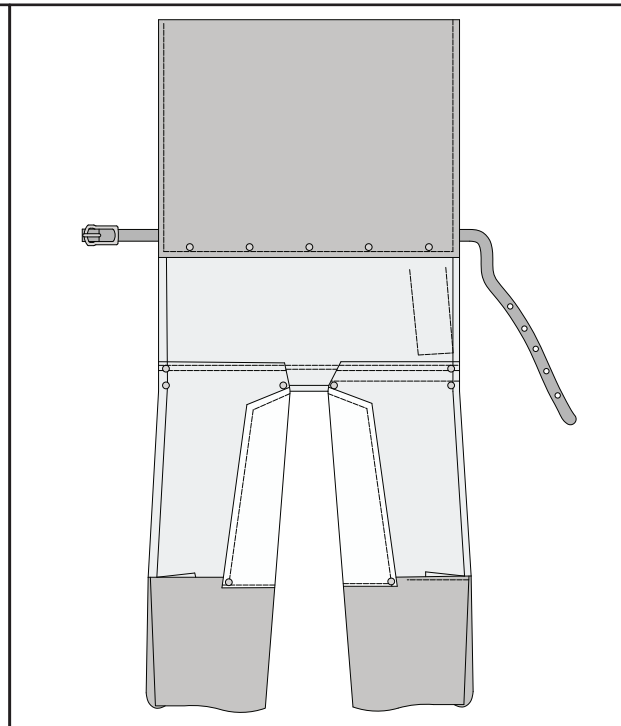
- Strong Protection - Lighter Than Leather
- Hook and Loop closures Hold Chaps to Your Ankles
- Fits Waist Sizes Up to 46" (1.17mm)

CATALOG NUMBER	DESCRIPTION
L49TC34	CRL 34" Protective Leg Chaps
L49TC36	CRL 36" Protective Leg Chaps
L49TC38	CRL 38" Protective Leg Chaps

FRONT



BACK



SPECIFICATIONS

22 oz. Thermobest Waist, Patch & Thighs
• ANSI/ISEA-2011 Cut resistance level 5
• ANSI/ISEA-2011 Puncture resistance level 4
• ANSI/ISEA105-2011 Abrasion resistance level 5
8 oz. Kevlar Calves
• ANSI/ISEA-2011 Cut resistance level 2
• ANSI/ISEA-2011 Puncture resistance level 4
• ANSI/ISEA105-2011 Abrasion resistance level 2

FABRIC

Main Material: 22oz. Thermobest
(Fiber Content: 50% Fiberglass, 50% Para and Meat Aramid Blend)

Calves: 8oz. 100% Kevlar

STANDARD COLOR

Yellow

Made from 22 oz. Thermobest material at the waist, and 8 oz. material over the legs for maximum protection and flexibility while working. Hook-and-loop closures hold the chaps to your ankles for a sure fit.

Our material is lighter than leather while offering the same level of protection.



Phone: (800) 421-6144 • Fax: (800) 587-7501
crlaurence.com • usalum.com • crl-arch.com