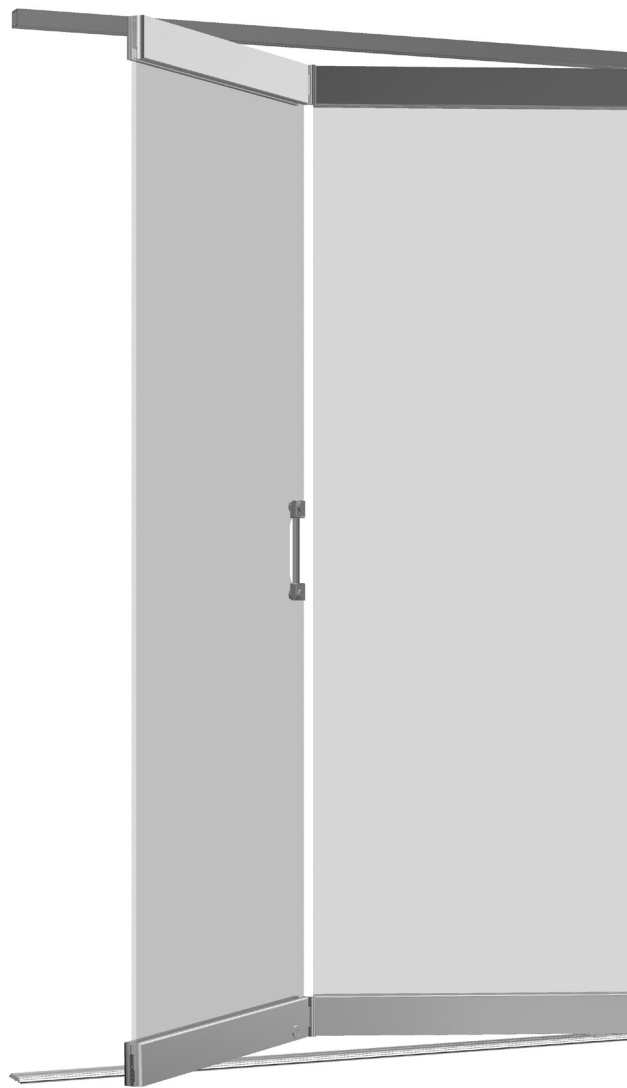


INSTALLATION INSTRUCTIONS

CRL OVERHEAD TRACK BI-FOLD DOORS (OTC)

HALF PANEL OVERHEAD TRACK SYSTEM



Phone: (800) 421-6144 • Fax: (866) 587-7501
crlaurence.com • usalum.com • crl-arch.com

CONTENTS

INTRODUCTION	02
CONFIGURATIONS	03
TOP TRACK INSTALLATION.....	04
RECESSED GUIDE CHANNEL AND PIVOT INSTALLATION.....	05
SURFACE MOUNTED TRACK AND PIVOT INSTALLATION.....	06
PIVOT DOOR LEAF ASSEMBLY	07
PIVOT DOOR LEAF INSTALLATION.....	08
SLIDING DOOR LEAF ASSEMBLY	09
SLIDING DOOR LEAF INSTALLATION	10
GLASS SIZING CHART	11

INTRODUCTION

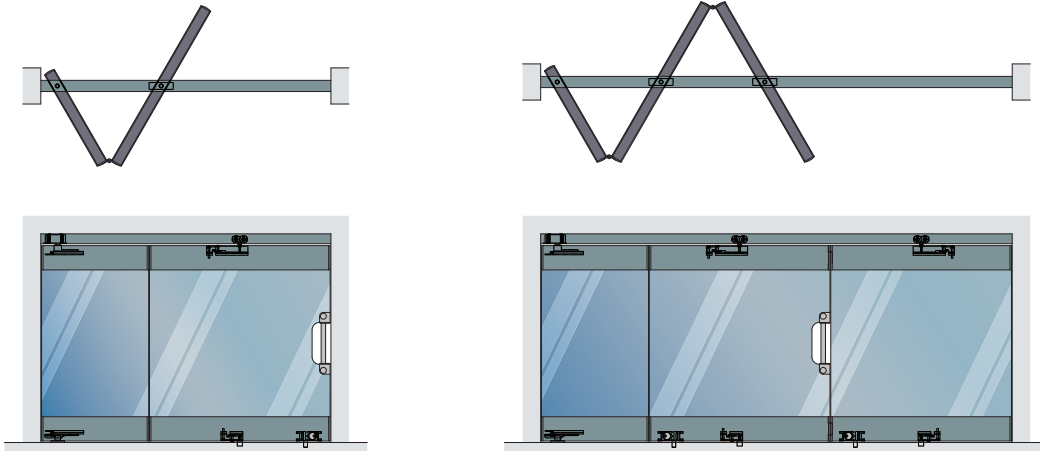
Congratulations on your selection of the CRL Bi-Fold Door System. This system has been designed to work in a variety of applications. Ease of installation and adjustment for height and alignment by incorporating all the features of the CRL Wedge-Lock® Door Rail System make this your best choice in Overhead Track Bi-Fold Doors.

By following the instructions in this manual, we believe you will experience a trouble-free installation of the system. Should you have any questions about this system or any CRL product, please contact us at (800) 421-6144 or visit our web site at crlaurence.com.

IMPORTANT: PLEASE READ BEFORE INSTALLATION
THE FOLLOWING INSTRUCTIONS WILL REDUCE YOUR CHANCES OF EXPERIENCING PROBLEMS
DURING INSTALLATION, AND ENSURE SMOOTH, TROUBLE-FREE OPERATION OF THE PRODUCT

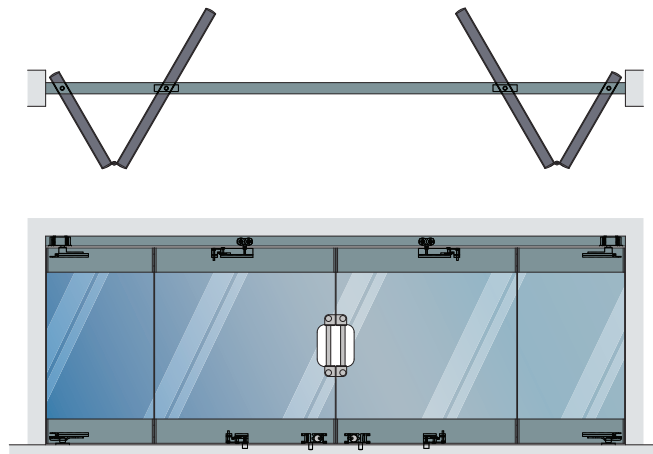
CONFIGURATIONS

Styles can be 2 panel Bi-Fold, 3 Panel Bi-Fold, 4 Panel Bi-Parting Bi-Fold, or 6 Panel Bi-Parting Bi-Fold. The maximum width of each panel must not exceed 36" (914 mm). Minimum panel width is 15" (381 mm). Maximum weight per panel is not to exceed 170 lbs. (77 kg).

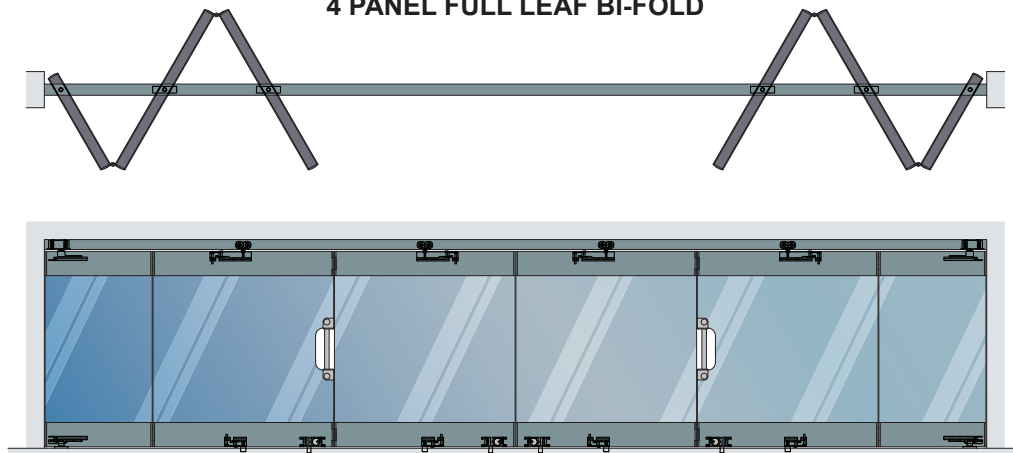


OTB2
2 PANEL FULL LEAF BI-FOLD

OTB3
3 PANEL FULL LEAF BI-FOLD



OTB4BP
4 PANEL FULL LEAF BI-FOLD



OTB6BP
6 PANEL FULL LEAF BI-FOLD

TOP TRACK INSTALLATION

1. The top track assembly is packed complete with top pivot, pivot block, and roller assemblies installed. Remove the top pivot(s) from the pivot block(s). This will expose the temporary screws holding the pivot blocks to the top track. Remove these screws and discard them. **(Fig. 1)**
2. Remove the roller assemblies by turning the roller assembly counter-clockwise. **(Fig. 2)**
3. Secure the top track onto the top surface with #10 screws (not provided) at 12" (305 mm) on center and 1-1/2" (38 mm) from the wall **(fig. 3)**
4. Re-install the roller assemblies, and then secure the top pivot block to the head with 1/4" (6 mm) screws (not provided). Screw lengths should be a minimum of 1" (25 mm). The head of the opening must be of sufficient strength to withstand considerable torque from the top hung panels when they are open.

NOTE: Be sure to re-install the roller assemblies prior to securing the pivot block.

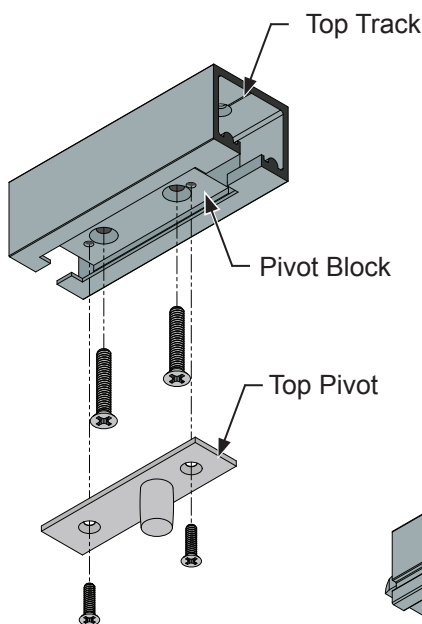


FIG. 1

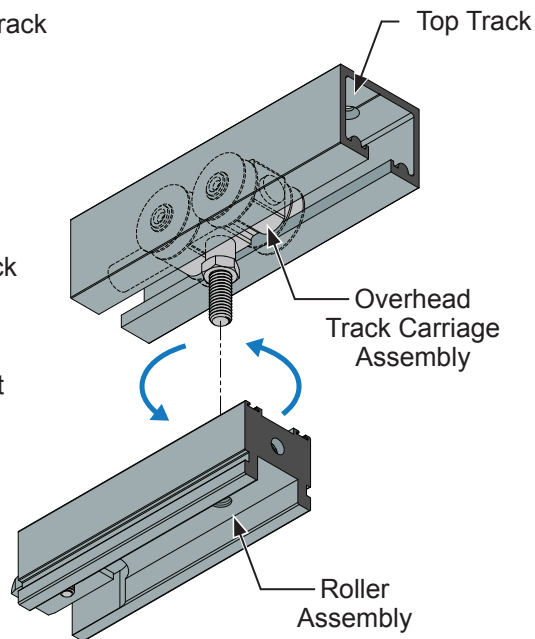


FIG. 2

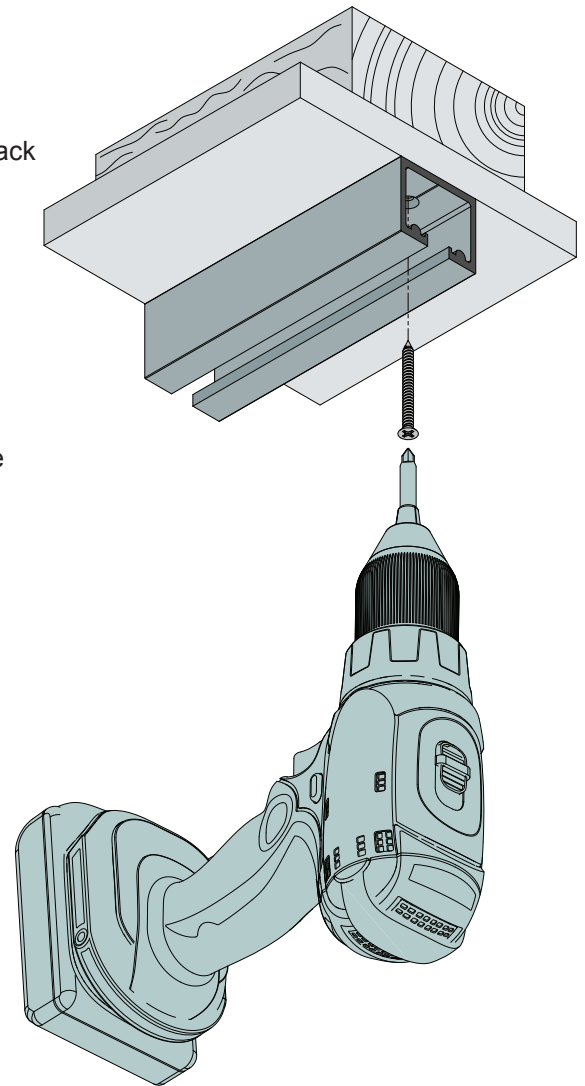


FIG. 3

NOT TO SCALE

RECESSED GUIDE CHANNEL AND PIVOT INSTALLATION

1. The Guide Channel is set into the floor and is positioned directly under the center of the Top Track. (FIG. 4)
2. The Bottom Pivot is installed into the finished floor 2-3/4" (70 mm) from the wall and on the centerline of the Guide Channel. (FIG. 5)

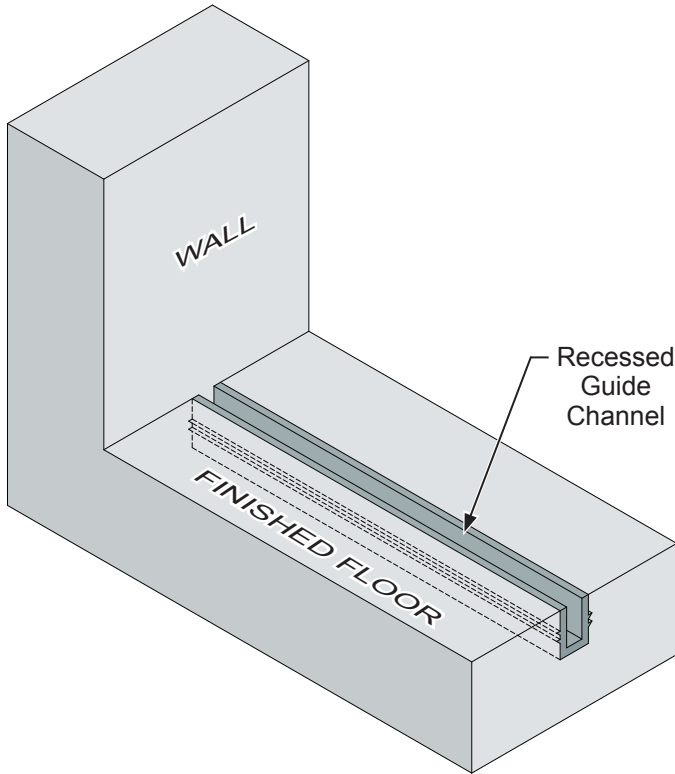


FIG. 4

NOTE: Location of the bottom pivot is critical and must be on the same center line as the bottom guide channel.

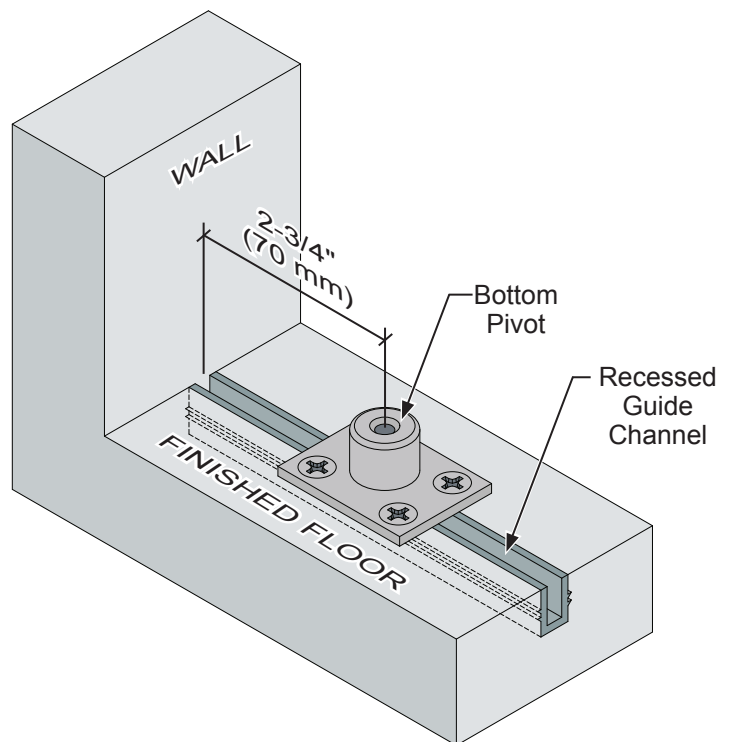


FIG. 5

NOT TO SCALE

OPTIONAL SURFACE MOUNTED SADDLE THRESHOLD AND PIVOT INSTALLATION

The TH0T1 and TH0T2 are optional surface mounted saddle thresholds that do not require notching of the floor substrate. They are factory machined at the pivot end but must be cut to length at the other.

1. The surface mounted saddle threshold is fastened with masonry screws at 12" (305 mm) on center and 3" (76 mm) from the wall onto the floor, positioned directly under the center of the top track. **(Fig. 6)**
2. The bottom pivot is installed onto the surface mounted saddle threshold 2-3/4" (70 mm) from the wall and on the Centerline of the surface mounted saddle threshold. **(Fig. 7)**

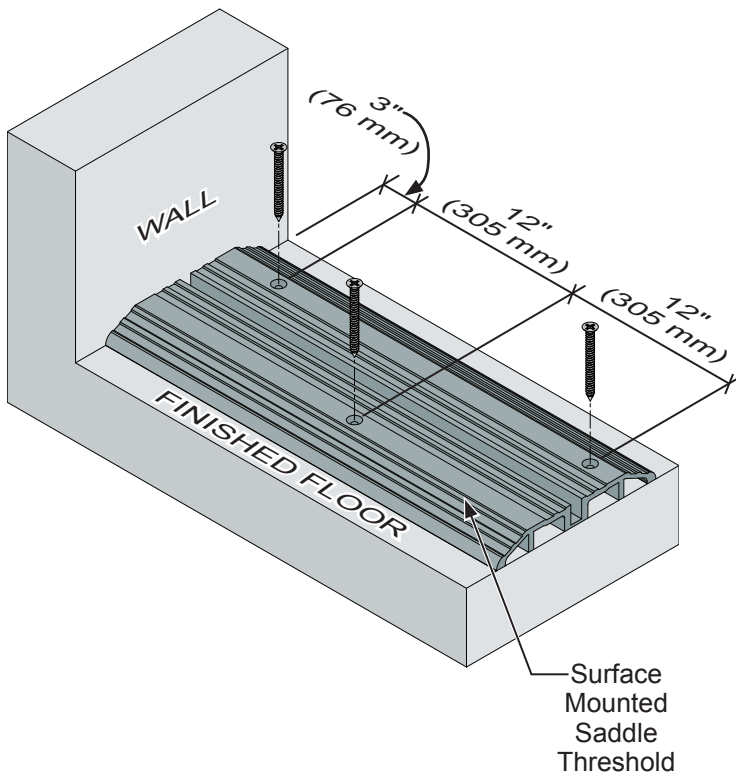


FIG. 6

NOTE: Location of the bottom pivot is critical and must be on the same center line as the bottom guide channel.



TH0T1 Threshold
6063-T6 Aluminum Alloy
ML/SA/DU finishes



TH0T2 Threshold
6063-T6 Aluminum Alloy
ML/SA/DU finishes

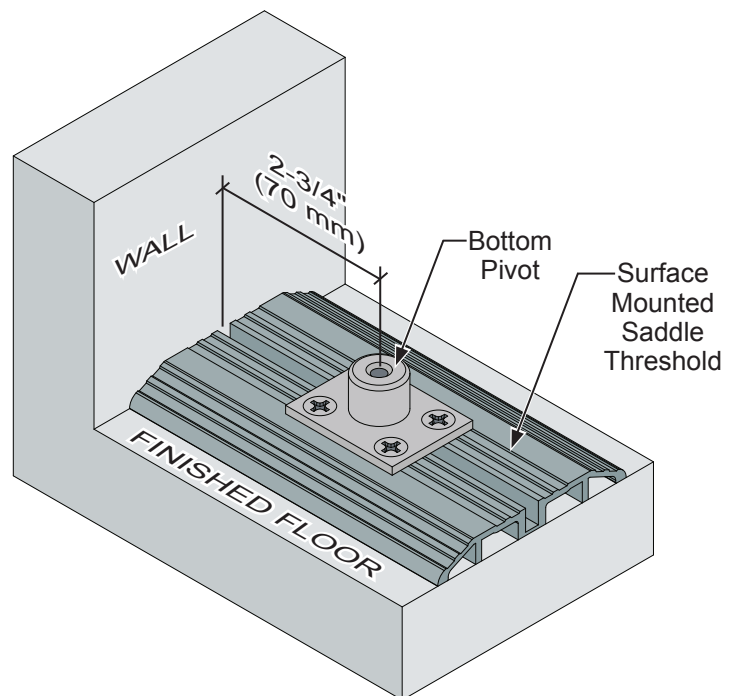


FIG. 7

NOT TO SCALE

PIVOT DOOR LEAF ASSEMBLY

TOP PIVOT RAIL

1. Remove both end caps from the rail. (Fig. 8)
2. Remove the wool pile carrier from the rail. (Fig. 8)
3. Assemble the rail to the glass as directed in the rail assembly instructions included in the packaging.
4. Re-install the wool pile carrier.

BOTTOM PIVOT RAIL

1. Remove both end caps from the rail. (Fig. 9)
2. Assemble the rail to the glass as directed in the rail assembly instructions included in the packaging.
3. Be sure that the bottom pivot is aligned with the top pivot in the top rail.

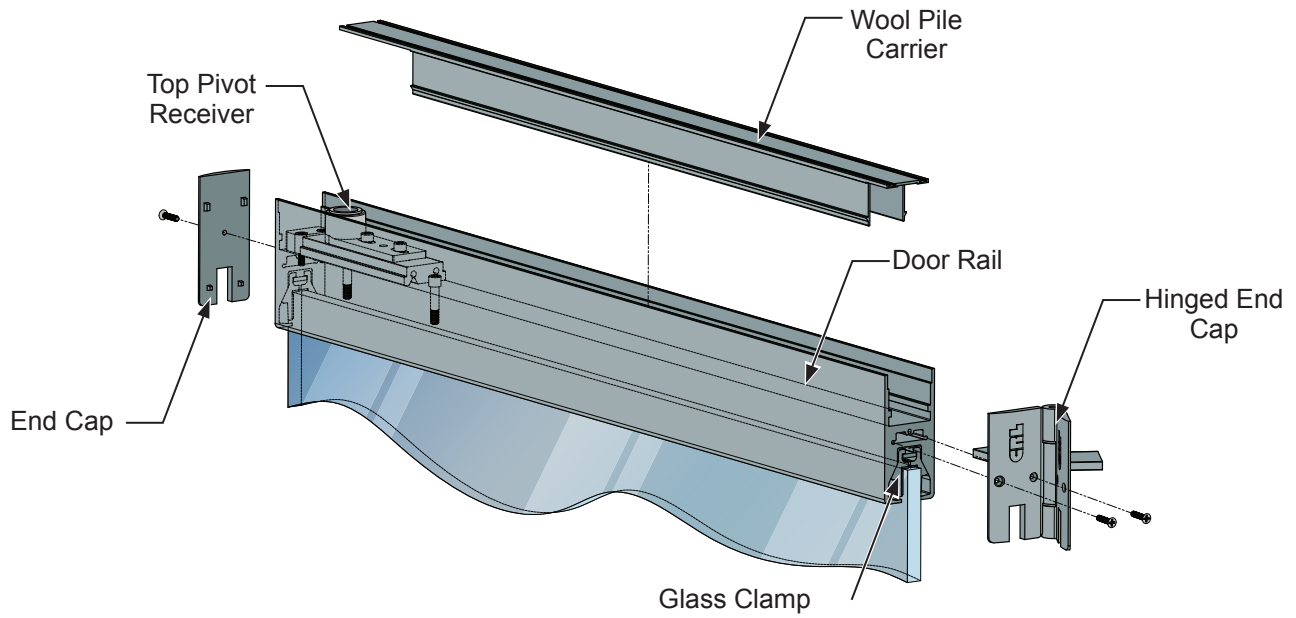


FIG. 8
TOP PIVOT RAIL

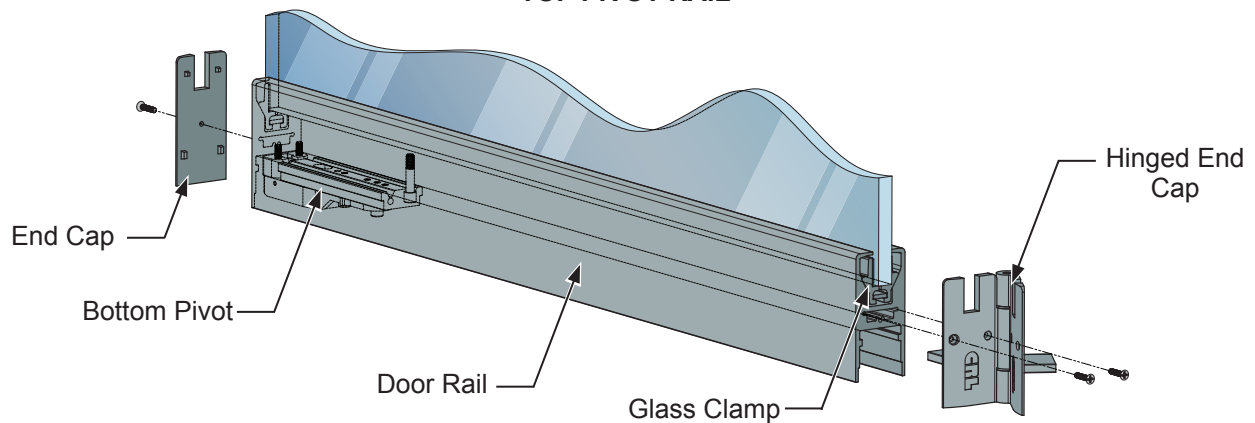


FIG. 9
BOTTOM PIVOT RAIL

NOT TO SCALE

PIVOT DOOR LEAF INSTALLATION

1. Lift the pivot door leaf and insert the pivot receiver on the door into the top pivot. **(Fig. 10)**
2. Raise the door leaf and slide it onto the bottom pivot. **(Fig. 10)**
3. Check the alignment with the head and jamb. If adjustment is required, follow procedures in the rail assembly instructions.
4. When the door leaf is aligned correctly, re-install the end caps. **(Fig. 11)**

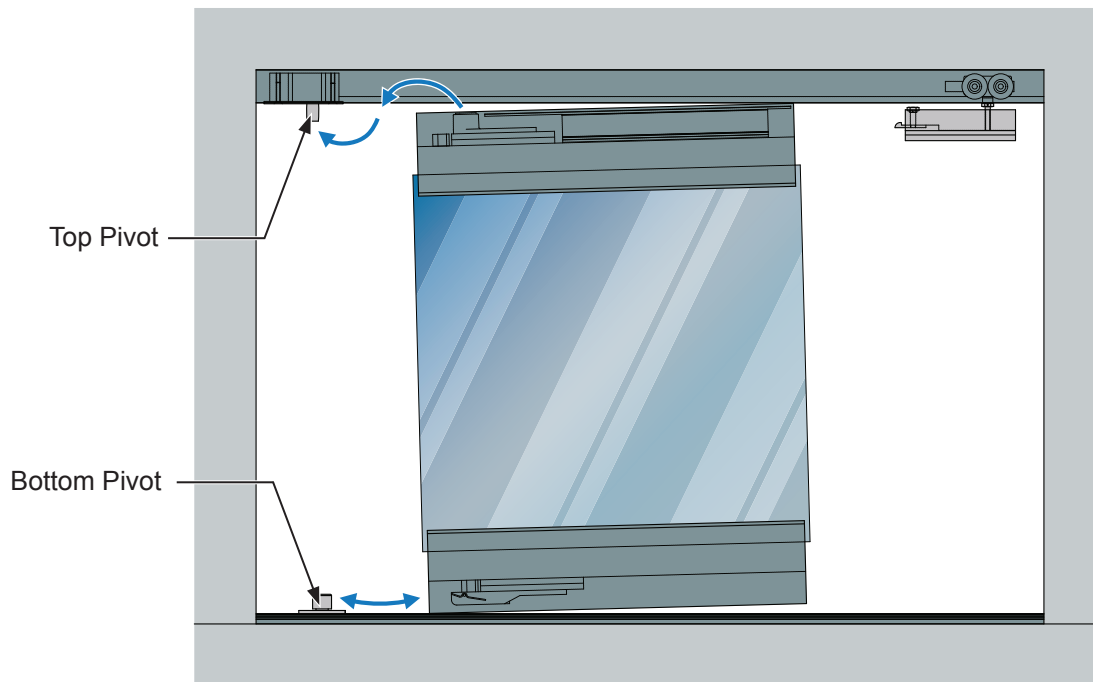


FIG. 10

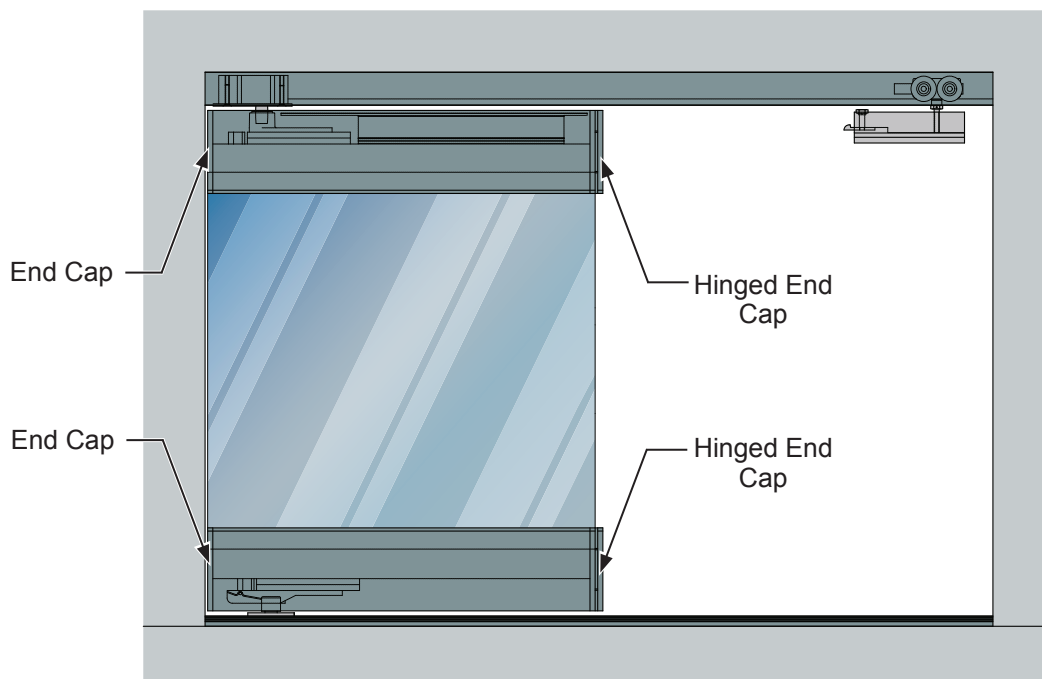


FIG. 11

NOT TO SCALE

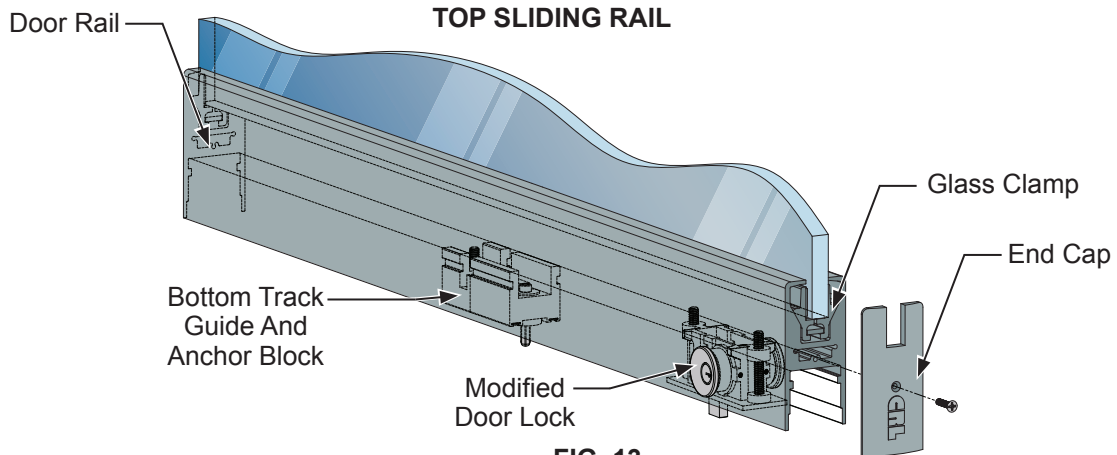
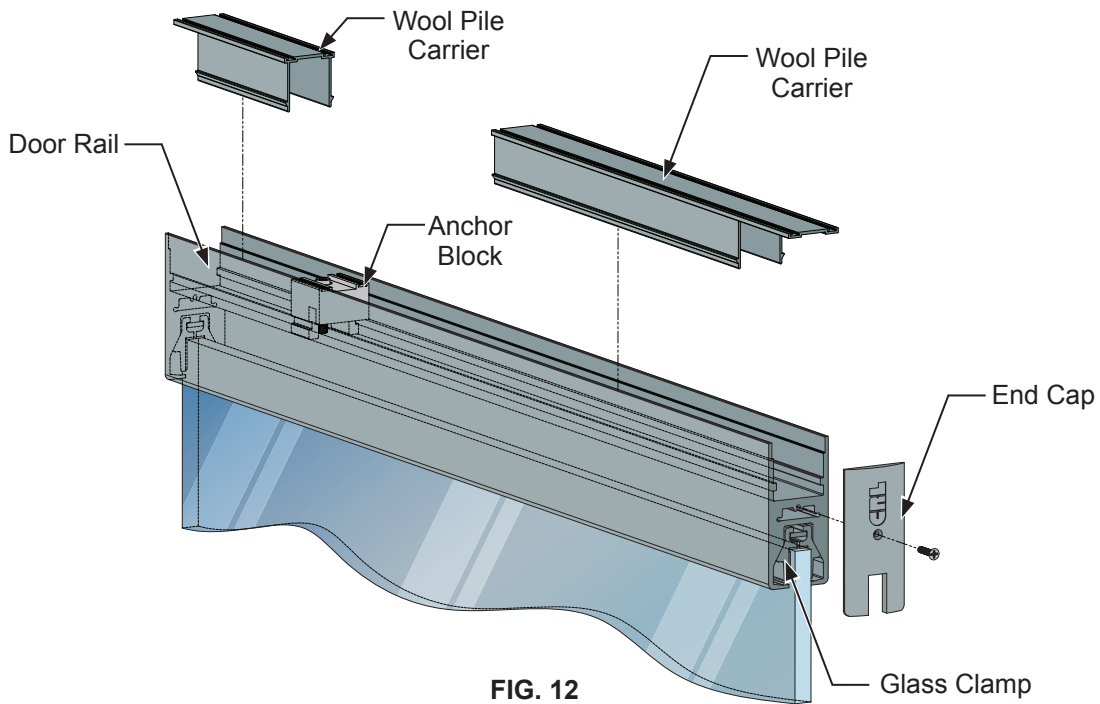
SLIDING DOOR LEAF ASSEMBLY

SLIDER TOP RAIL

1. Remove both end caps from the rail. (Fig. 12)
2. Remove the wool pile carrier from the rail. (Fig. 12)
3. Assemble the rail to the glass as directed in the rail assembly instructions included in the packaging.
4. Re-install the wool pile carrier.

SLIDER BOTTOM RAIL

1. Remove both end caps from the rail. (Fig. 13)
2. Assemble the rail to the glass as directed in the rail assembly instructions included in the packaging.
3. Be sure that the bottom track guide is aligned with the anchor block in the top rail.



NOT TO SCALE

SLIDING DOOR LEAF INSTALLATION

1. Lift the sliding door leaf and insert the bottom slide pin assembly on the door into the recessed guide channel Or into the optional surface mounted saddle threshold. **(Fig. 14)**
2. Align the end of the top rail with the roller assembly block. Slide the roller assembly block into the top rail until it contacts with the anchor block. While maintaining contact, tighten the locking screw. **(Fig. 15)**
3. Secure the hinged end caps attached to the pivot door leaf to the sliding door leaf. Be sure the screws are tight. Continue this process until all the sliding door leaves are installed. **(Fig. 16)**
4. If height adjustment is required, rotate the height adjustment nut until the desired height is achieved. **(Fig. 17)**

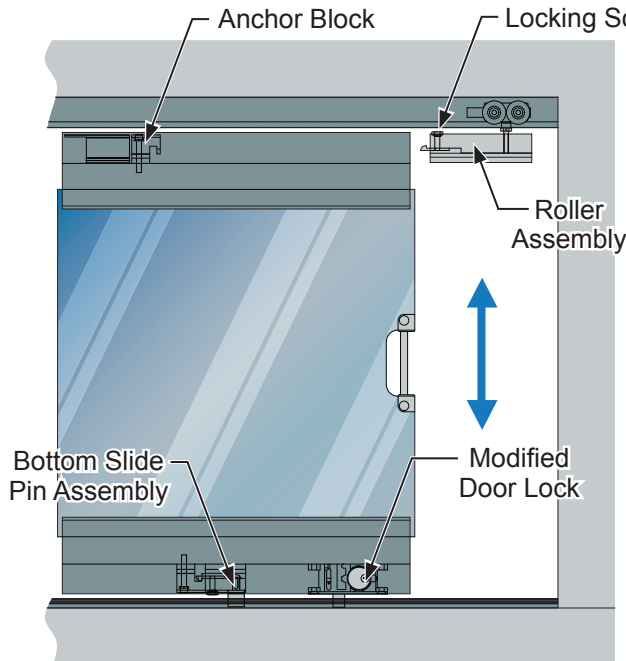


FIG. 14

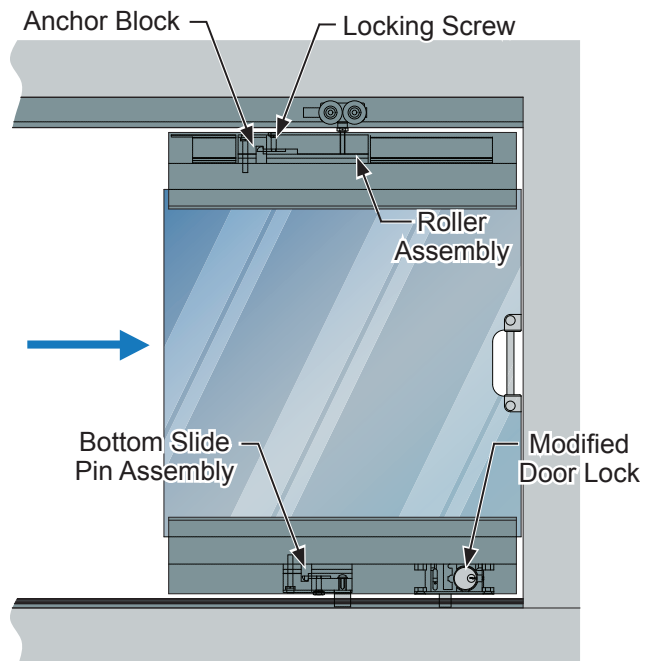


FIG. 15

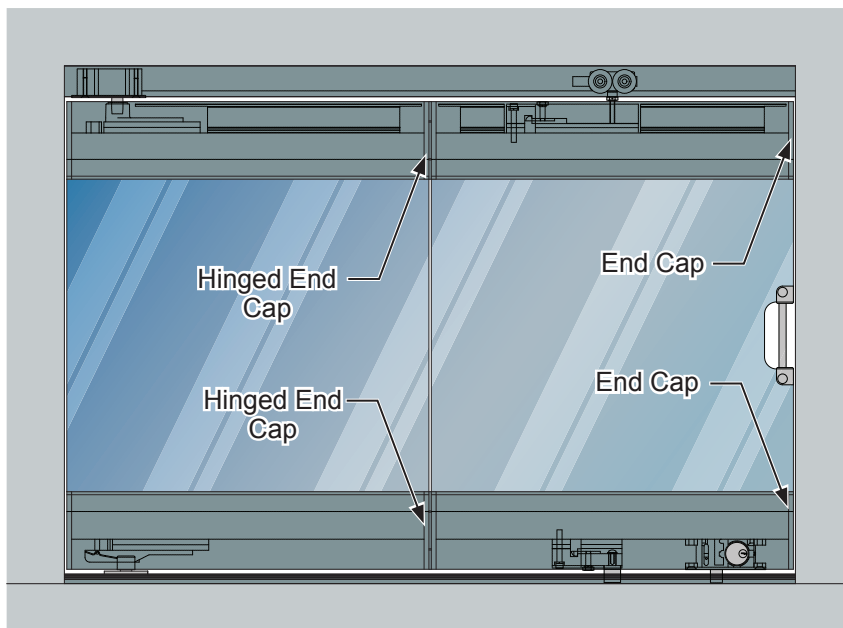


FIG. 16

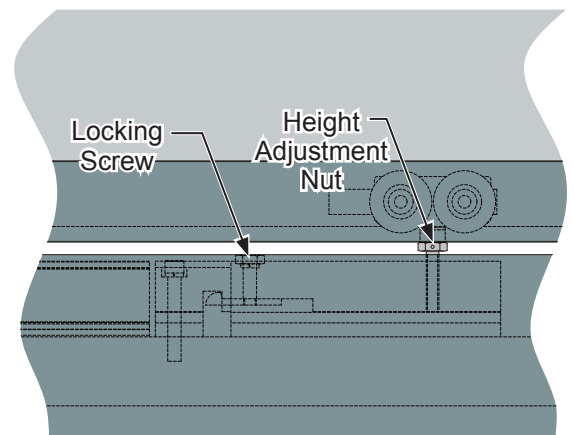


FIG. 17

NOT TO SCALE

FINAL ASSEMBLY

1. Check the operation of the door. If binding is observed when the door nears the full open position, **Do Not Force**. This will be due to mis-alignment of the top or bottom pivot.
2. Release the hinged end cap screws by a few turns and fully open the door. Any mis-alignment of the pivots will show as a gap between the hinge and the door rail.
3. Adjust the slides at the pivot end of the rail to bring the rails in line with the hinge and re-tighten the hinge screws.
4. Make any final adjustments to height and alignment. Install lock cylinders and any other hardware and check function.

GLASS SIZING CHART

OTC SYSTEMS GLASS WIDTH CALCULATOR 4" Height Top and Bottom Rails			
OTC	<u>GLASS WIDTH FORMULAS</u> FOR OTC SYSTEMS: GLASS WIDTH - PANEL WIDTH		MAXIMUM OPENING WIDTH
	OTC2	HALF LEAF	$(\text{OPENING WIDTH}) / 3 + 1\text{-}5/8"$ (42 mm)
FULL LEAF		$(\text{OPENING WIDTH}) / 1.5 - 2"$ (50 mm)	
OTC3	HALF LEAF	$(\text{OPENING WIDTH}) / 5 + 2"$ (50 mm)	100-5/8" (2.56 m)
	FULL LEAF	$(\text{OPENING WIDTH}) / 2.5 - 1\text{-}1/4"$ (32 mm)	
OTC4BP	HALF LEAF	$(\text{OPENING WIDTH}) / 6 + 1\text{-}5/8"$ (42 mm)	123" (3.12 m)
	FULL LEAF	$(\text{OPENING WIDTH}) / 3 - 2"$ (50 mm)	
OTC6BP	HALF LEAF	$(\text{OPENING WIDTH}) / 10 + 2"$ (50 mm)	201-1/4" (5.1 m)
	FULL LEAF	$(\text{OPENING WIDTH}) / 5 - 1\text{-}1/4"$ (32 mm)	

OTC SYSTEMS GLASS HEIGHT CALCULATOR 4" Height Top and Bottom Rails		
OTC	<u>GLASS WIDTH FORMULAS</u>	
	WITH RECESSED BOTTOM TRACK	
	WITH CLAD	OPENING HEIGHT MINUS 8-3/16" (208 mm)
	WITHOUT CLAD	OPENING HEIGHT MINUS 8-1/8" (210 mm)
	WITH SURFACE MOUNTED BOTTOM TRACK	
	WITH CLAD	OPENING HEIGHT MINUS 8-11/16" (220 mm)
	WITHOUT CLAD	OPENING HEIGHT MINUS 8-5/8" (219 mm)