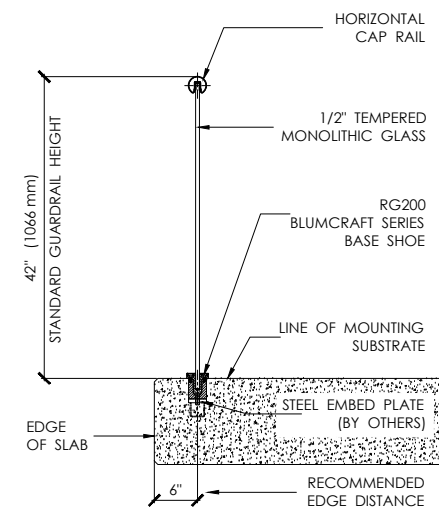


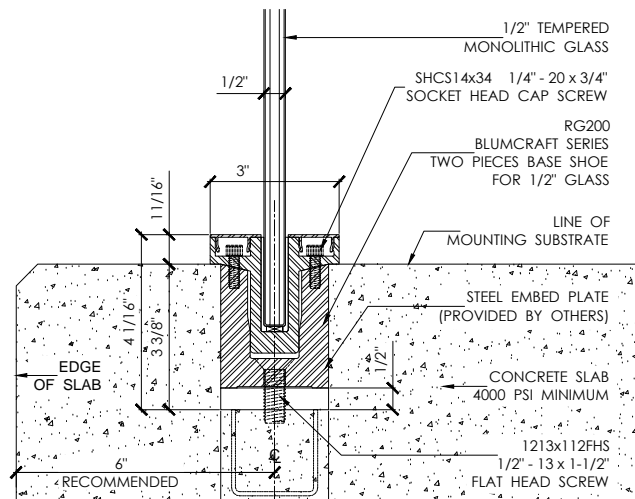
BLUMCRAFT GLASS RAILING SYSTEM

TYPICAL GLASS RAILING ELEVATION

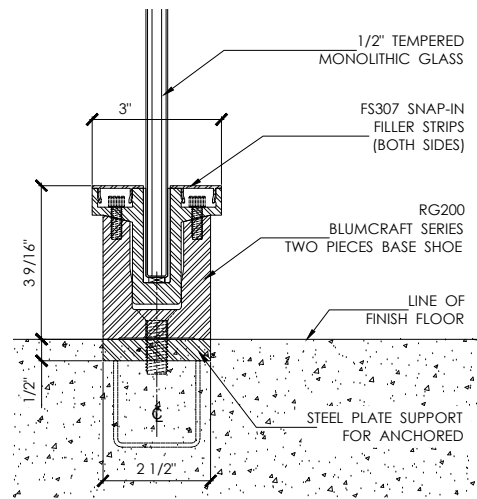


TYPICAL SECTION

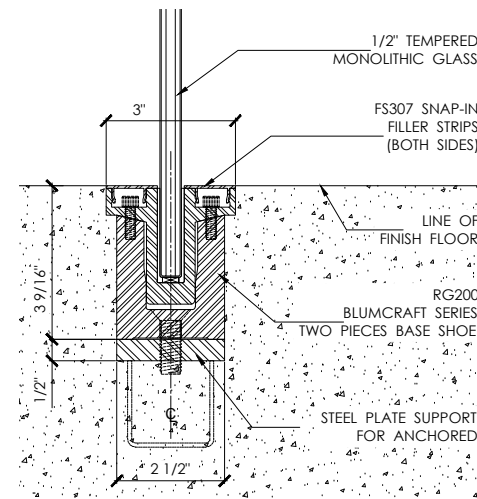
TYPICAL BASE SHOE ATTACHMENTS



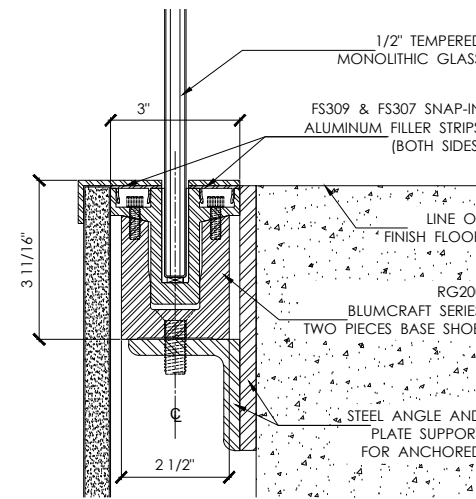
CONCRETE SUBSTRATE
TYPICAL SURFACE MOUNT DETAIL



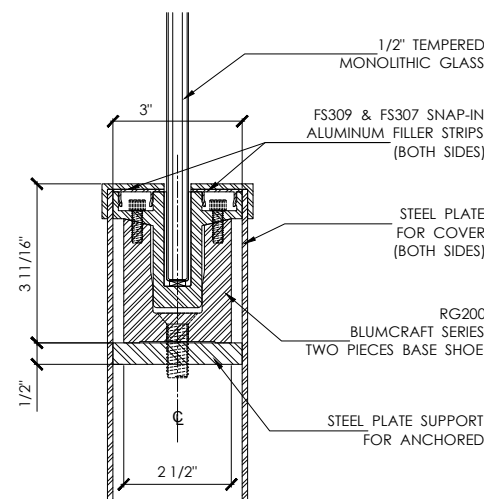
CONCRETE SUBSTRATE
TYPICAL SURFACE MOUNT DETAIL



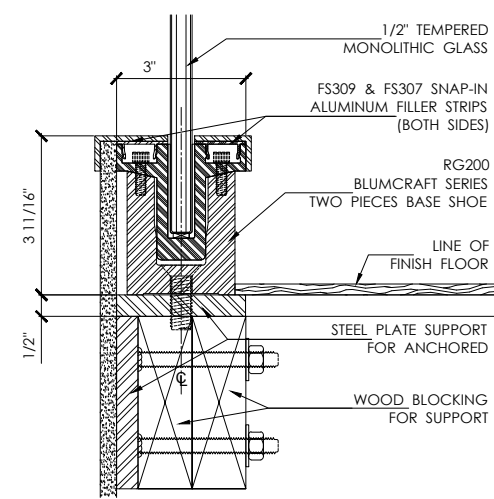
CONCRETE SUBSTRATE
TYPICAL EMBED MOUNT DETAIL



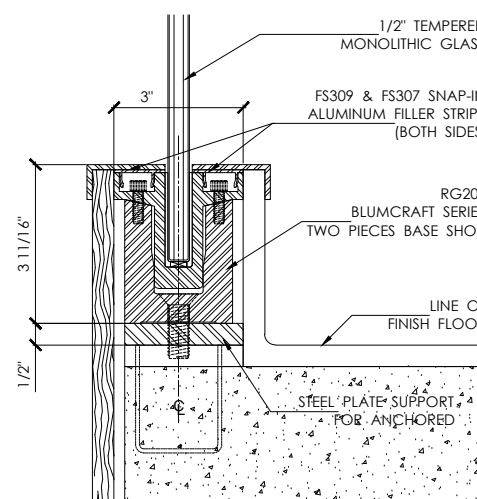
STEEL L - ANGLE SUBSTRATE
TYPICAL FASCIA MOUNT DETAIL



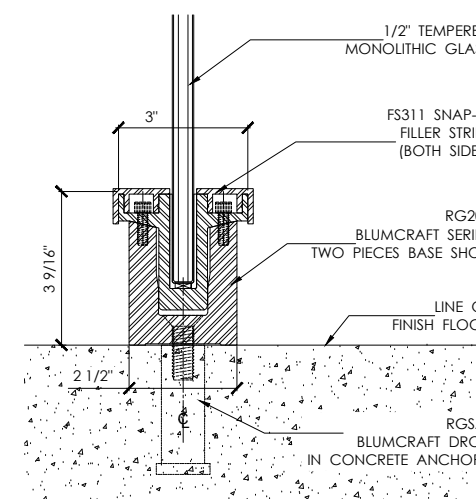
STEEL SUBSTRATE
TYPICAL BOXED STRINGER MOUNT DETAIL



WOOD SUBSTRATE
TYPICAL SURFACE MOUNT DETAIL



CONCRETE SUBSTRATE
TYPICAL SURFACE MOUNT DETAIL



CONCRETE SUBSTRATE
TYPICAL SURFACE MOUNT DETAIL

C.R. LAURENCE CO.
ARCHITECTURAL PRODUCTS
2503 E. Verman Avenue, Los Angeles, CA 90056-1897
PH (800)-421-6144 www.crlaurence.com TX: 800-887-7501

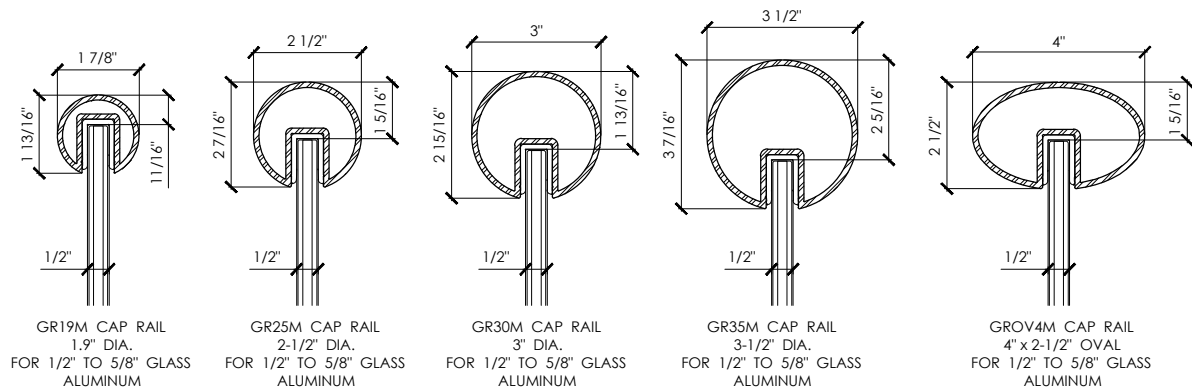
BLUMCRAFT GLASS
RAILING SYSTEM
DRAWING FILES

Description:

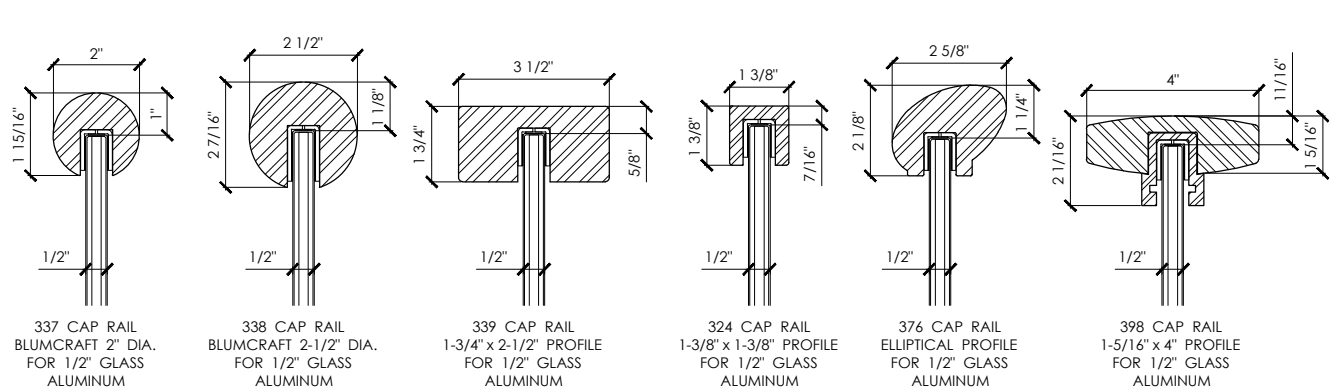
Drawn By: V . R . F .
Date: 09 - 29 - 11
Scale: as shown
File Name: SRS TEMPLATE
Sheet

CRL'S GRS GLASS RAILING SYSTEM CAP RAIL PROFILES FOR MONOLITHIC TEMPERED GLASS APPLICATIONS

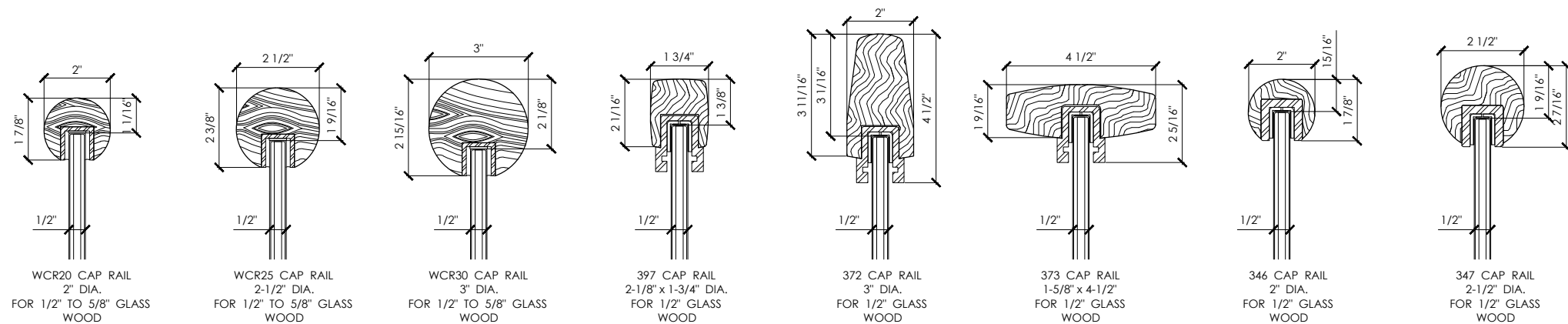
ALUMINUM SHAPES FOR 1/2" TO 5/8" GLASS



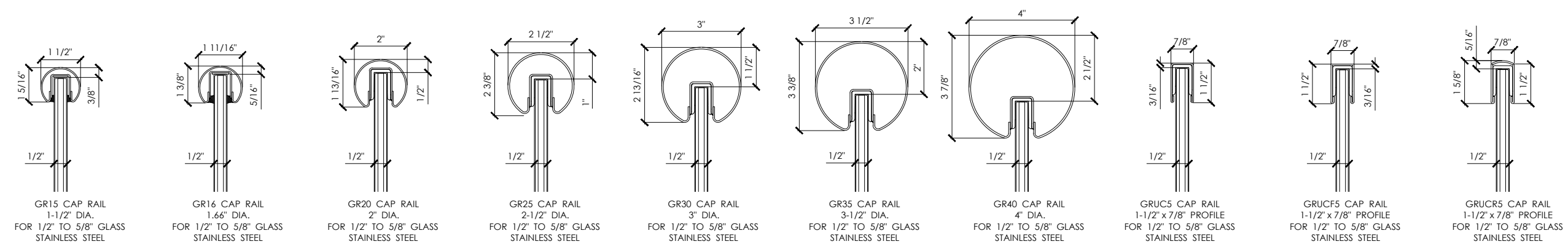
ALUMINUM SOLID SHAPES FOR 1/2" GLASS



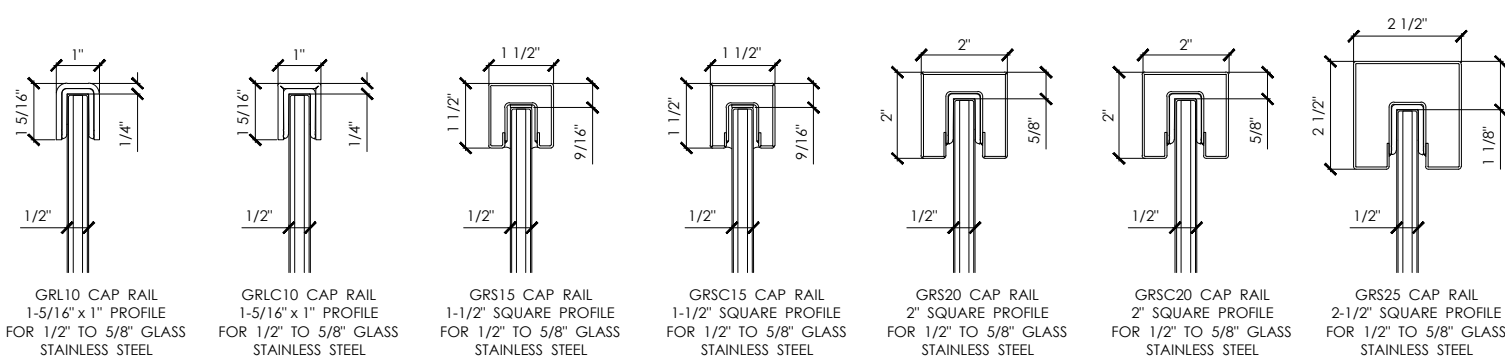
WOOD SHAPES FOR 1/2" TO 5/8" GLASS



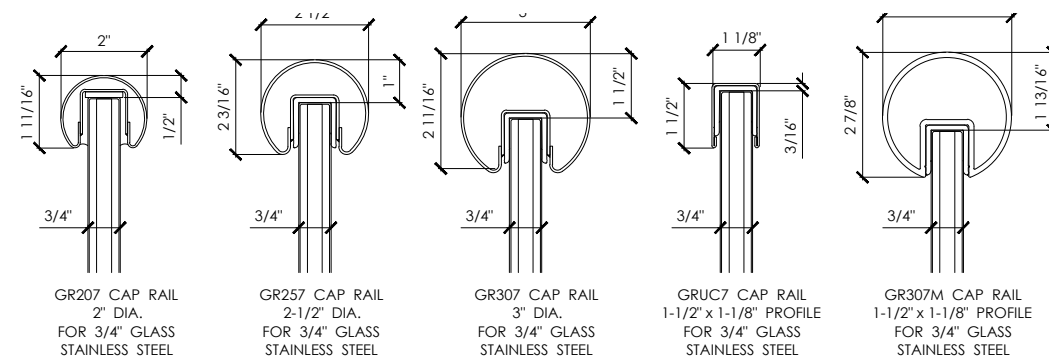
STAINLESS STEEL SHAPES FOR 1/2" TO 5/8" GLASS



STAINLESS STEEL SHAPES FOR 1/2" TO 5/8" GLASS



STAINLESS STEEL SHAPES FOR 3/4" GLASS



Revisions By:



C.R. LAURENCE CO.
ARCHITECTURAL PRODUCTS
2503 E. Vernon Avenue, Los Angeles, CA 90068-1897
PH (800) 421-8444, (213) 800-5877
WWW.CRLALUMINUM.COM

BLUMCRAFT GLASS RAILING SYSTEM DRAWING FILES

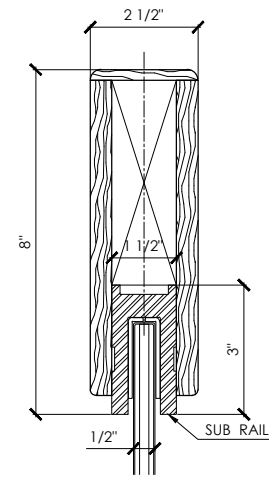
Description:

Drawn By: V . R . F .
Date: 09 - 29 - 11
Scale: as shown
File Name: SRS TEMPLATE

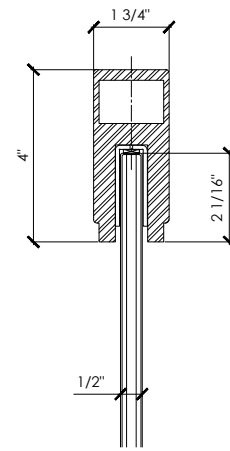
Sheet

SHT-2

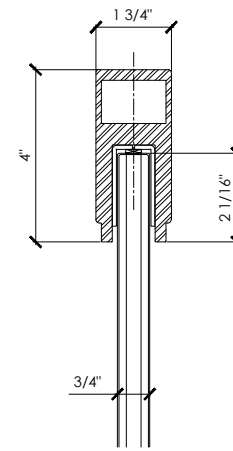
ALUMINUM SOLID SHAPES FOR 1/2" AND 3/4" GLASS



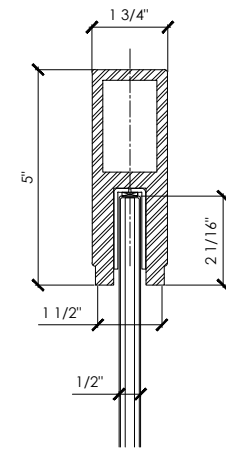
633 BLUMCRAFT SERIES
2-1/2" x 8" PROFILE
FOR 1/2" GLASS
WOOD



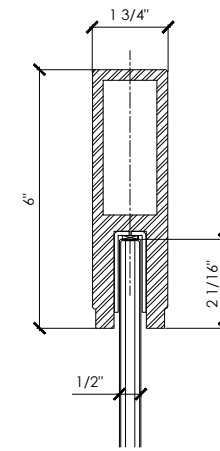
636 BLUMCRAFT SERIES
1-3/4" x 4" PROFILE
FOR 1/2" GLASS
ALUMINUM



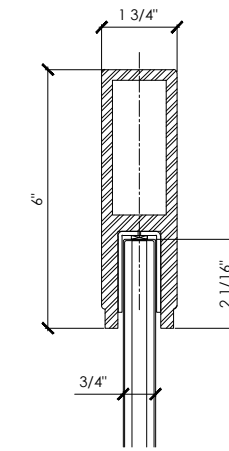
636-3 BLUMCRAFT SERIES
1-3/4" x 4" PROFILE
FOR 3/4" GLASS
ALUMINUM



637 BLUMCRAFT SERIES
1-3/4" x 5" PROFILE
FOR 1/2" GLASS
ALUMINUM

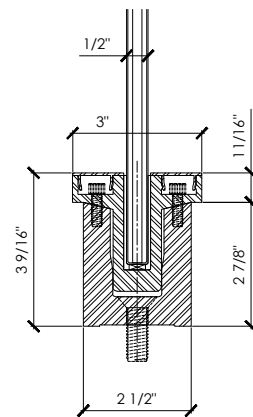


638 BLUMCRAFT SERIES
1-3/4" x 6" PROFILE
FOR 1/2" GLASS
ALUMINUM

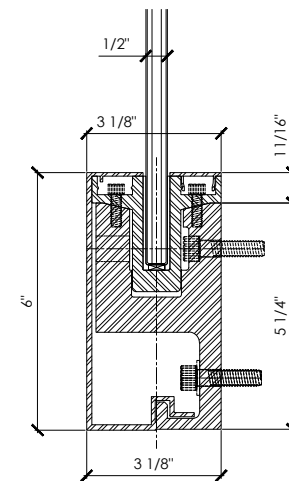


638-3 BLUMCRAFT SERIES
1-3/4" x 6" PROFILE
FOR 3/4" GLASS
ALUMINUM

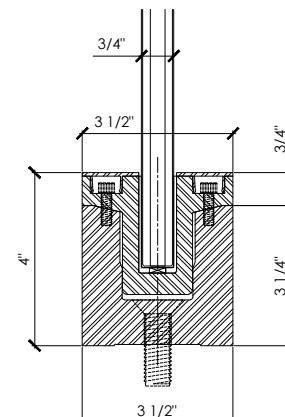
BLUMCRAFT GLASS RAILING SYSTEM BASE SHOES FOR TEMPERED MONOLITHIC GLASS APPLICATIONS



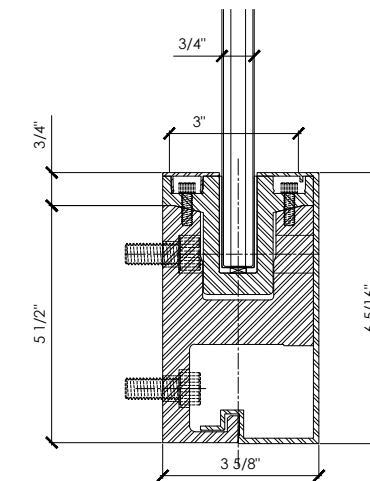
RG200 BLUMCRAFT SERIES
TWO PIECES BASE SHOE
FOR 1/2" GLASS
WET GLAZED ONLY



RG450 BLUMCRAFT SERIES
TWO PIECES BASE SHOE
FOR 1/2" GLASS
WET GLAZED ONLY



RG500 BLUMCRAFT SERIES
TWO PIECES BASE SHOE
FOR 3/4" GLASS
WET GLAZED ONLY



RG650 BLUMCRAFT SERIES
TWO PIECES BASE SHOE
FOR 3/4" GLASS
WET GLAZED ONLY

Revisions By:



BLUMCRAFT GLASS
RAILING SYSTEM
DRAWING FILES

Description:

Drawn By: V . R . F .
Date: 09-29-11
Scale: as shown
File Name: SRS TEMPLATE
Sheet

SHT-3