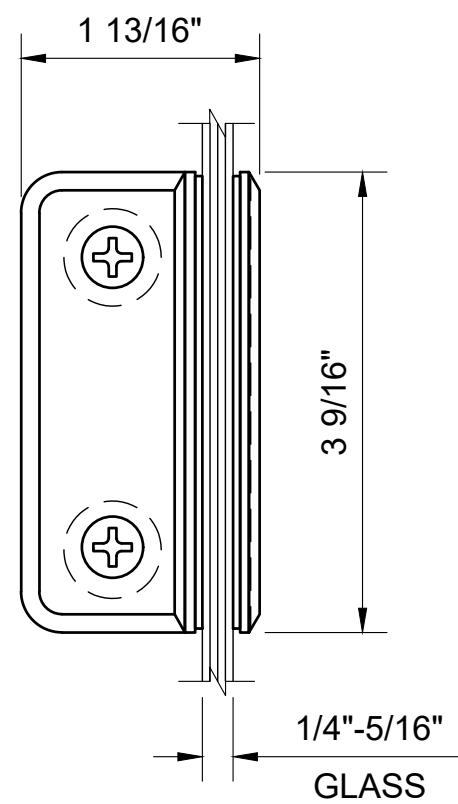
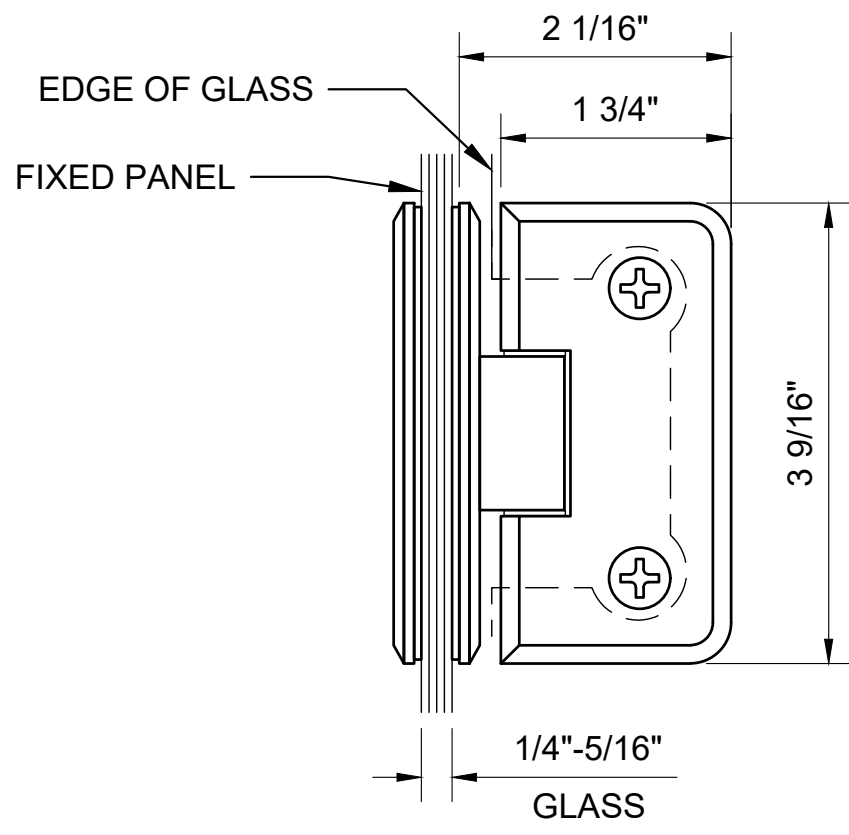
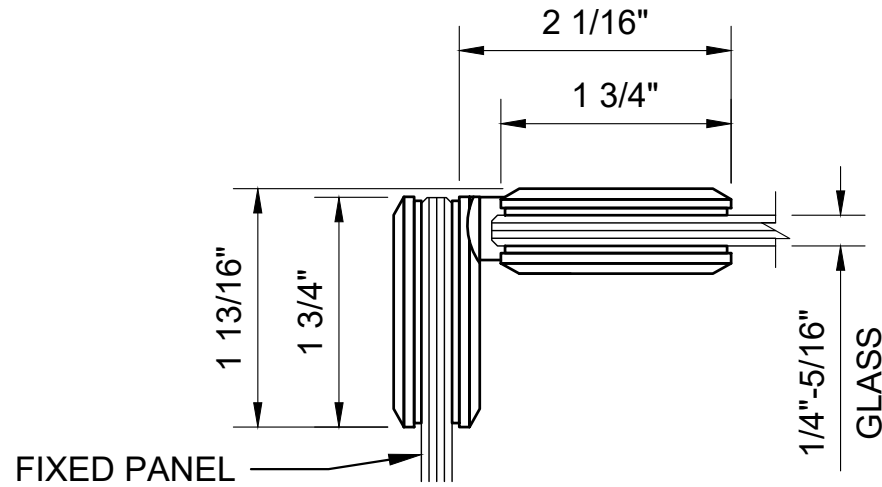


USE OF GASKETS
 FOR 1/4" (6mm) GLASS: USE ONE THICK GASKET ON EACH SIDE
 FOR 5/16" (8mm) GLASS: USE ONE THIN GASKET ON EACH SIDE



CATALOG NUMBER	FINISH
PET090CH	POLISHED CHROME
PET090BR	POLISHED BRASS
PET090GP	GOLD PLATE
PET090SC	SATIN CHROME

PET090XX - CRL PETITE SERIES 90 DEGREE GLASS TO GLASS HINGE

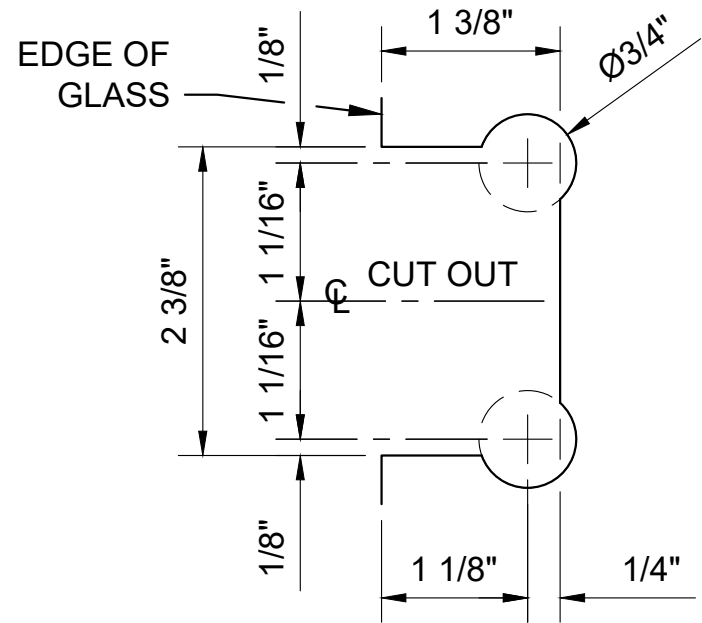
DATE: 3/6/19
 SCALE: 6"=1'-0"
 DRAWN BY: VM

DESCRIPTION: CRL PETITE SERIES HINGE
 CTS
 PET090__ 90° GLASS TO GLASS HINGE

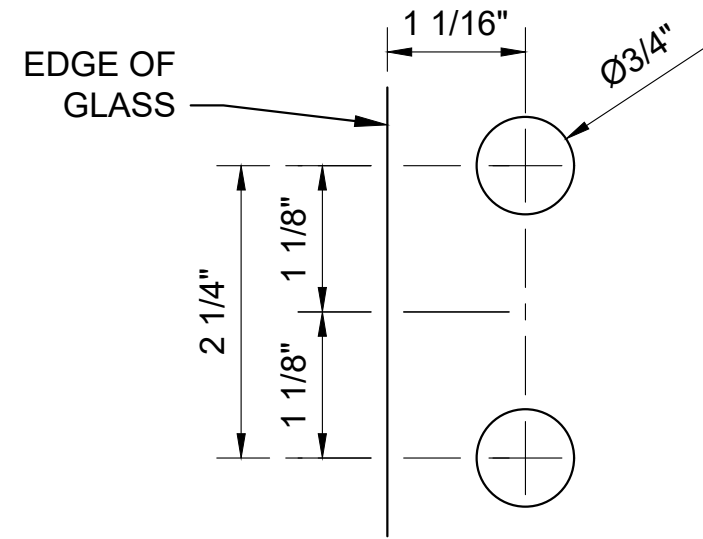
C.R. LAURENCE CO. ARCHITECTURAL PRODUCTS
 2503 E. Vernon Avenue, Los Angeles, C.A 90058-1897
 PH (800)-421-6144 FX: 800-587-7501 www.crlaurence.com



USE OF GASKETS	
FOR 1/4" (6mm) GLASS: USE ONE THICK GASKET ON EACH SIDE	
FOR 5/16" (8mm) GLASS: USE ONE THIN GASKET ON EACH SIDE	



GLASS FABRICATION
DOOR TEMPLATE



GLASS FABRICATION
FIXED PANEL TEMPLATE

CATALOG NUMBER	FINISH
PET090CH	POLISHED CHROME
PET090BR	POLISHED BRASS
PET090GP	GOLD PLATE
PET090SC	SATIN CHROME

CRL - PET090XX GLASS FABRICATION TEMPLATES

DATE:	3/6/19
SCALE:	6"=1'-0"
DRAWN BY:	VM

DESCRIPTION: CRL PETITE SERIES HINGE
CTS
PET090__ 90° GLASS TO GLASS HINGE

C.R. LAURENCE CO. ARCHITECTURAL PRODUCTS
2503 E. Vernon Avenue, Los Angeles, C.A 90058-1897
PH (800)-421-6144 FX: 800-587-7501 www.crlaurence.com

