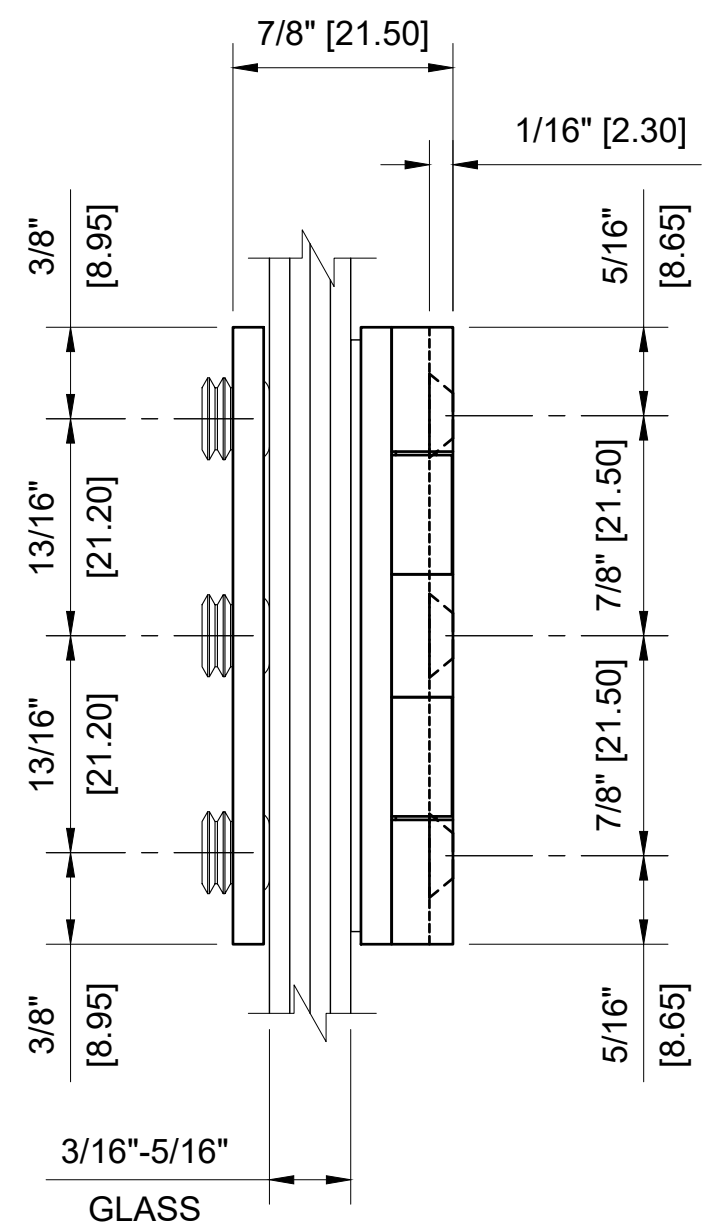
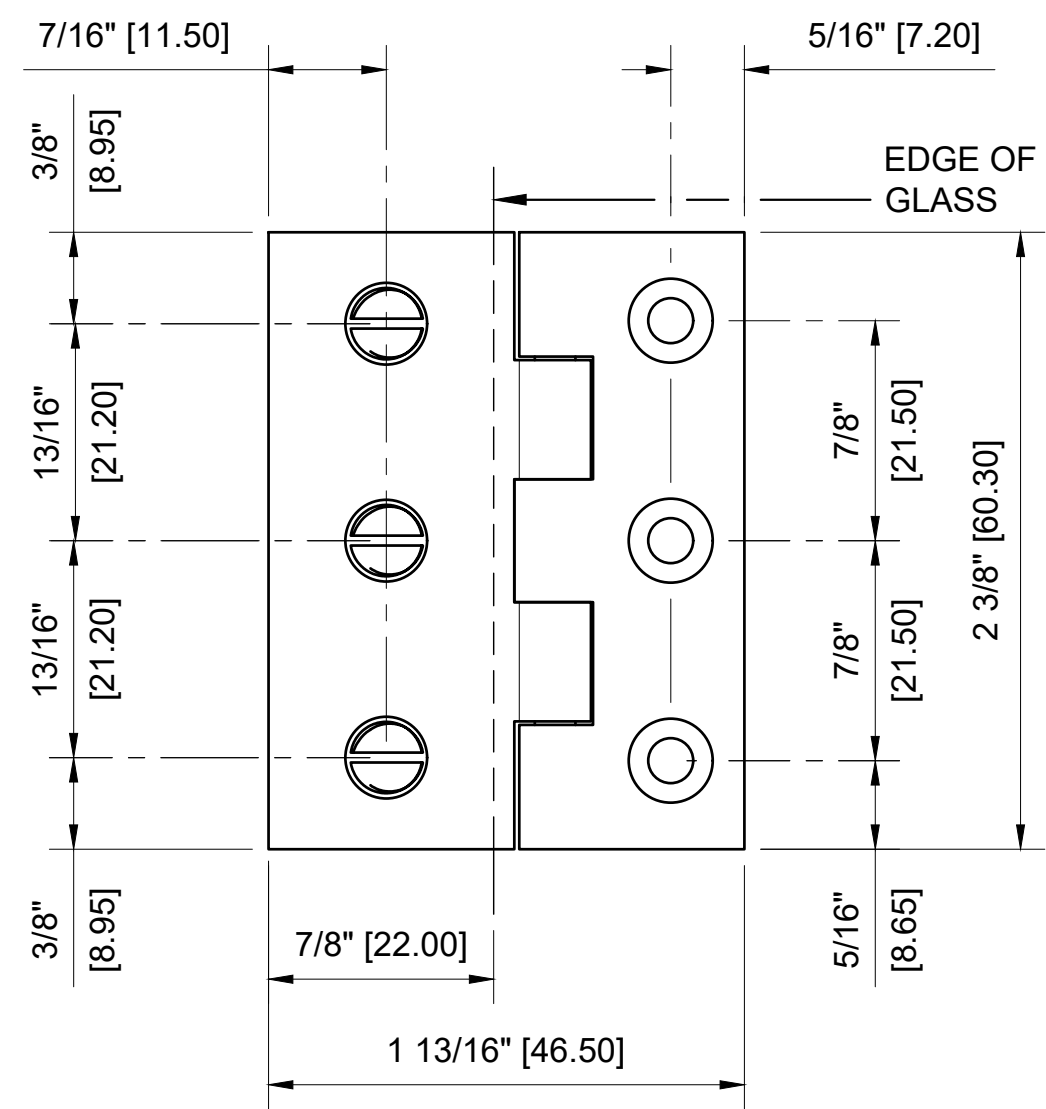
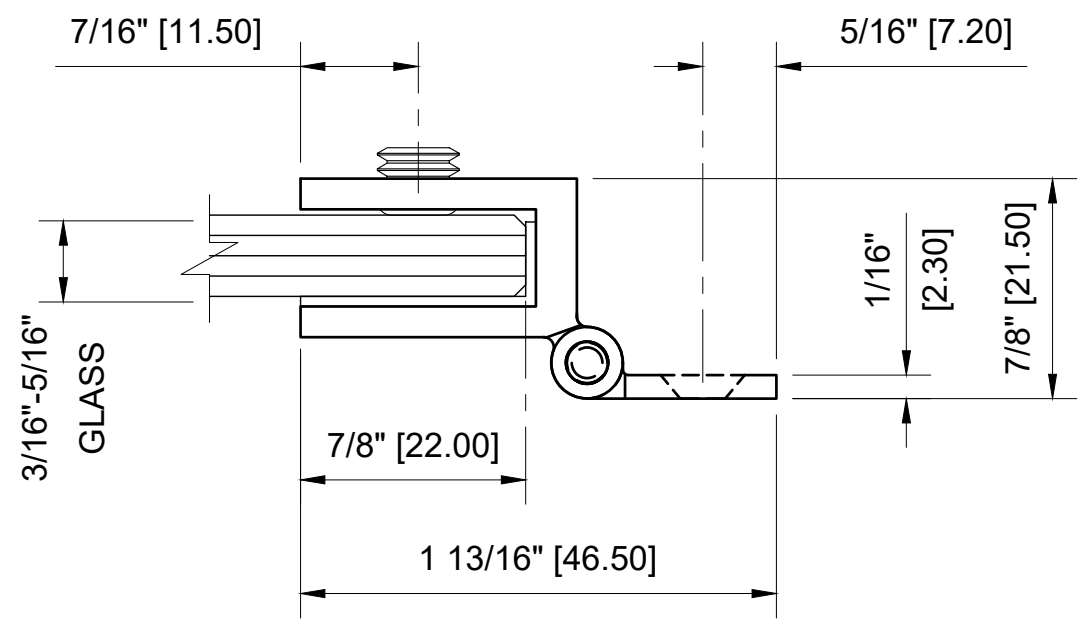


3/16" (5mm) GLASS:
 5/16" (8mm) GLASS:



CRL - EH169 LARGE 2-3/8" WALL MOUNT HINGE FOR 3/16" - 5/16" GLASS

DATE: 7-17-2020
 SCALE: 1'-0"=1'-0"
 DRAWN BY: VM

DESCRIPTION: CRL - EH169 BRUSHED NICKEL
 CTS
 LARGE WALL MOUNT SET SCREW HINGE
 www.crlaurence.com

C.R. LAURENCE CO. ARCHITECTURAL PRODUCTS
 2503 E. Vernon Avenue, Los Angeles, CA 90058-1897
 PH (800)-421-6144 FX: 800-587-7501 www.crlaurence.com

