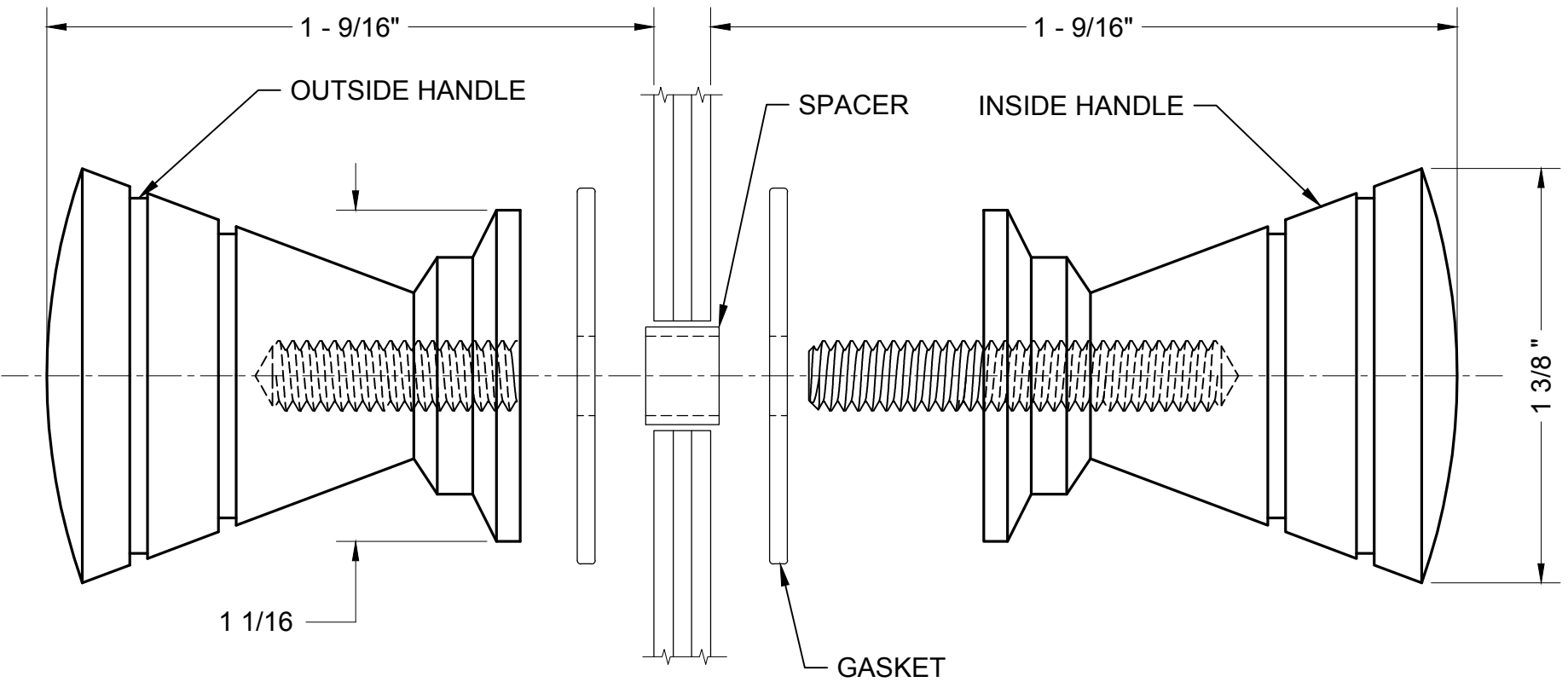


PART NUMBER	FINISH
SDK046CH	CHROME
SDK046BR	POLISHED BRASS
SDK0460RB	OIL RUBBED BRONZE
SDK046BN	BRUSHED NICKEL
SDK046BSC	BRUSHED SATIN CHROME
SDK046PN	POLISHED NICKEL
SDK046SB	SATIN BRASS
SDK046SC	SATIN CHROME
SDK046W	WHITE

Material: Solid Brass
Glass Thickness Range: 1/4" to 1/2"
Hole Diameter Required: 1/2"



C.R.LAURENCE CO.
ARCHITECTURAL PRODUCTS
PH (800)-421-6144 FX: 800-587-7501
www.crlaurence.com

DESCRIPTION:
RIBBED BOW TIE KNOB BACK TO BACK

PART #:	SEE CHART	DATE:	10/23/18
FILE NAME:	SDK046	SCALE:	NTS
DRAWN BY:	BRIAN R.		