

SENIOR SERENITY SERIES SRSER78 SLIDING DOOR KIT



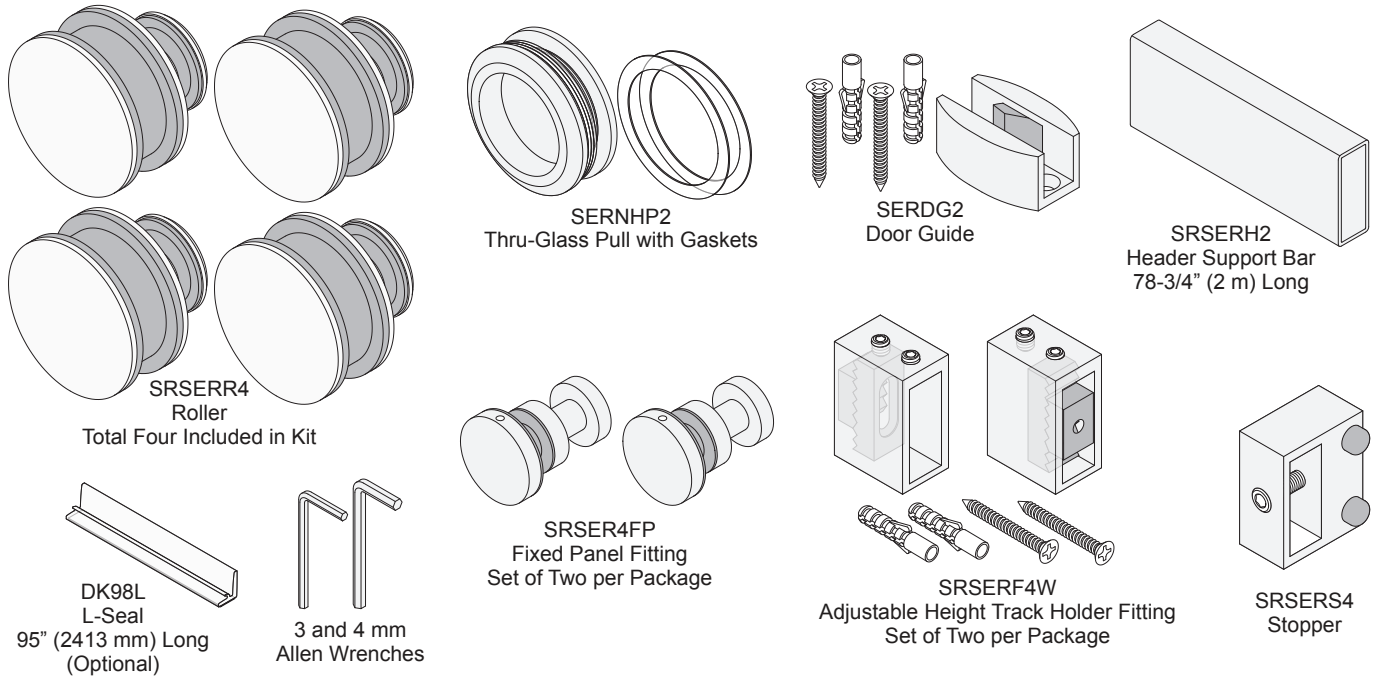
NOTE: Glass and U-Channels not included.

ORDER OF ASSEMBLY AND INSTALLATION

PARTS LIST	3
SPECIFICATIONS	3
GLASS FABRICATION	4
SLIDING DOOR PREPARATION	5
Unpack Rollers	5
Install Top Rollers	5
SITE PREPARATION	6
Determine Panel Orientation	6
Mark Location for Header Support Bar	6
FRAME FABRICATION	7
Prepare Header Support Bar for Fixed Panel Fittings	7
Prepare for Door Stopper	7
FRAME INSTALLATION	8 - 10
Mount Track Holder Fittings	8
Install Door Stopper	8
Install Header	8
Install Fixed Panel Curb Mounts	9
Install Fixed Panel	9
Unpack and Prepare Bottom Door Guide	10
Install Bottom Door Guide	10
SLIDING DOOR INSTALLATION	11
Hang Sliding Door	11
Install Bottom Rollers	11
FINISHING	12
Unpack and Install Thru-Glass Pull	12
Install L-Seal	12

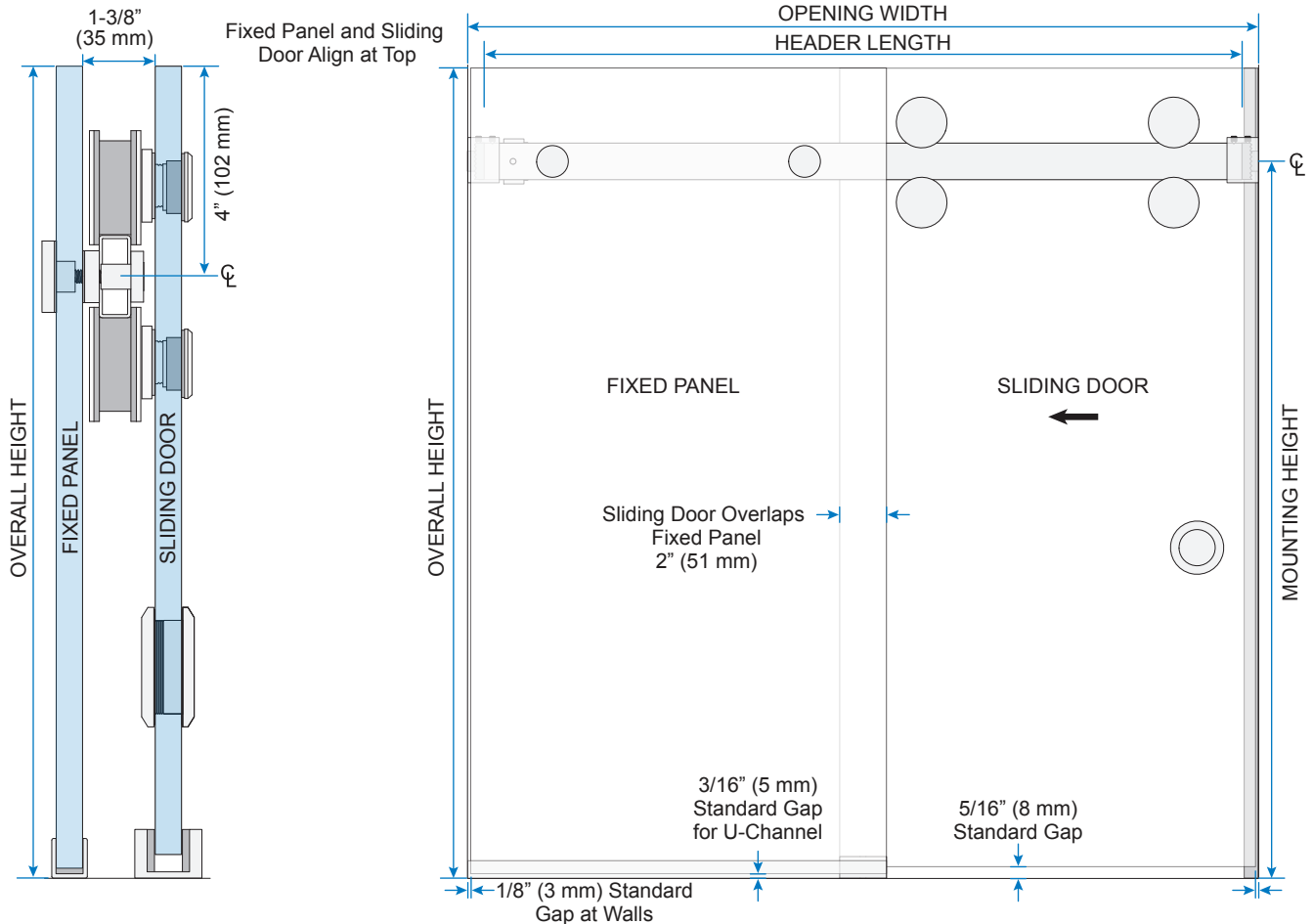
IMPORTANT: READ THIS MANUAL THOROUGHLY BEFORE BEGINNING INSTALLATION.

PARTS LIST



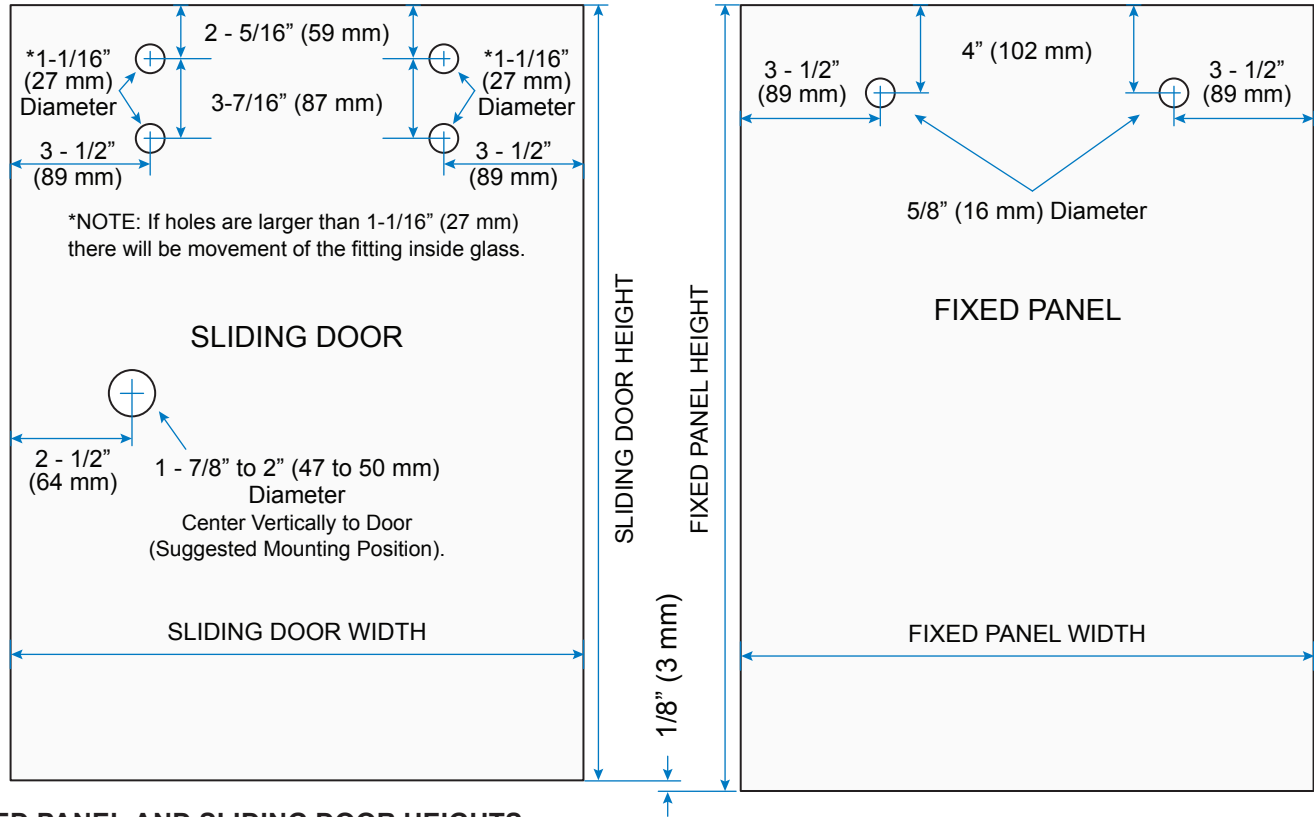
SPECIFICATIONS

Drawing not to scale. Shown from exterior.



GLASS FABRICATION

Use 1/2" (12 mm) Tempered Glass only. Do not use Laminated Glass.



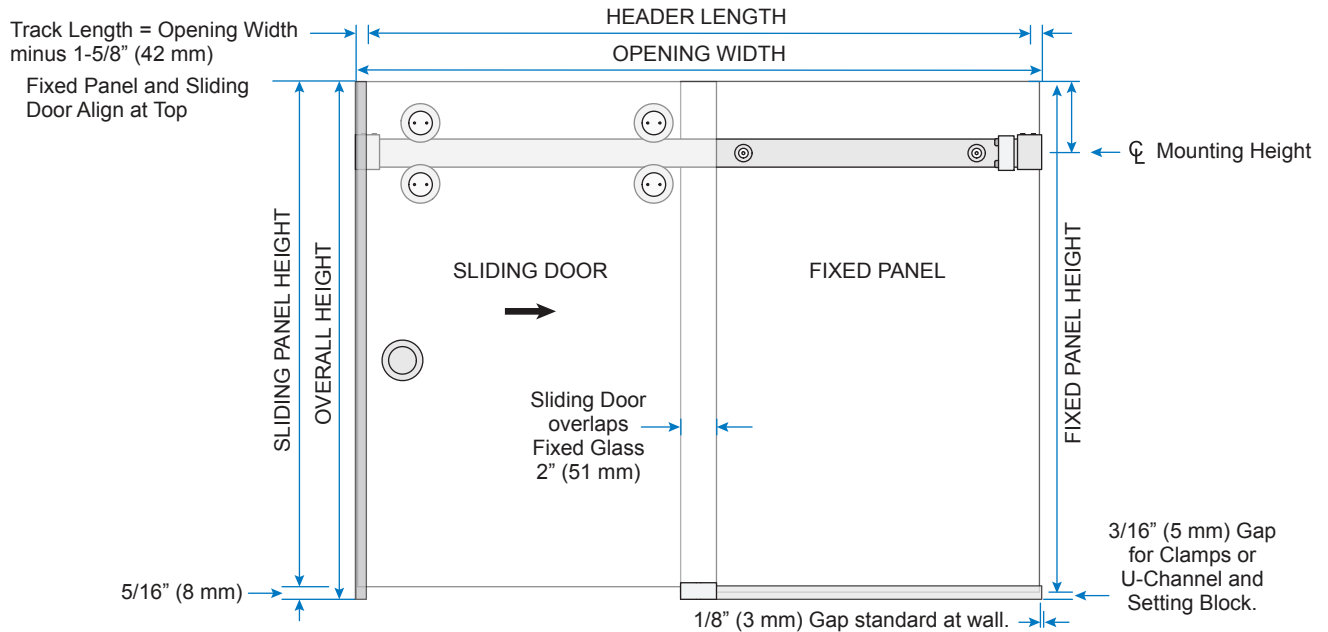
FIXED PANEL AND SLIDING DOOR HEIGHTS

FIXED PANEL: Overall Height minus 3/16" (5 mm)

SLIDING DOOR: Overall Height minus 5/16" (8 mm)

FIXED PANEL AND SLIDING DOOR WIDTHS

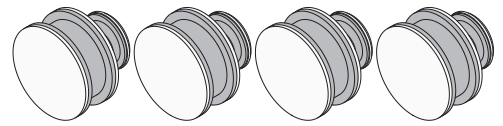
2 EVEN PANELS: Overall Width divided by 2, plus 7/8" (22 mm).



NOTE: Drawings not shown to scale. Track is cut 1-5/8" (42 mm) less than Opening Width and centered in opening. Overall Height is height from curb/floor to top of glass. Drawings shown from interior.

SLIDING DOOR PREPARATION

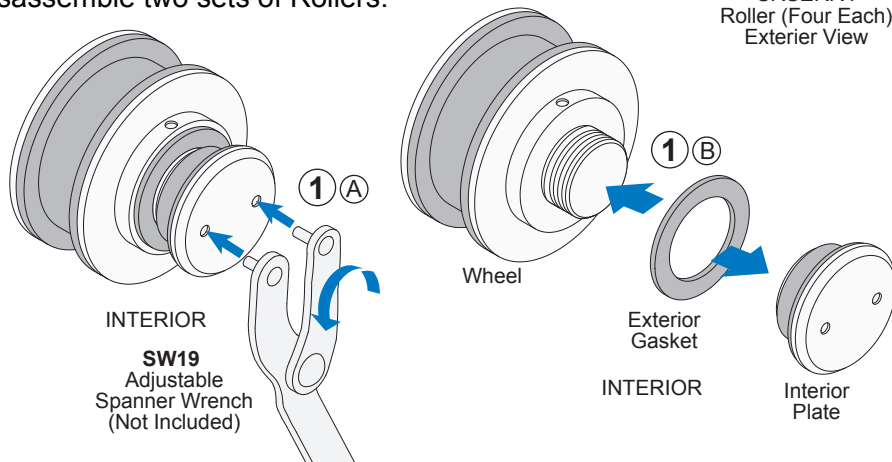
Unpack Rollers



SRSERR4
Roller (Four Each)
Exterior View

① Unpack and partially disassemble two sets of Rollers.

NOTE: Rollers shipped assembled.
Spanner Wrench not included.



Install Top Rollers

② Adjust wheel height.

③ Install Top Rollers on Sliding Door.

NOTE: Lower Rollers are installed after door is hung. See Page 10.

②

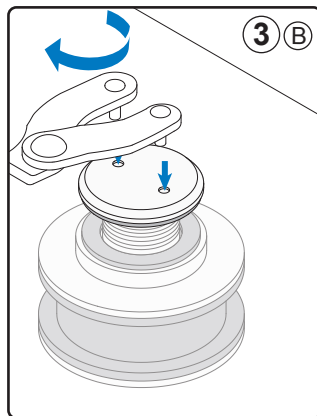
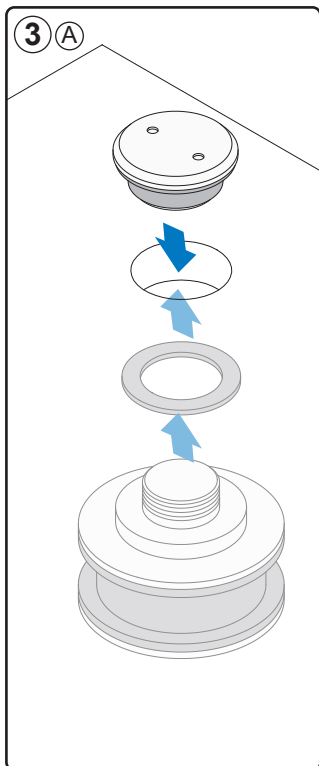
Centered

Wheel with Gasket

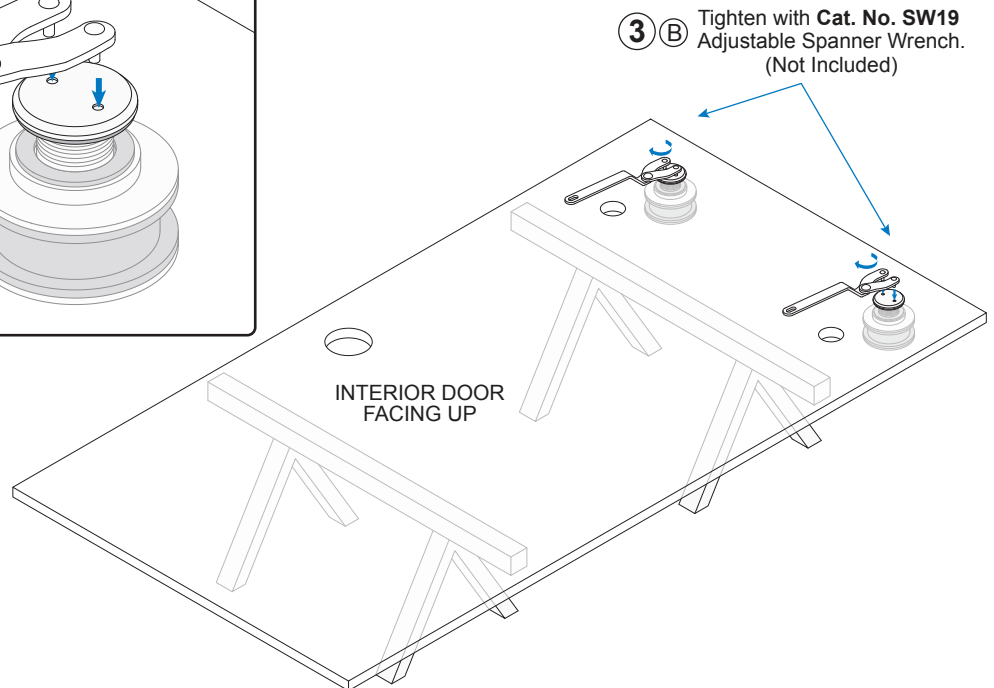
Centered Minimum Maximum

Loosen Screw and Turn Interior Plate to Adjust Roller Height when Installed.

NOTE: Install Rollers with Wheel aligned at center of out-of-round position. This makes it easier to adjust door height.



Install Top Rollers.
Lower Rollers installed after door is hung.

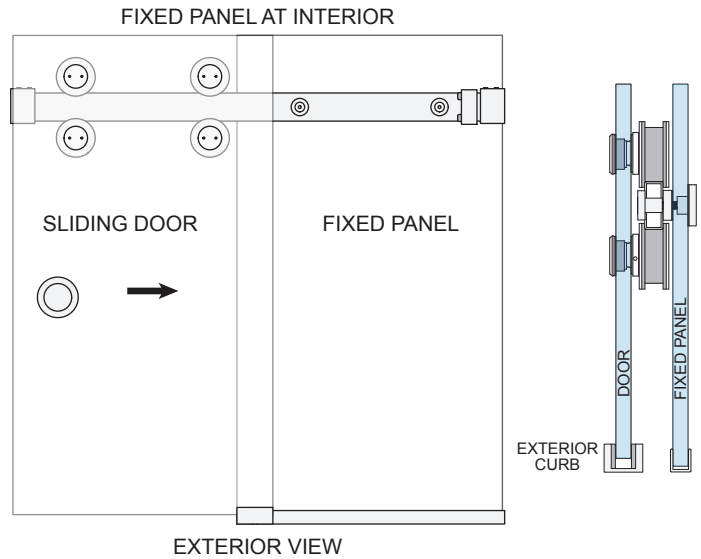
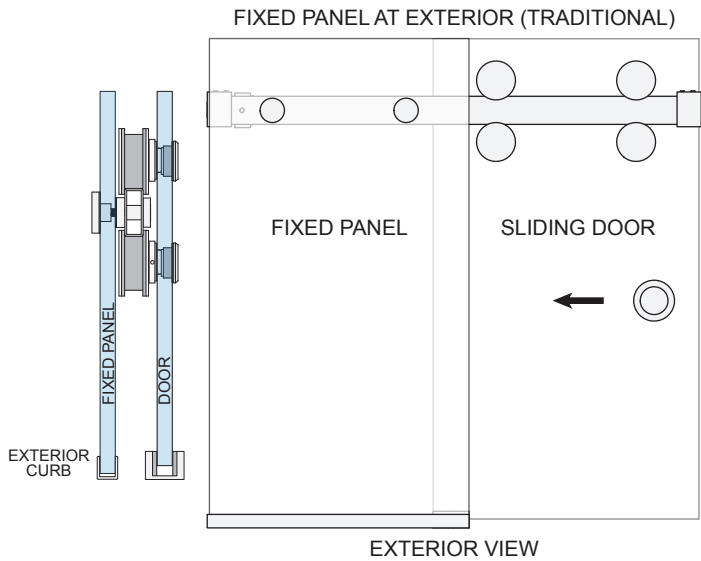


SITE PREPARATION

Determine Panel Orientation

Determine Fixed Panel placement.

NOTE: Fixed Panel at exterior shown in this manual. Mirror instructions to mount Fixed Panel to interior. **CRL SW19** Adjustable Spanner Wrench shown for installation, not included.

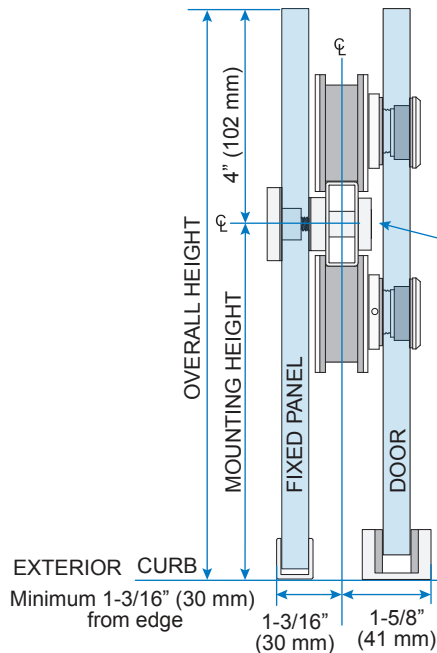


NOTE: Traditional placement is Fixed Panel on curb side, with mounting plate at interior.

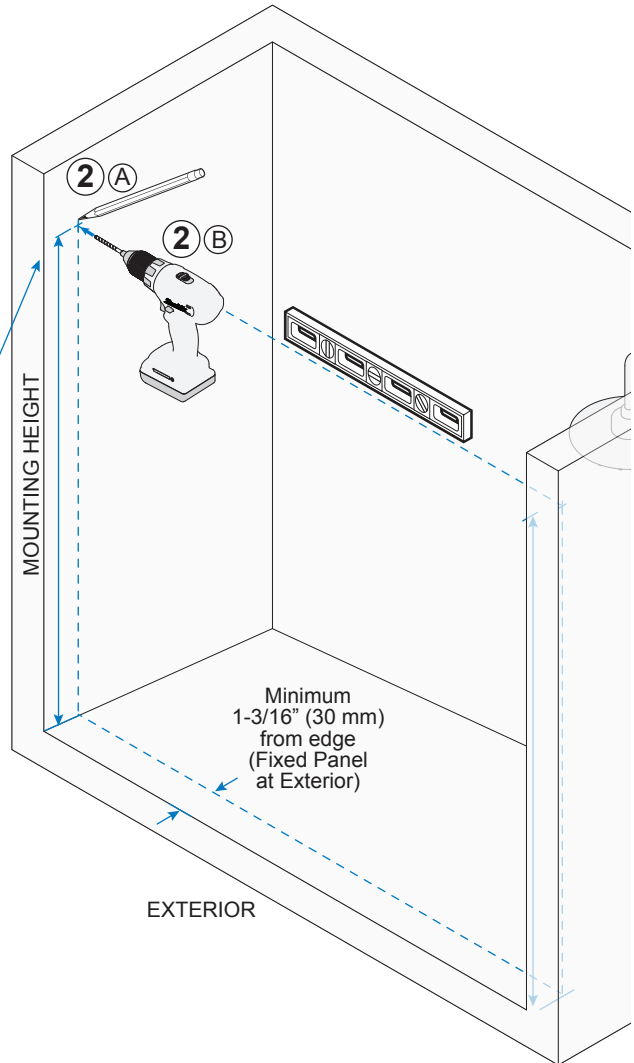
NOTE: Header Support Bar is not centered between Sliding Door and Fixed Panel. When installing Fixed Panel to exterior (traditional placement) allow at least 1-3/16" (30 mm) from edge to install Bottom Guide. When installing Sliding Door to exterior, allow at least 1-5/8" (41 mm) from edge.

Mark Location for Header Support Bar

Mark and drill holes for Header Support Bar.



MOUNTING POSITION

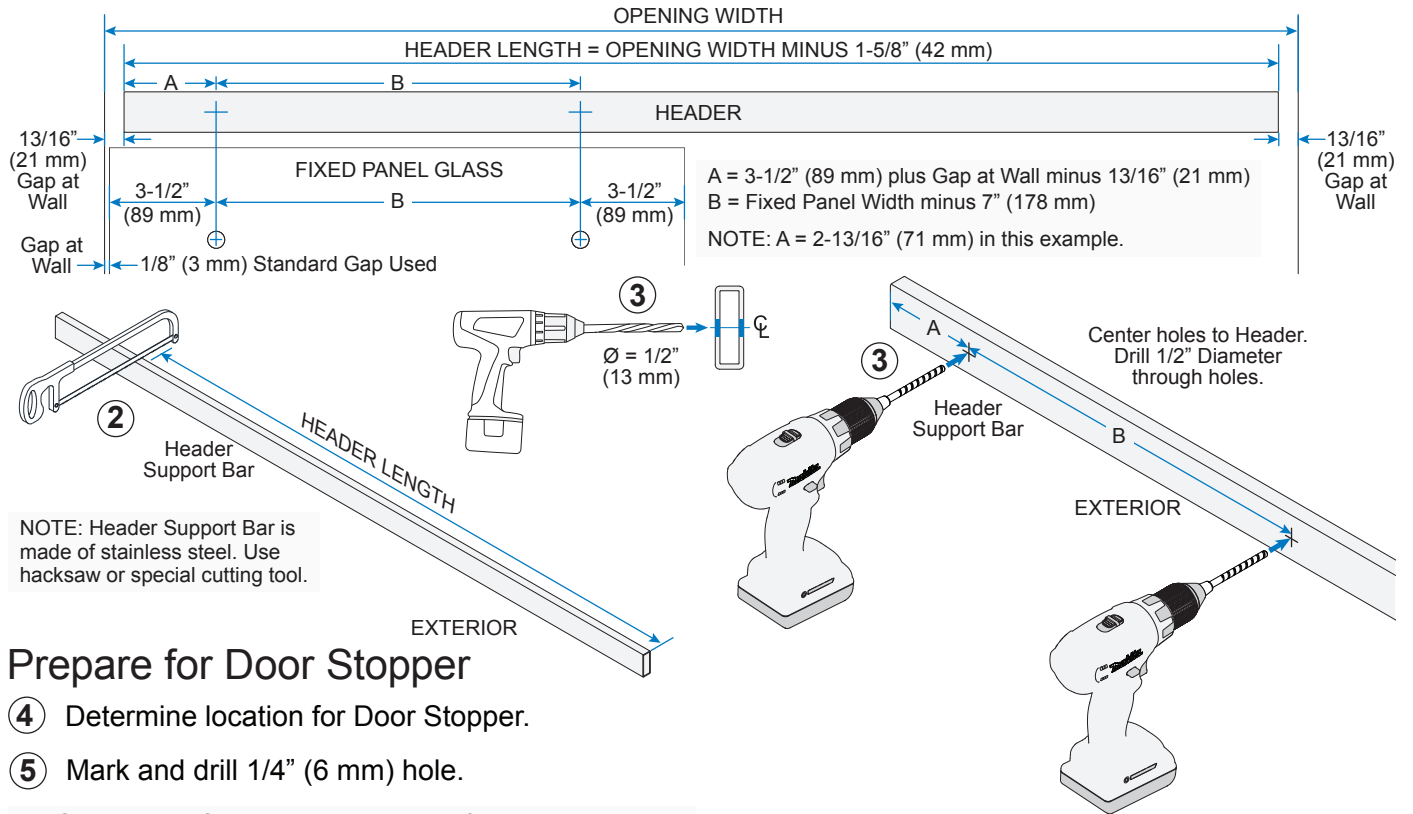


FRAME FABRICATION

Prepare Header Support Bar for Fixed Panel Fittings

- ① Measure opening width at mounting points.
- ② Cut SRSERH78 Header Support Bar.
- ③ Drill holes for Fixed Panel Fittings.

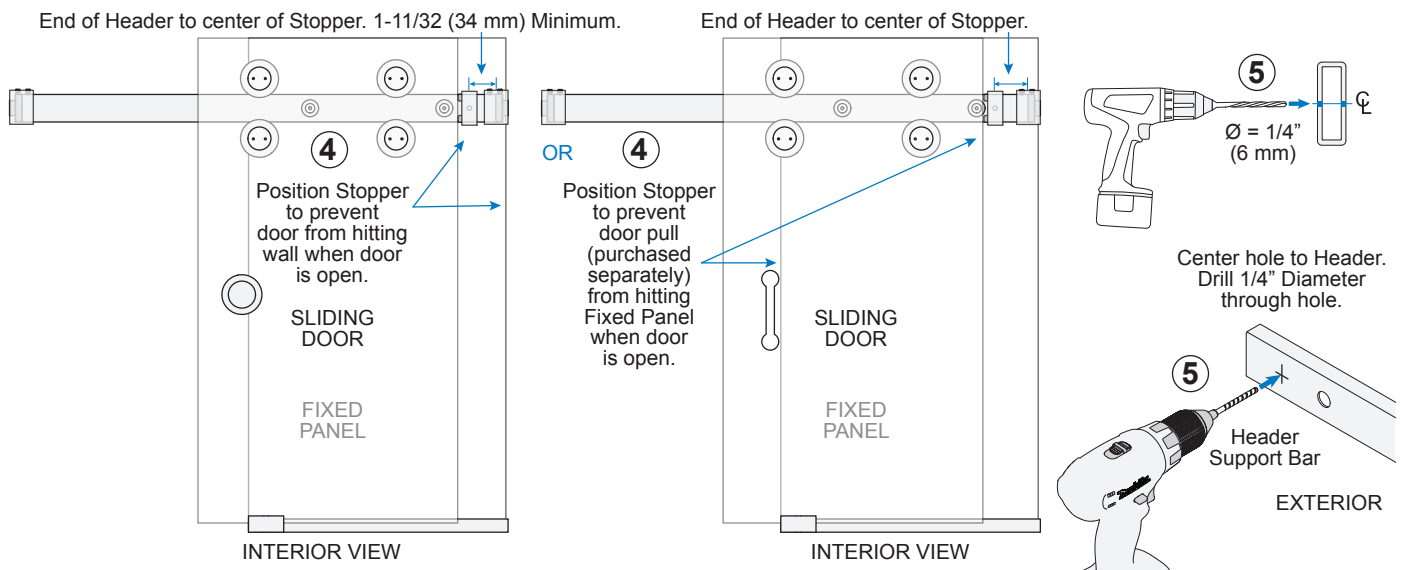
NOTE: Header Support Bar is cut 1-5/8" (42 mm) short from tight dimension and centered in opening, leaving 13/16" (21 mm) gap on each end to mount. Refer to Fixed Panel Glass fabrication and gap allowance between Fixed Panel and wall to determine mounting hole placement.



Prepare for Door Stopper

- ④ Determine location for Door Stopper.
- ⑤ Mark and drill 1/4" (6 mm) hole.

IMPORTANT: Door Stopper must be installed before Header is mounted.

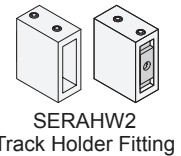


FRAME INSTALLATION

Mount Track Holder Fittings

- ① Unpack Track Holder Fittings. Loosen Set Screws to remove Mounting Blocks.
- ② Fasten Mounting Blocks to wall.

NOTE: Track Holder Fittings shown orientated for installation. Set Screw at end holds Base to Mounting Blocks while second Set Screw secures Base to Header when installed.



Install Door Stopper

- ③ Unpack and remove Screw from side of Door Stopper. Slide onto Header.

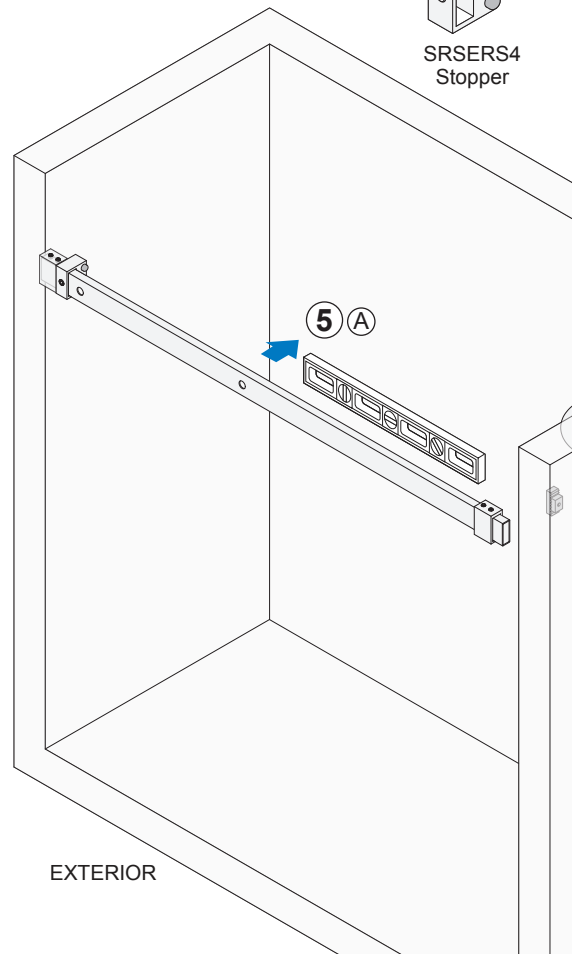
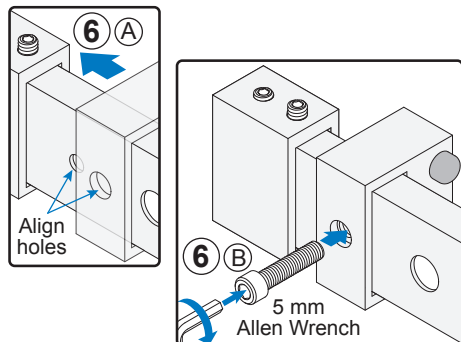
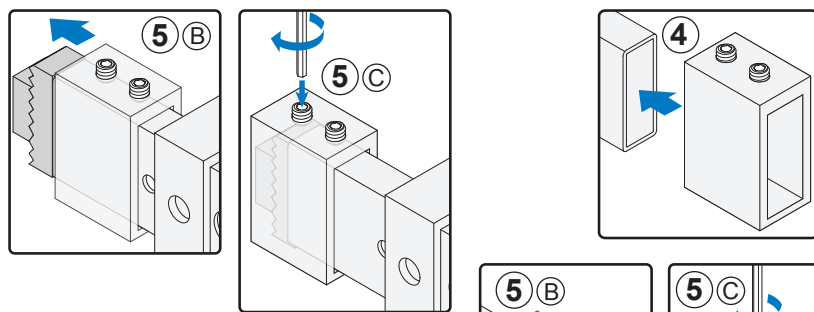
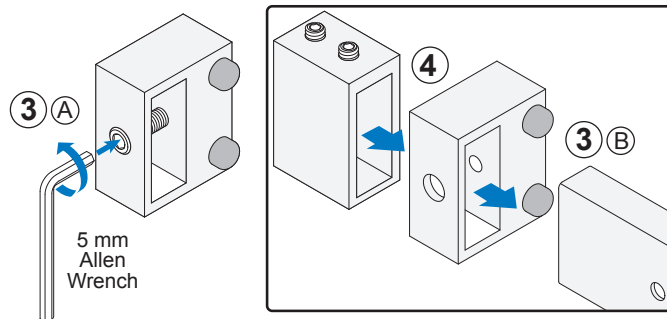
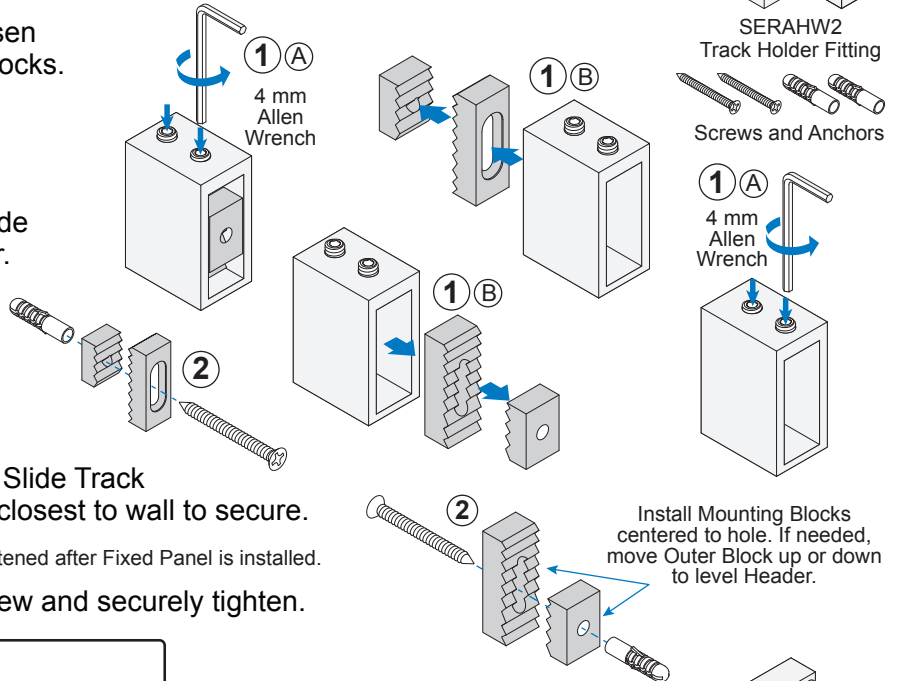
NOTE: Orient Stopper with Rubber Bumpers facing door. Secure in place after Header is installed.

Install Header

- ④ Slide Track Fittings onto Header.
- ⑤ Align Header with Mounting Block. Slide Track Fittings to wall. Tighten Set Screw closest to wall to secure.

NOTE: Set Screws securing Header to Fitting are tightened after Fixed Panel is installed.

- ⑥ Slide Stopper into place, install screw and securely tighten.



FRAME INSTALLATION (CONTINUED)

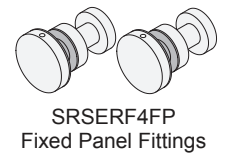
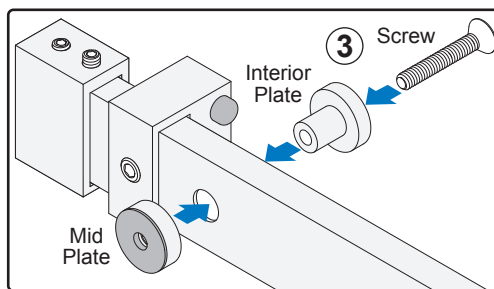
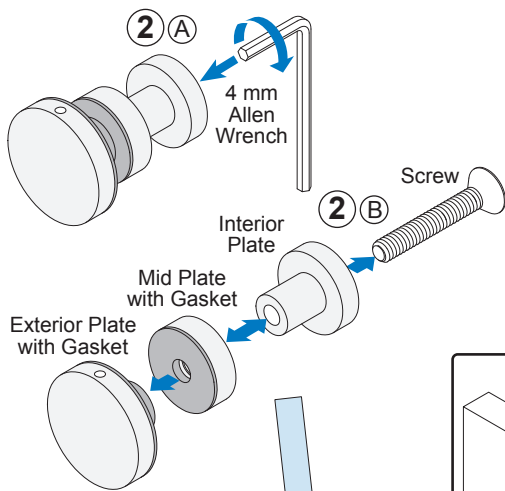
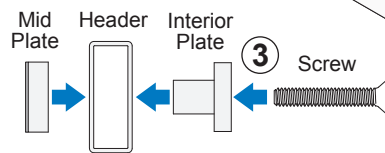
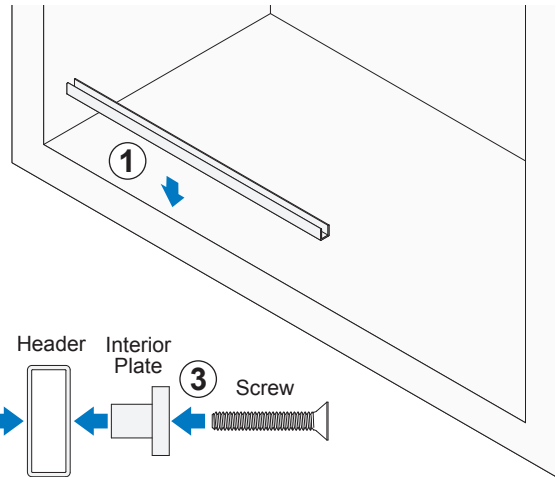
Install Fixed Panel Curb Mounts

- 1 Mount Clamps or U-Channel on curb.

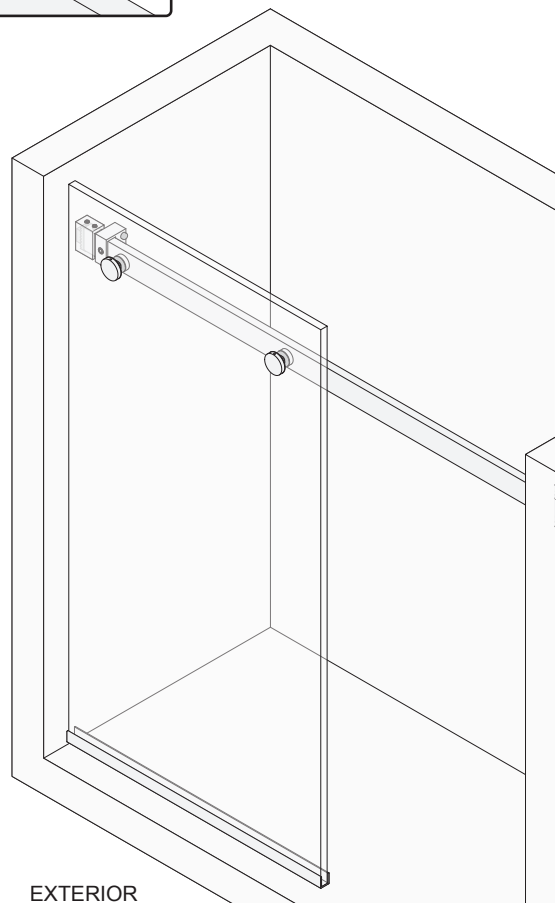
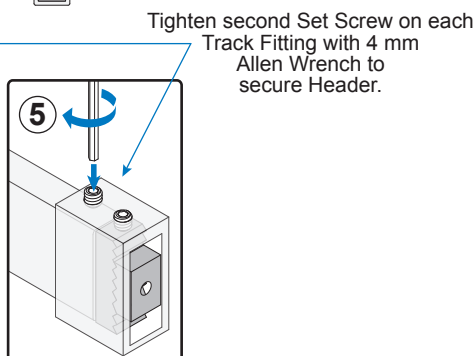
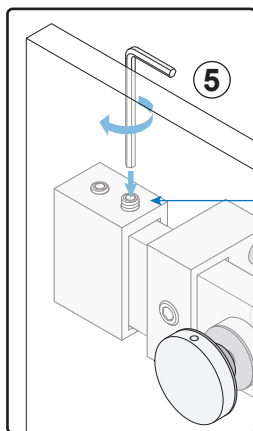
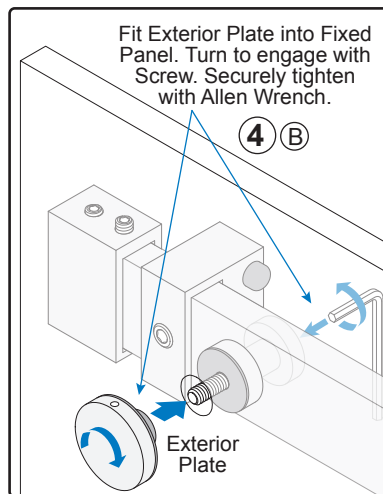
NOTE: U-Channel shown. Not Included.

Install Fixed Panel

- 2 Unpack and disassemble Fixed Panel Fittings.
- 3 Fit Interior and Mid Plates in Header Mounting Holes.
- 4 Align holes in Fixed Panel with Header Mounting Holes. Install Exterior Plate and tighten Fittings.
- 5 Tighten Track Fitting Set Screws to secure Header.



4 (A) Lower Fixed Panel into U-Channel, then align holes with Fittings.

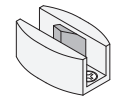


NOTE: U-Channel not included. Shown as example only.

FRAME INSTALLATION (CONTINUED)

Unpack and Prepare Bottom Door Guide

- 1 Rotate Guide Insert so notch aligns with Guide Base inset for 1/2" (12 mm) glass.



SERDG2 Door Guide



Screws and Anchors

Install Bottom Door Guide

- 2 Hang Sliding Door and carefully slide back and forth to check height.

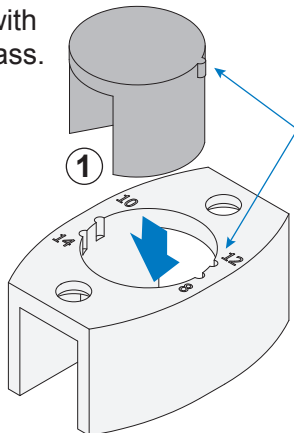
NOTE: See Page 5 to Prepare Door before hanging and to adjust Roller height if needed.

- 3 Place Door Guide to engage with Sliding Door. Close Door, adjust Guide position and outline.

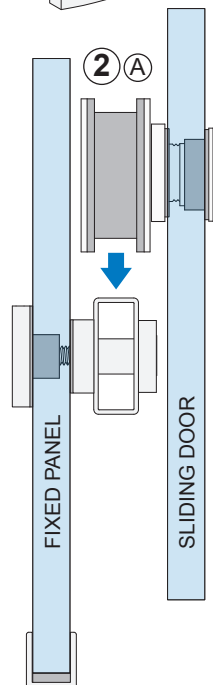
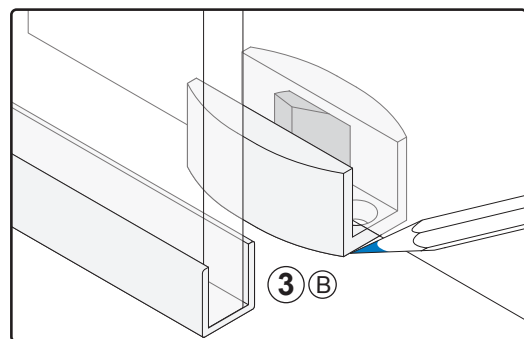
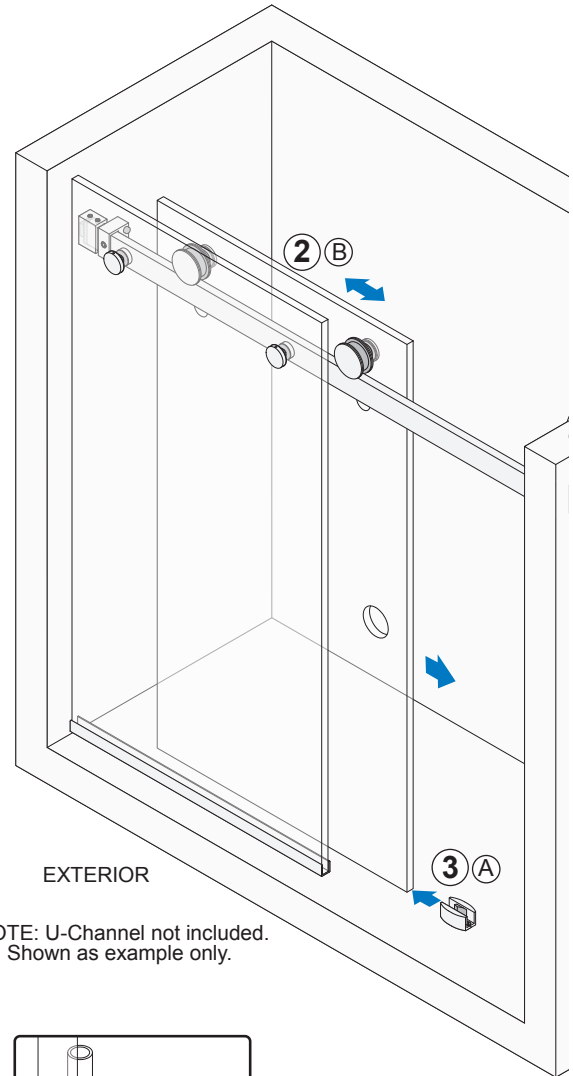
- 4 Remove Door to mark holes.

- 5 Remove Guide. Drill hole and insert anchor.

- 6 Secure Guide.

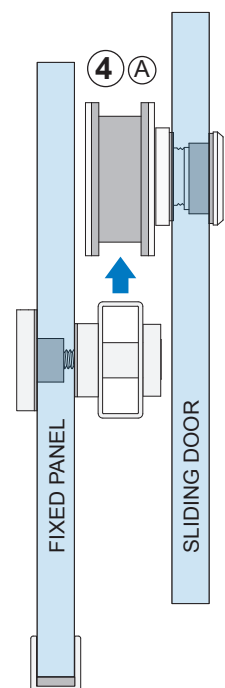
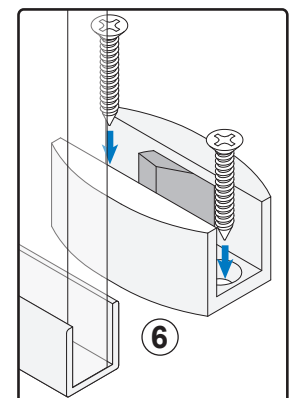
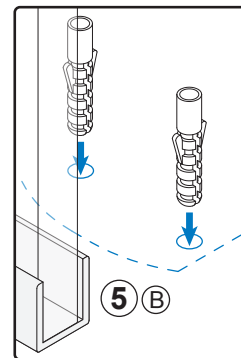
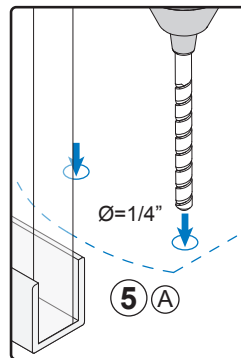
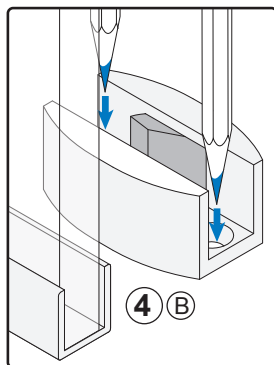


Position notch to 12.



EXTERIOR

NOTE: U-Channel not included. Shown as example only.



SLIDING DOOR INSTALLATION

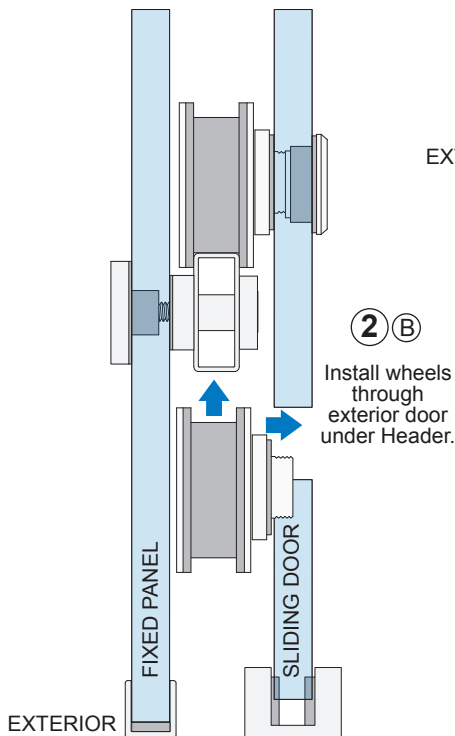
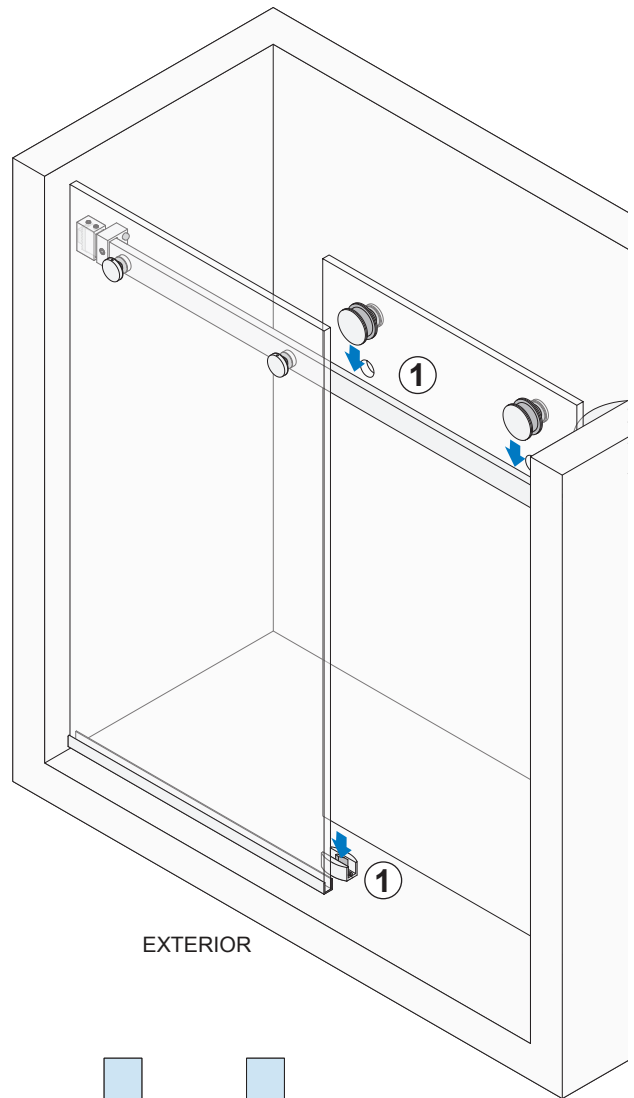
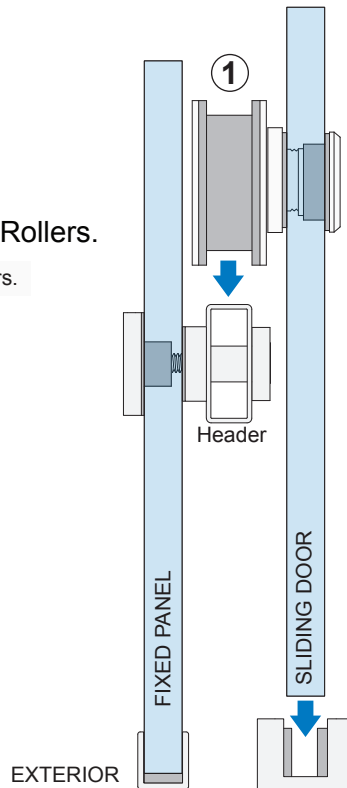
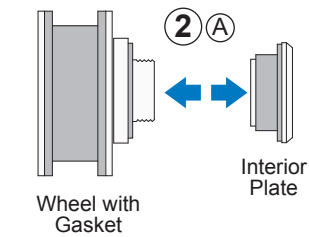
Hang Sliding Door

- 1 Hang Sliding Door placing Glass inside Bottom Guide.

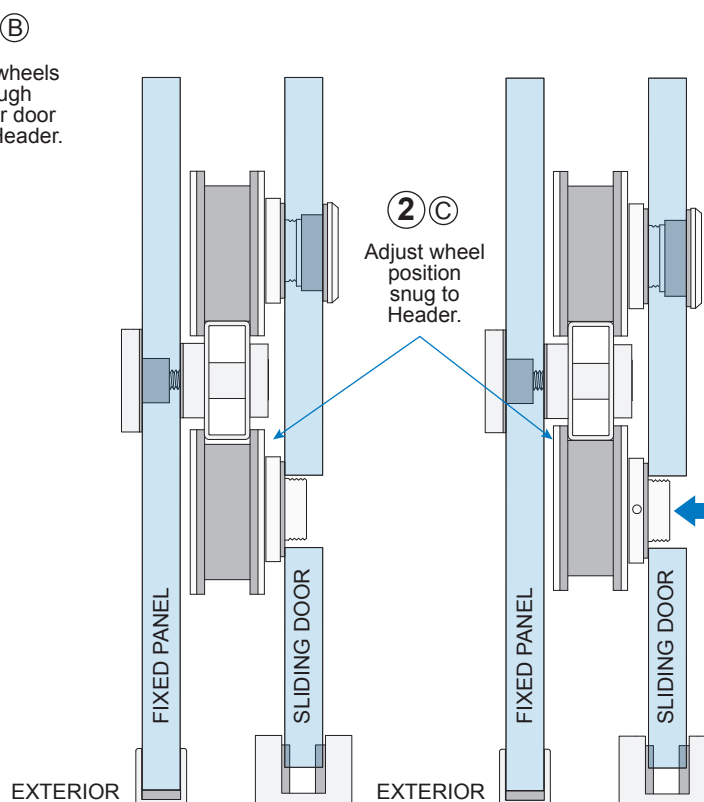
Install Bottom Rollers

- 2 Prepare and install Bottom Rollers.

NOTE: See Page 5 before installing Rollers.



NOTE: Begin with wheel aligned to center of out-of-round position. See Page 5.

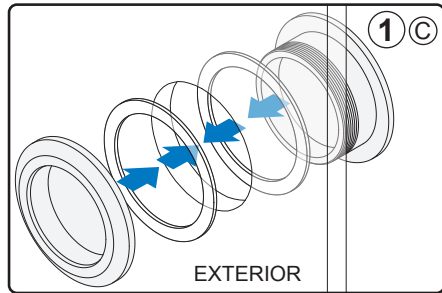
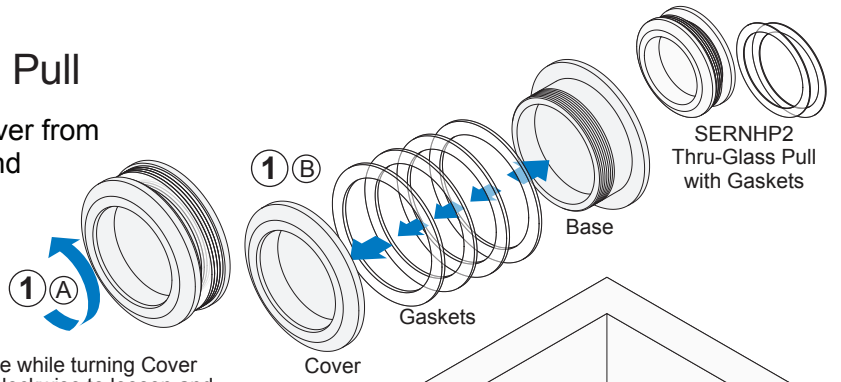


FINISHING

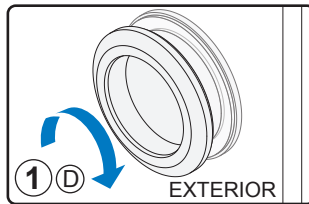
Unpack and Install Thru-Glass Pull

- 1 Unscrew Thru-Glass Pull. Separate Cover from Base, select combination of gaskets, and reassemble on Sliding Glass Door.

NOTE: Three pairs of Gaskets in various widths included. Select one gasket or combine several to obtain desired thickness. Place on each side of glass so Pull is snug.



Hold Base while turning Cover counter-clockwise to loosen and clockwise to tighten.



Install L-Seal

- 2 Cut and install L-Seal.

NOTE: Temporarily attach L-Seal to Sliding Door and use as guide for final position.

