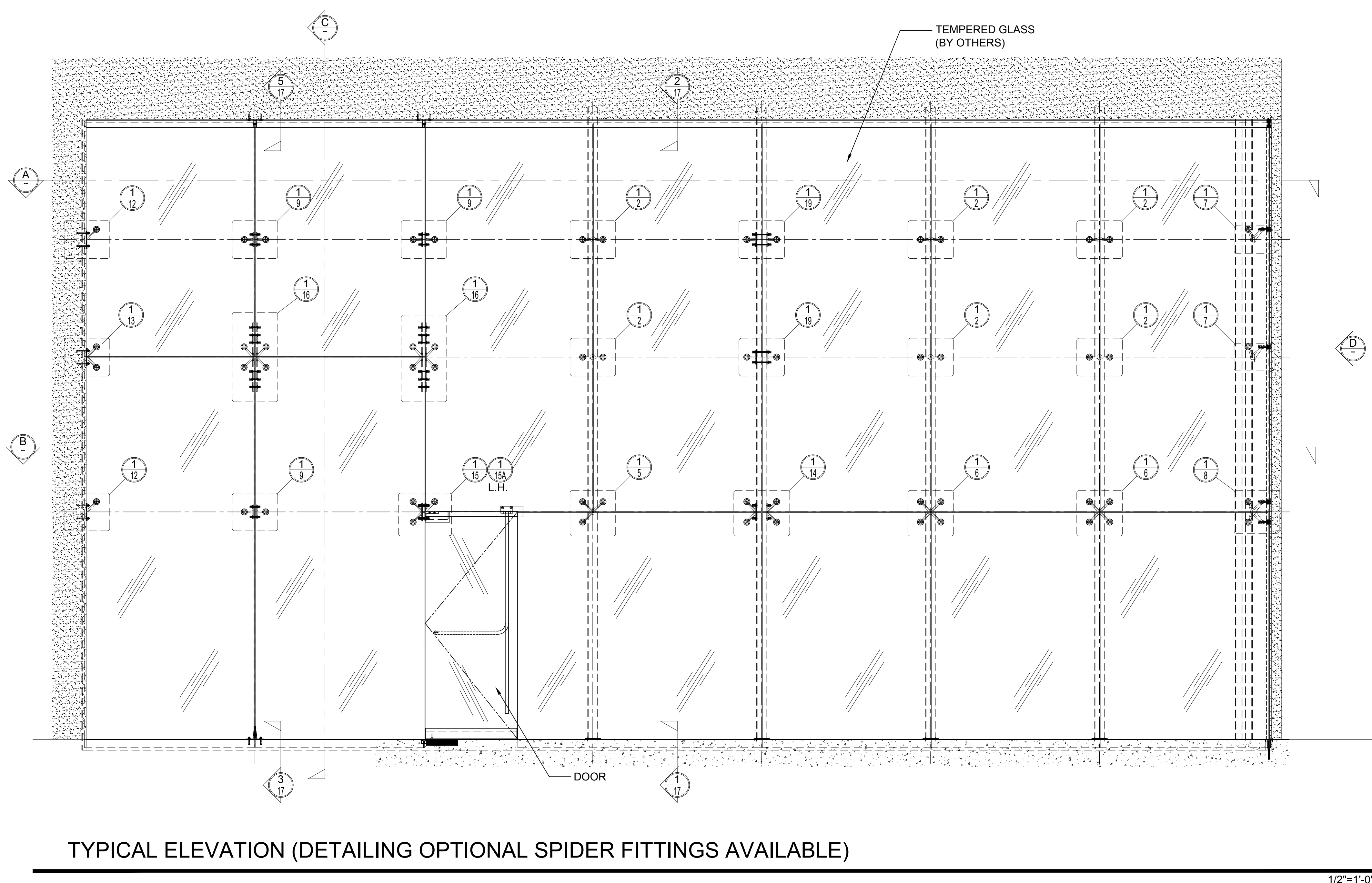
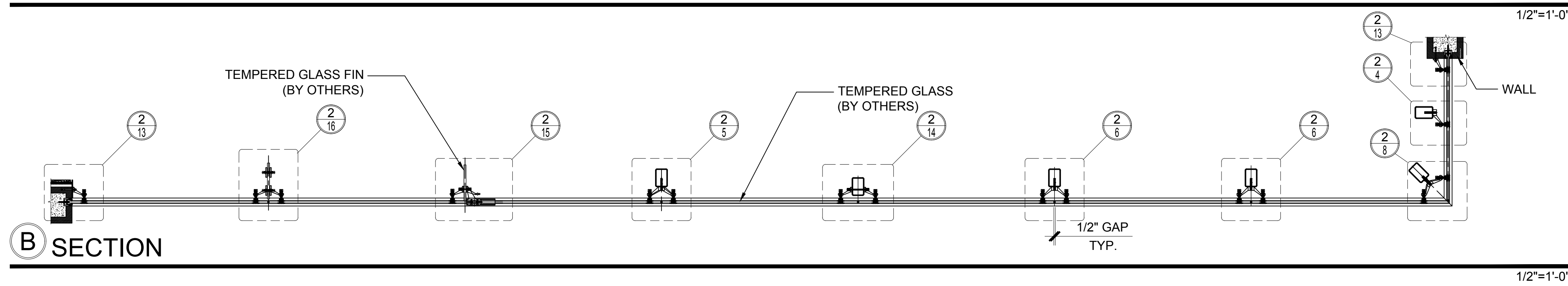
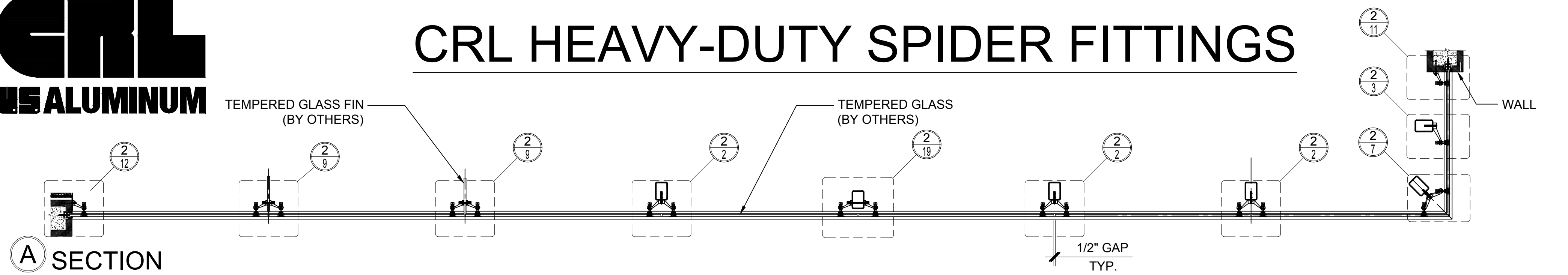
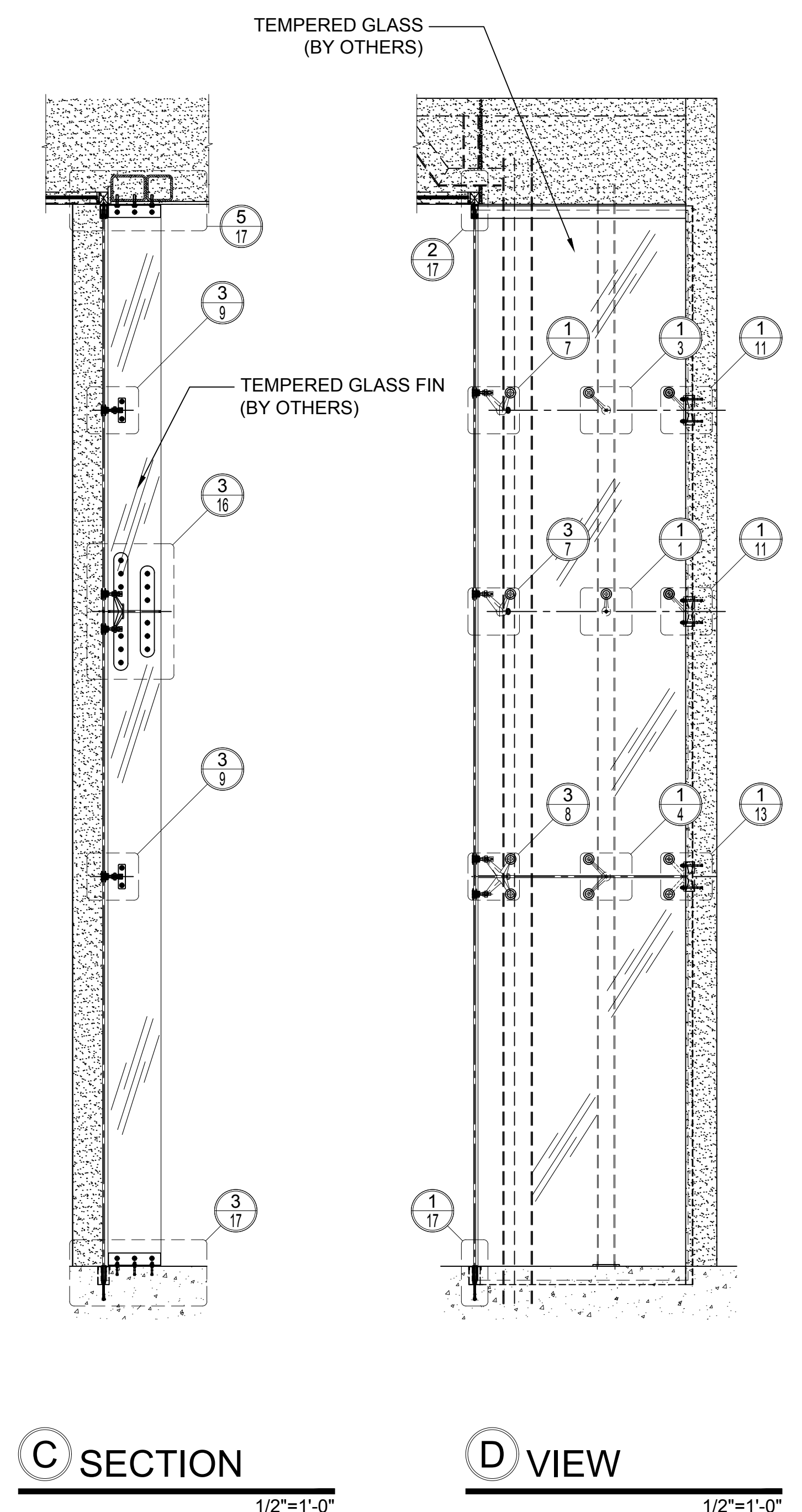




CRL HEAVY-DUTY SPIDER FITTINGS



- * FOR USE WITH 1/2" TO 13/16" (12 TO 20 MM) TEMPERED GLASS
- * SPIDERS FOR MOUNTING TO POST, WALLS OR FINNS
- * DESIGNED FOR THE 'ALL GLASS' LOOK
- * NEW COMBINATION GLASS ATTACHMENTS - SAME ATTACHMENT CAN BE USED FOR FLUSH MOUNT OR CAP MOUNT APPLICATIONS - RIGID HEAD AND SWIVEL HEAD STYLES AVAILABLE
- * MADE OF 316 ALLOY STAINLESS STEEL IN TWO ATTRACTIVE FINISHES: BRUSHED OR POLISHED



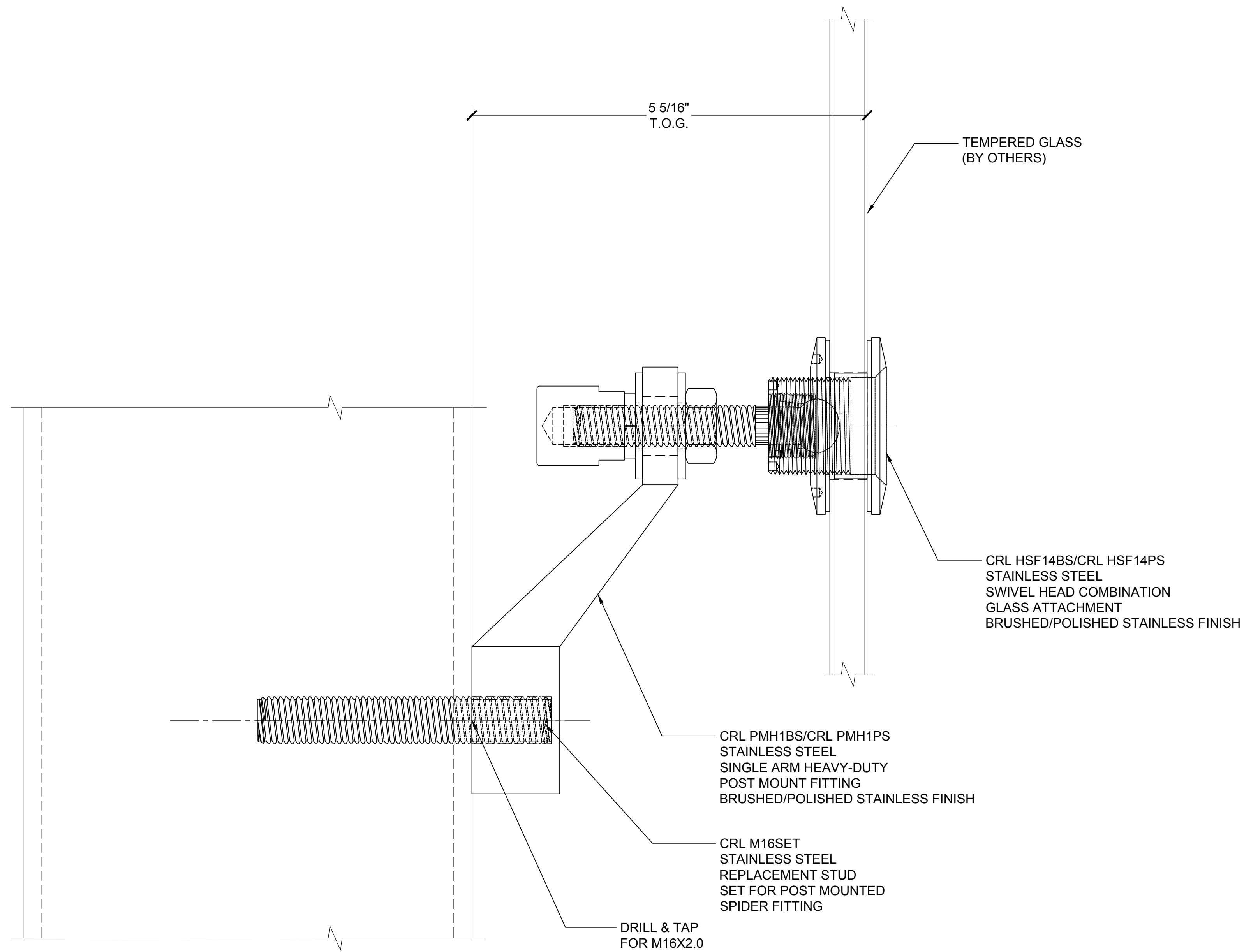
Revisions By:

C.R. LAURENCE CO. ARCHITECTURAL PRODUCTS
2503 E. Vernon Avenue, Los Angeles, CA 90058-1897
PH: (800)-421-6144 FX: (800)-587-7301 www.crlaurence.com

Discription:
CRL SPIDER FITTINGS

Drawn By: JRM
Date: 4/4/17
Scale: 1/2"=1'-0"
File Name: Heavy Duty Spider Fittings.dwg
Sheet

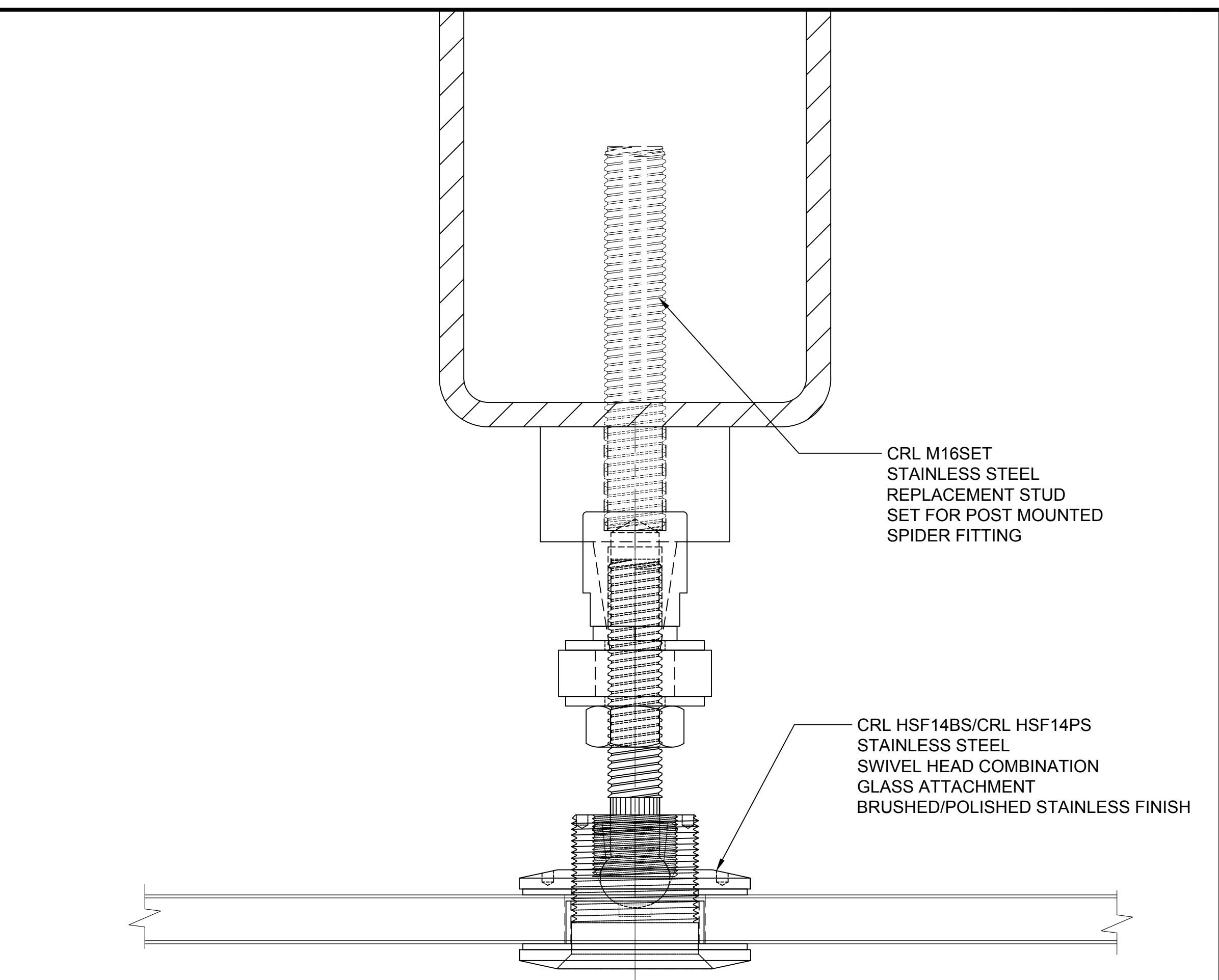
COVER



③ LEFT SIDE

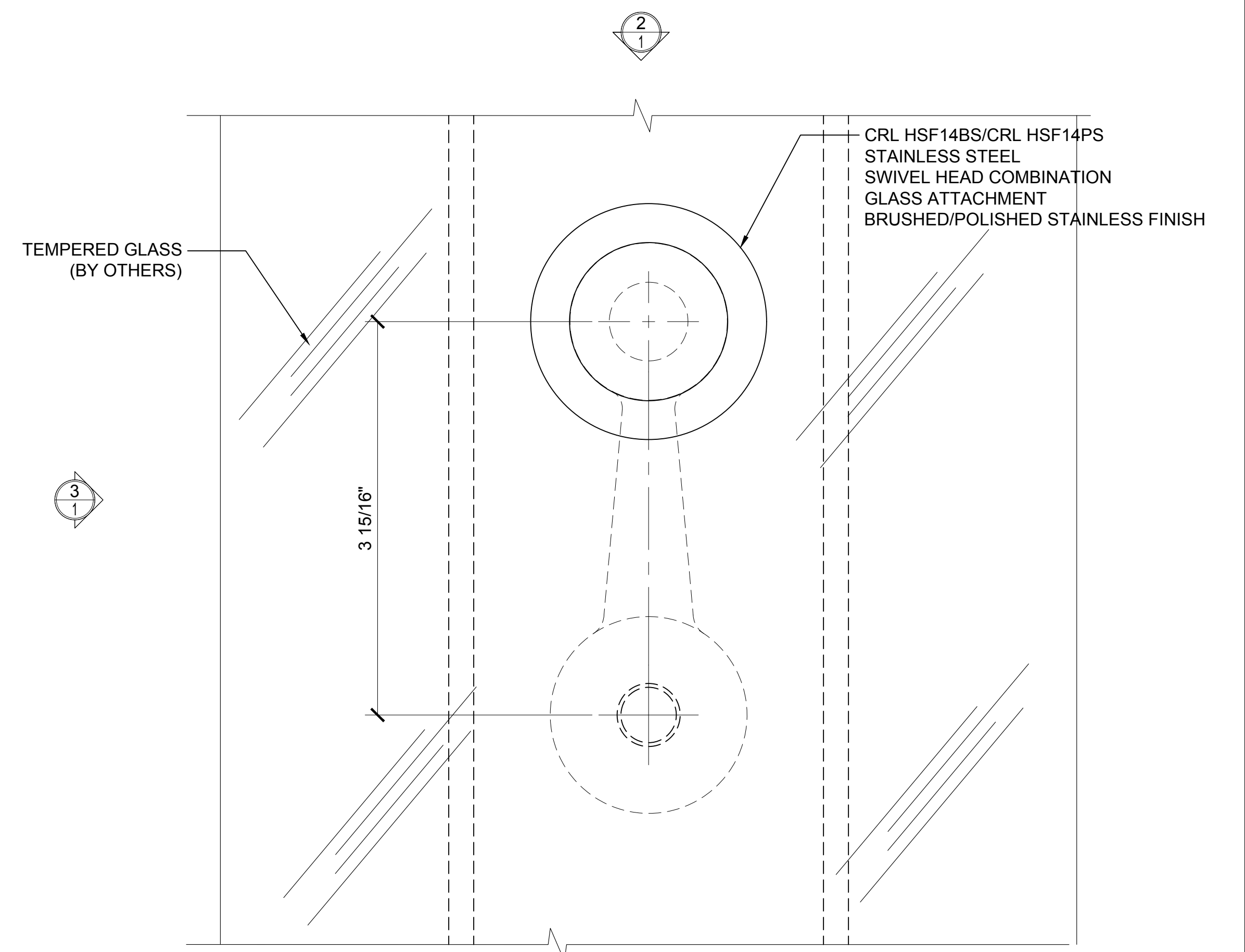
1'-0"=1'-0"

SINGLE ARM HEAVY-DUTY POST MOUNT FITTING PMH1



② TOP VIEW

1'-0"=1'-0"



① ELEVATION

1'-0"=1'-0"

Revisions By:

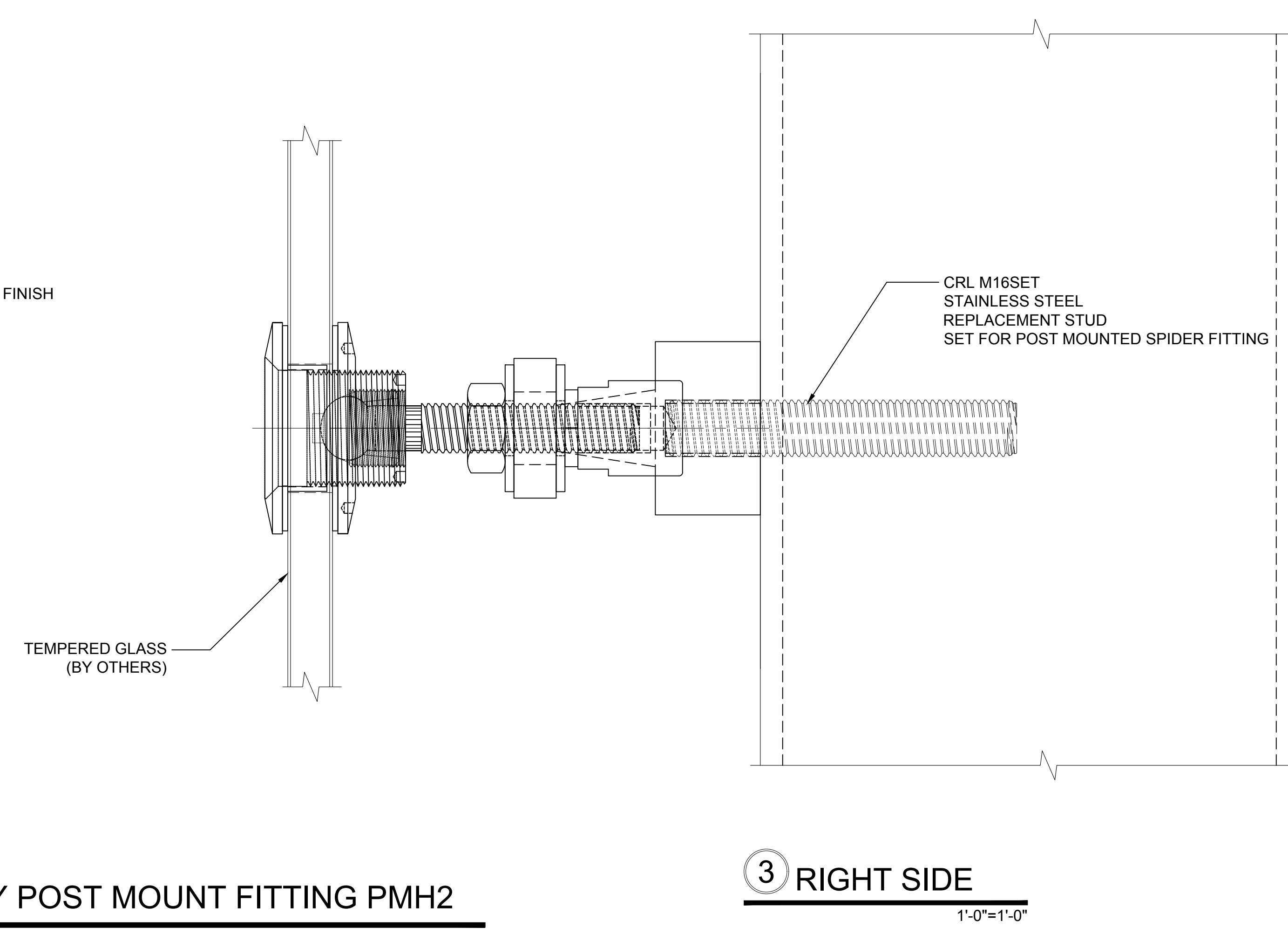
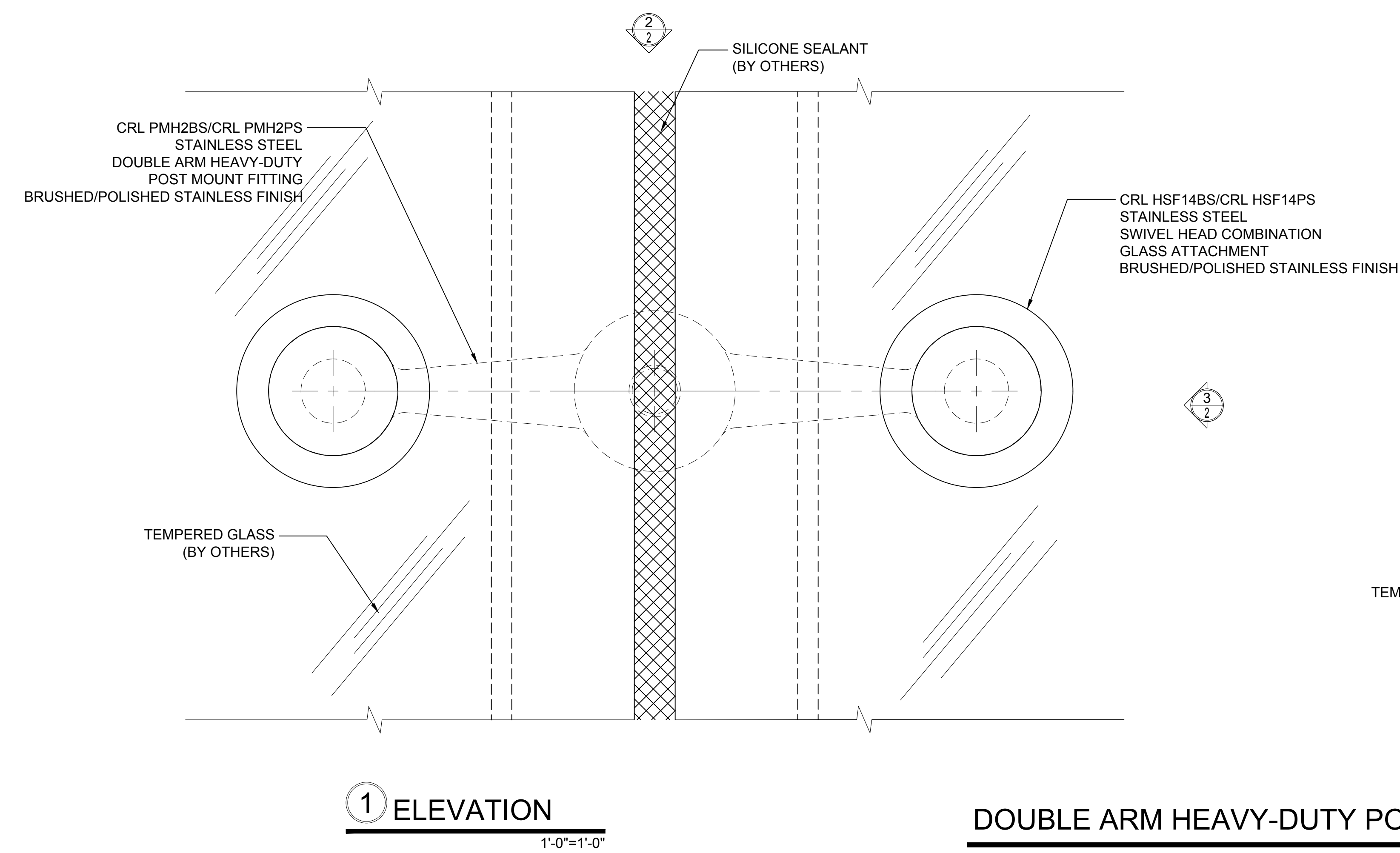
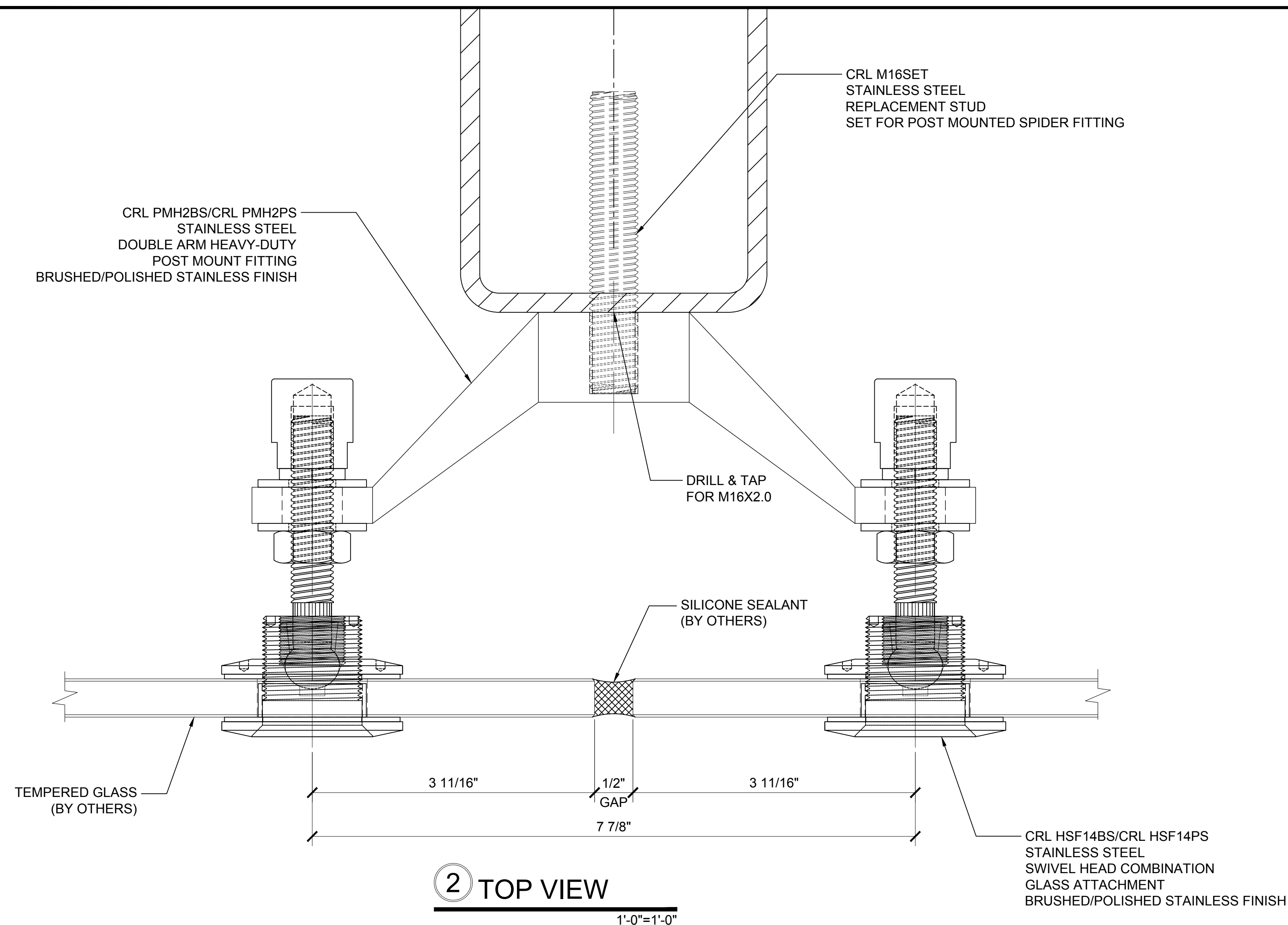


Description:
CRL SPIDER FITTINGS

Drawn By: JRM
Date: 4/4/17
Scale: FULL
File Name:
Heavy Duty Spider Fittings.dwg
Sheet

Revisions By:

CRL
US ALUMINUM
C.R. LAURENCE CO. ARCHITECTURAL PRODUCTS
2503 E. Vernon Avenue, Los Angeles, CA 90058-1897
PH: (800)-421-6144 FX: 800-587-7301 www.crlaurence.com



DOUBLE ARM HEAVY-DUTY POST MOUNT FITTING PMH2

Description:
CRL SPIDER FITTINGS

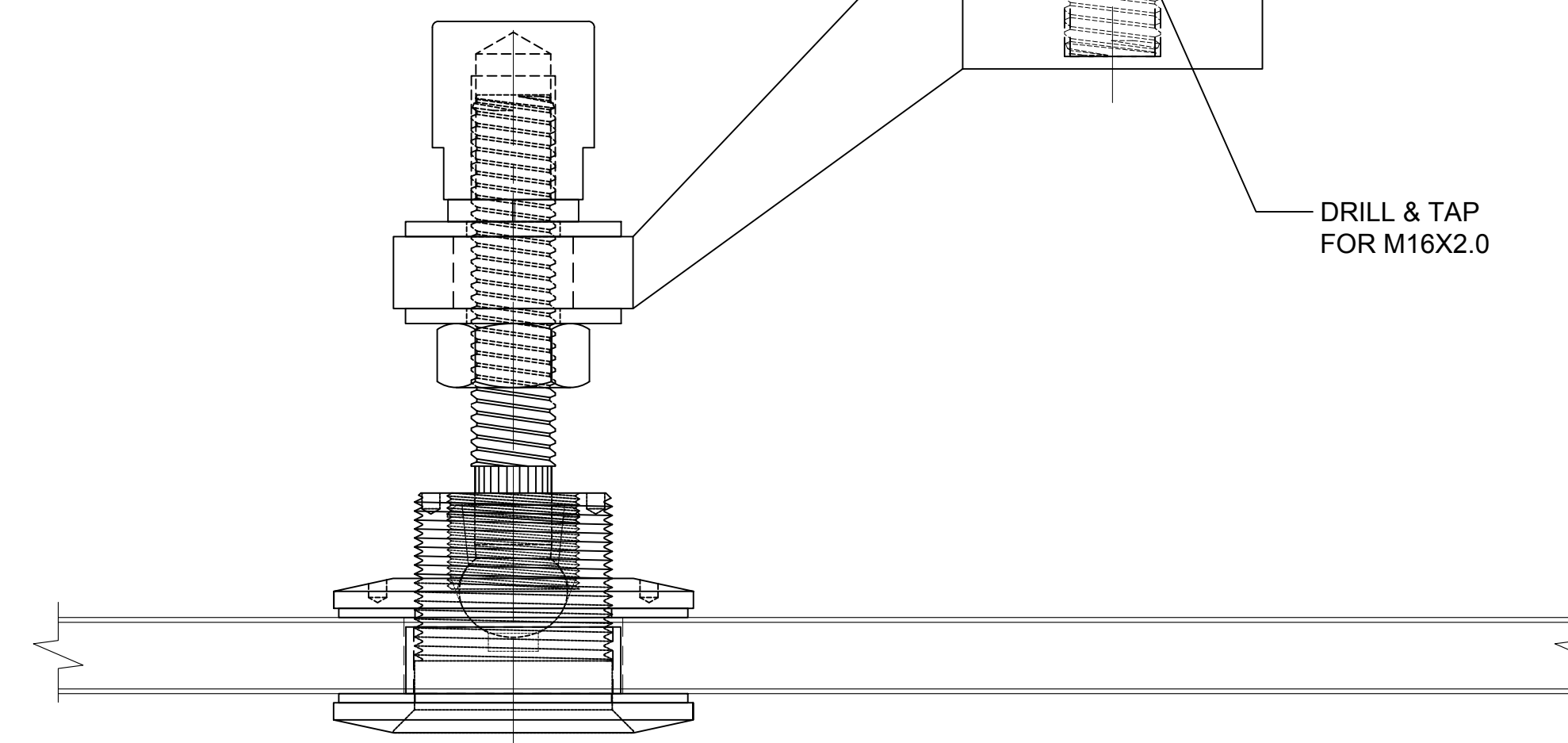
Drawn By: JRM
Date: 4/4/17
Scale: FULL
File Name:
Heavy Duty Spider Fittings.dwg
Sheet

Revisions By:

CAL
US ALUMINUM
C.R. LAURENCE CO. ARCHITECTURAL PRODUCTS
2503 E. Vernon Avenue, Los Angeles, CA 90058-1897
PH: (800)-421-6144 FX: 800-587-7301 www.crlaurence.com

CRL M16SET
STAINLESS STEEL
REPLACEMENT STUD
SET FOR POST MOUNTED
SPIDER FITTING

DRILL & TAP
FOR M16X2.0



2 TOP VIEW

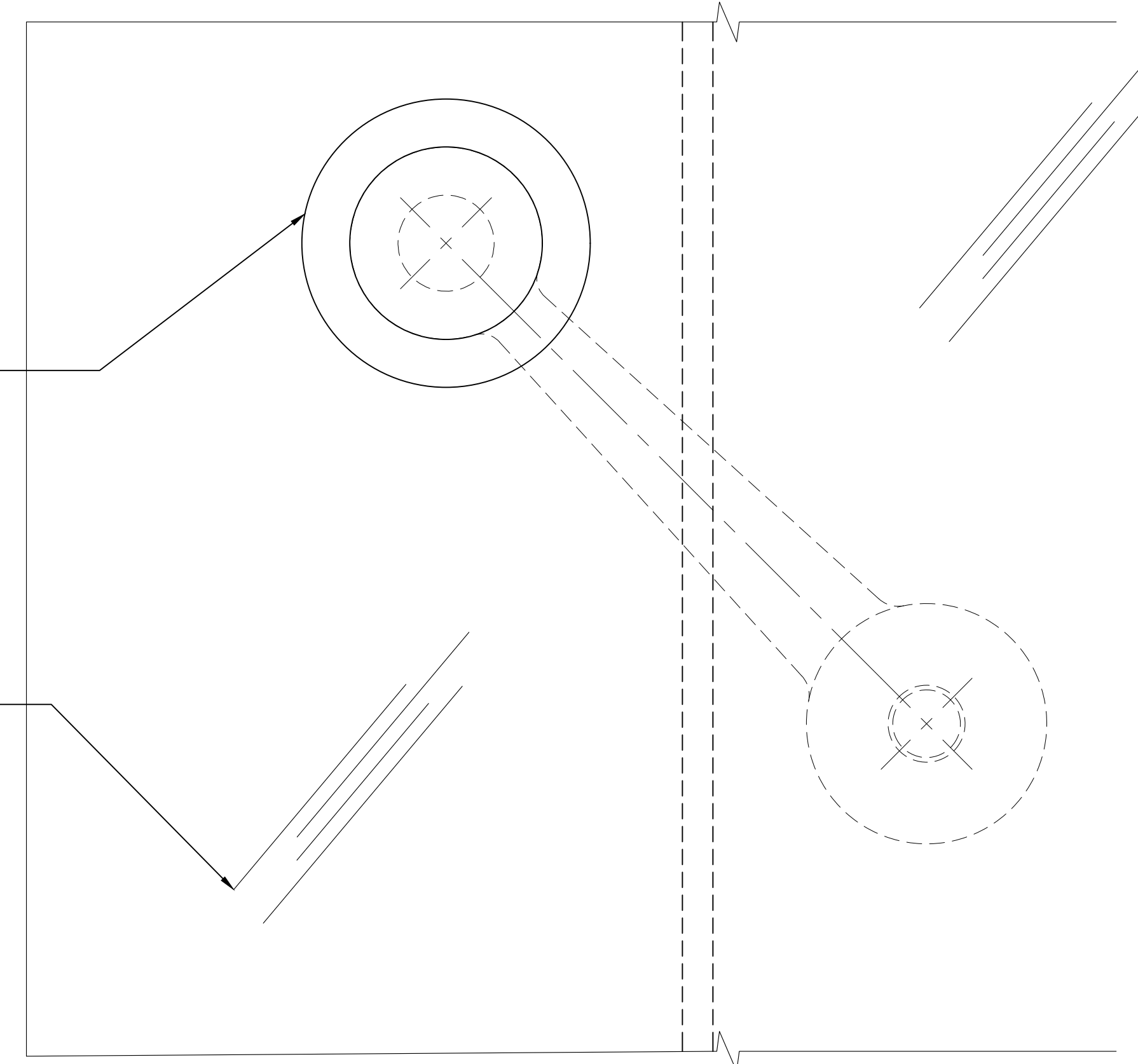
1'-0"=1'-0"

CRL HSF14BS/CRL HSF14PS
STAINLESS STEEL
SWIVEL HEAD COMBINATION
GLASS ATTACHMENT
BRUSHED/POLISHED STAINLESS FINISH

CRL HSF14BS/CRL HSF14PS
STAINLESS STEEL
SWIVEL HEAD COMBINATION
GLASS ATTACHMENT
BRUSHED/POLISHED STAINLESS FINISH

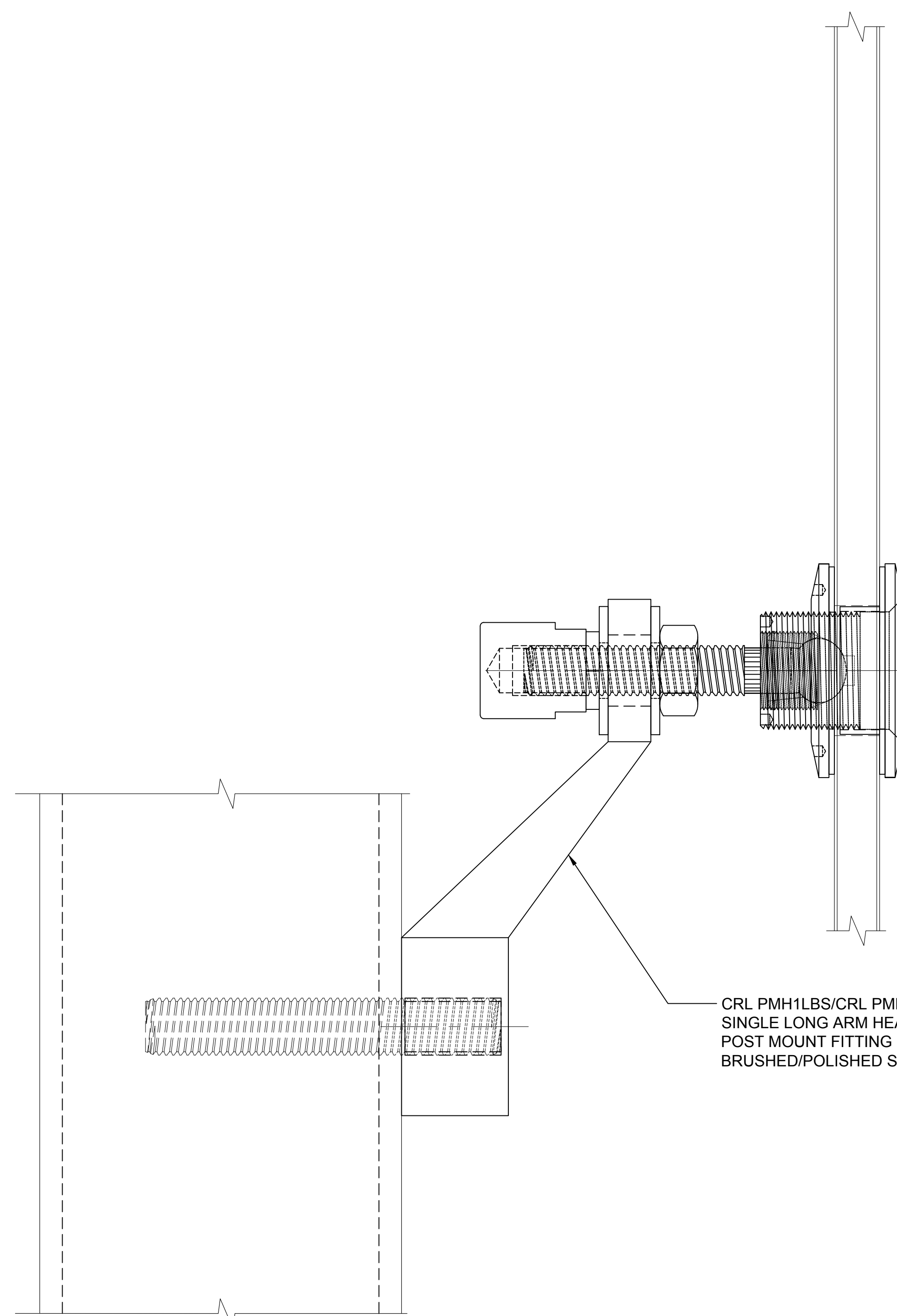
TEMPERED GLASS
(BY OTHERS)

CRL PMH1BS/CRL PMH1PS
SINGLE LONG ARM HEAVY-DUTY
POST MOUNT FITTING
BRUSHED/POLISHED STAINLESS FINISH



1 ELEVATION

1'-0"=1'-0"



3 LEFT SIDE

1'-0"=1'-0"

SINGLE LONG ARM HEAVY-DUTY POST MOUNT FITTING PMH1L

Description:
CRL SPIDER FITTINGS

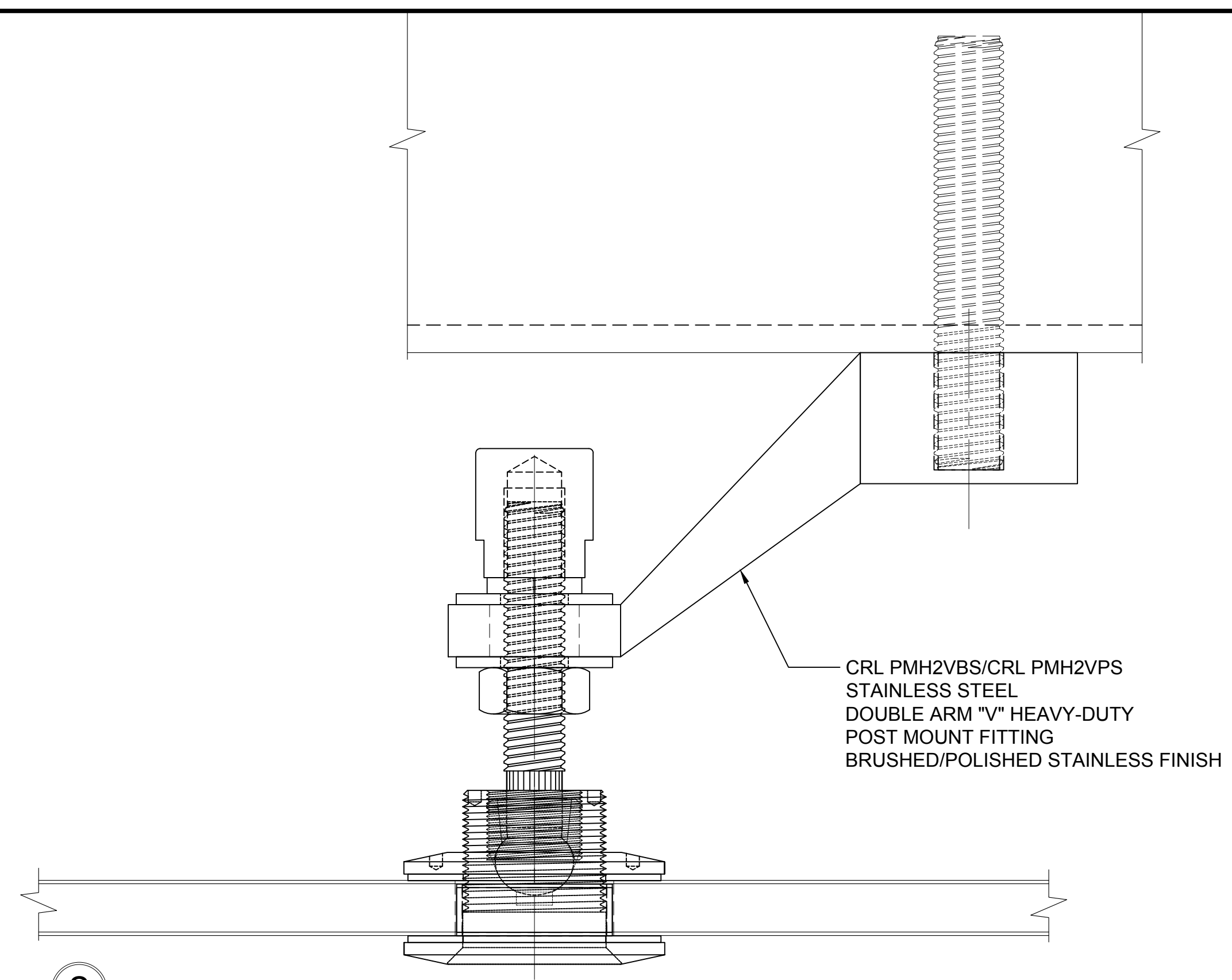
Drawn By: JRM
Date: 4/4/17
Scale: FULL
File Name:
Heavy Duty Spider Fittings.dwg
Sheet

Revisions By:

CRL
US ALUMINUM
C.R. LAURENCE CO. ARCHITECTURAL PRODUCTS
2503 E. Vernon Avenue, Los Angeles, CA 90058-1897
PH (800)-421-6144 FX (800)-587-7301 www.crlaurence.com

Description:
CRL SPIDER FITTINGS

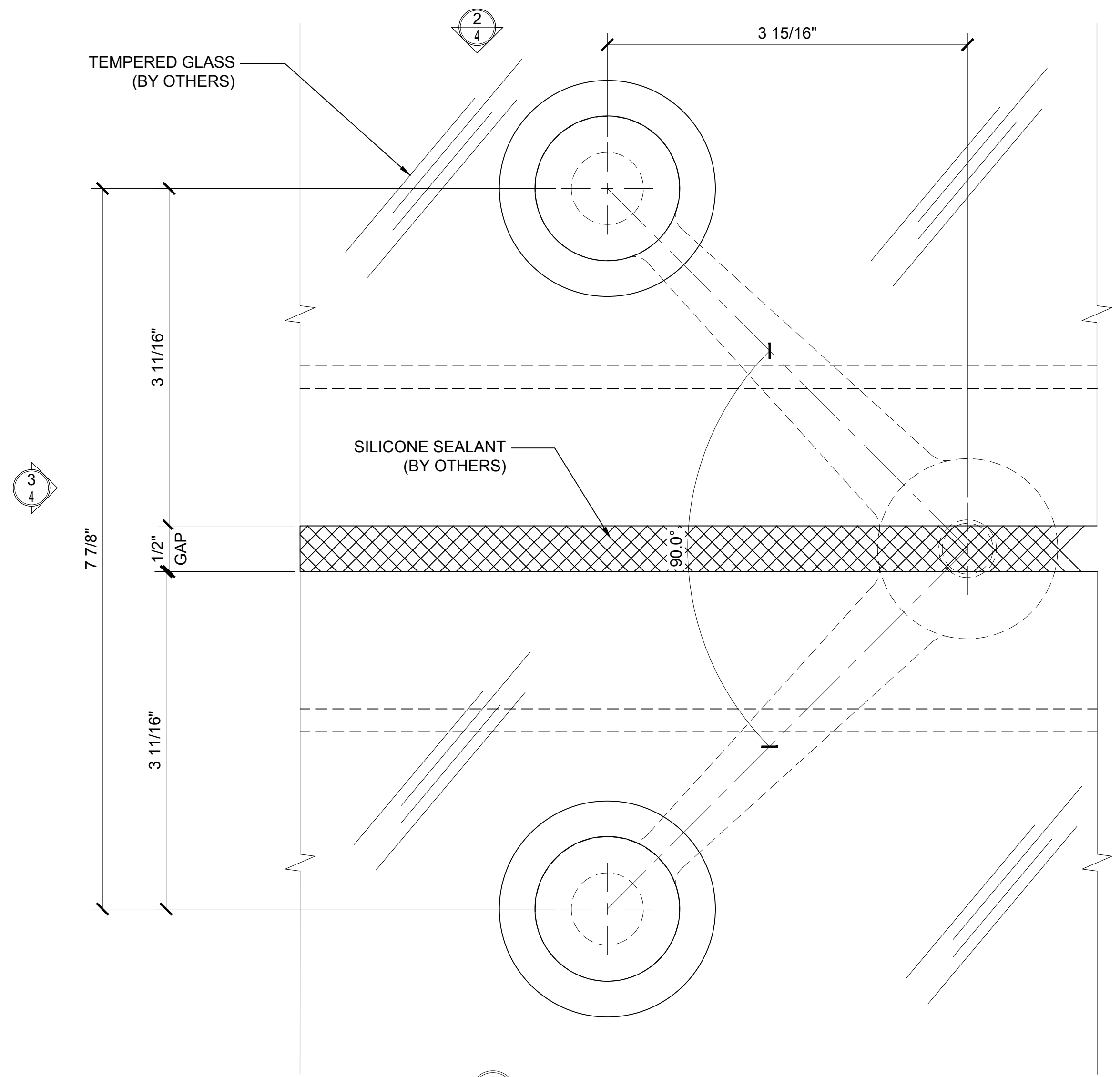
Drawn By: JRM
Date: 4/4/17
Scale: FULL
File Name:
Heavy Duty Spider Fittings.dwg
Sheet



CRL PMH2VBS/CRL PMH2VPS
STAINLESS STEEL
DOUBLE ARM "V" HEAVY-DUTY
POST MOUNT FITTING
BRUSHED/POLISHED STAINLESS FINISH

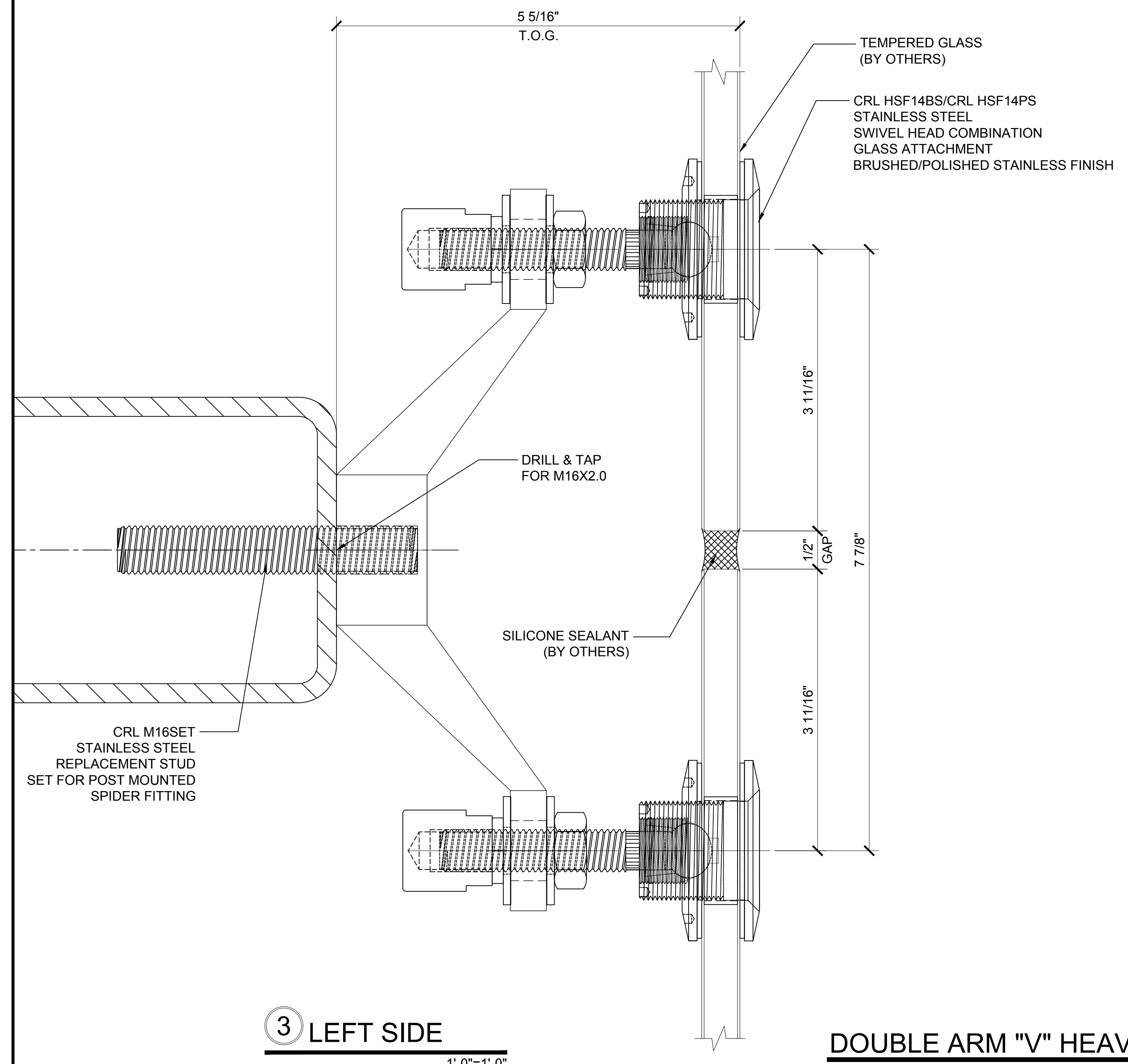
2 TOP VIEW

1'-0"=1'-0"



1 ELEVATION

1'-0"=1'-0"



3 LEFT SIDE

1'-0"=1'-0"

DOUBLE ARM "V" HEAVY-DUTY POST MOUNT FITTING PMH2V

TEMPERED GLASS
(BY OTHERS)

CRL HSF14BS/CRL HSF14PS
STAINLESS STEEL
SWIVEL HEAD COMBINATION
GLASS ATTACHMENT
BRUSHED/POLISHED STAINLESS FINISH

DRILL & TAP
FOR M16X2.0

SILICONE SEALANT
(BY OTHERS)

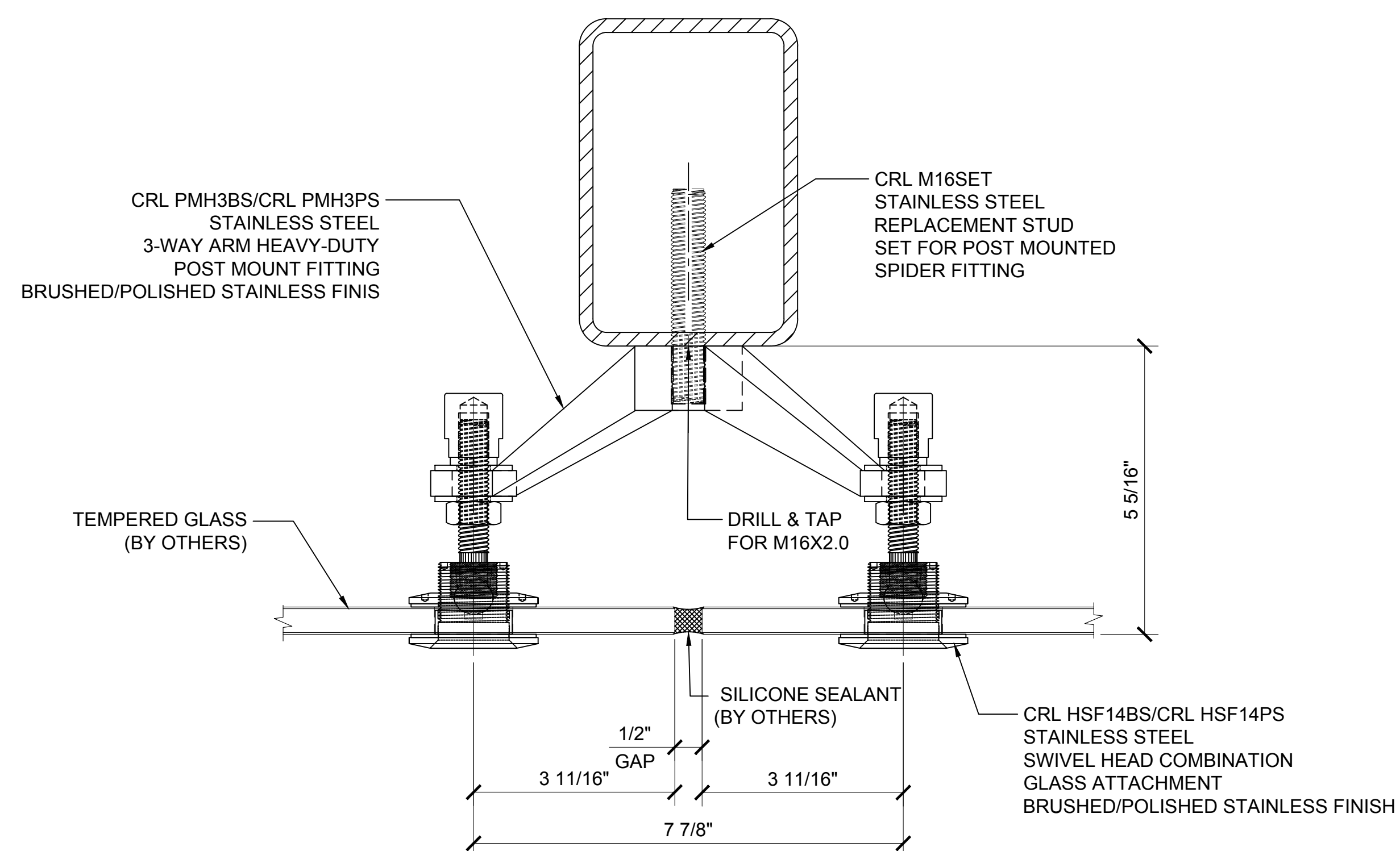
CRL M16SET
STAINLESS STEEL
REPLACEMENT STUD
SET FOR POST MOUNTED
SPIDER FITTING

Revisions By:

CRL
ALUMINUM
C.R. LAURENCE CO. ARCHITECTURAL PRODUCTS
2503 E. Vernon Avenue, Los Angeles, CA 90058-1897
PH: (800)-421-6144 FX: (800)-587-7301 www.crlaurence.com

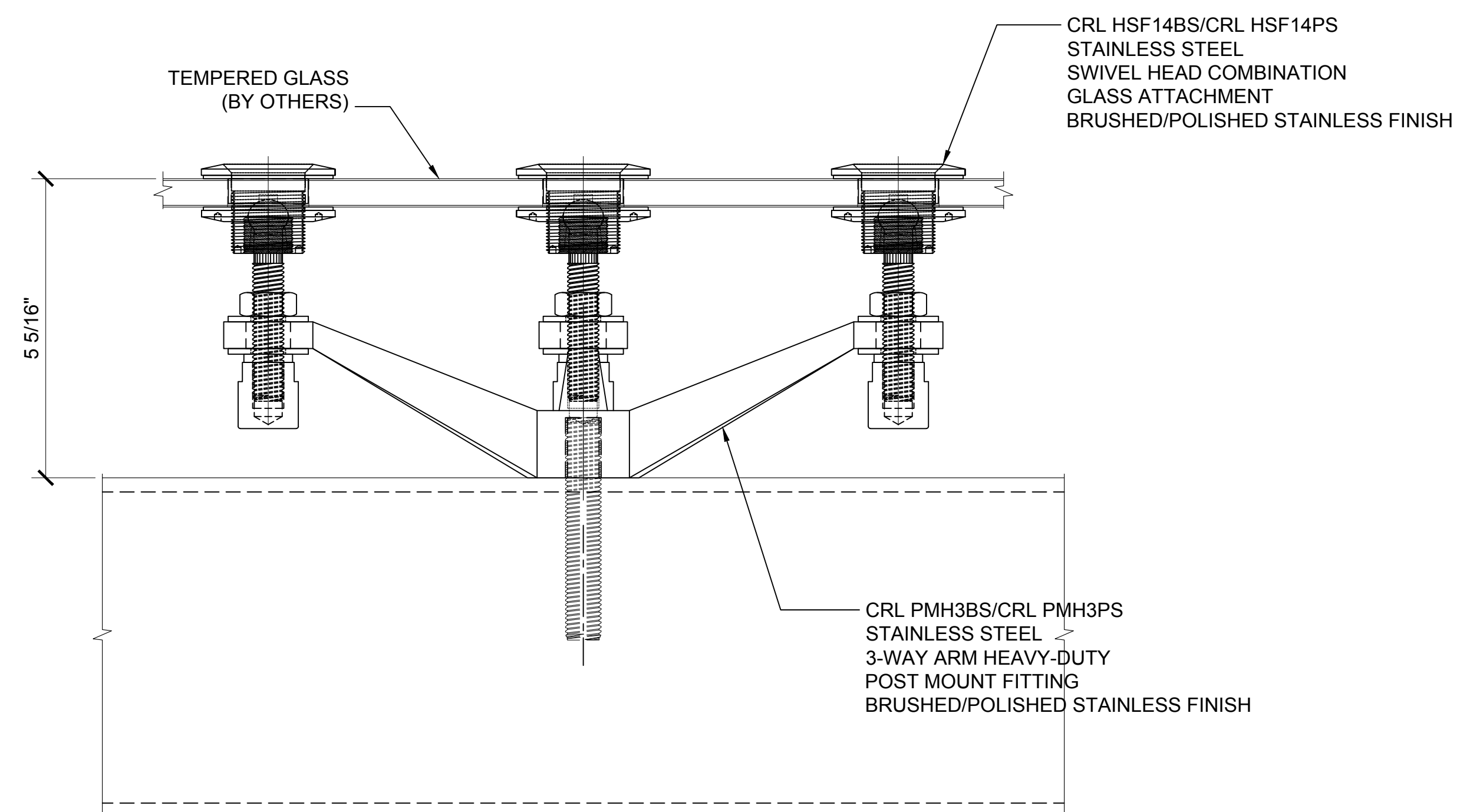
Description:
CRL SPIDER FITTINGS

Drawn By: JRM
Date: 4/4/17
Scale: 6"=1'-0"
File Name:
Heavy Duty Spider Fittings.dwg
Sheet



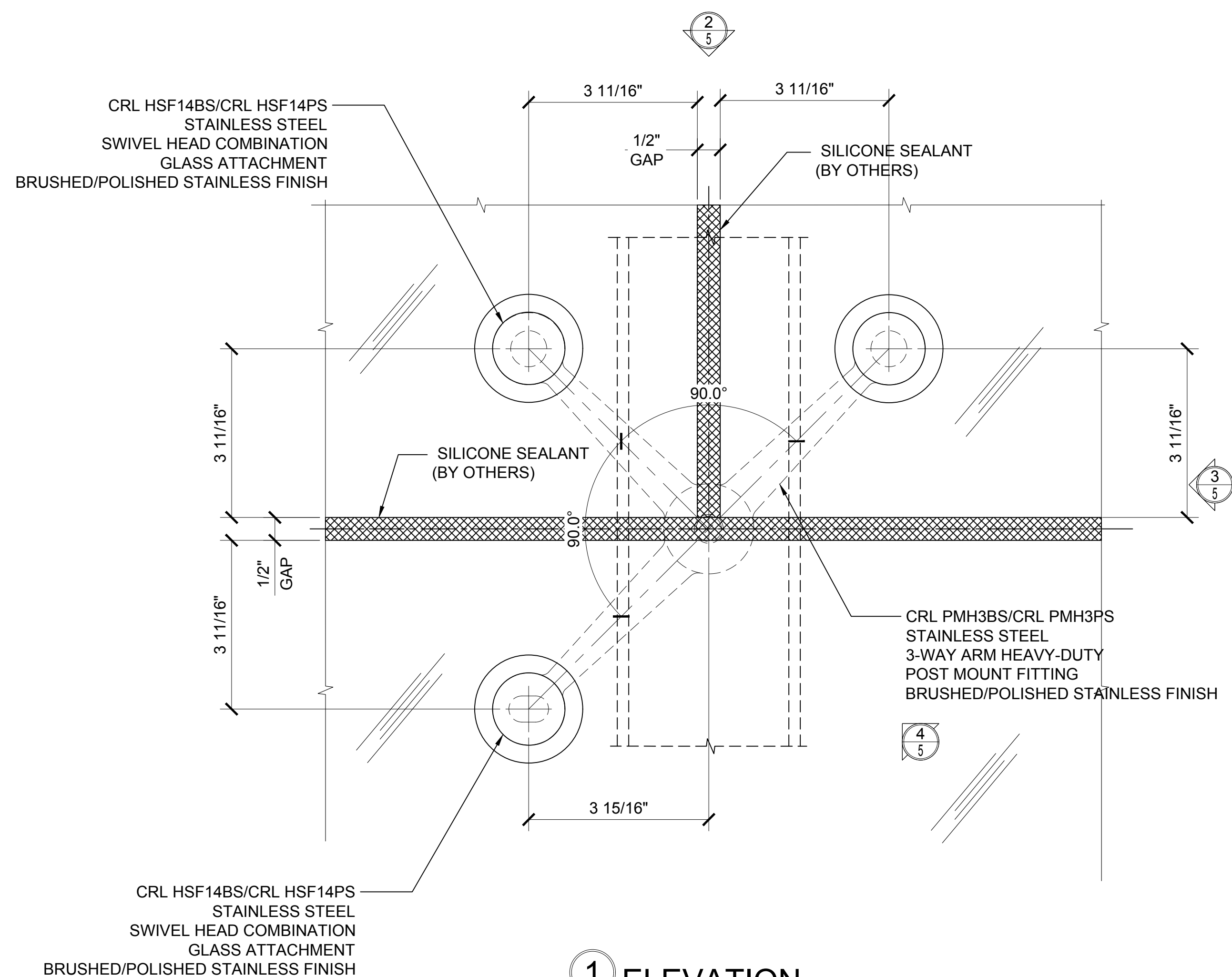
2 TOP VIEW

6"=1'-0"



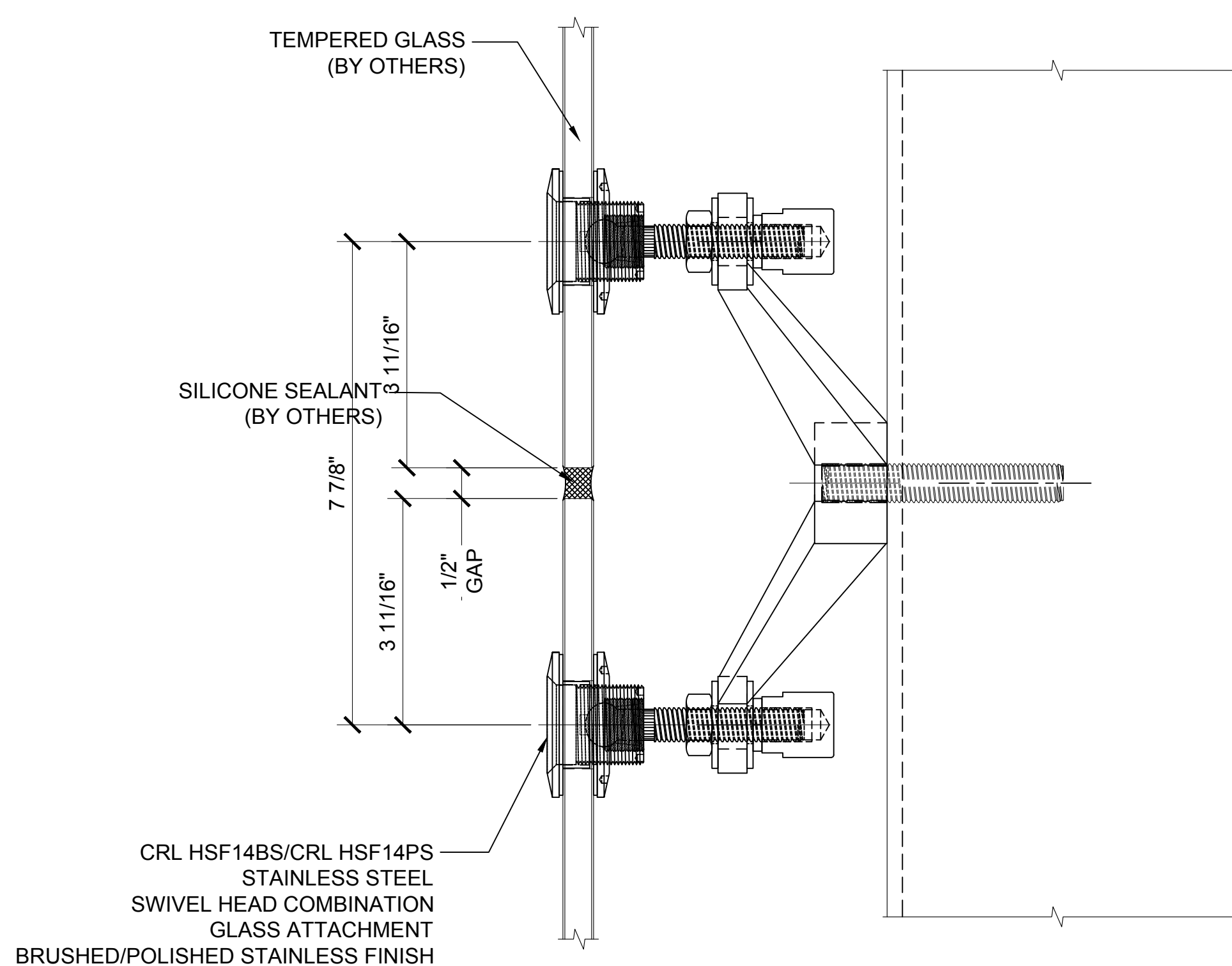
4 AUXILIARY VIEW

6"=1'-0"



1 ELEVATION

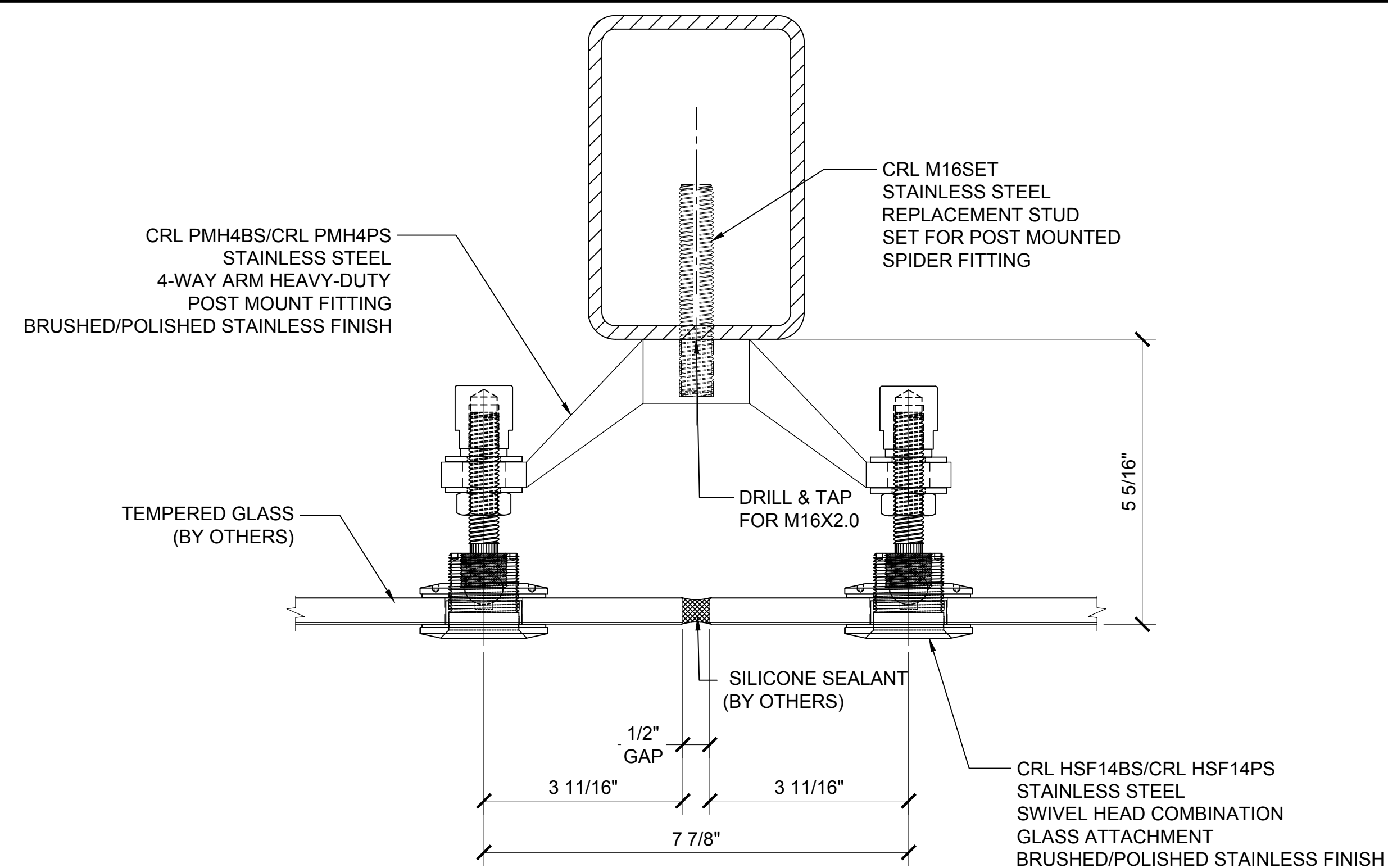
6"=1'-0"



3 RIGHT SIDE

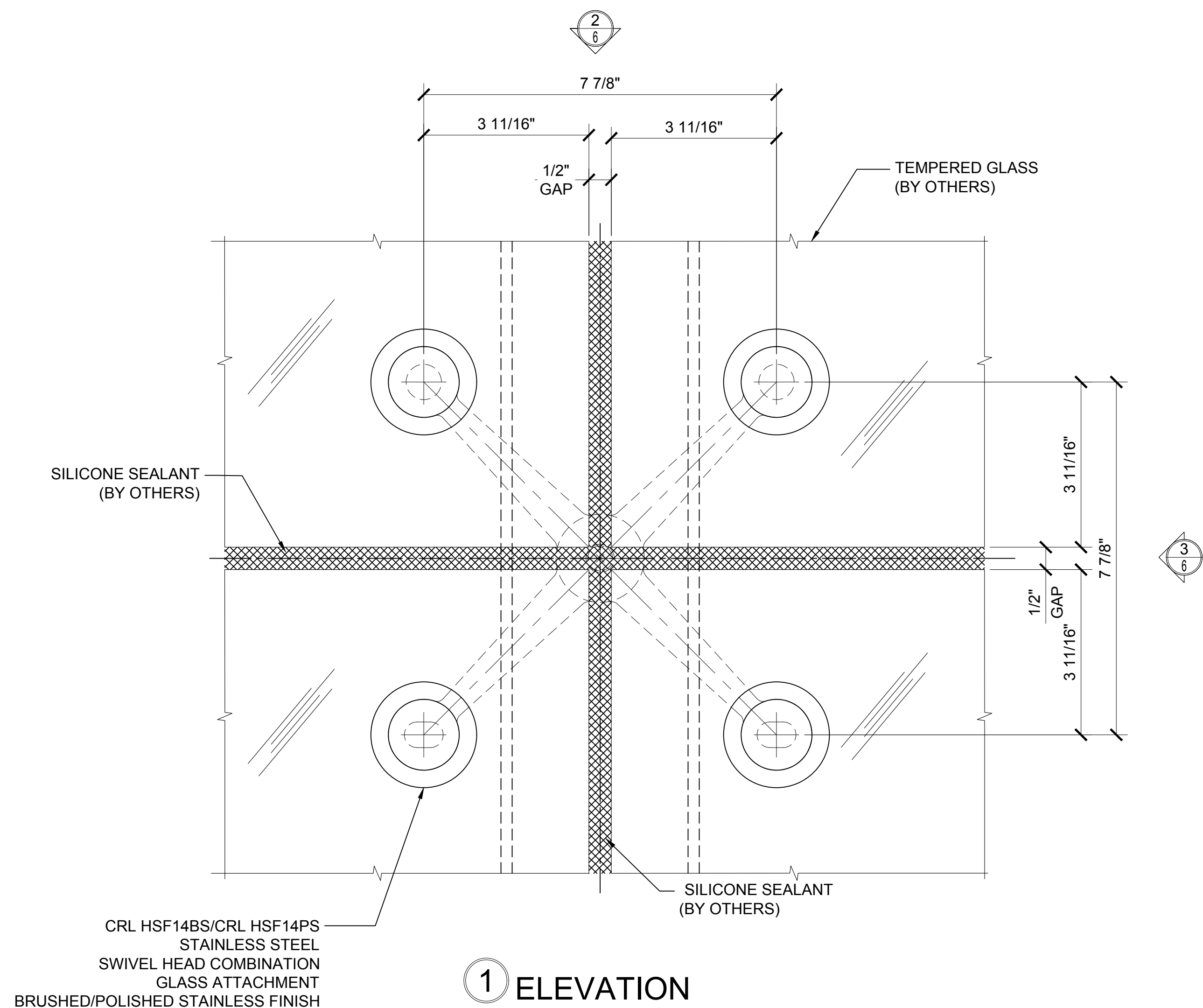
6"=1'-0"

3-WAY ARM HEAVY-DUTY POST MOUNT FITTING PMH3



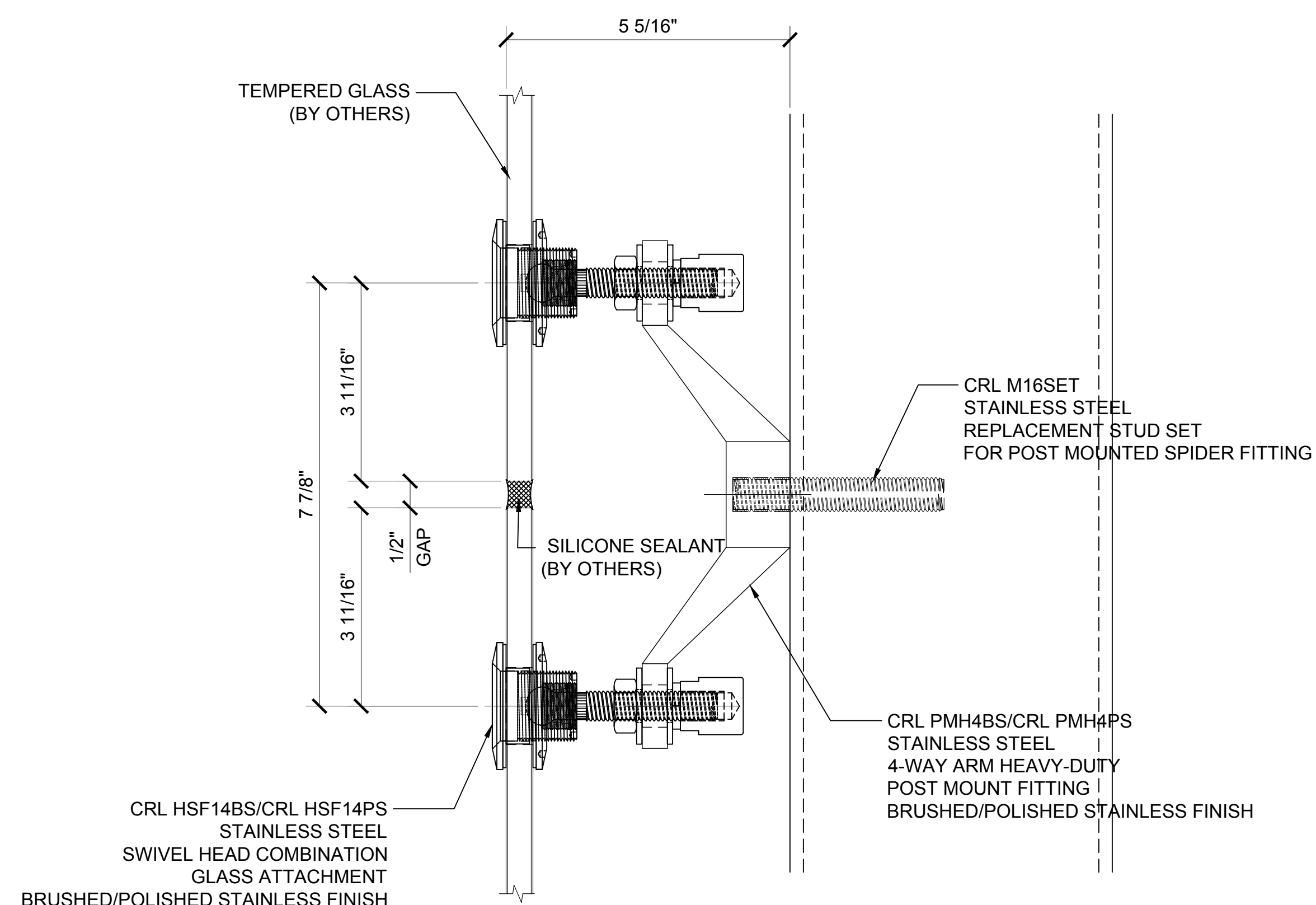
2 TOP VIEW

6"=1'-0"



1 ELEVATION

6"=1'-0"



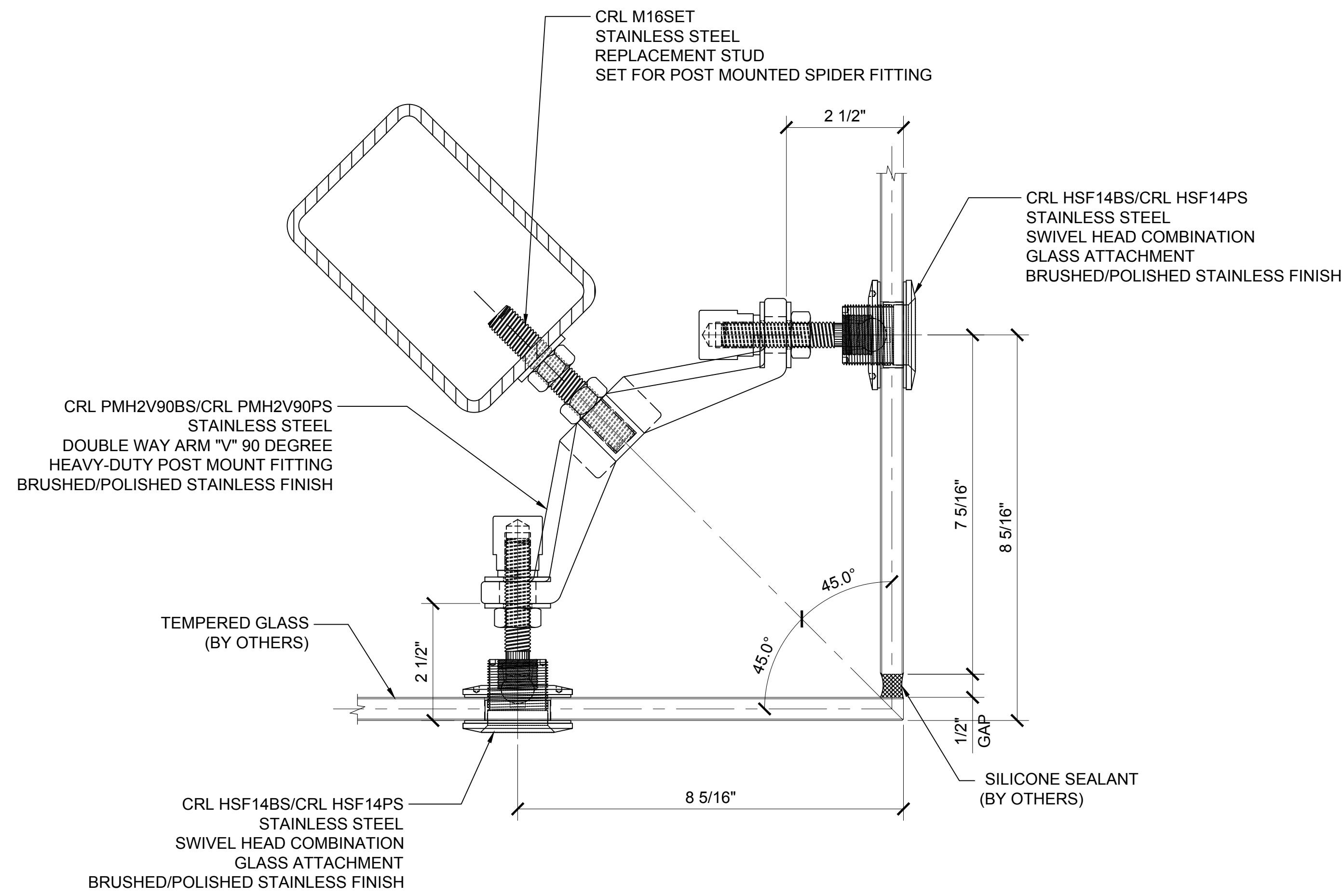
3 RIGHT SIDE

6"=1'-0"

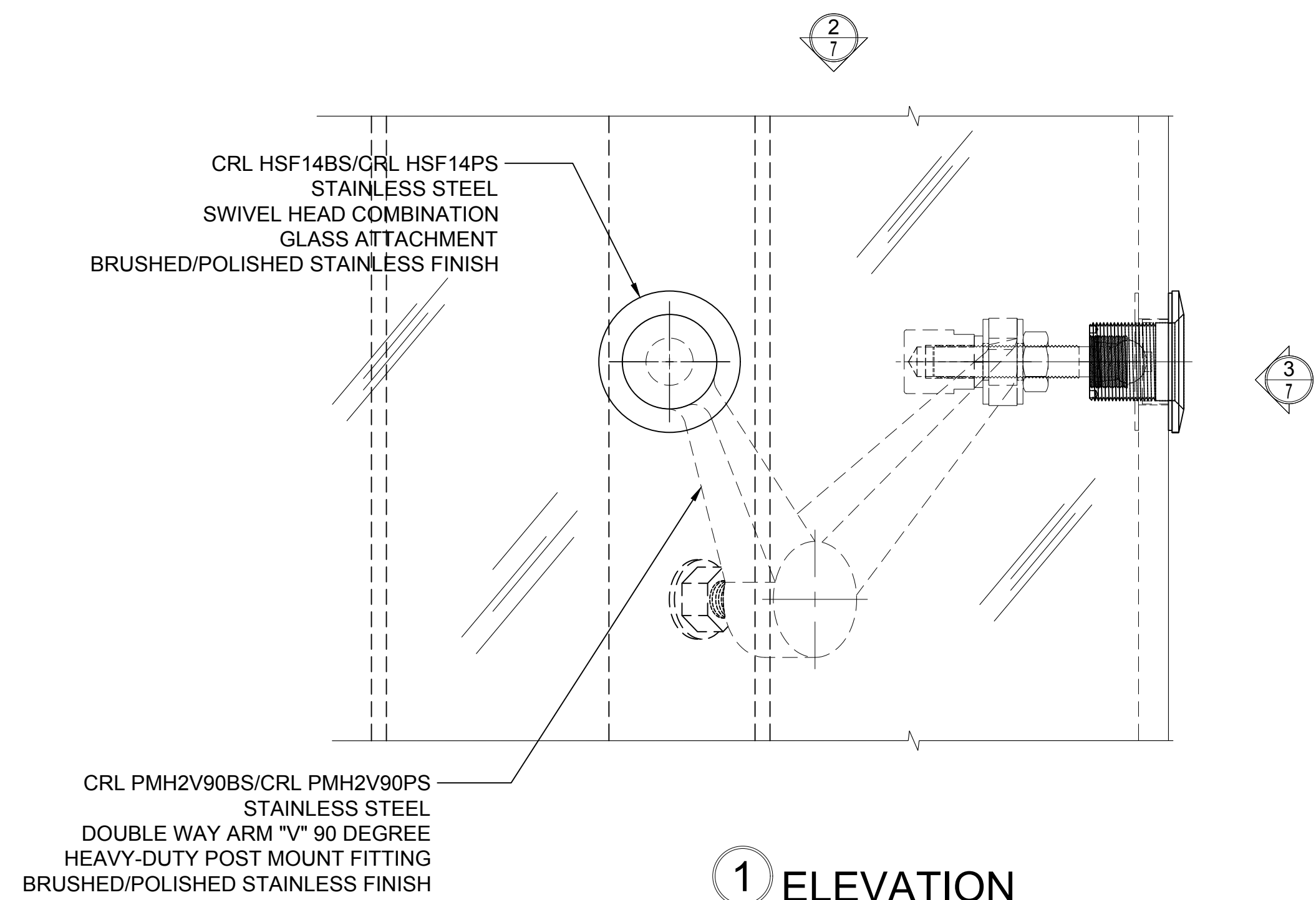
4-WAY ARM HEAVY-DUTY POST MOUNT FITTING PMH4

Description:
 CRL SPIDER FITTINGS

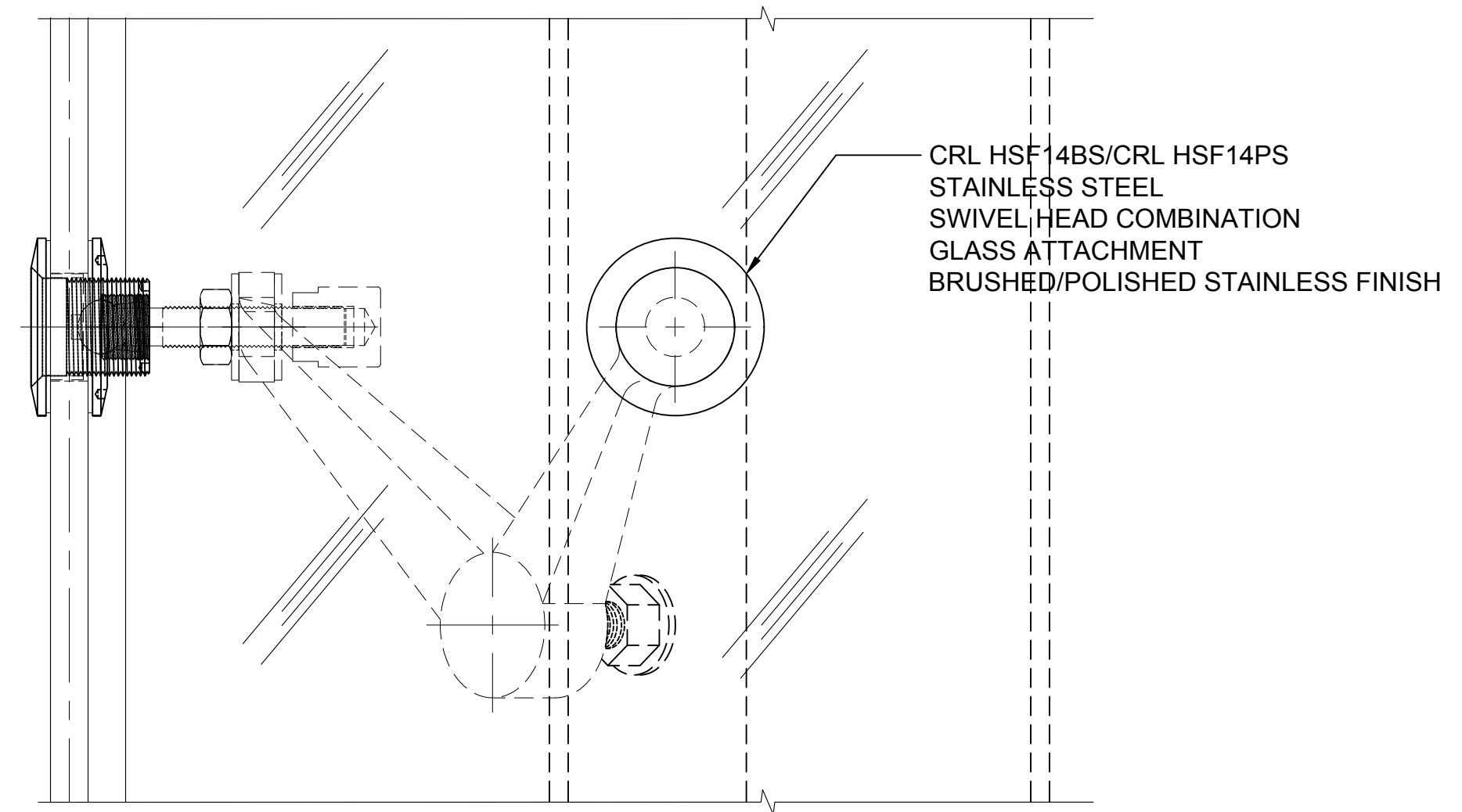
Drawn By: JRM
 Date: 4/4/17
 Scale: 6"=1'-0"
 File Name: Heavy Duty Spider Fittings.dwg
 Sheet



2 TOP VIEW
6"=1'-0"



1 ELEVATION
6"=1'-0"



3 RIGHT SIDE
6"=1'-0"

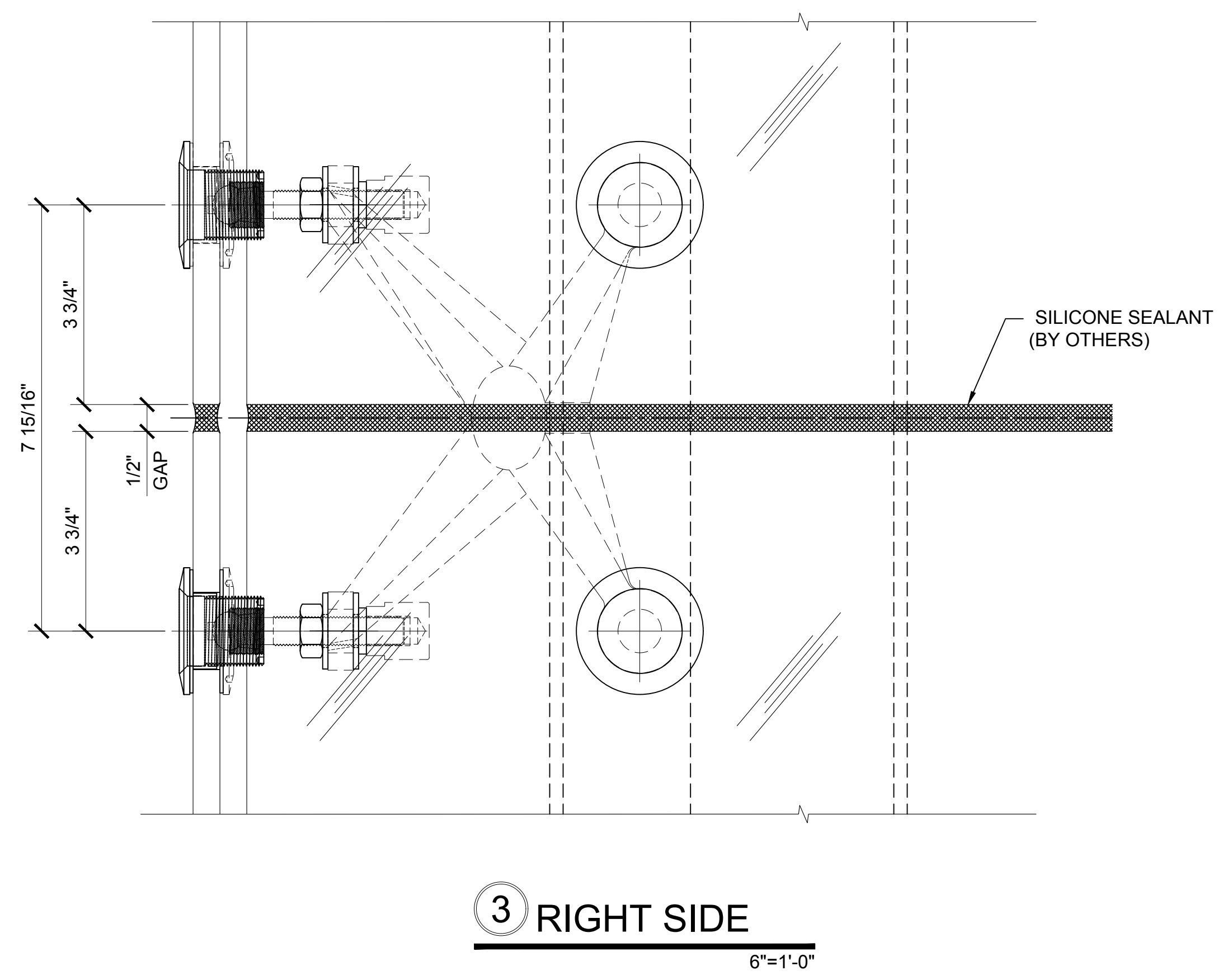
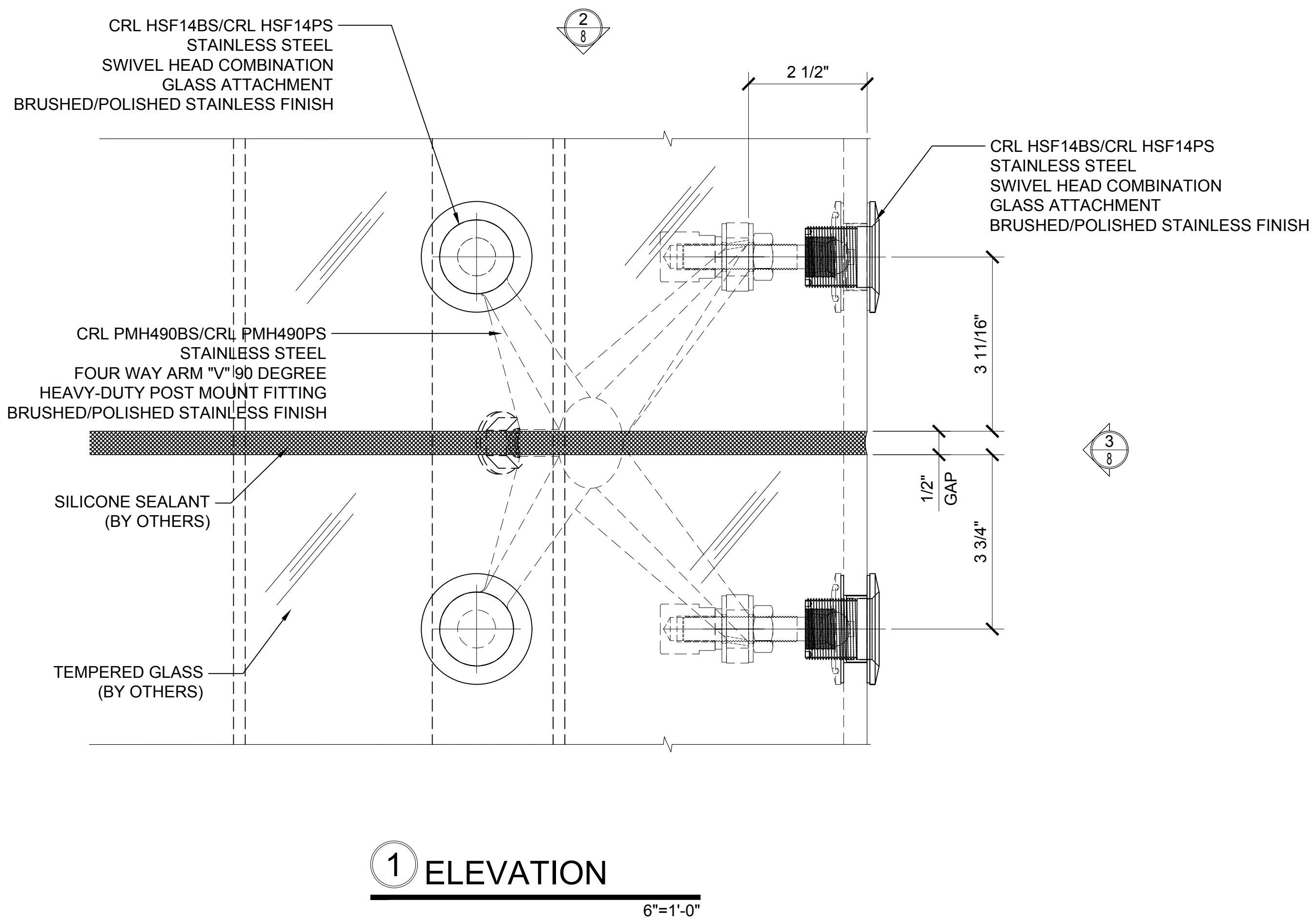
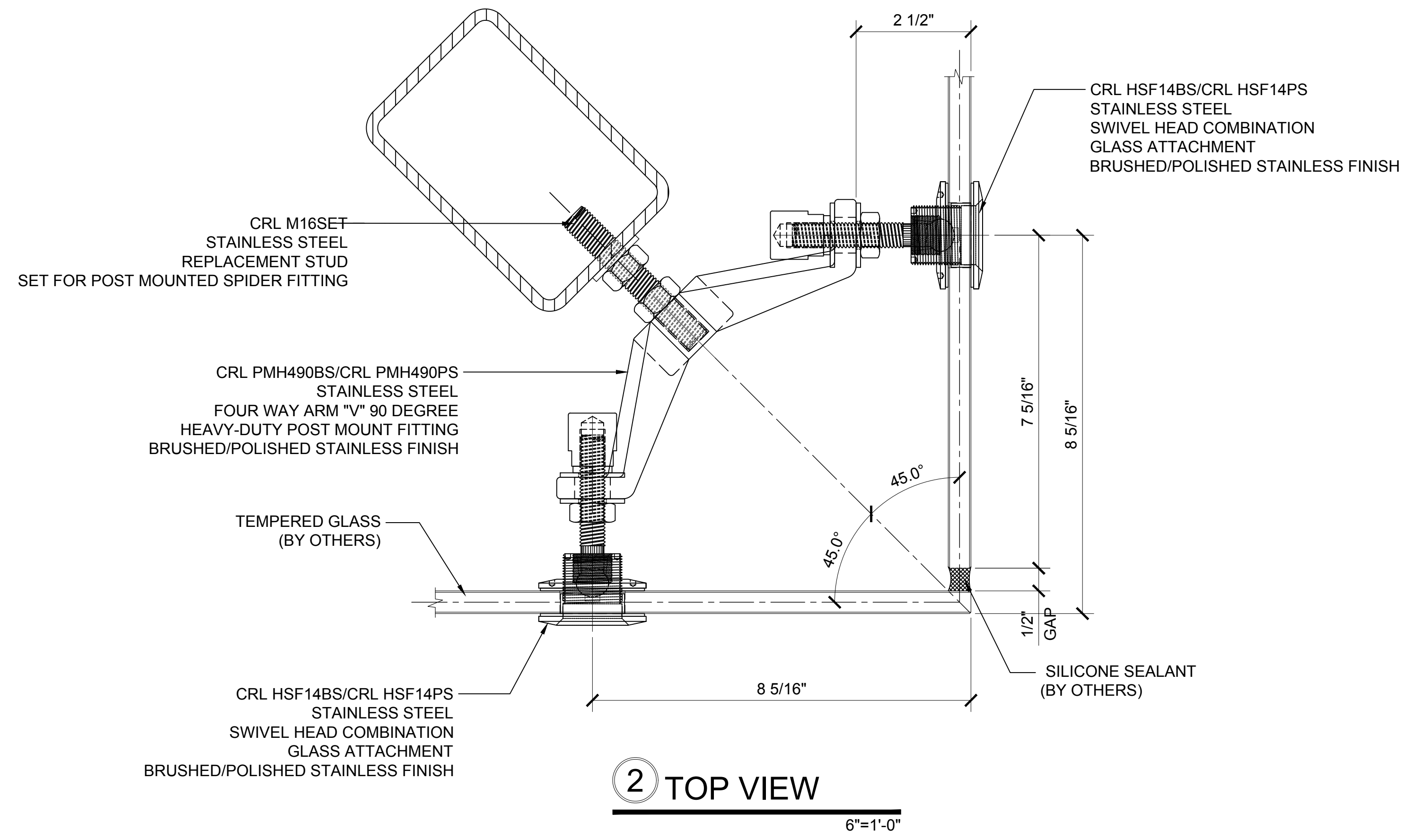
DOUBLE ARM "V" 90 DEGREE HEAVY-DUTY POST MOUNT FITTING PMH2V90

Revisions By:

C.R. LAURENCE CO. ARCHITECTURAL PRODUCTS
2503 E. Vernon Avenue, Los Angeles, CA 90058-1897
PH: (800)-421-6144 FX: (800)-587-7301 www.crlaurence.com

Description:
CRL SPIDER FITTINGS

Drawn By: JRM
Date: 4/4/17
Scale: 6"=1'-0"
File Name:
Heavy Duty Spider Fittings.dwg
Sheet



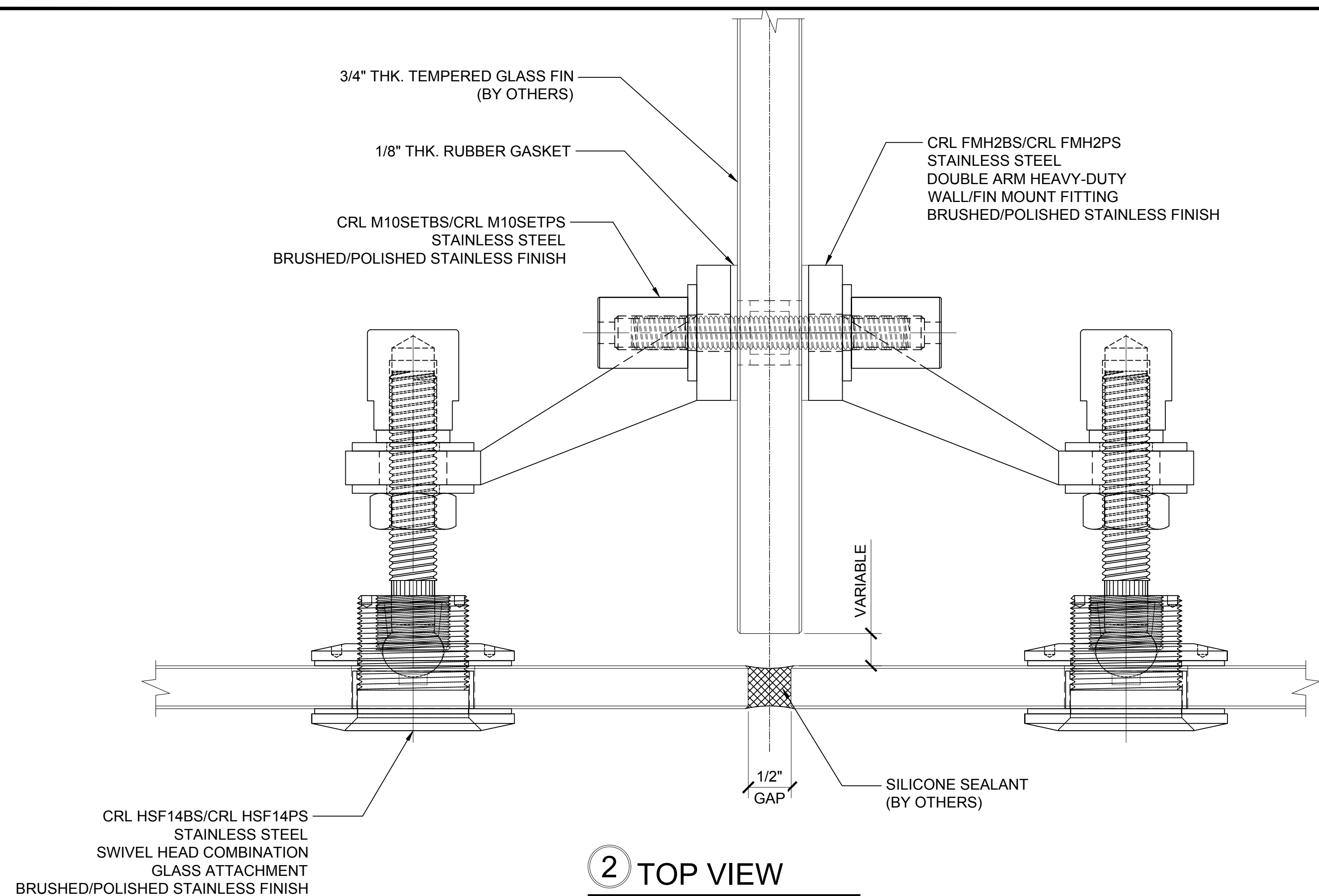
4-WAY ARM 90 DEGREE HEAVY-DUTY POST MOUNT FITTING PMH490

Description:
 CRL SPIDER FITTINGS

Drawn By: JRM
 Date: 4/4/17
 Scale: 6"=1'-0"
 File Name:
 Heavy Duty Spider Fittings.dwg
 Sheet

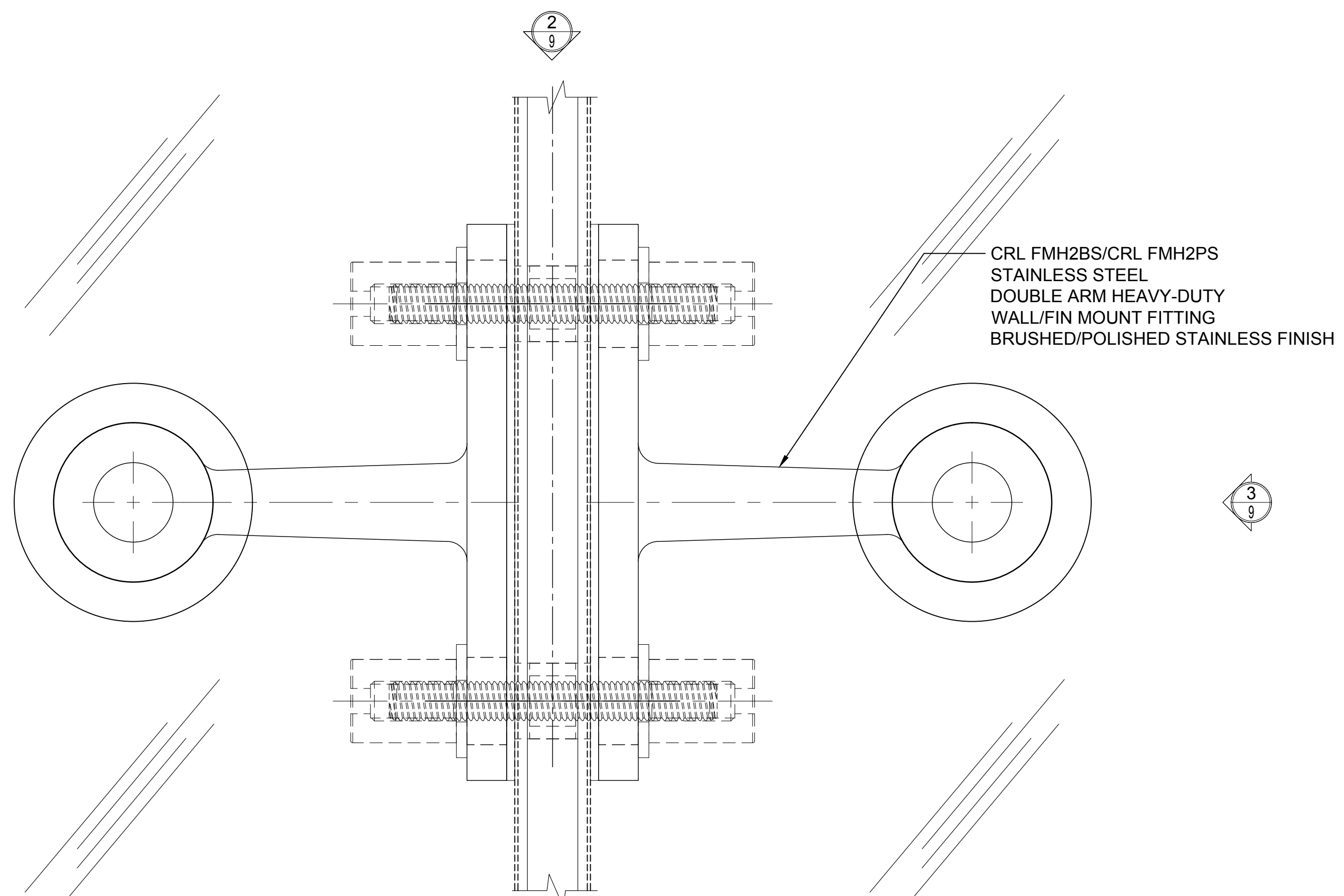
Revisions By:

CRL
US ALUMINUM
C.R. LAURENCE CO. ARCHITECTURAL PRODUCTS
2503 E. Vernon Avenue, Los Angeles, CA 90058-1897
PH: (800)-421-6144 FX: 800-587-7301 www.crlaurence.com



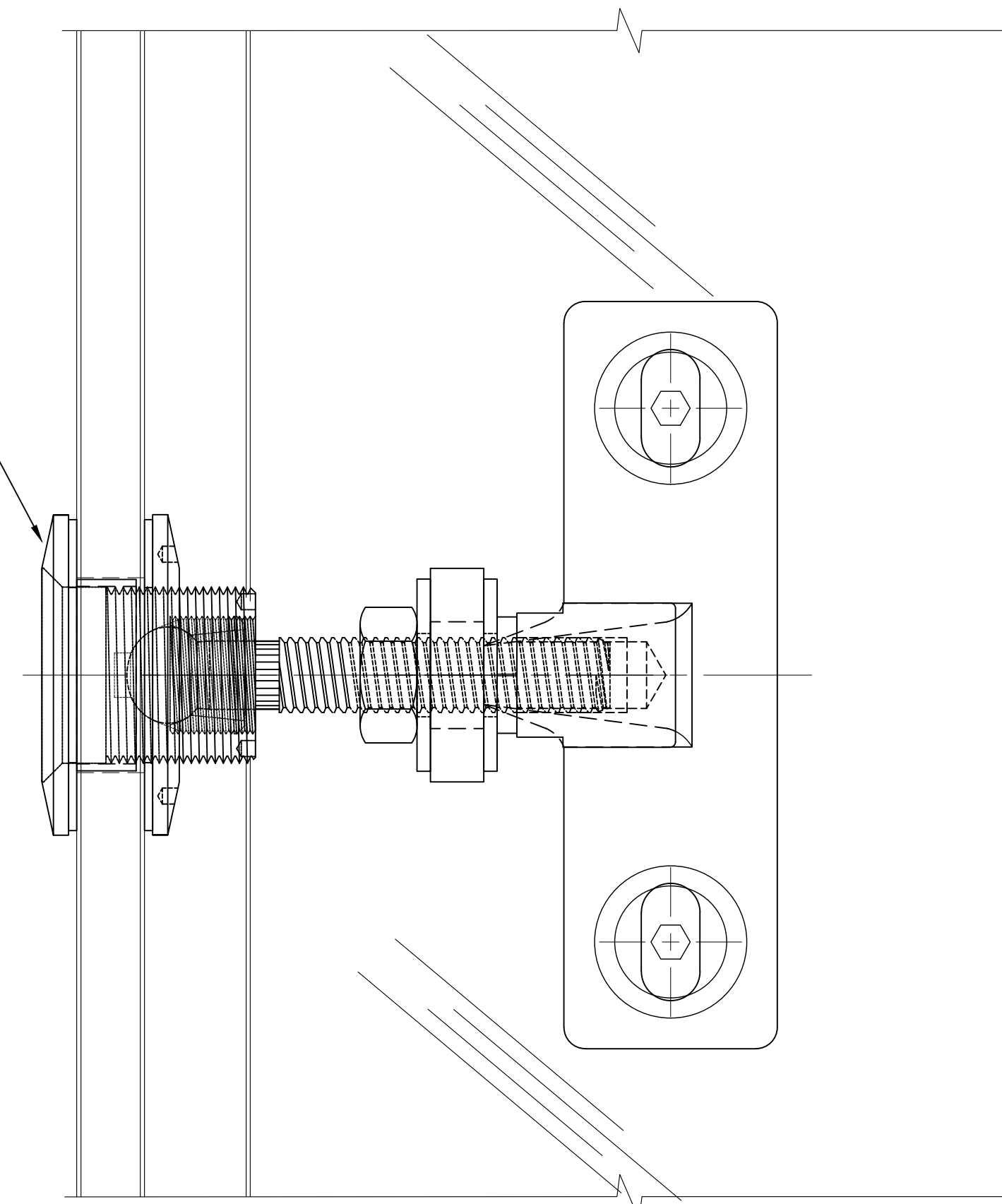
② TOP VIEW

1'-0"=1'-0"



① ELEVATION

1'-0"=1'-0"



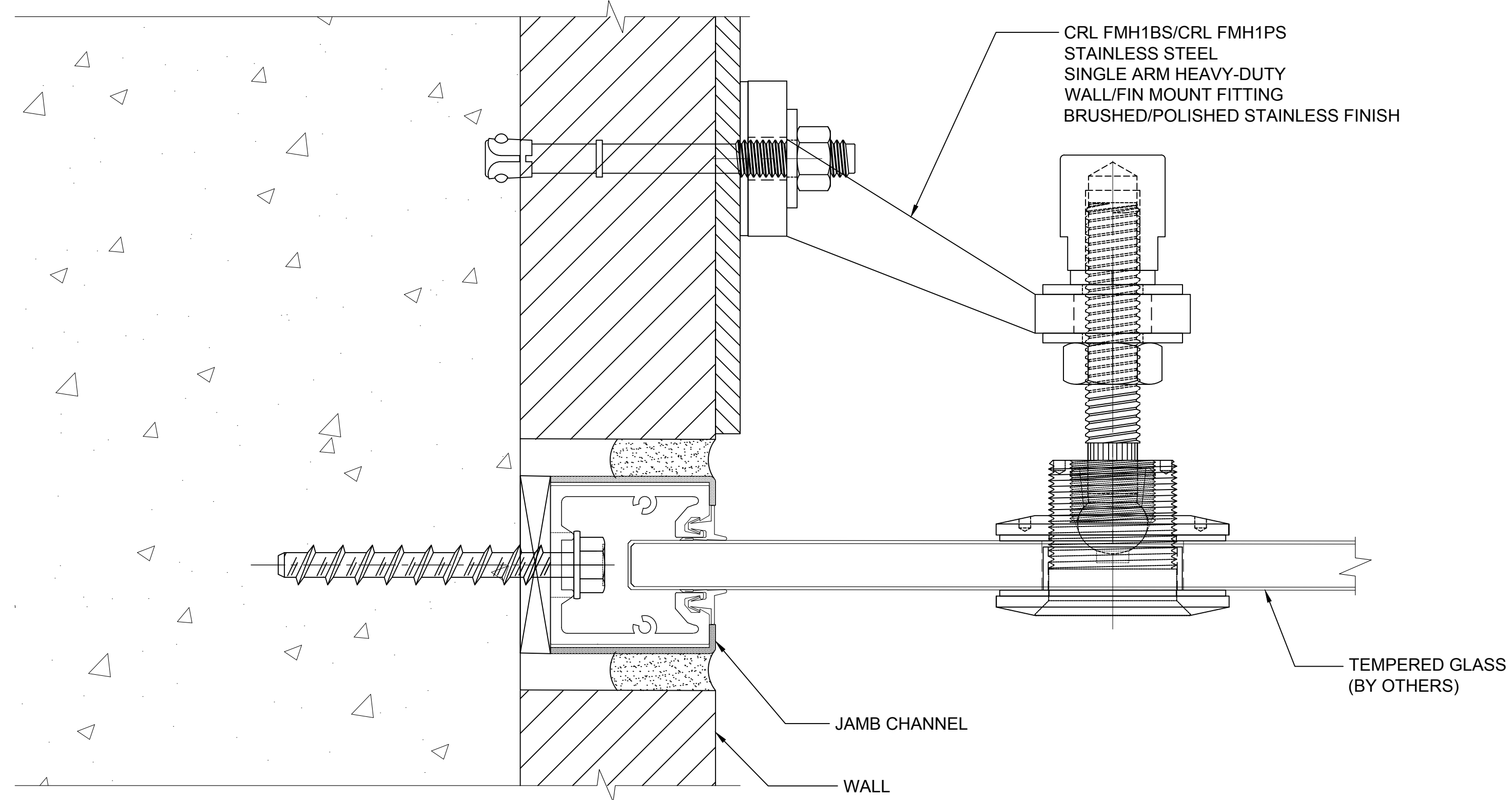
③ LEFT SIDE

1'-0"=1'-0"

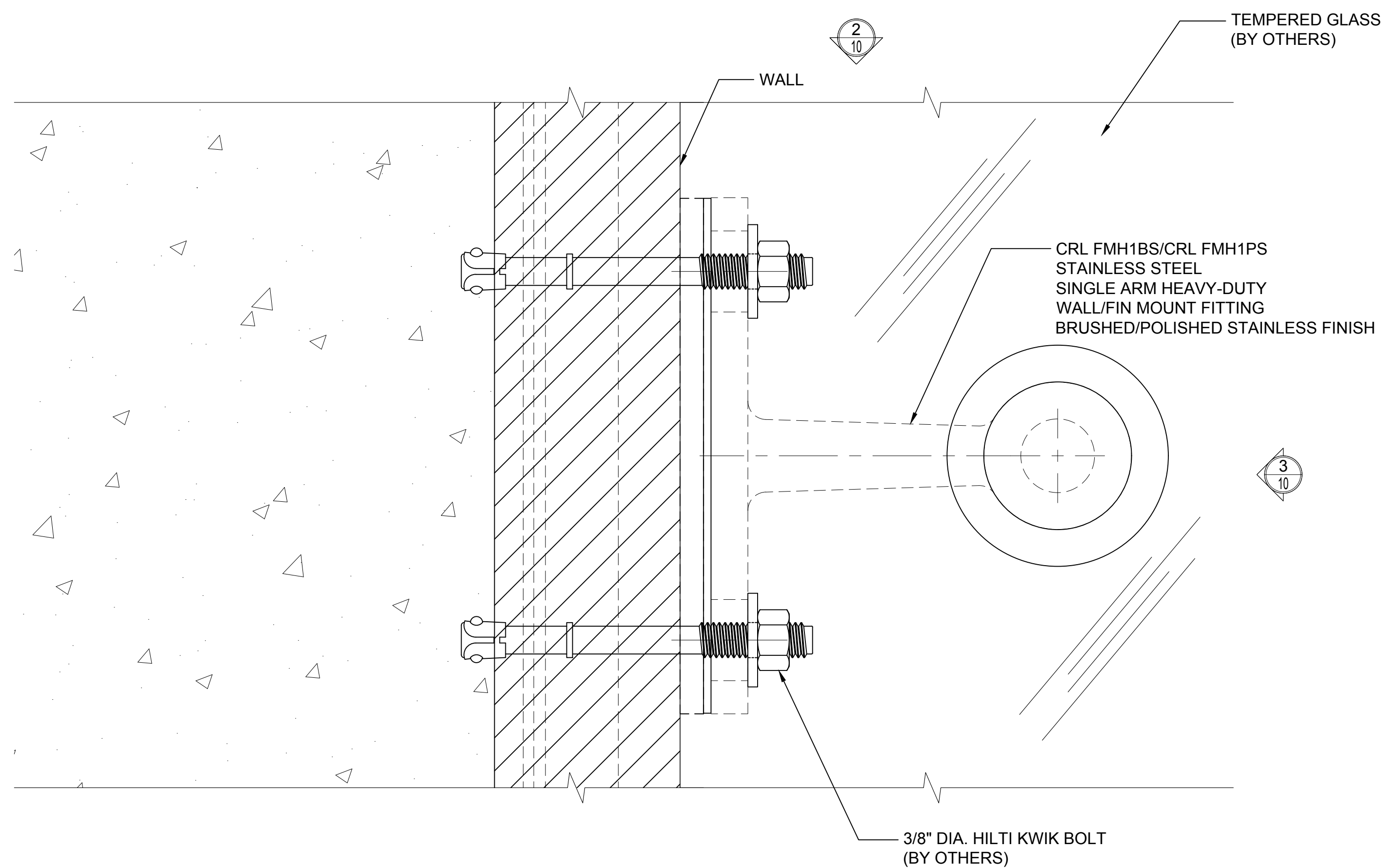
Description:
CRL SPIDER FITTINGS

Drawn By: JRM
Date: 4/4/17
Scale: FULL
File Name: Heavy Duty Spider Fittings.dwg
Sheet

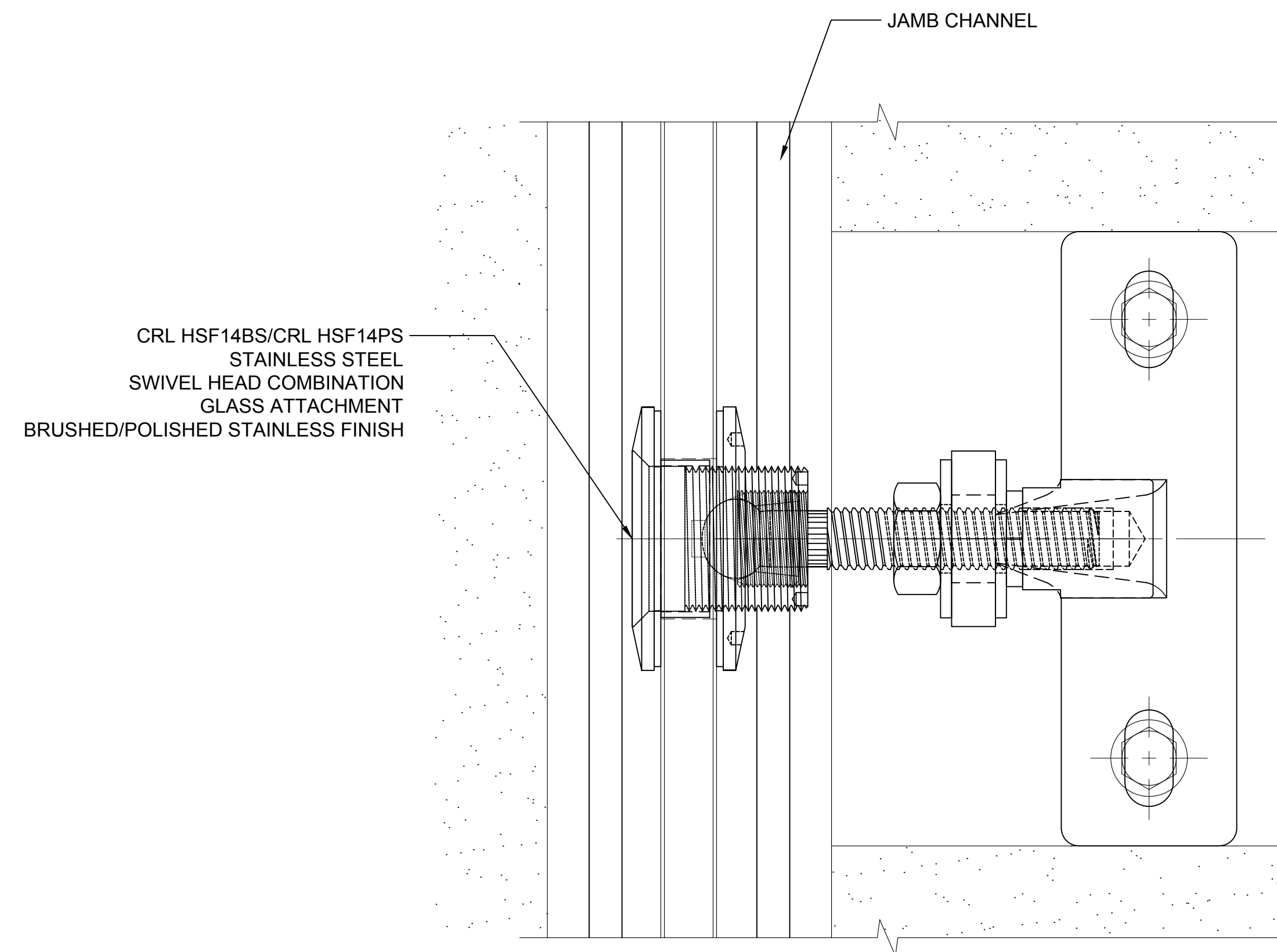
DOUBLE ARM HEAVY-DUTY WALL/FIN MOUNT FITTING FMH2



② TOP VIEW
1'-0"=1'-0"



① ELEVATION
1'-0"=1'-0"



③ RIGHT SIDE
1'-0"=1'-0"

SINGLE ARM HEAVY-DUTY WALL/FIN MOUNT FITTING FMH1

Revisions By:



C.R. LAURENCE CO. ARCHITECTURAL PRODUCTS
2503 E. Vernon Avenue, Los Angeles, CA 90058-1897
PH: (800)-421-6144 FX: 800-587-7301 www.crlaurence.com

Description:

CRL SPIDER FITTINGS

Drawn By: JRM

Date: 4/4/17

Scale: FULL

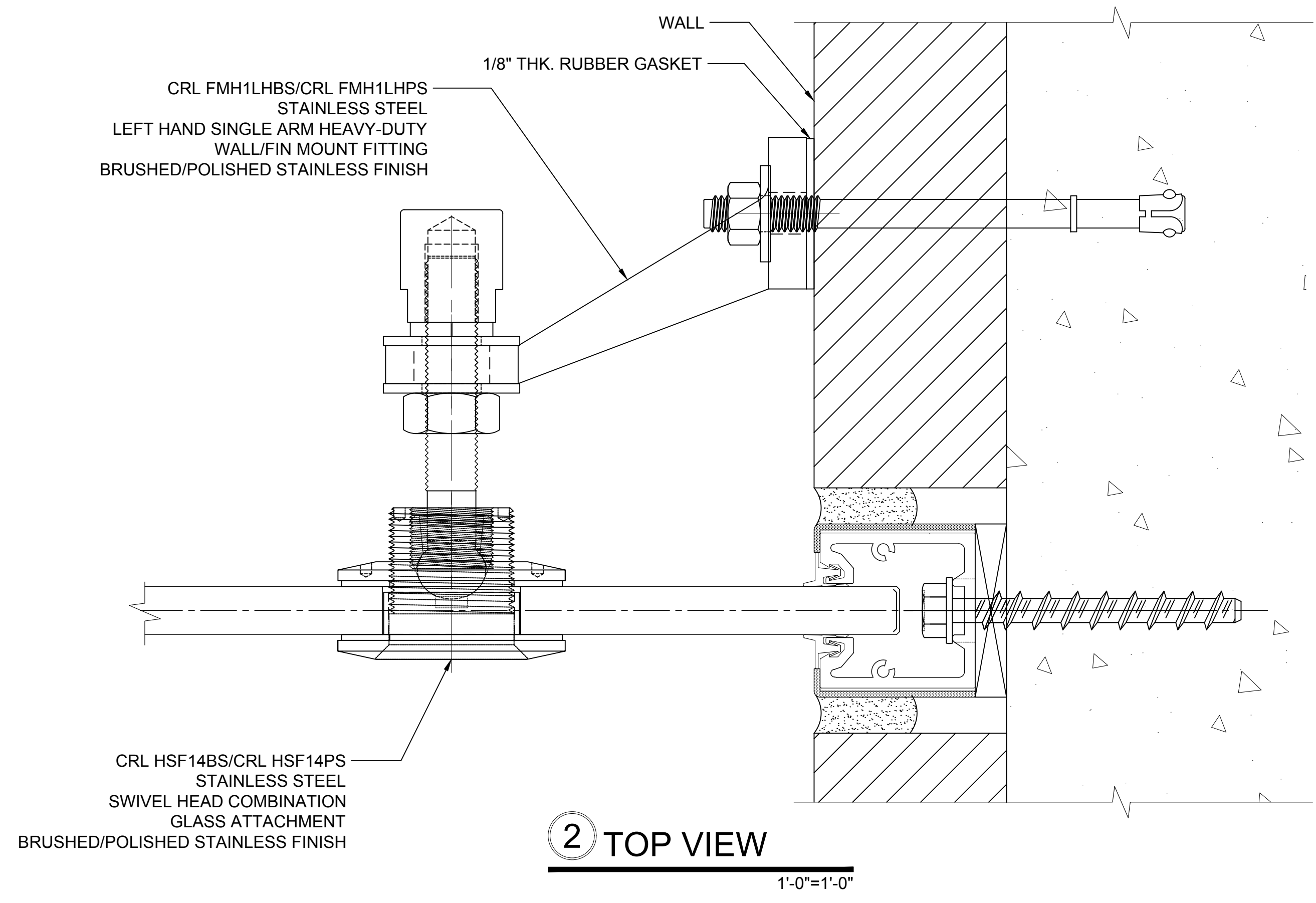
File Name:

Heavy Duty Spider Fittings.dwg

Sheet

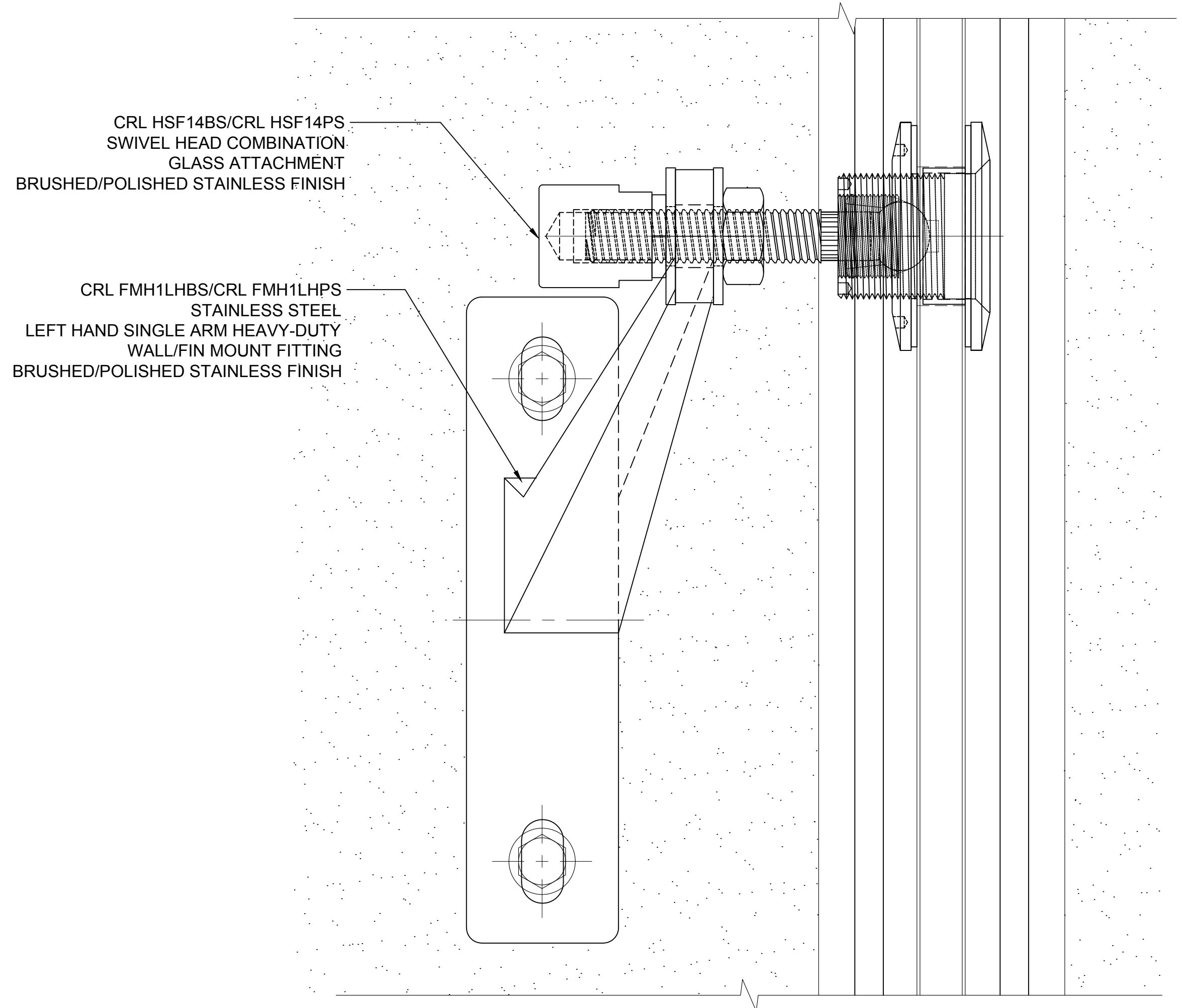
Revisions By:

CRL
US ALUMINUM
C.R. LAURENCE CO. ARCHITECTURAL PRODUCTS
2503 E. Vernon Avenue, Los Angeles, CA 90058-1897
PH: (800)-421-6144 FX: (800)-587-7301 www.crlaurence.com



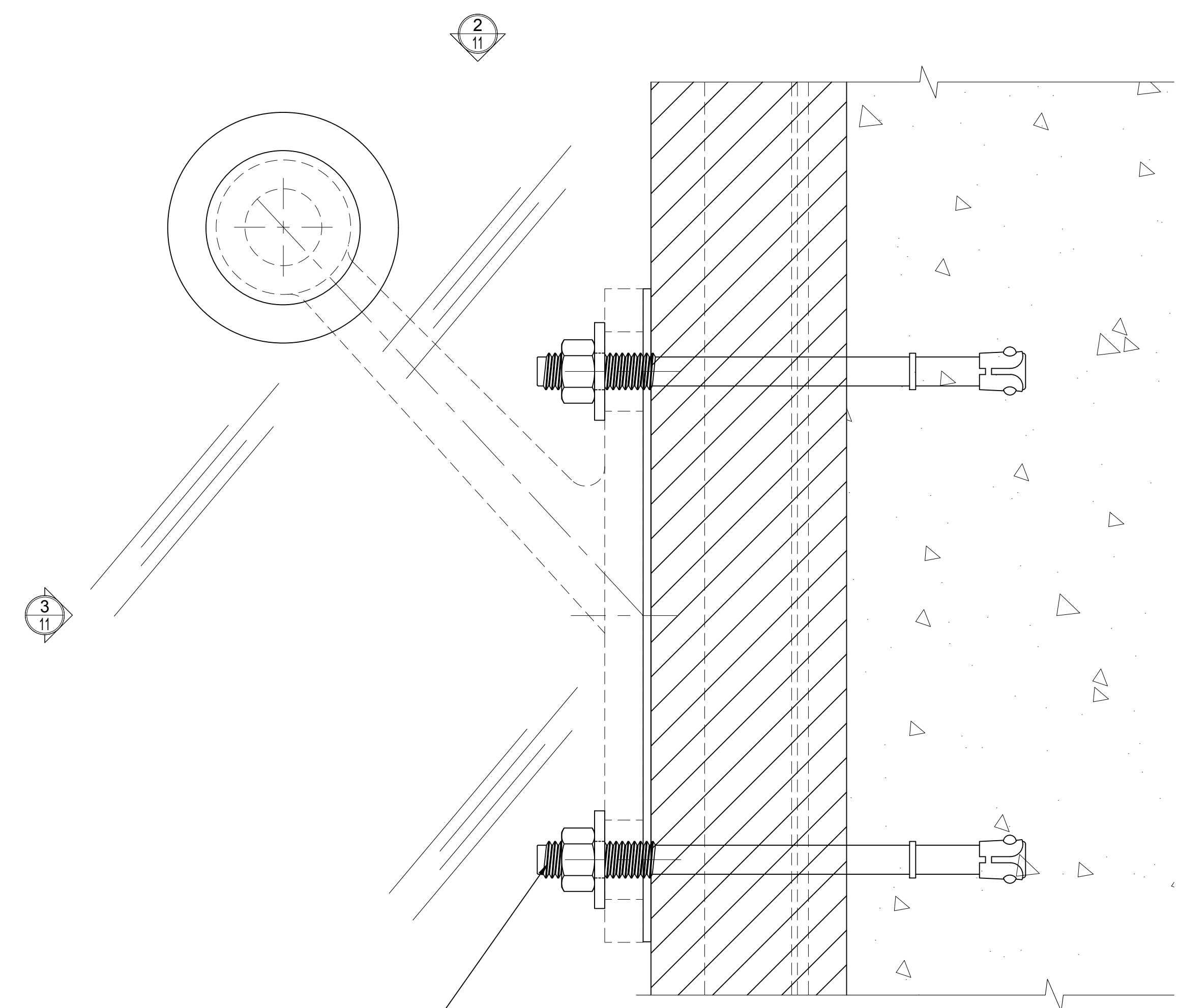
2 TOP VIEW

1'-0"=1'-0"



3 LEFT SIDE

1'-0"=1'-0"



1 ELEVATION

1'-0"=1'-0"

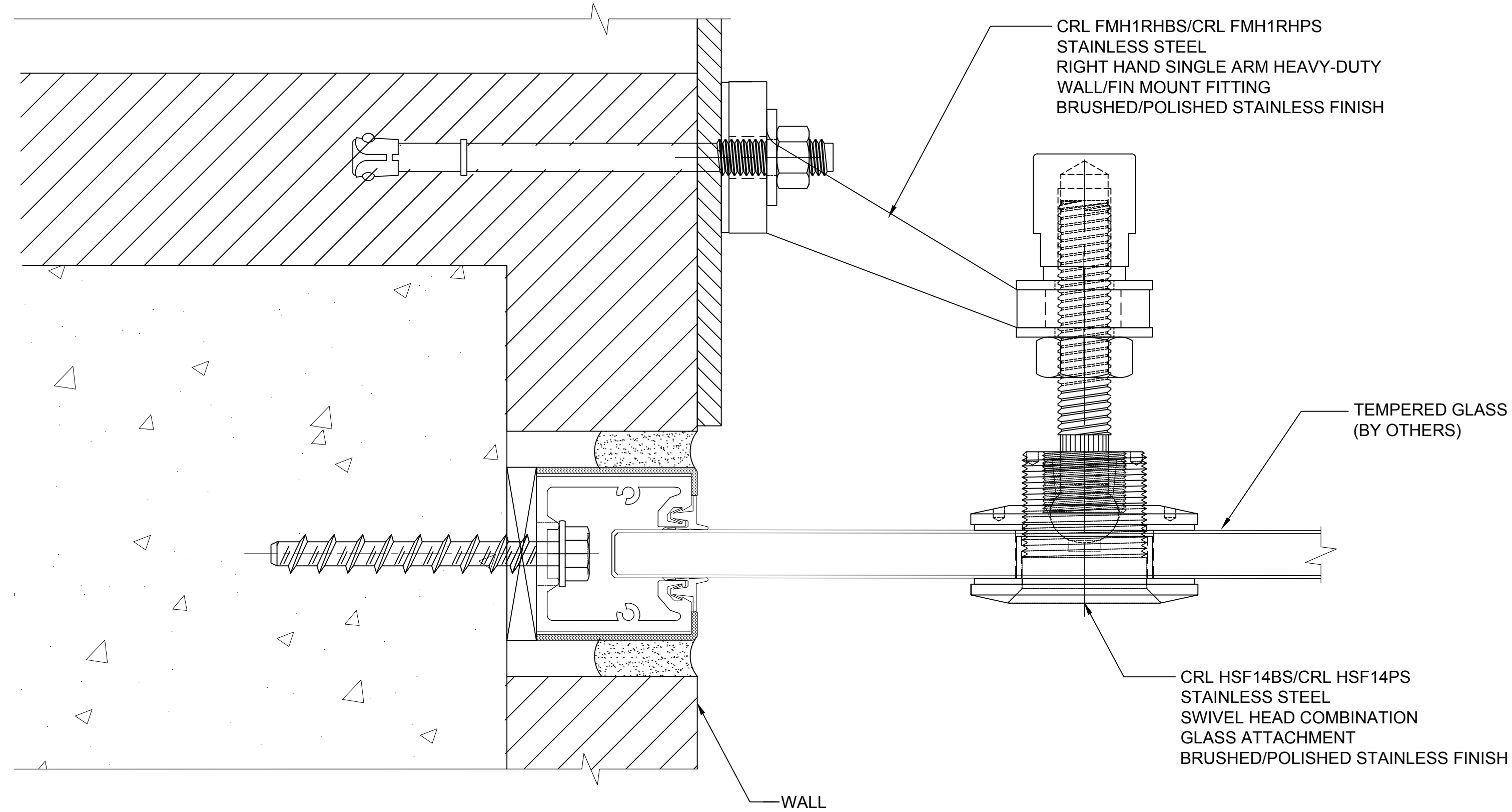
LEFT HAND SINGLE ARM HEAVY-DUTY WALL/FIN MOUNT FITTING FMH1LH

Description:
CRL SPIDER FITTINGS

Drawn By: JRM
Date: 4/4/17
Scale: FULL
File Name:
Heavy Duty Spider Fittings.dwg
Sheet

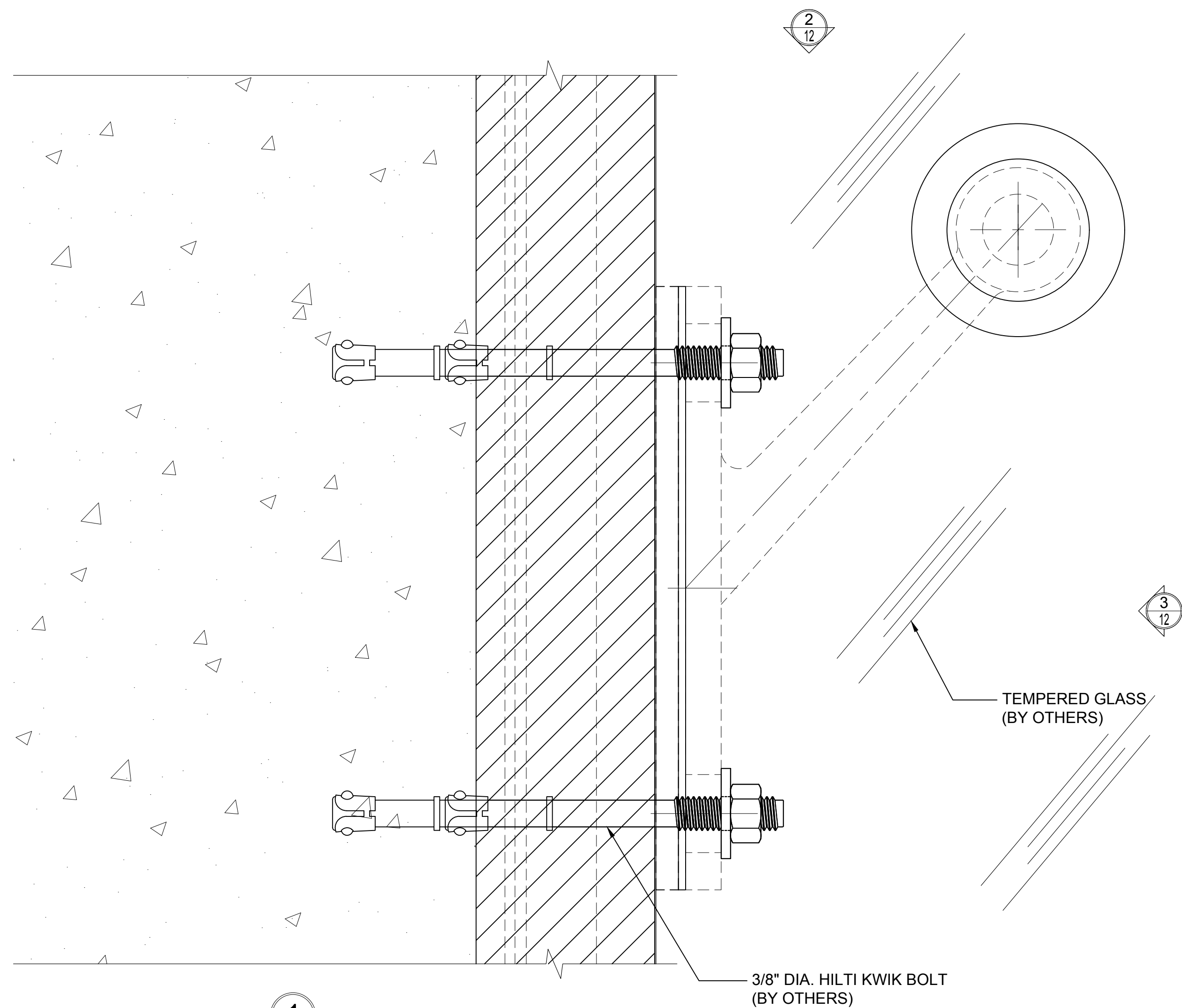
Revisions By:

CRL
US ALUMINUM
C.R. LAURENCE CO. ARCHITECTURAL PRODUCTS
2503 E. Vernon Avenue, Los Angeles, CA 90058-1897
PH: (800)-421-6144 FX: (800)-587-7301 www.crlaurence.com



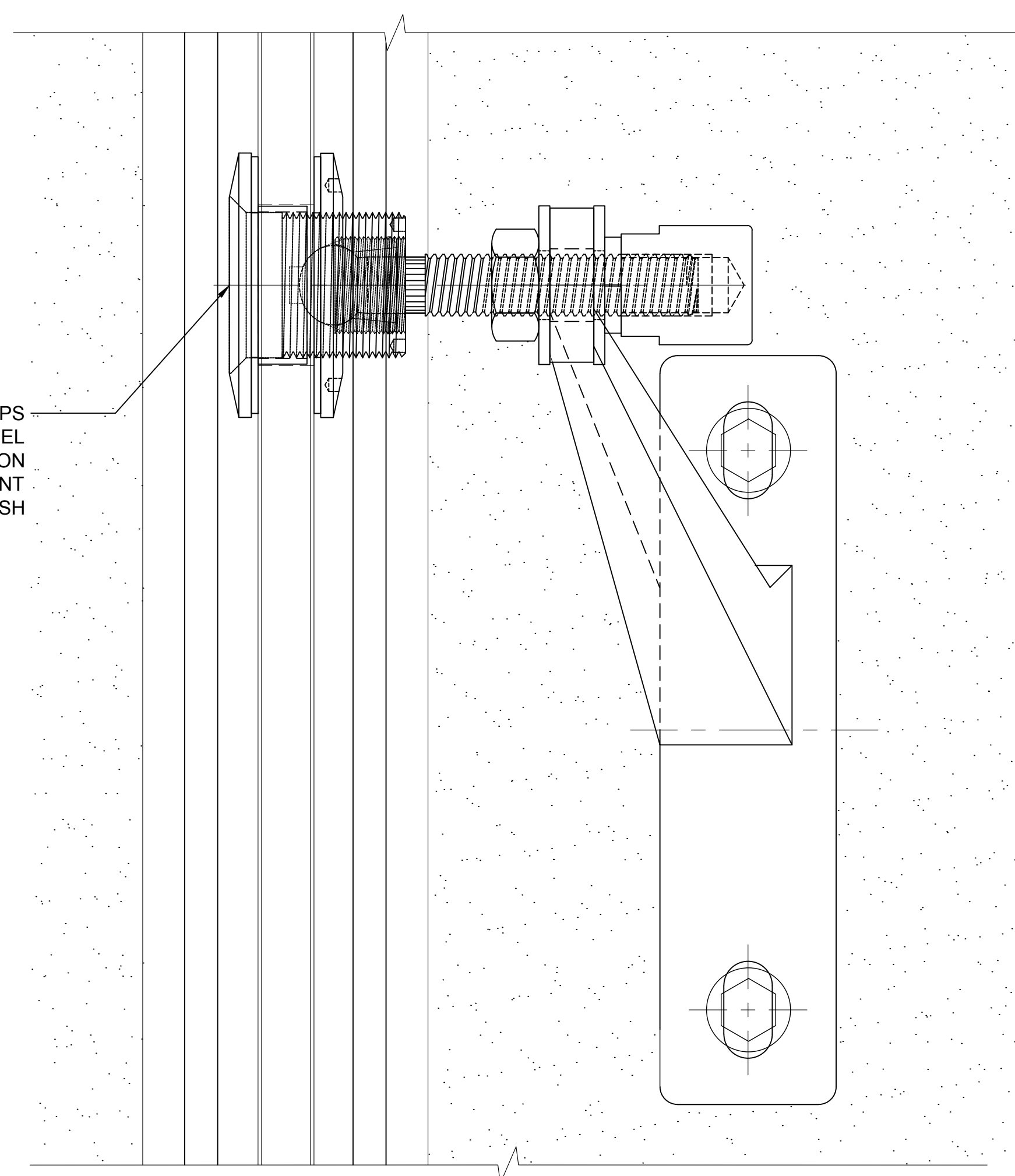
2 TOP VIEW

1'-0"=1'-0"



1 ELEVATION

1'-0"=1'-0"



3 RIGHT SIDE

1'-0"=1'-0"

RIGHT HAND SINGLE ARM HEAVY-DUTY WALL/FIN MOUNT FITTING FMH1RH

Description:

CRL SPIDER FITTINGS

Drawn By: JRM

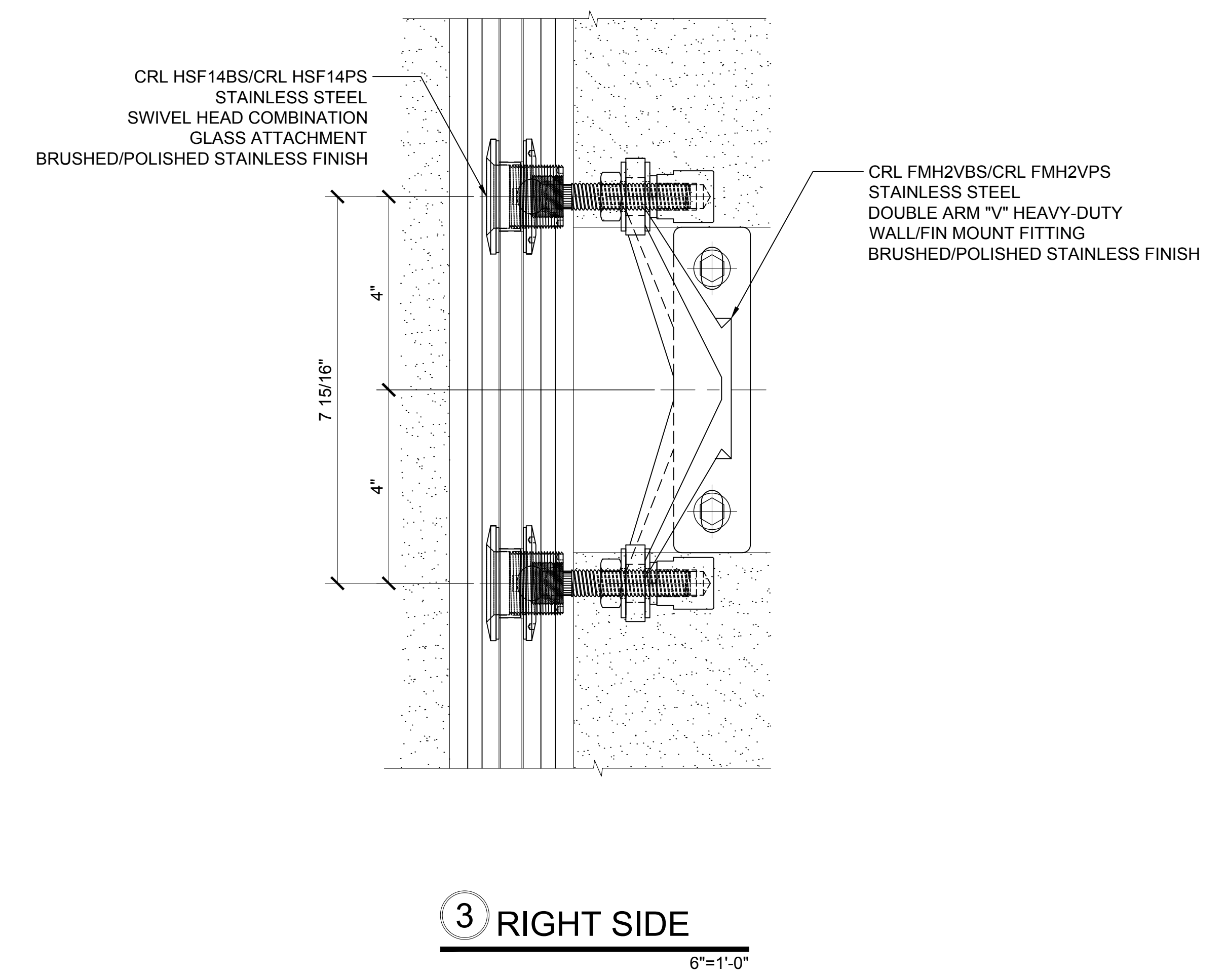
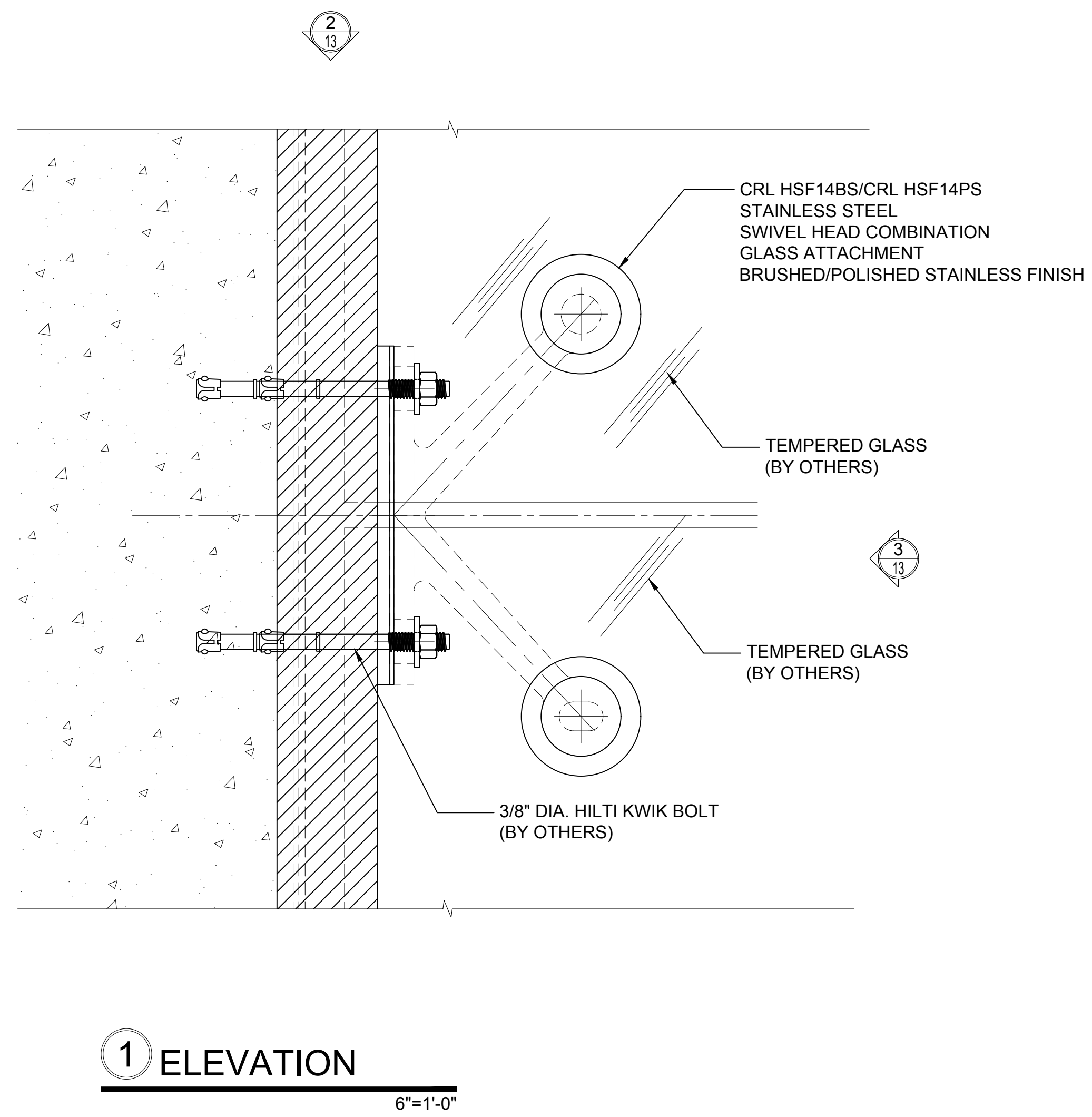
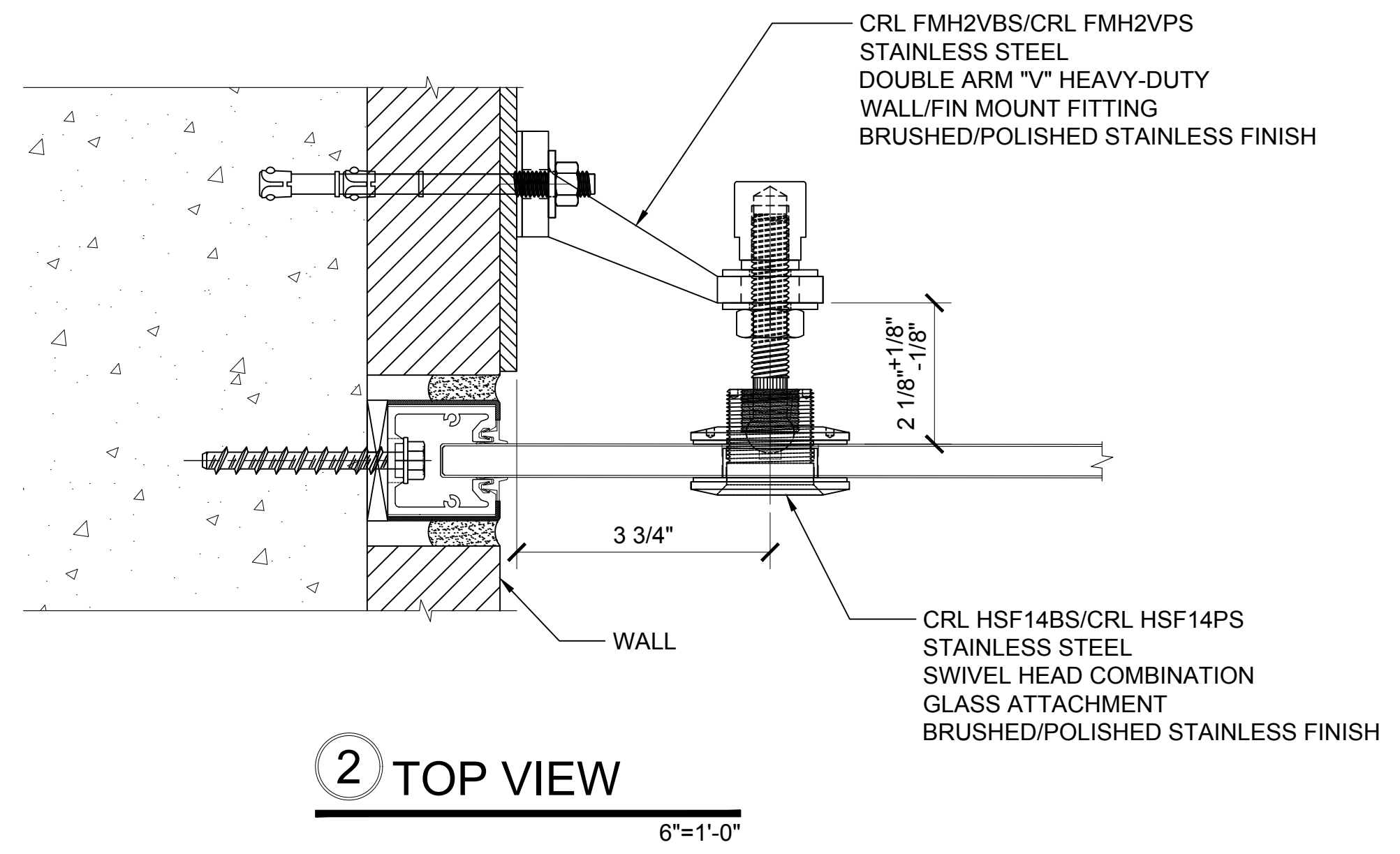
Date: 4/4/17

Scale: FULL

File Name:

Heavy Duty Spider Fittings.dwg

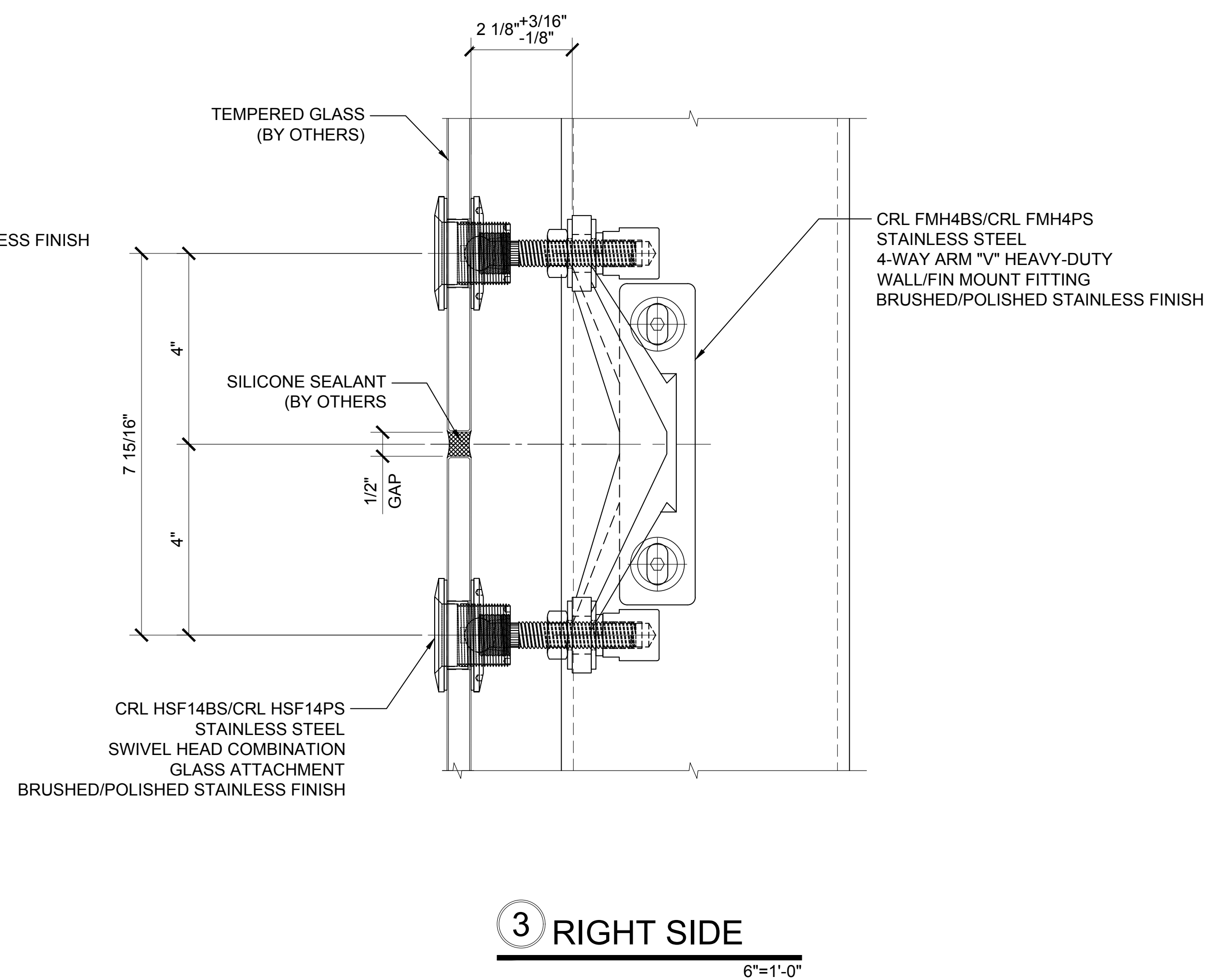
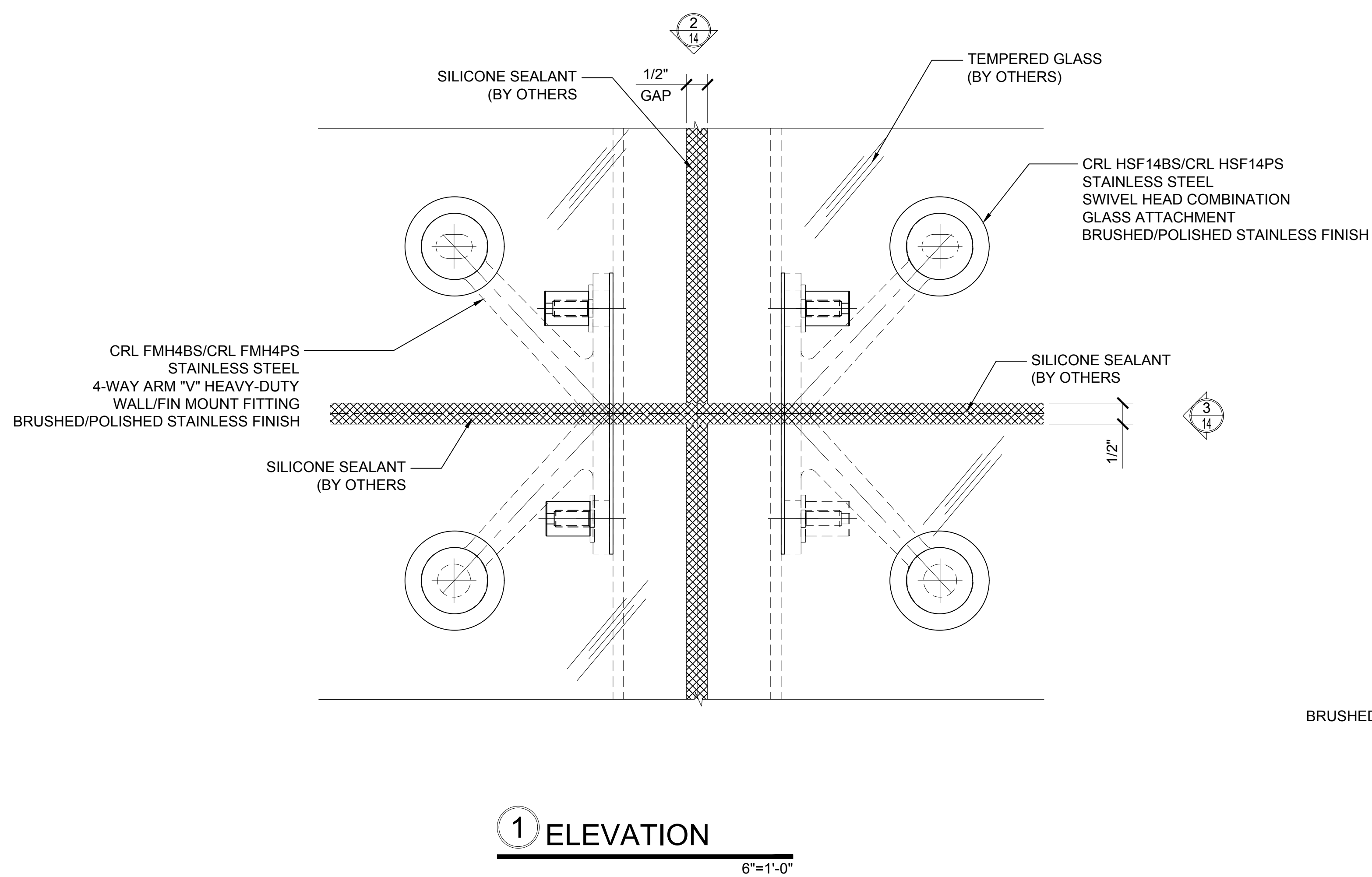
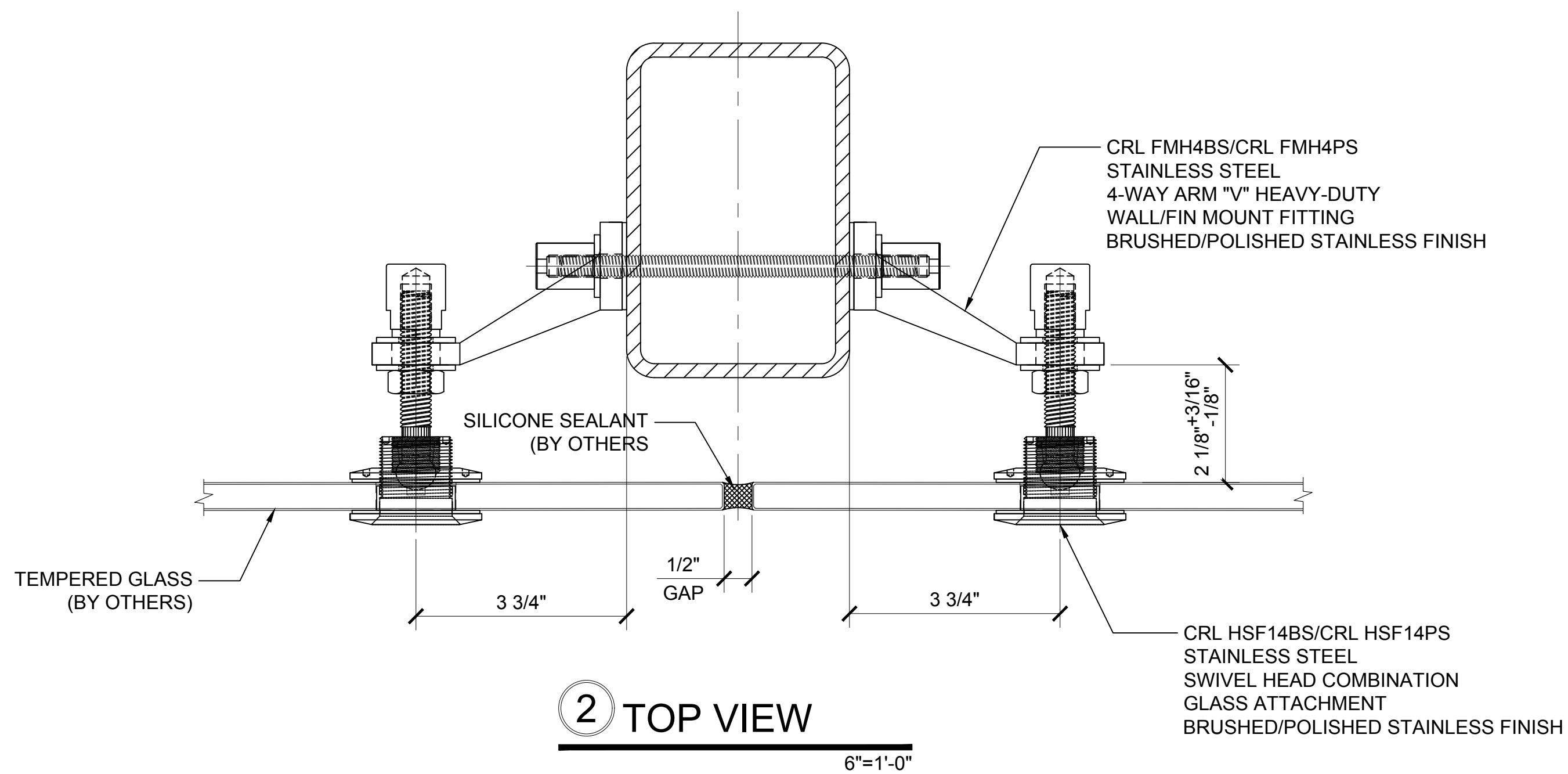
Sheet



ASSEMBLY - DOUBLE ARM "V" HEAVY-DUTY WALL/FIN MOUNT FITTING FMH2V

Description:
CRL SPIDER FITTINGS

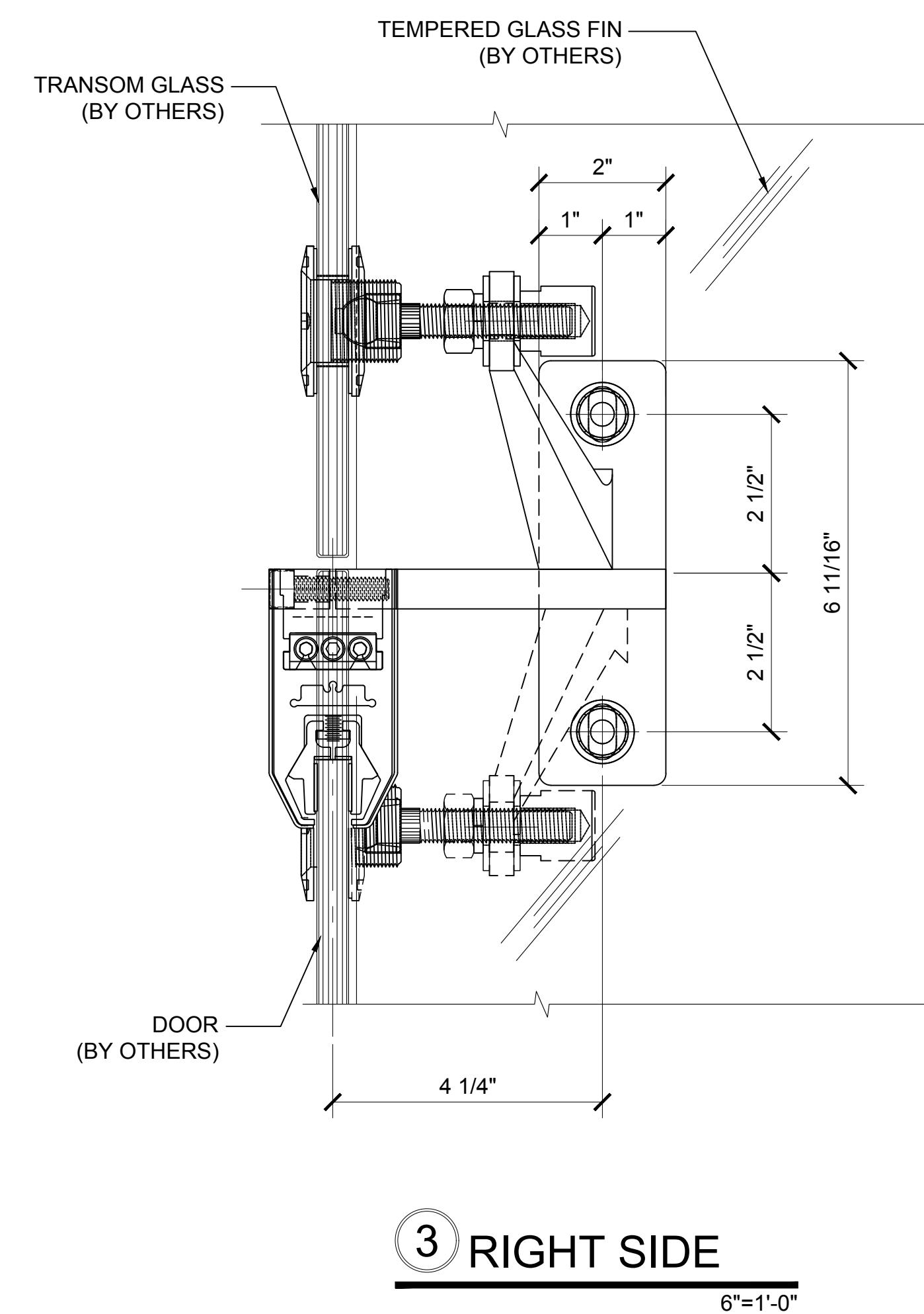
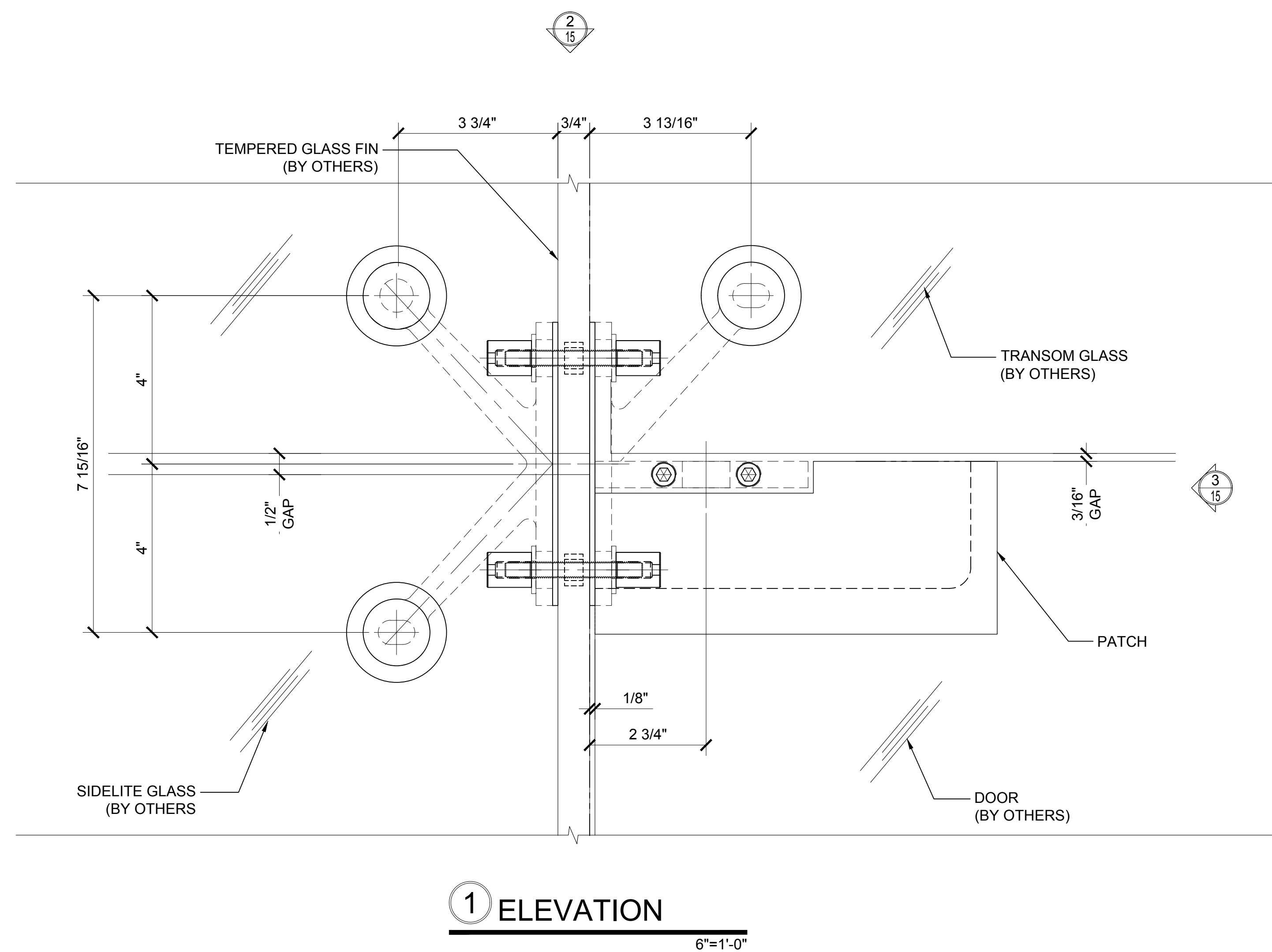
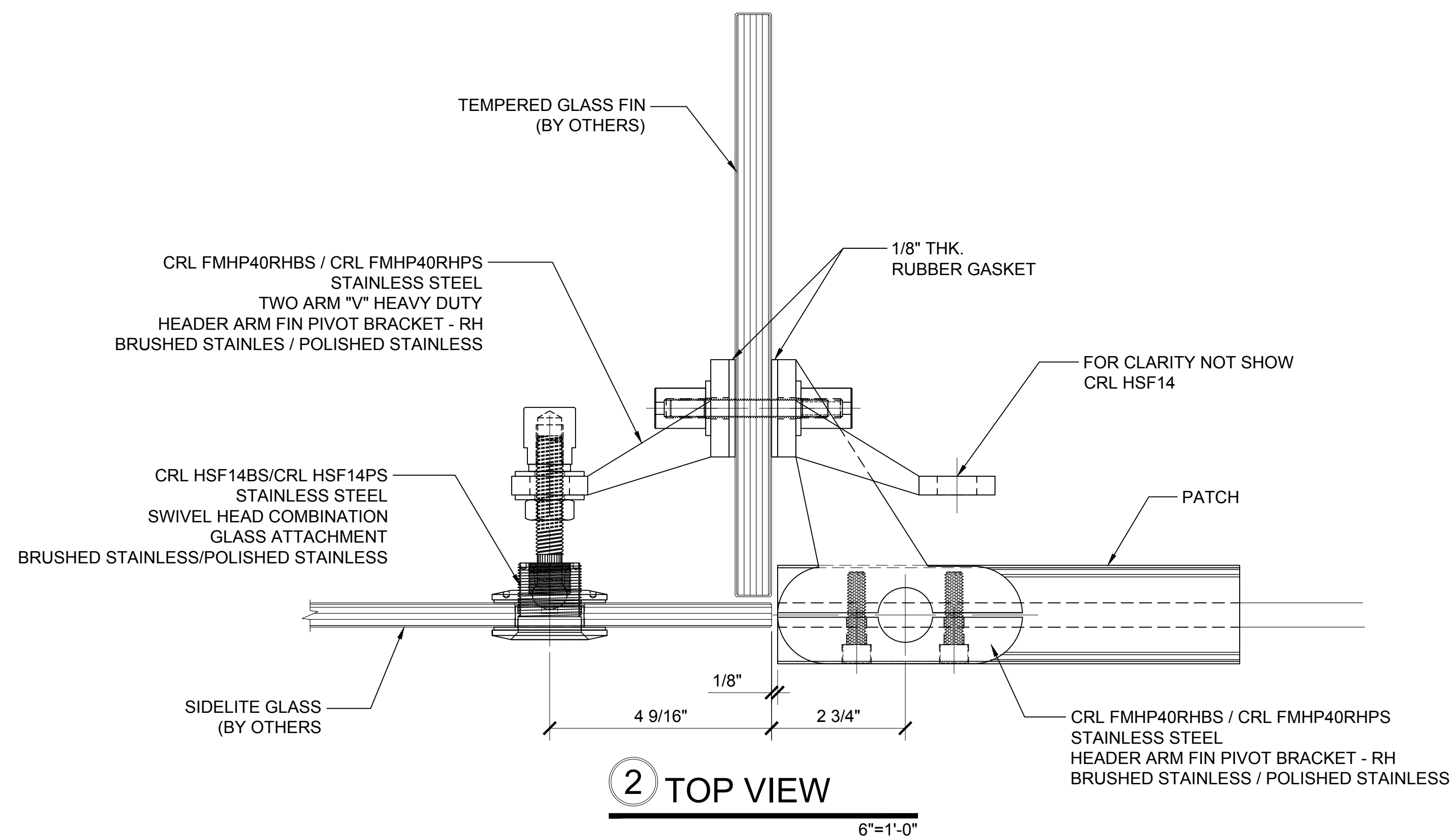
Drawn By: JRM
 Date: 4/4/17
 Scale: 6"=1'-0"
 File Name:
 Heavy Duty Spider Fittings.dwg
 Sheet



ASSEMBLY - FOUR ARM "V" HEAVY-DUTY WALL/FIN MOUNT FITTING FMH4

Description:
CRL SPIDER FITTINGS

Drawn By: JRM
Date: 4/4/17
Scale: 6"=1'-0"
File Name: Heavy Duty Spider Fittings.dwg
Sheet

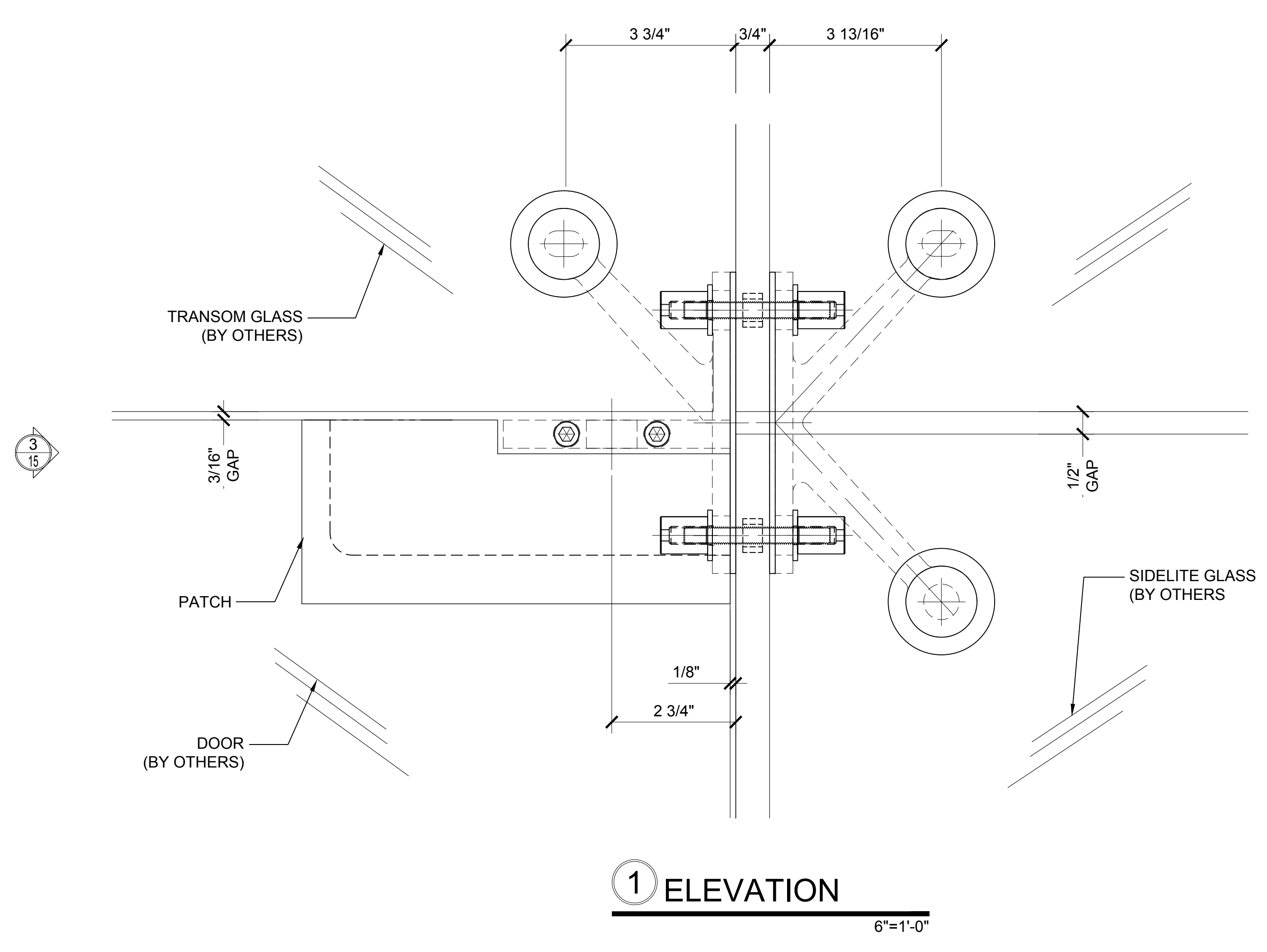
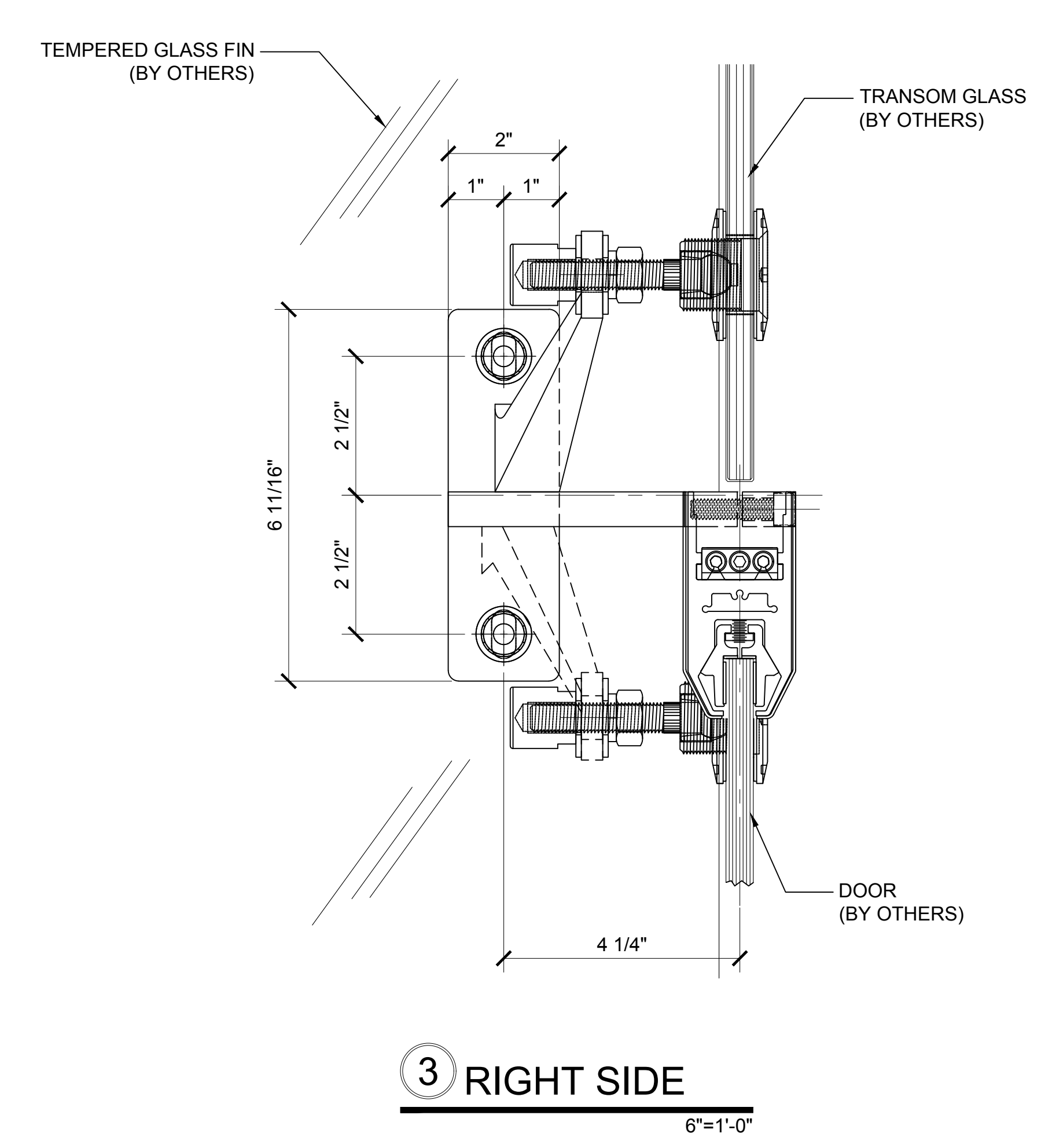
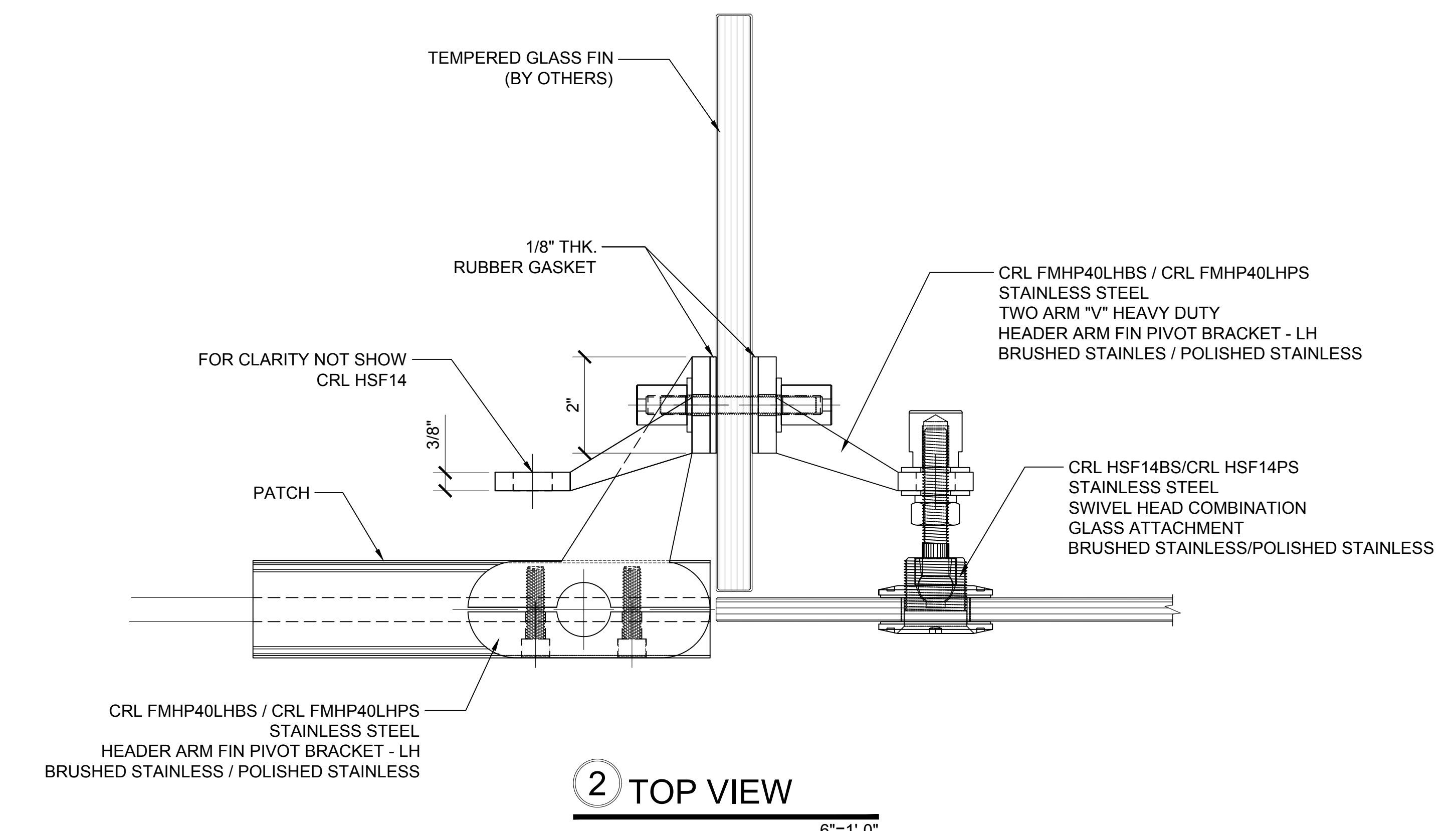


ASSEMBLY - HEADER ARM FIN PIVOT BRACKET - R.H. FMHP40RH

Description:
 CRL SPIDER FITTINGS

Drawn By: JRM
 Date: 4/4/17
 Scale: 6"=1'-0"
 File Name: Heavy Duty Spider Fittings.dwg
 Sheet

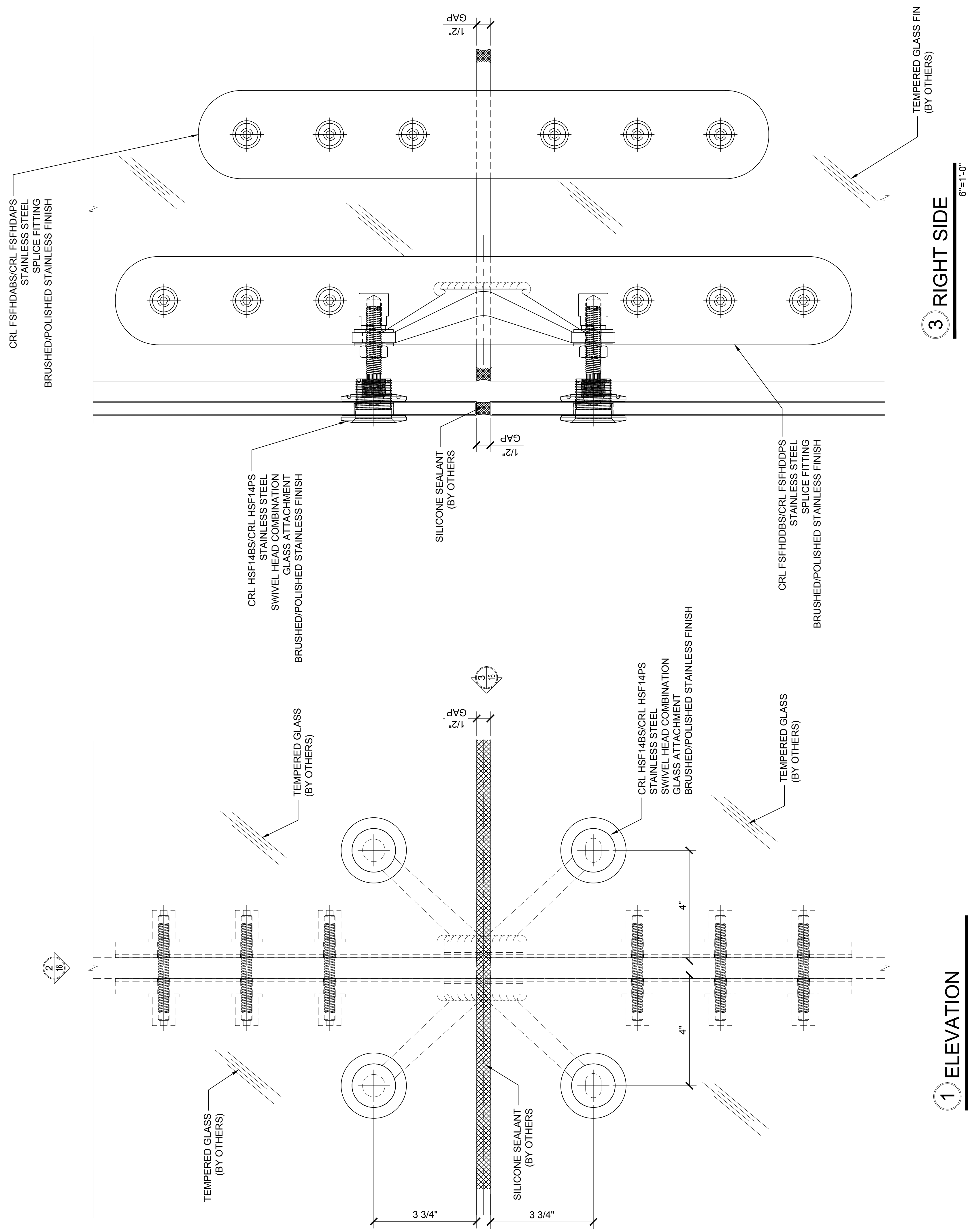
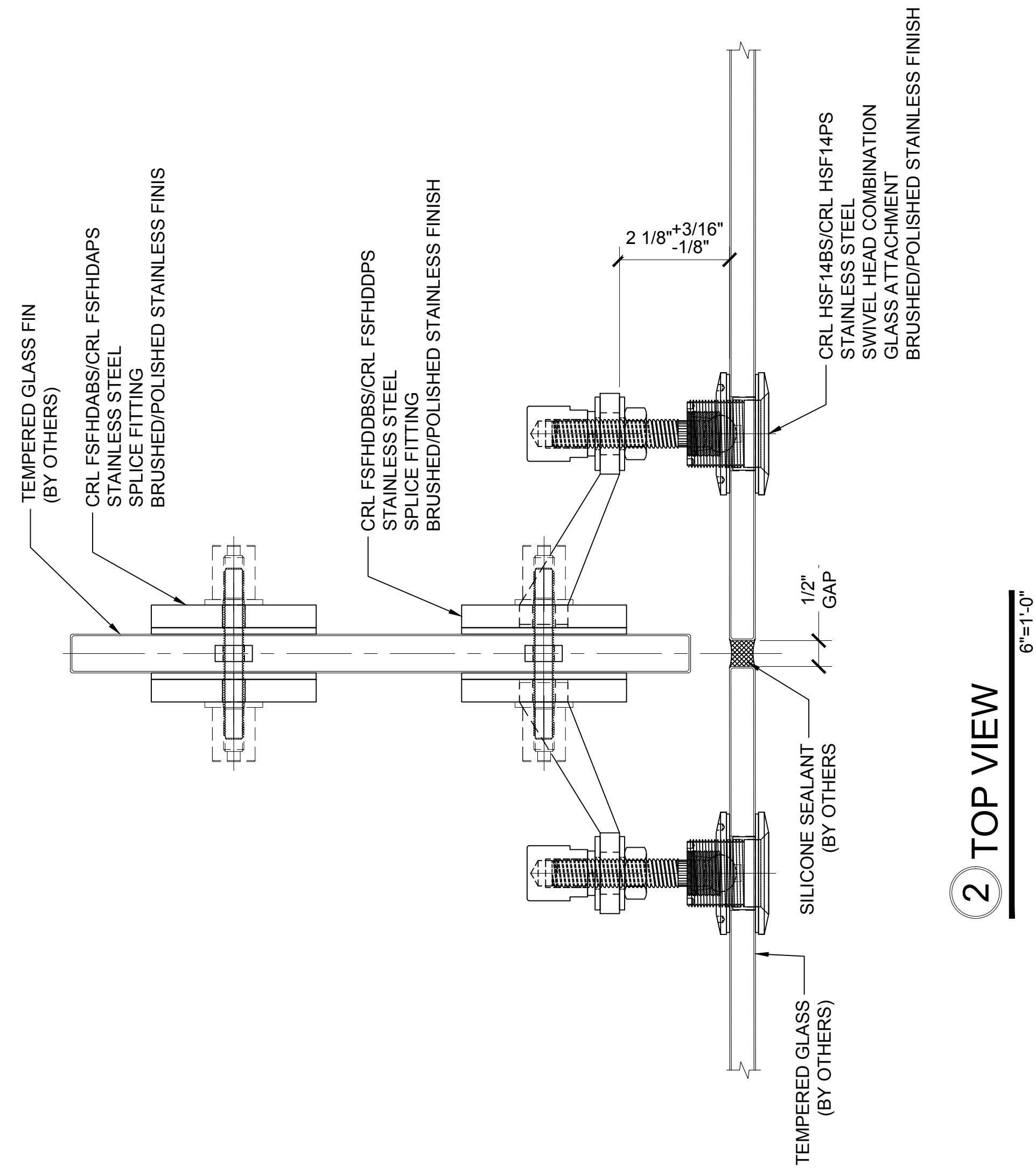
Revisions By:



ASSEMBLY - HEADER ARM FIN PIVOT BRACKET - L.H. FMHP40LH

Description:
CRL SPIDER FITTINGS

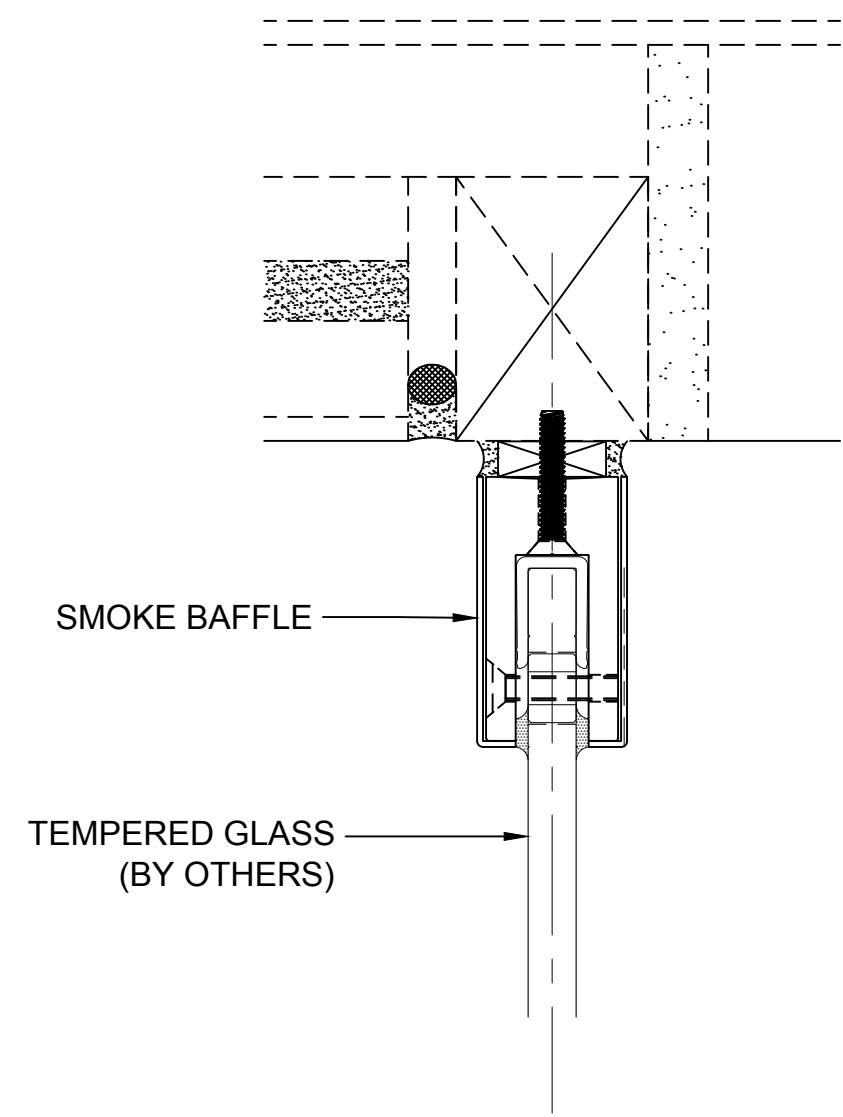
Drawn By: JRM
Date: 4/4/17
Scale: 6"=1'-0"
File Name: Heavy Duty Spider Fittings.dwg
Sheet



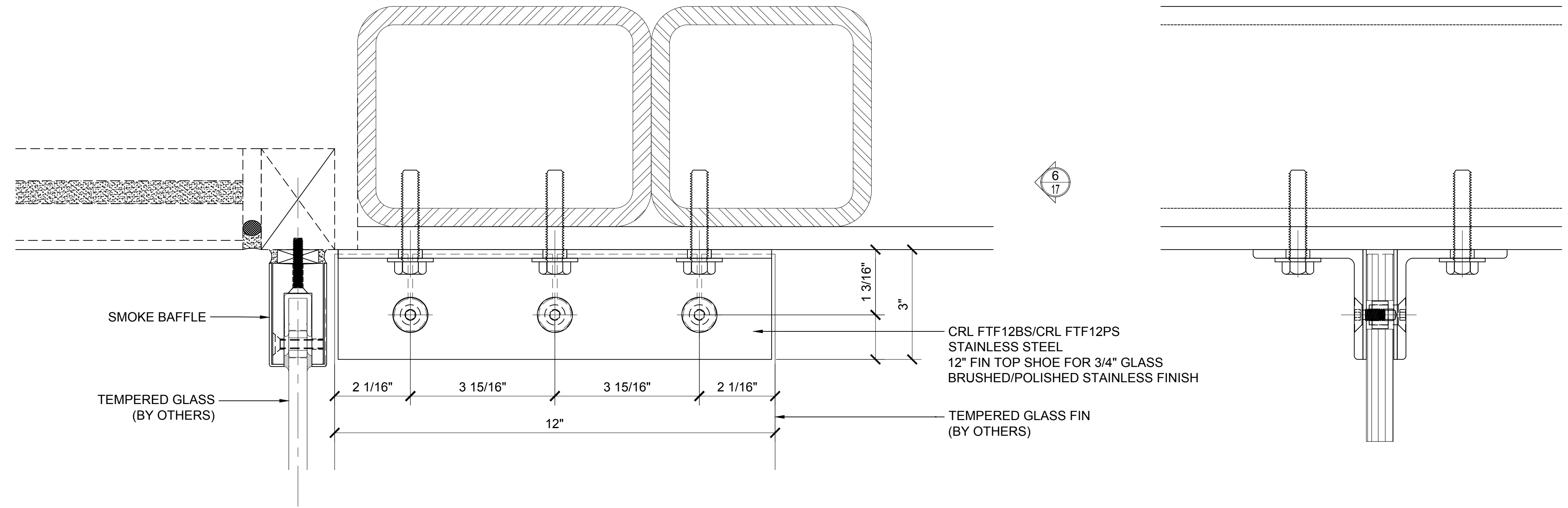
ASSEMBLY - SPLICE FITTING - FSFHD

Drawn By: JRM
Date: 4/4/17
Scale: 6"=1'-0"
File Name:
Heavy Duty Spider Fittings.dwg
Sheet

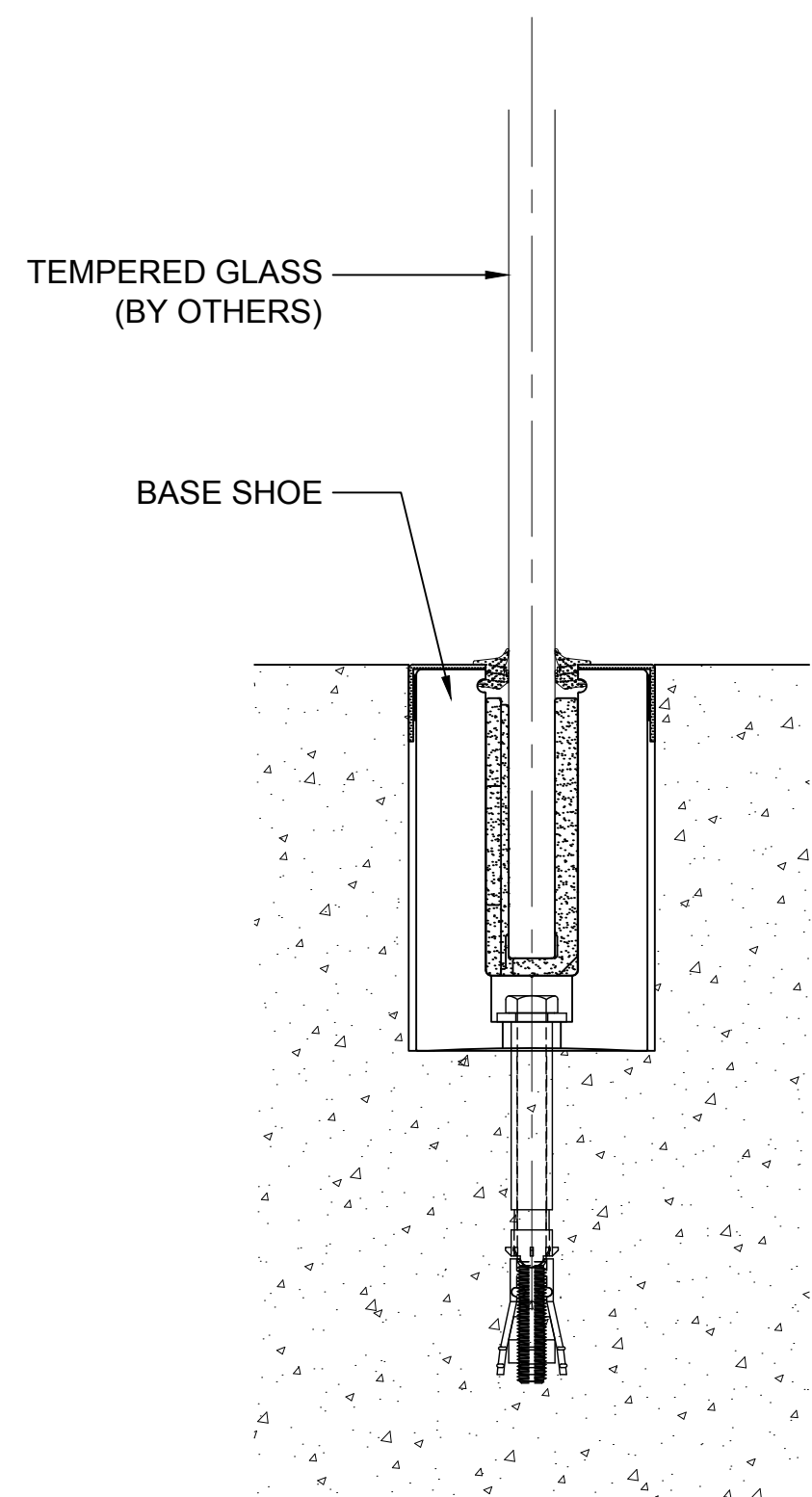
Description:
CRL SPIDER FITTINGS



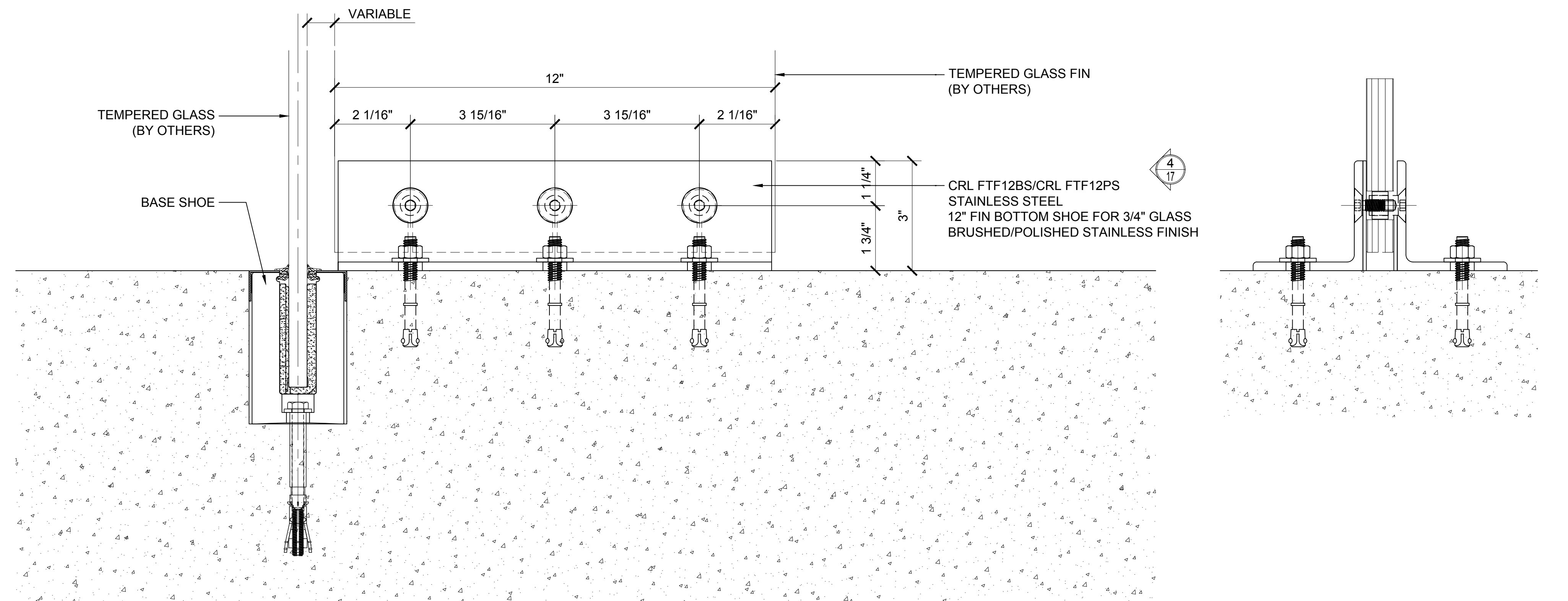
2 HEAD DETAIL
 6"=1'-0"



5 HEAD DETAIL AT FIN
 6"=1'-0"



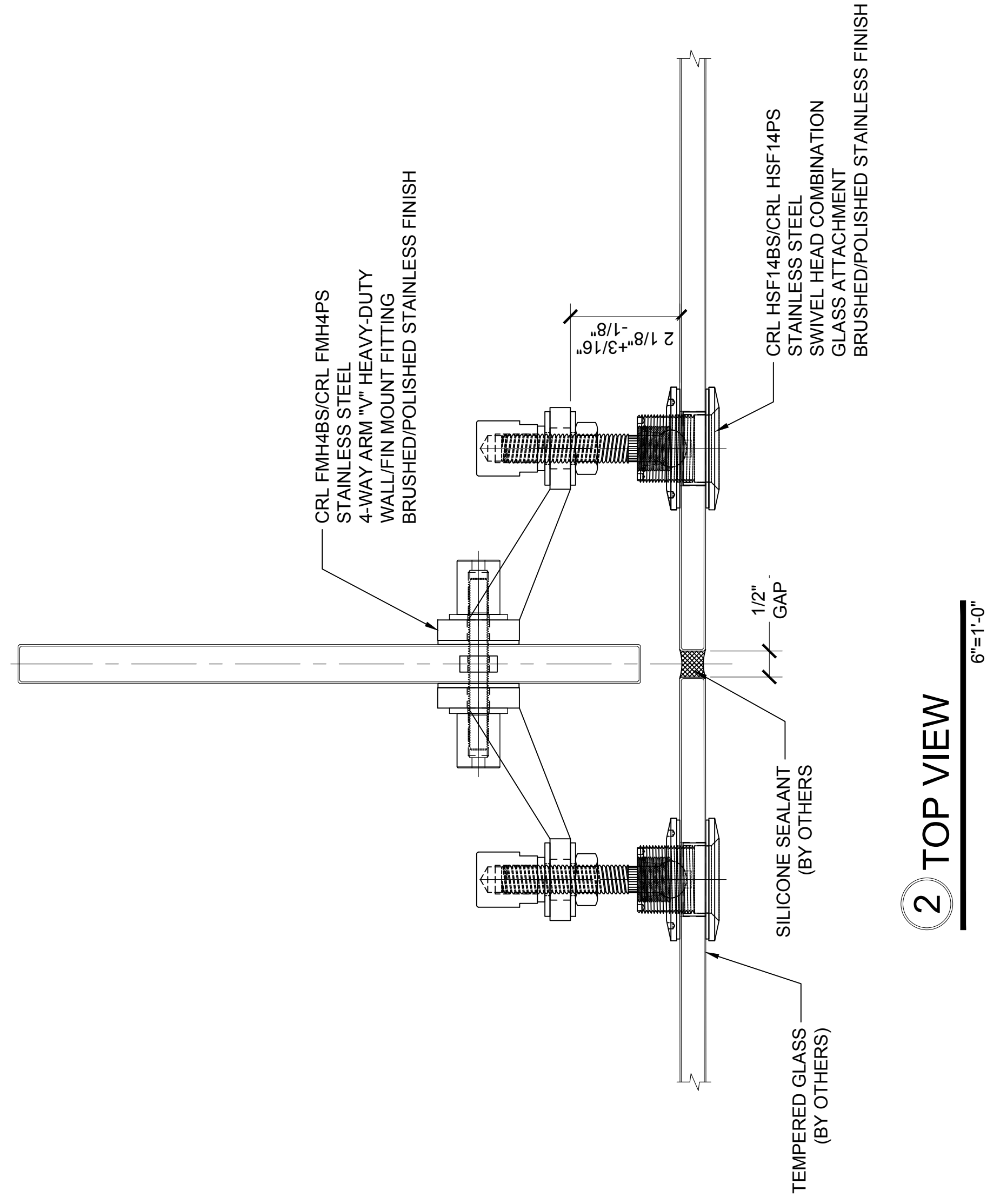
1 SILL DETAIL
 6"=1'-0"



3 SILL DETAIL AT FIN
 6"=1'-0"

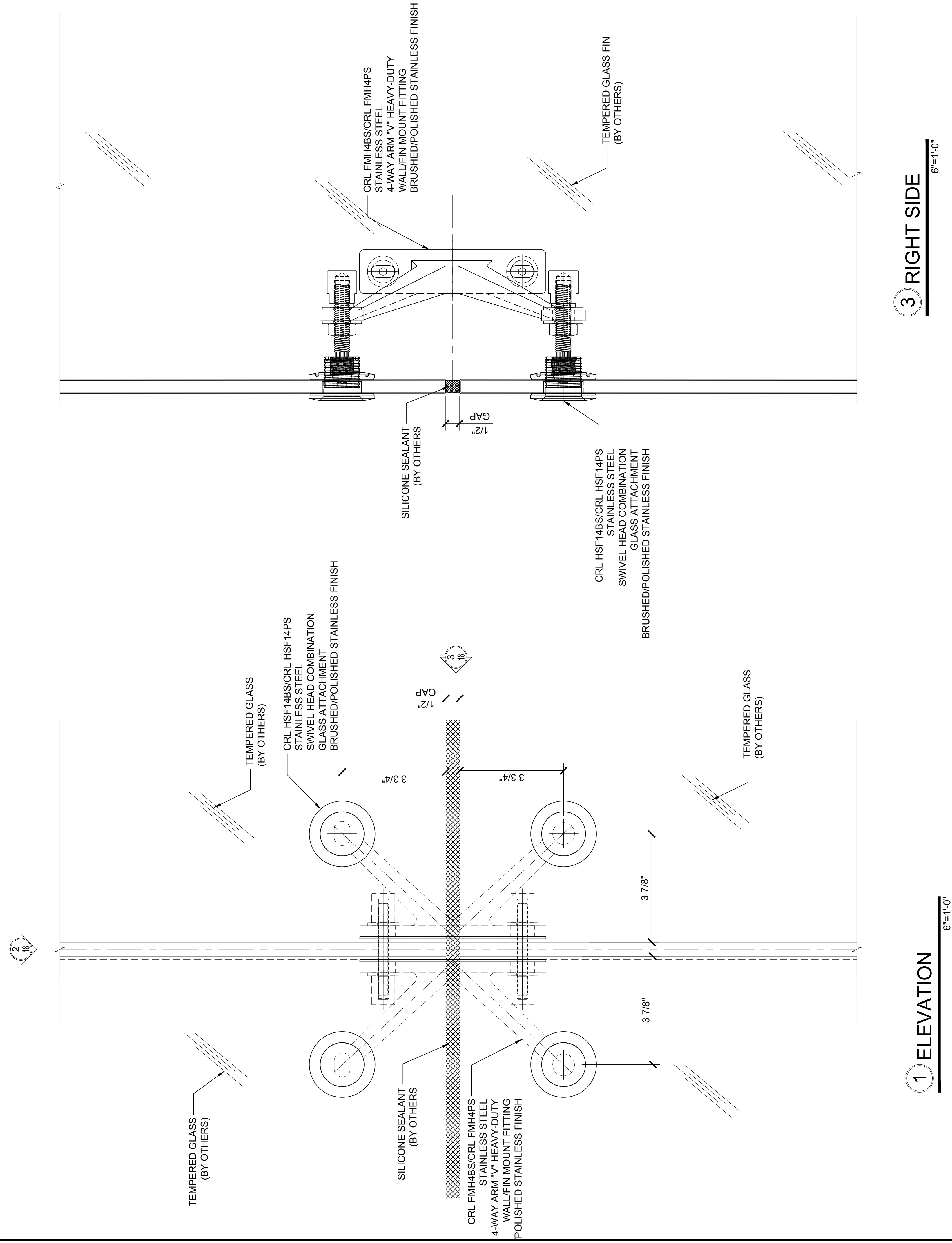
Discription:
 CRL SPIDER FITTINGS

Drawn By: JRM
 Date: 4/4/17
 Scale: 6"=1'-0"
 File Name: Heavy Duty Spider Fittings.dwg
 Sheet



2 TOP VIEW

6"=1'-0"



1 ELEVATION

6"=1'-0"

3 RIGHT SIDE

6"=1'-0"

ASSEMBLY - 4-WAY V-ARM GLASS FIN FITTING - FMH4BS/PS

Drawn By: JRM
 Date: 4/4/17
 Scale: 6"=1'-0"
 File Name: Heavy Duty Spider Fittings.dwg
 Sheet

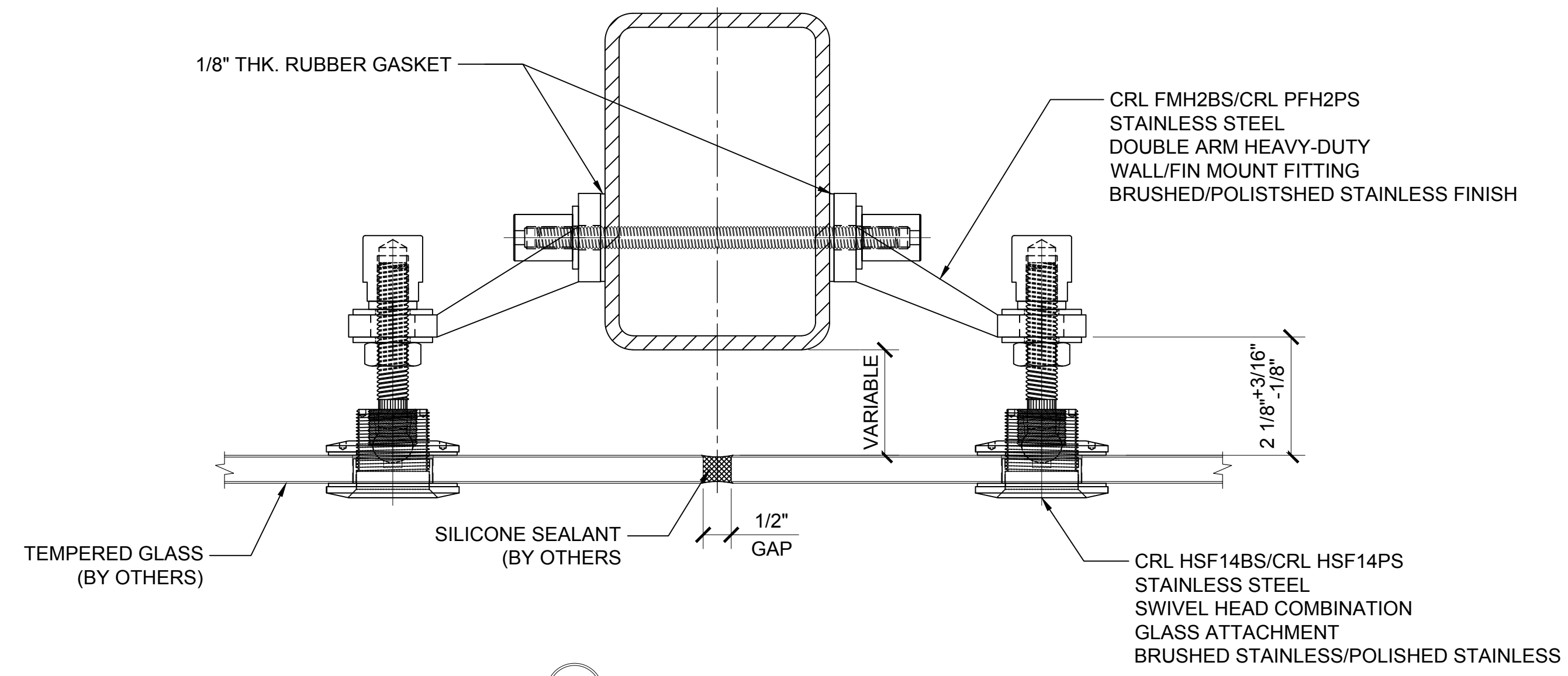
Description:

CRL SPIDER FITTINGS

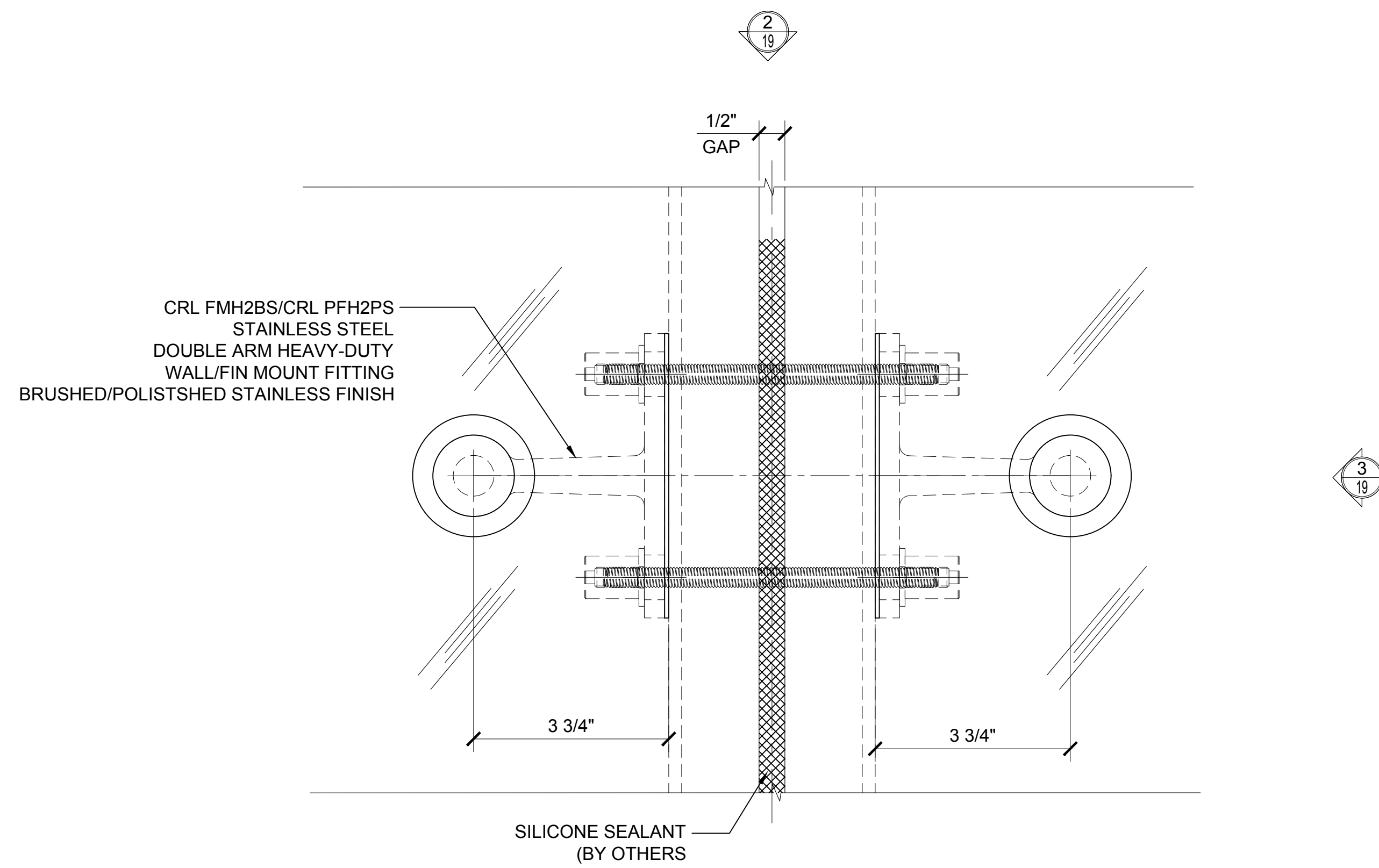
Revisions By:



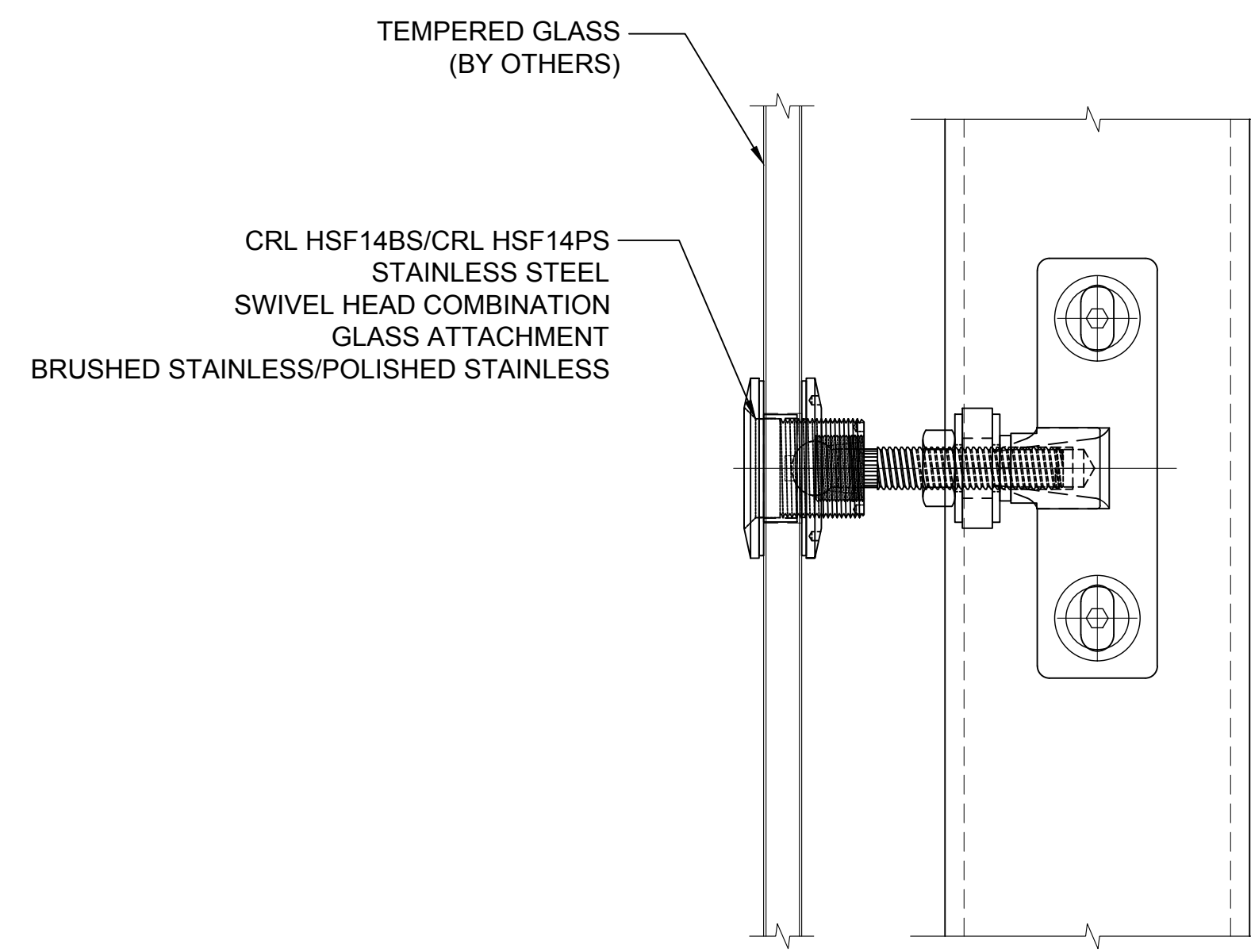
C.R. LAURENCE CO. ARCHITECTURAL PRODUCTS
 2503 E. Vernon Avenue, Los Angeles, CA 90058-1897
 PH (800)-421-6144 FX: 800-587-7301 www.crlaurence.com



② TOP VIEW
6"=1'-0"



① ELEVATION
6"=1'-0"



③ RIGHT SIDE
6"=1'-0"

ASSEMBLY - DOUBLE ARM HEAVY-DUTY WALL/FIN MOUNT FITTING FMH2

Revisions By:

CRL
US ALUMINUM
C.R. LAURENCE CO. ARCHITECTURAL PRODUCTS
2503 E. Vernon Avenue, Los Angeles, CA 90058-1897
PH: (800)-421-6144 FX: (800)-587-7301 www.crlaurence.com

Description:
CRL SPIDER FITTINGS

Drawn By: JRM
Date: 4/4/17
Scale: 6"=1'-0"
File Name:
Heavy Duty Spider Fittings.dwg
Sheet