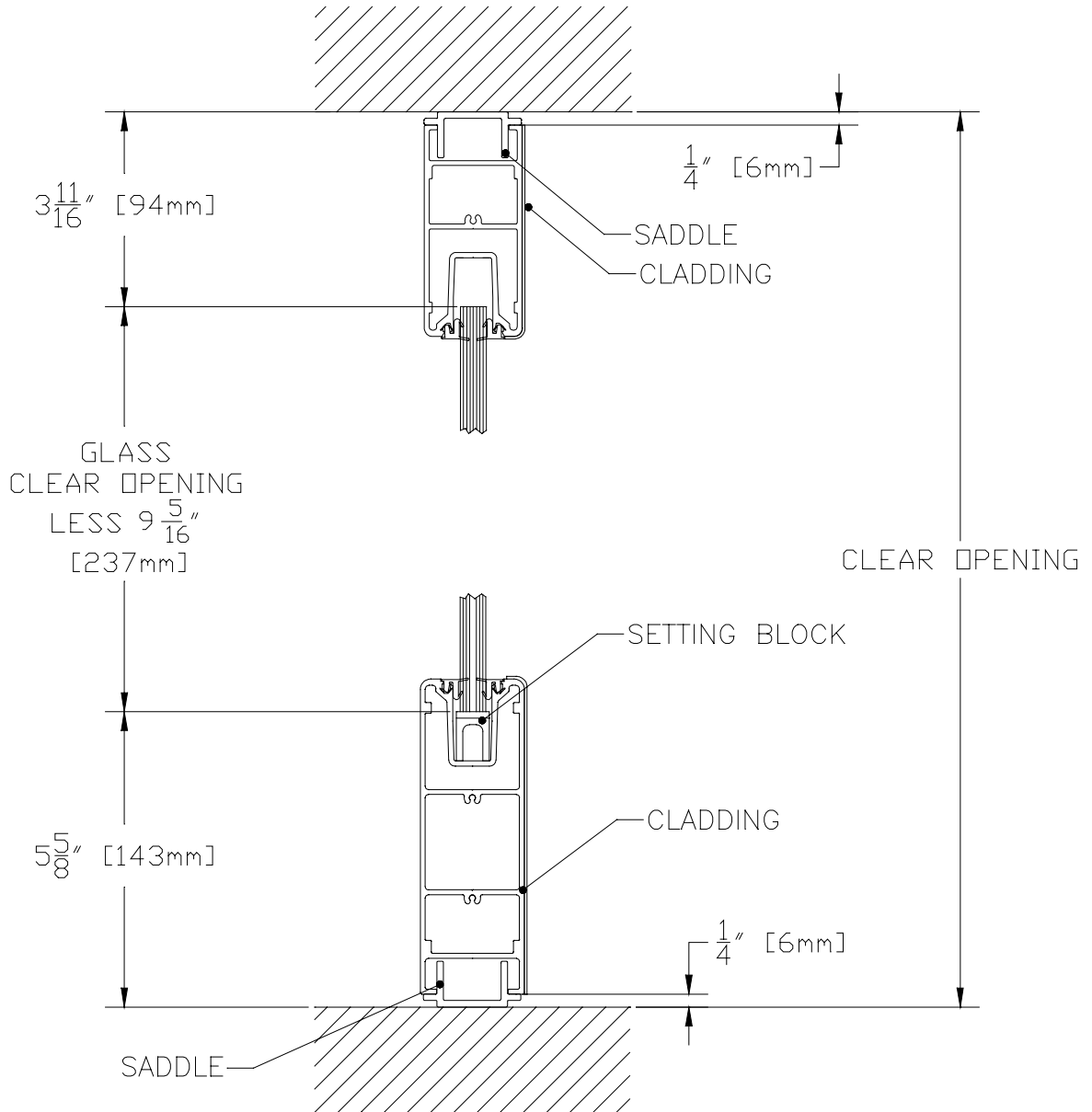


NOTE:

1. DIMENSIONS ARE THE SAME FOR CLAD AND NON CLAD U-CHANNEL AND RAIL
2. FOR 3/4" [19mm] SADDLE (TO MATCH 1/2" [13mm] THRESHOLD) REVERSE SADDLE. GLASS WILL BE CLEAR OPENING LESS 9-13/16" [250mm]



4" SQUARE SIDELITE RAIL WITH 1/4" SADDLE TOP
6" SQUARE SIDELITE RAIL WITH 1/4" SADDLE
AND SETTING BLOCK BOTTOM CLAD OR NON-CLAD

GAL DOOR RAIL SYSTEM

C.R. Laurence Architectural Products

Phone Orders (800) 421-6144

Fax Orders (800) 262-3299

WWW.CRLAURENCE.COM

Patent Pending

STYLE 32