

## GLASS CLAMPS

Glass-to-Glass Mount Movable Transom Clamp

CAT. NO. GCB188

**\*NOTE:** Do not exceed either maximum weight or width when choosing proper quantity of hinges.

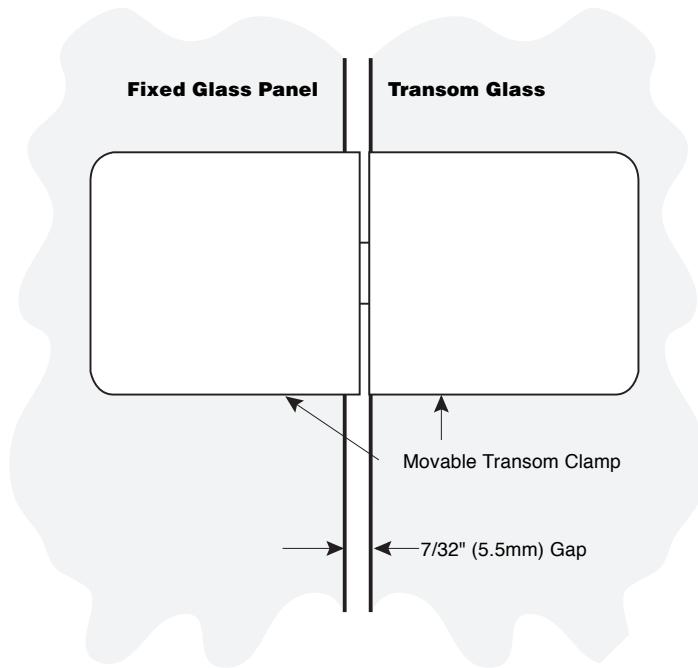
### Specifications:


Material:	Solid brass
Glass Thickness Range:	5/16" (8mm) to 1/2" (12mm)
Template Required:	5/8" (16mm) or 3/4" (19mm) hole for fixed panel, notch for transom
Includes:	Mounting screws and gaskets

**Template Shown on Next Page**

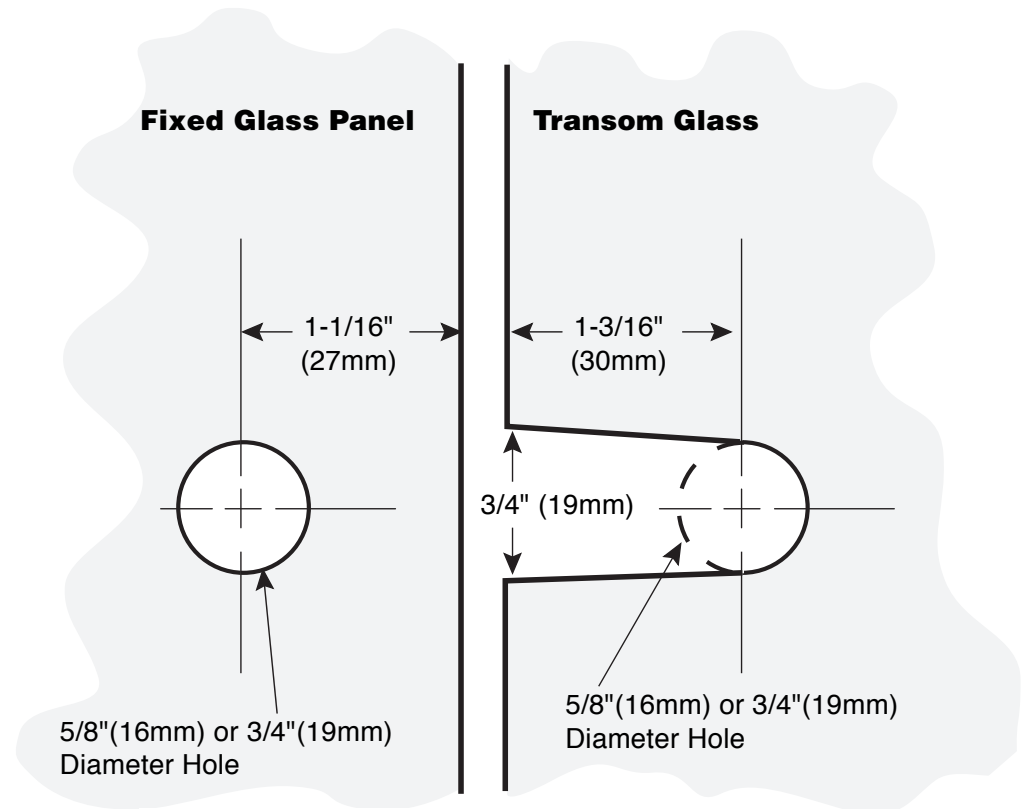
**IMPORTANT:** Project measurements from the edge of the glass.

## TYPICAL INSTALLATION



 ALWAYS USE DIMENSIONS TO ENSURE ACCURACY

## TEMPLATE FOR WALL TO MOVABLE TRANSOM GLASS



## GLASS CLAMPS

Glass-to-Glass Mount Movable Transom Clamp

CAT. NO. GCB188