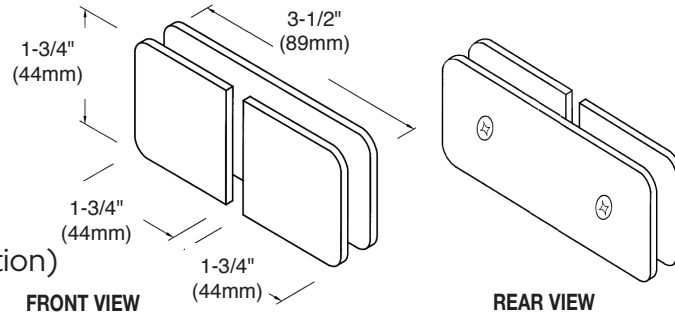




GLASS CLAMPS

180° Split Face
(Glass-to-Glass Application)

CAT. NO. GCB182



Note: The GCB182 and M0682 Clamp shown on this page can also be used in a wall-to-glass "Y" inline application. For information on this see pages 4T-23 and 4T-24.

Specifications:

Material:	Solid brass
Glass Thickness Range:	5/16" (8mm) to 1/2" (12mm)
Hole Size Required:	5/8" (16mm) or 3/4" (19mm)
Includes:	Mounting screws and gaskets

Template Shown on Next Page

***NOTE:** Do not exceed either maximum weight or width when choosing proper quantity of hinges.

***NOTE:** Do not exceed either maximum weight or width when choosing proper quantity of hinges.

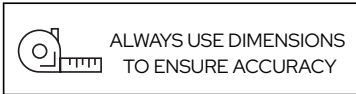
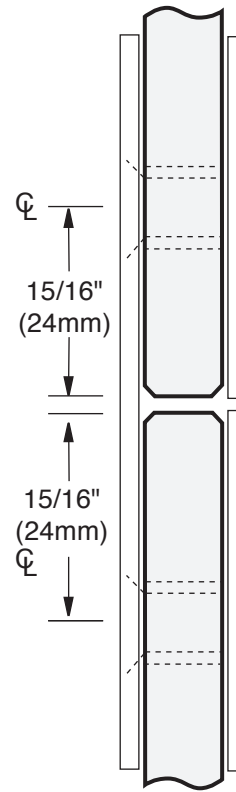
For Technical Assistance in the United States and Canada 1.800.421.6144. Press 2, then option 1

C.R. Laurence Co., Inc. • 2503 E. Vernon Ave., Los Angeles, CA 90058 • 1.800.421.6144 • crlaurence.com

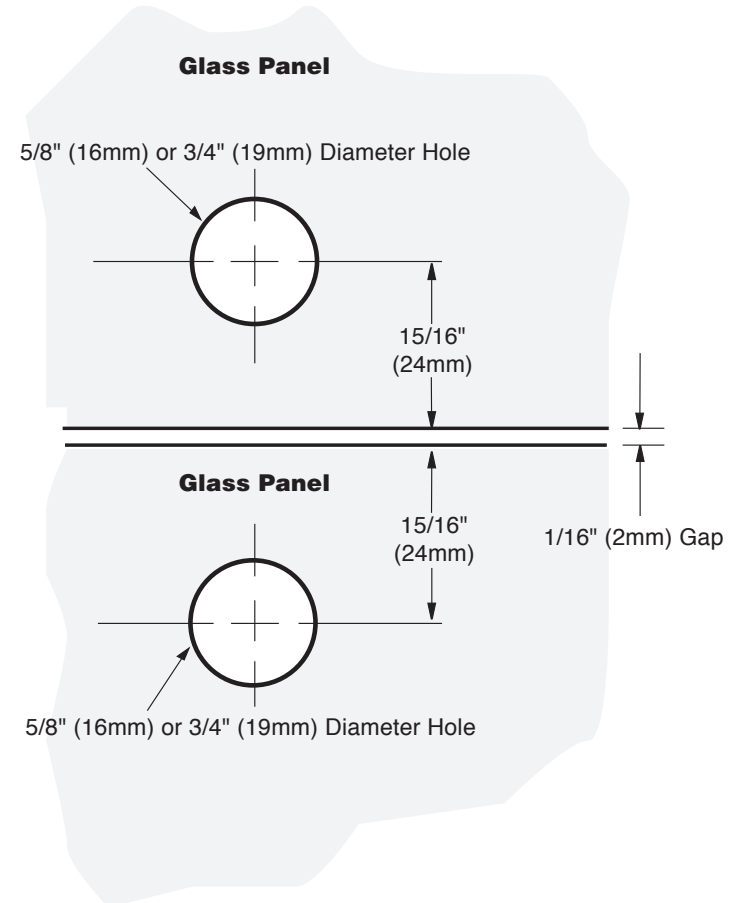
IMPORTANT: Project measurements from the edge of the glass.

Note: The Clamp shown on this page can also be used in a wall-to-glass "Y" inline application. For information on this see pages 4T-23 and 4T-24.

TYPICAL INSTALLATION



TEMPLATE FOR WALL TO MOVABLE TRANSOM GLASS



GLASS CLAMPS (Glass-to-Glass Application)

180° Split Face

CAT. NO. GCB182