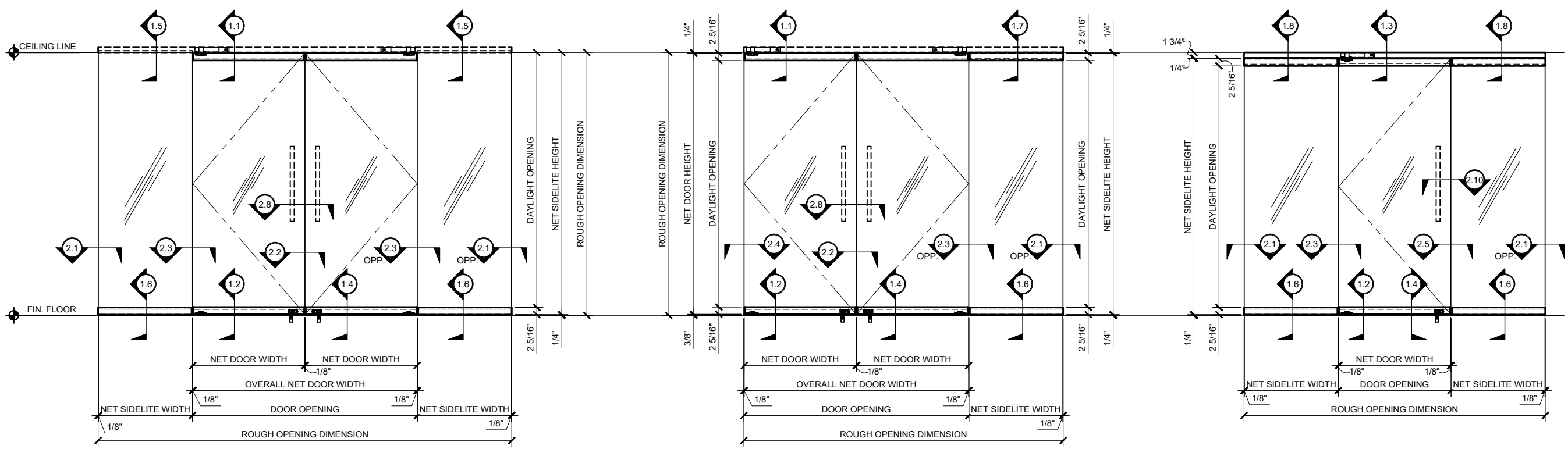


Revisions By:

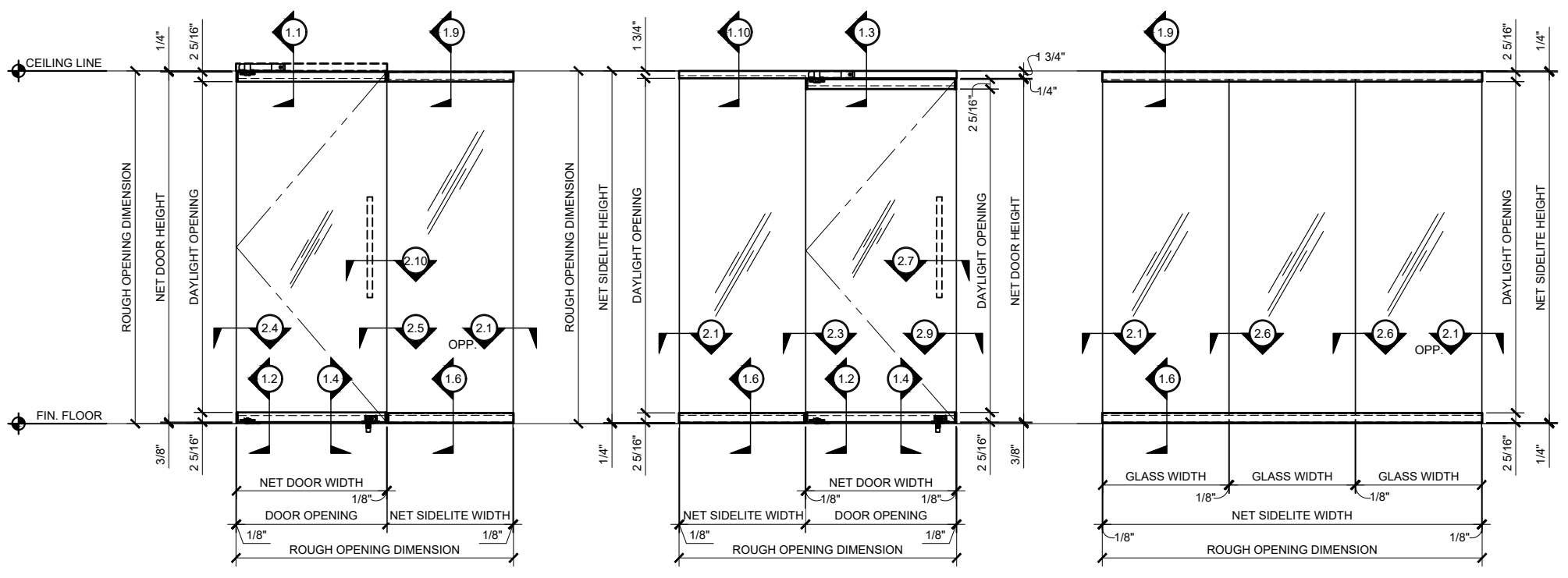

# CRL

2909 E. Vernon Avenue, Los Angeles, CA 90058-1887  
 PH: (800)-421-6144 FX: 800-597-7501 www.crlaurence.com

Description:  
 CRL CLEAR VIEW  
 GLASS WALL  
 OFFICE SYSTEM



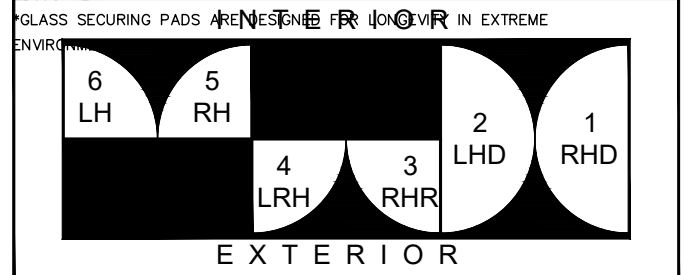
TYPICAL CLEAR VIEW GLASS ELEVATIONS



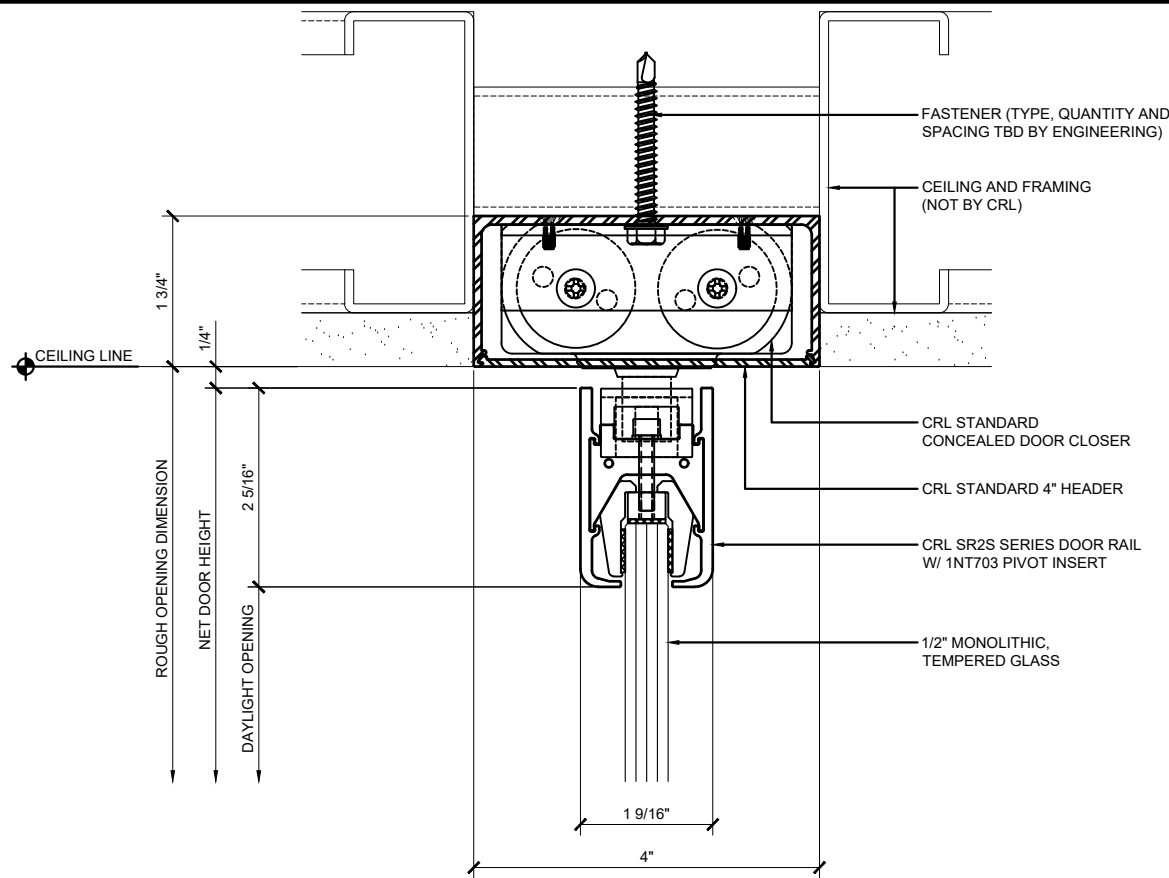
TYPICAL CLEAR VIEW GLASS ELEVATIONS

STANDARD "CLEAR VIEW GLASS" DOOR (HEIGHT) GUIDELINES  
 3/8" (10mm) TEMPERED GLASS = 84" RECOMMENDED MAX HEIGHT  
 1/2" (12mm) TEMPERED GLASS = 108" RECOMMENDED MAX HEIGHT

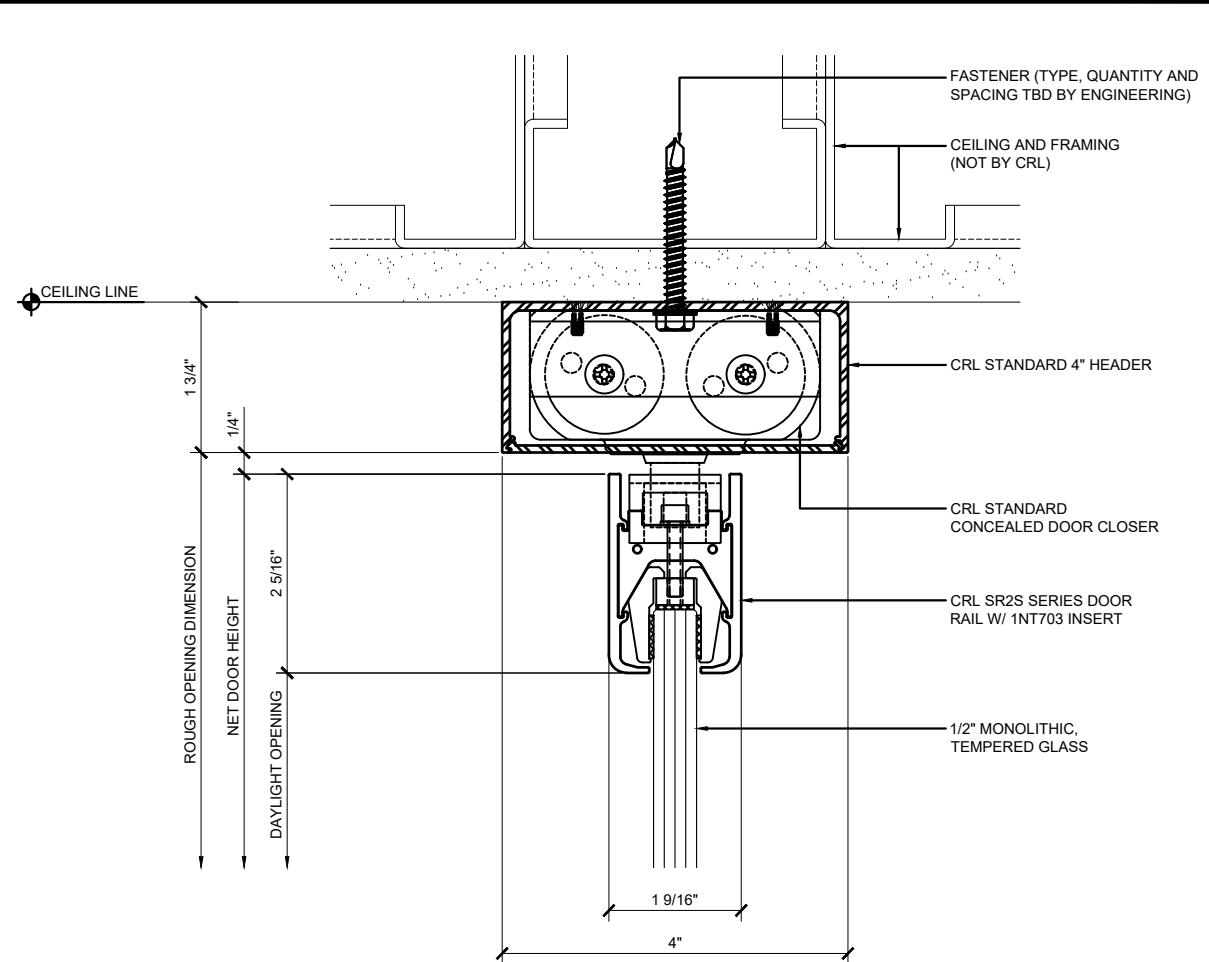
- \* EXCLUSIVE CRL "CLEAR VIEW GLASS" GLASS SECURING SYSTEM FOR RAPID INSTALLATION AND STEADFAST HOLDING POWER
- \* DOOR ASSEMBLY CAN BE READY FOR INSTALLATION IN LESS THAN 10 MINUTES
- \* UNIVERSAL TOP AND BOTTOM RAILS CUT INVENTORY AND MAKE ORDERING EASIER
- \* DRY GLAZING ALLOWS FOR FIELD REPLACEMENT
- \* ALLOWS JAMB ALIGNMENT WITHOUT REMOVING THE DOOR
- \* INTERNAL COMPONENTS DO NOT REQUIRE REMOVAL BEFORE INSTALLATION
- \* RIGID SINGLE COMPONENT DESIGN FALLS OUT OF ADJUSTMENT



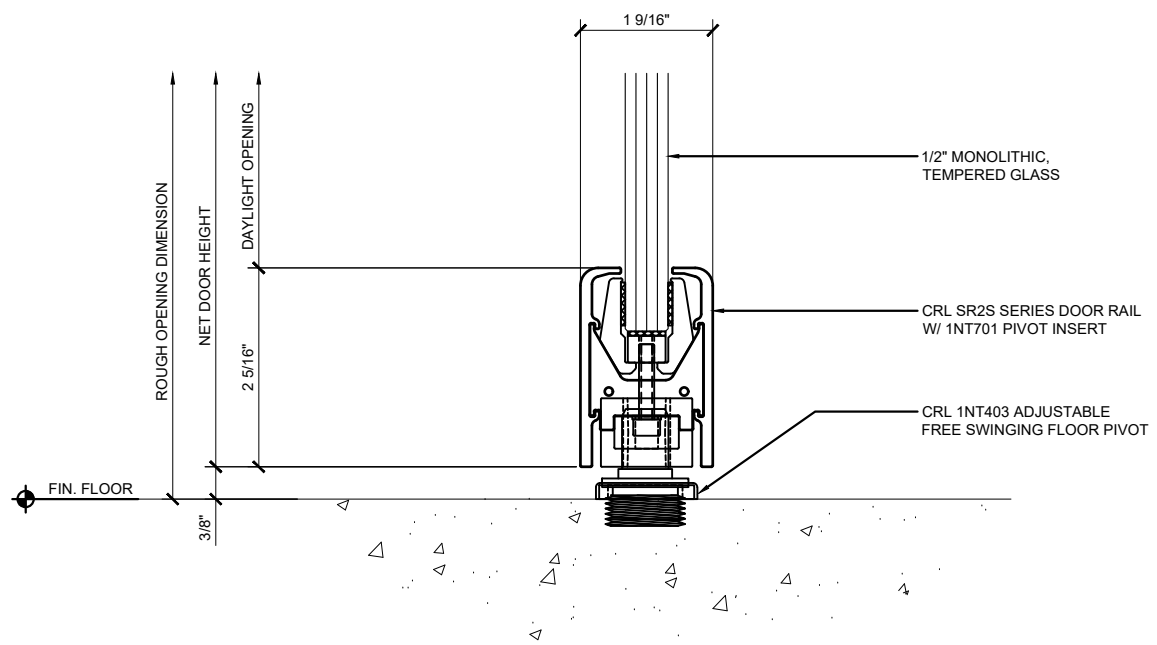
Drawn By: JG  
 Date: 11/25/2014  
 Scale: 3/4" = 1'-0"  
 File Name: CRL CLEAR VIEW GLASS WALL OFFICE SYSTEM.dwg



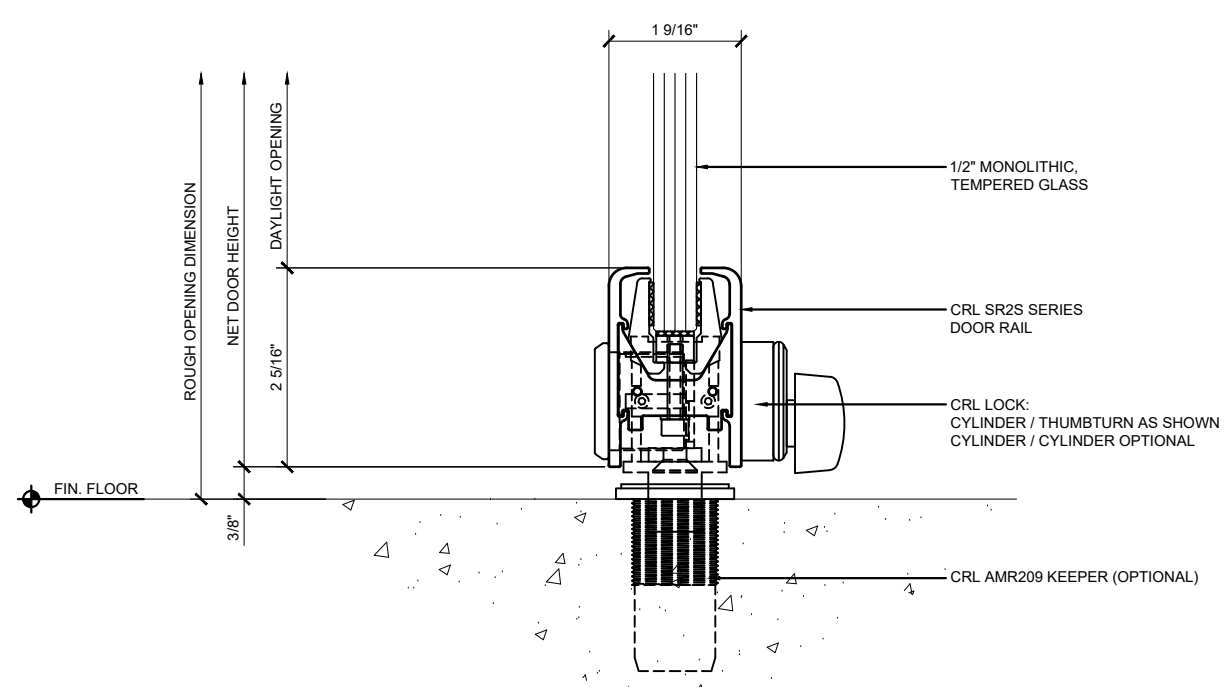
**DOOR HEAD AT RECESSED HEADER** (1.1)



**DOOR HEAD AT EXPOSED HEADER** (1.3)



**DOOR SILL AT PIVOT** (1.2)



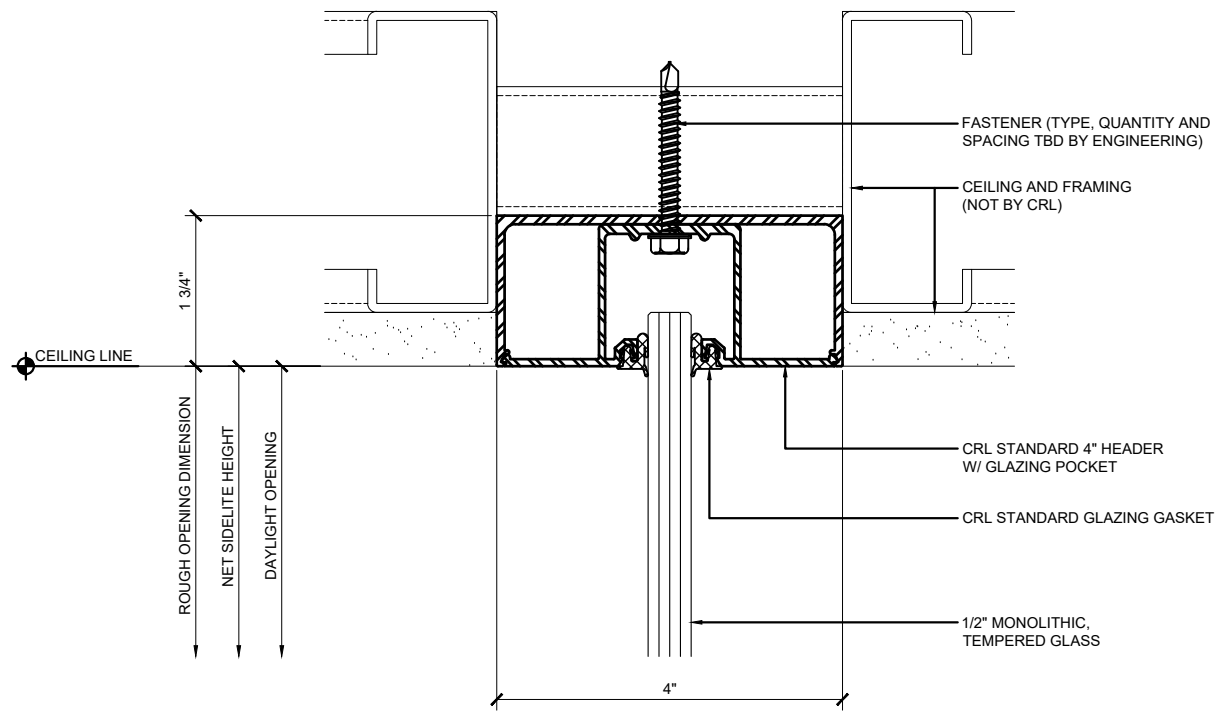
**DOOR SILL AT LOCK** (1.4)

Revisions By:

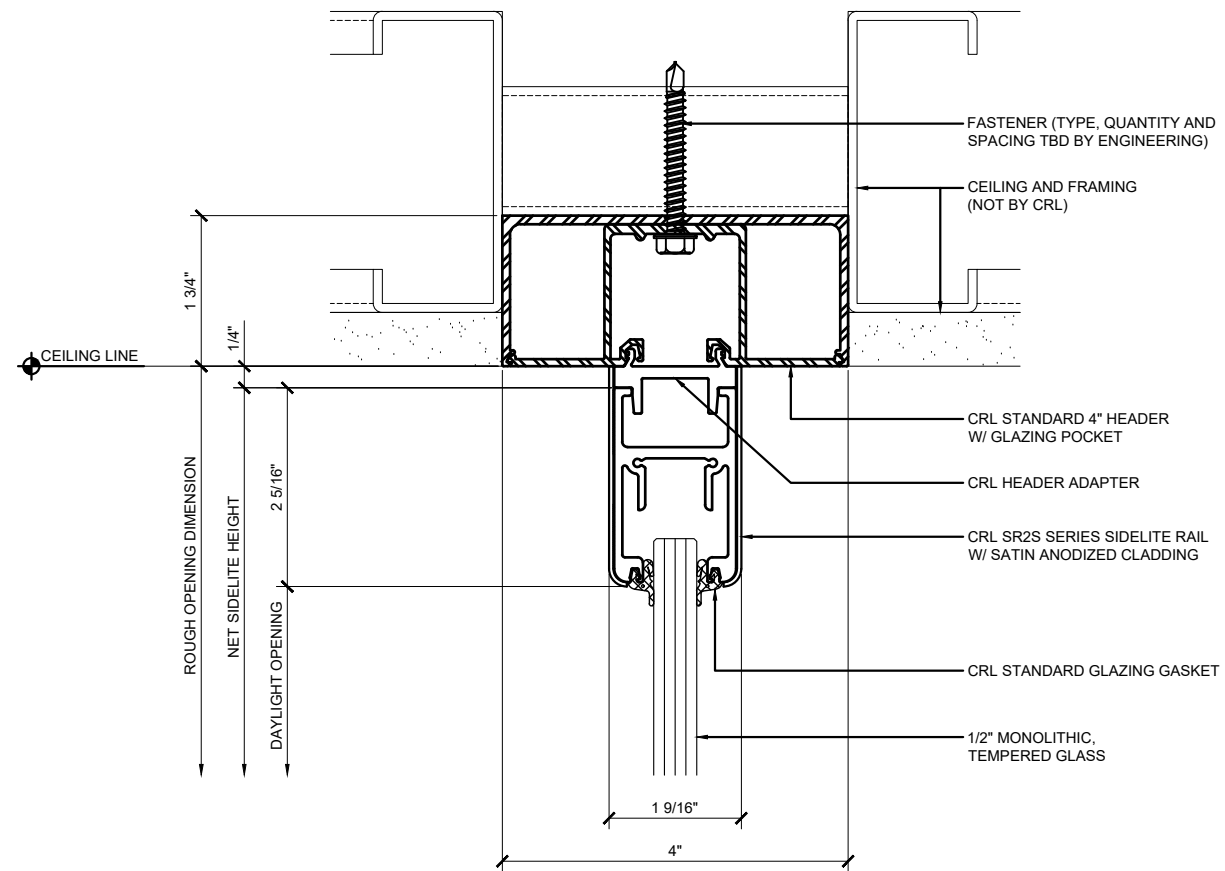



Description:  
**CRL CLEAR VIEW  
 GLASS WALL  
 OFFICE SYSTEM**

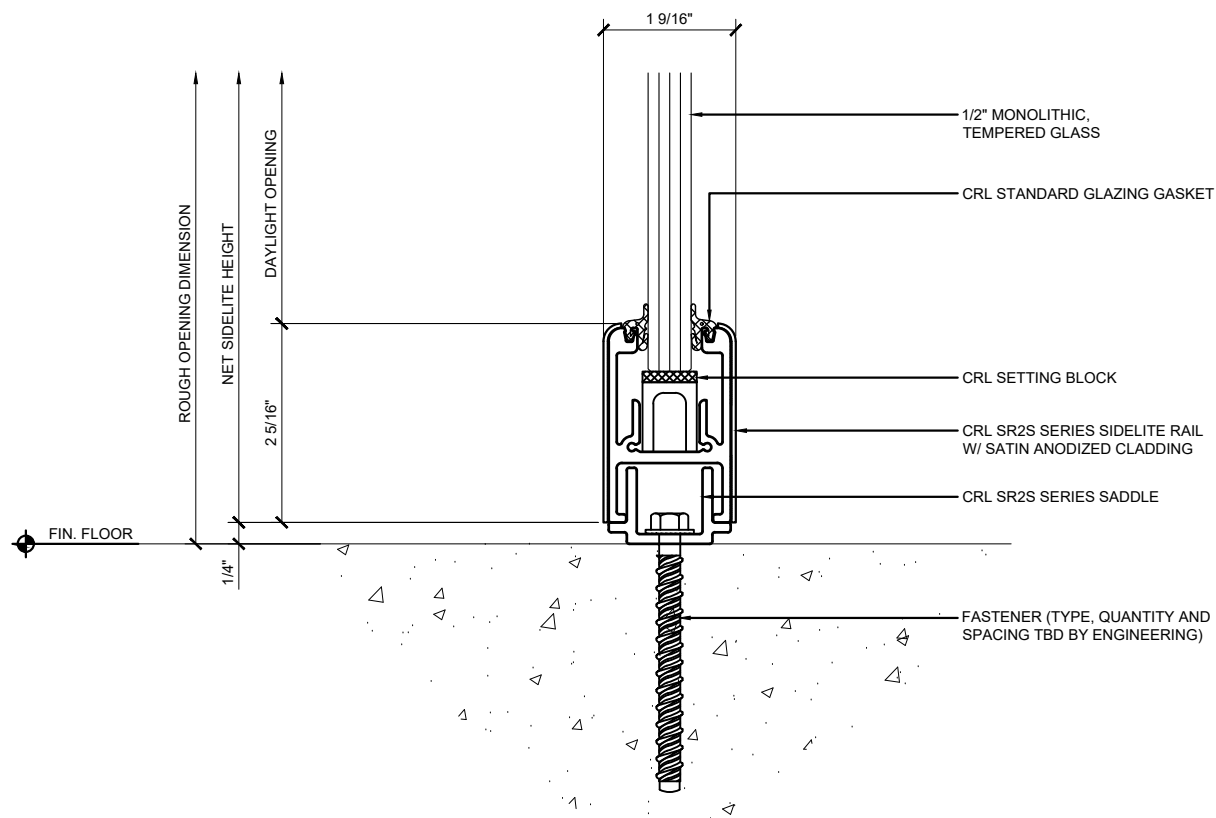
Drawn By: JG  
 Date: 11/25/2014  
 Scale: 1'-0" = 1'-0"  
 File Name:  
 CRL CLEAR VIEW GLASS WALL OFFICE SYSTEM.dwg



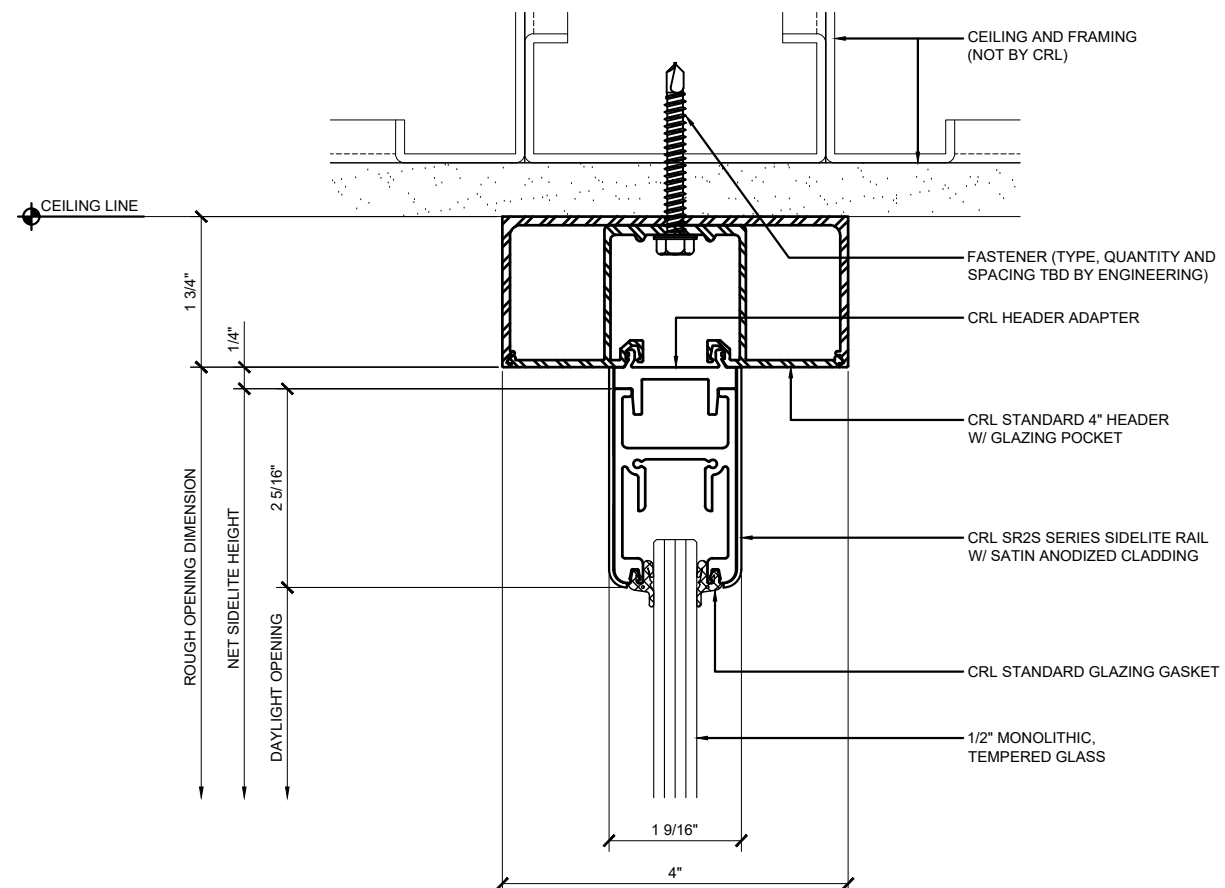
**SIDELITE HEAD AT RECESSED HEADER** (1.5)



**SIDELITE HEAD AT RECESSED HEADER W/ RAIL** (1.7)



**TYPICAL SIDELITE SILL** (1.6)



**SIDELITE HEAD AT EXPOSED HEADER W/ RAIL** (1.8)

Revisions By:

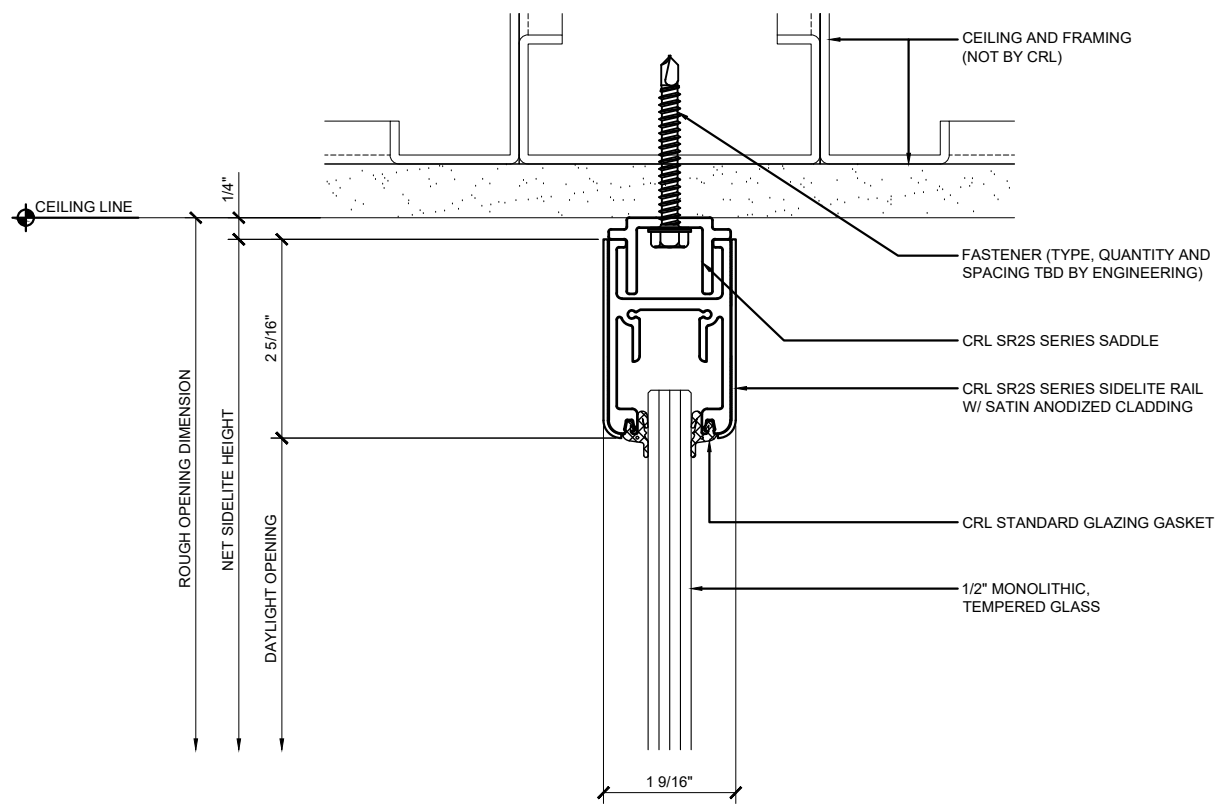
**CRL.**

2908 E. Vernon Avenue, Los Angeles, CA 90058-1897  
PH: (800)-421-6144 FX: 800-597-7501 www.crlaerose.com

Description:  
CRL CLEAR VIEW  
GLASS WALL  
OFFICE SYSTEM

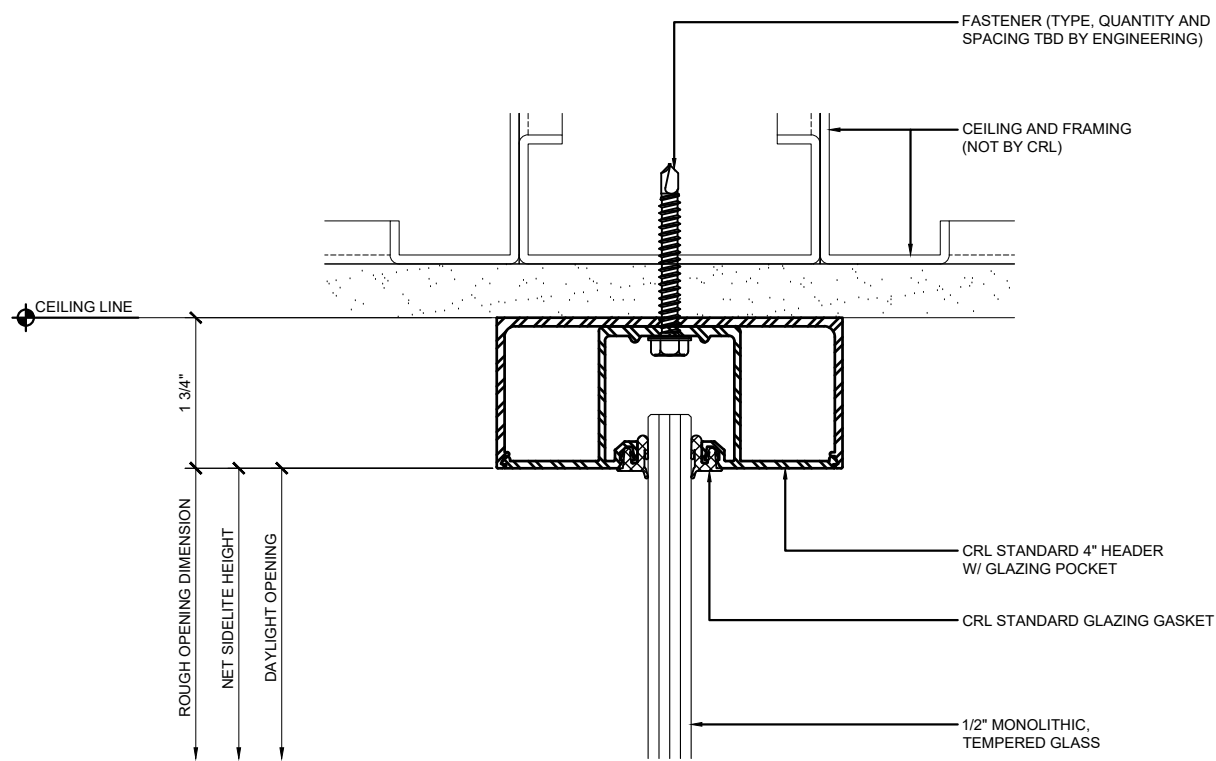
Drawn By: JG  
Date: 11/25/2014  
Scale: 1'-0" = 1'-0"  
File Name:  
CRL CLEAR VIEW GLASS WALL OFFICE SYSTEM.dwg

Sheet  
**3**



**SIDELITE HEAD AT CEILING**

1.9



**SIDELITE HEAD AT EXPOSED HEADER**

1.10

Revisions By:

**CRL.**

2908 E. Vernon Avenue, Los Angeles, CA 90058-1887  
PH: (800)-421-6144 FX: (800)-597-7501 www.crlaurence.com

Description:

CRL CLEAR VIEW  
GLASS WALL  
OFFICE SYSTEM

Drawn By: JG

Date: 11/25/2014

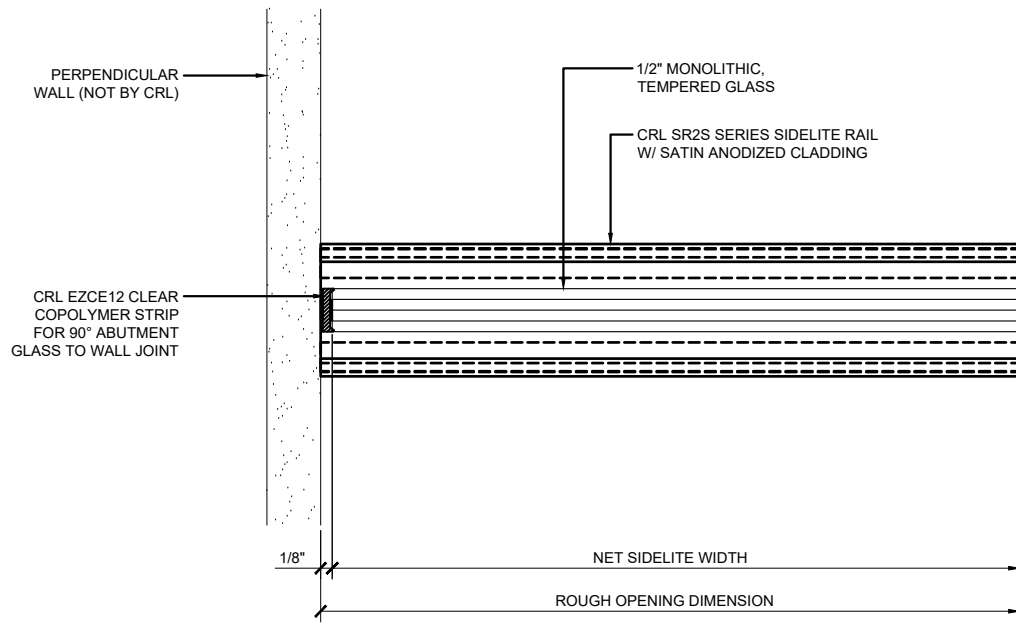
Scale: 1'-0" = 1'-0"

File Name:

CRL CLEAR VIEW GLASS WALL OFFICE SYSTEM.dwg

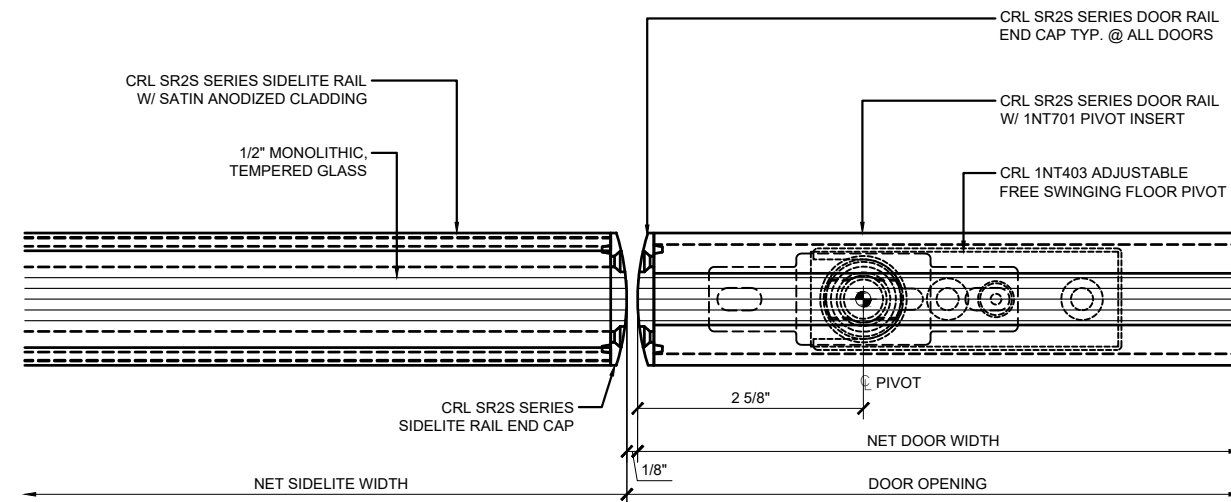
Sheet

4



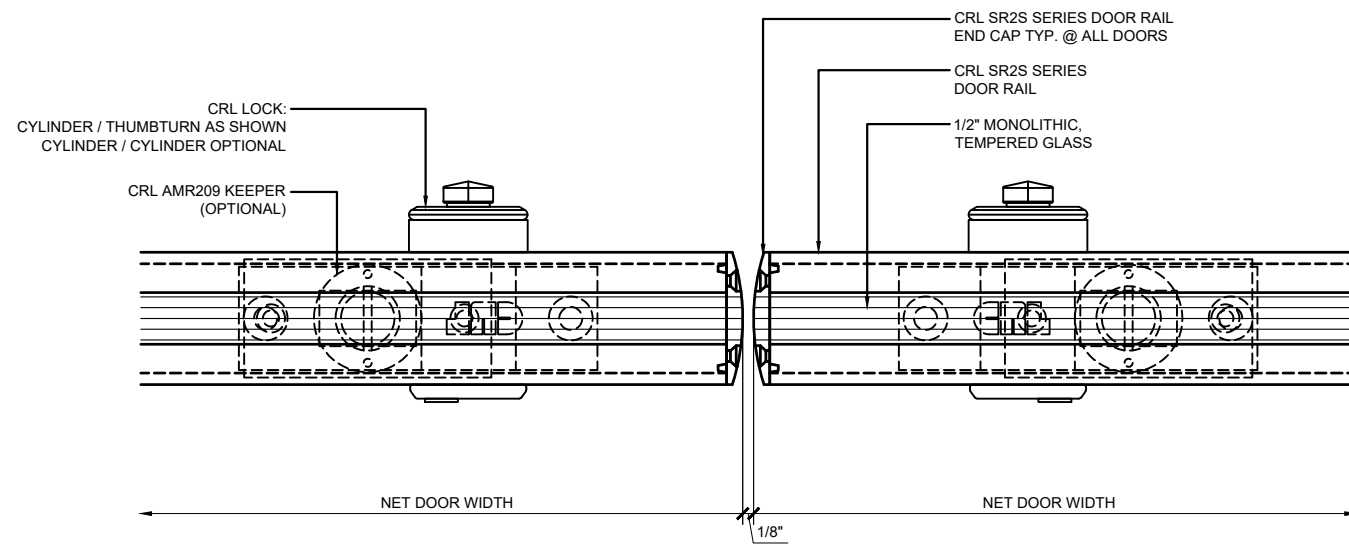
SIDELITE AT WALL

2.1



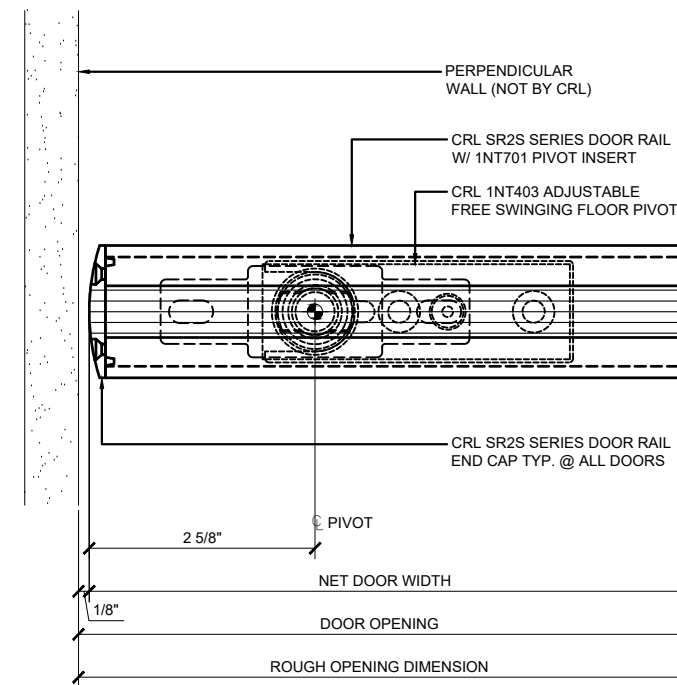
DOOR JAMB AT SIDELITE

2.3



DOOR JAMB AT DOOR JAMB

2.2



DOOR JAMB AT WALL

2.4

Revisions By:

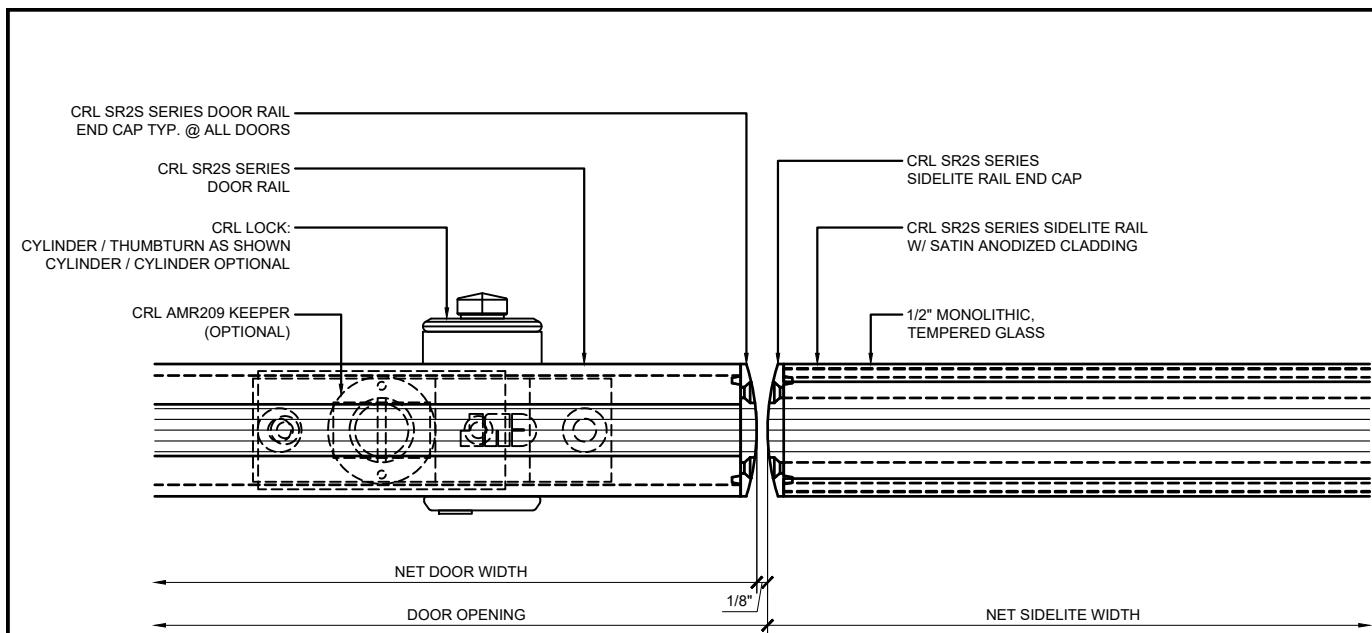
**CRL**

2909 E. Vernon Avenue, Los Angeles, CA 90058-1897  
PH: (800)-421-6144 FX: (800)-597-7501 www.crlaerose.com

Description:  
CRL CLEAR VIEW  
GLASS WALL  
OFFICE SYSTEM

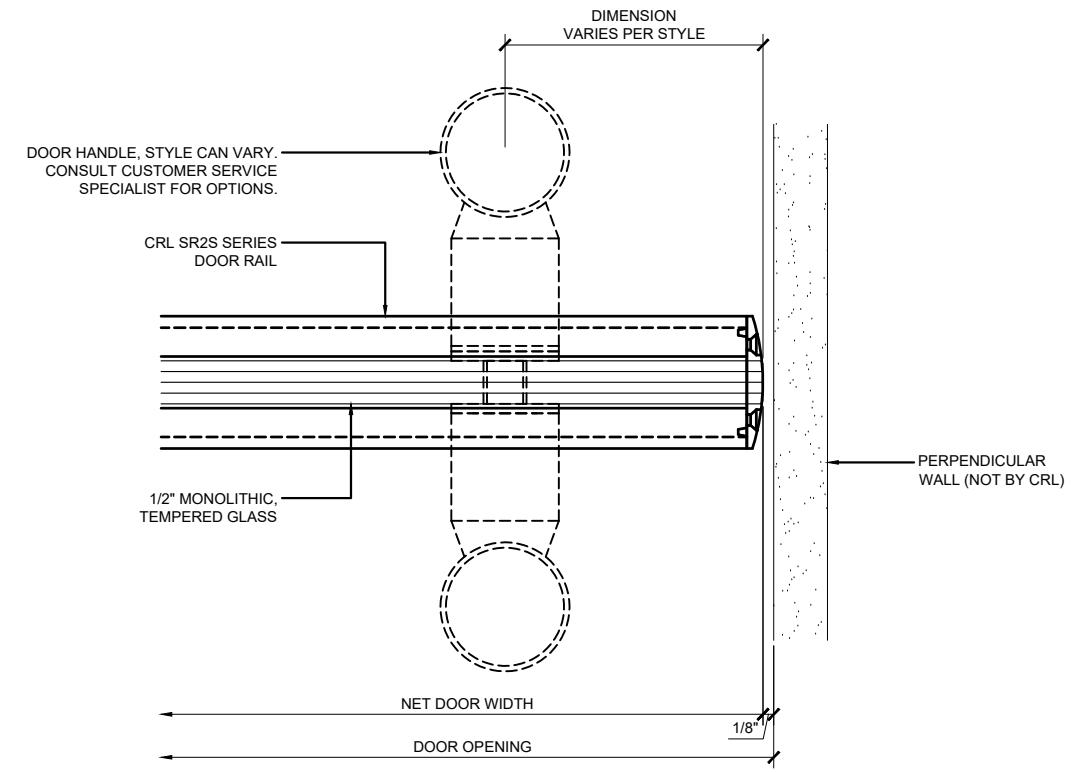
Drawn By: JG  
Date: 11/25/2014  
Scale: 1'-0" = 1'-0"  
File Name: CRL CLEAR VIEW GLASS WALL OFFICE SYSTEM.dwg

Sheet  
**5**



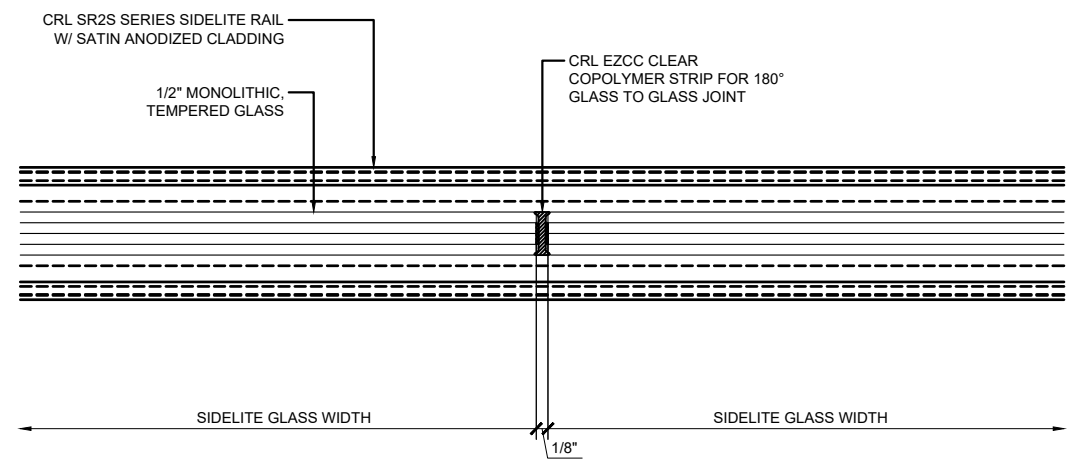
DOOR JAMB AT SIDELITE

2.5



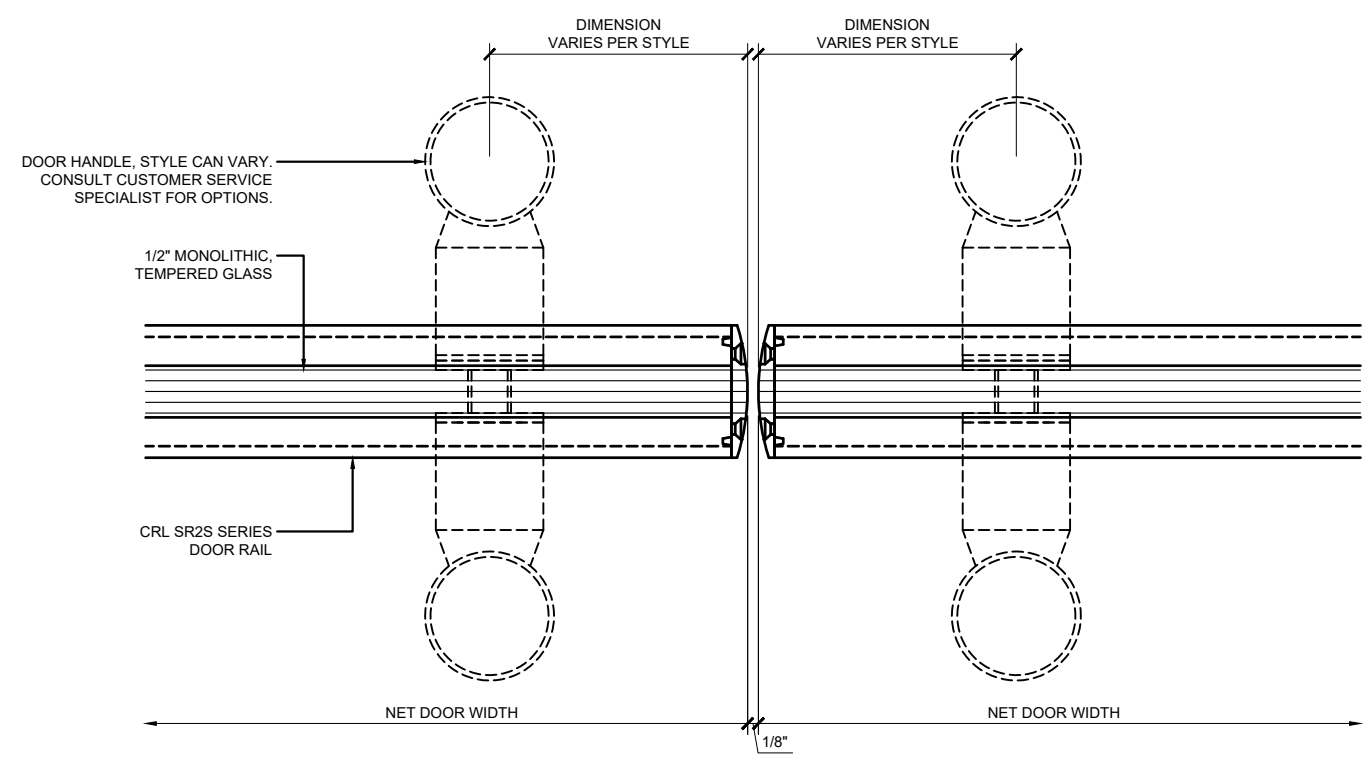
DOOR JAMB AT WALL

2.7



TYPICAL SIDELITE GLASS JOINT

2.6



DOOR JAMB AT DOOR JAMB

2.8

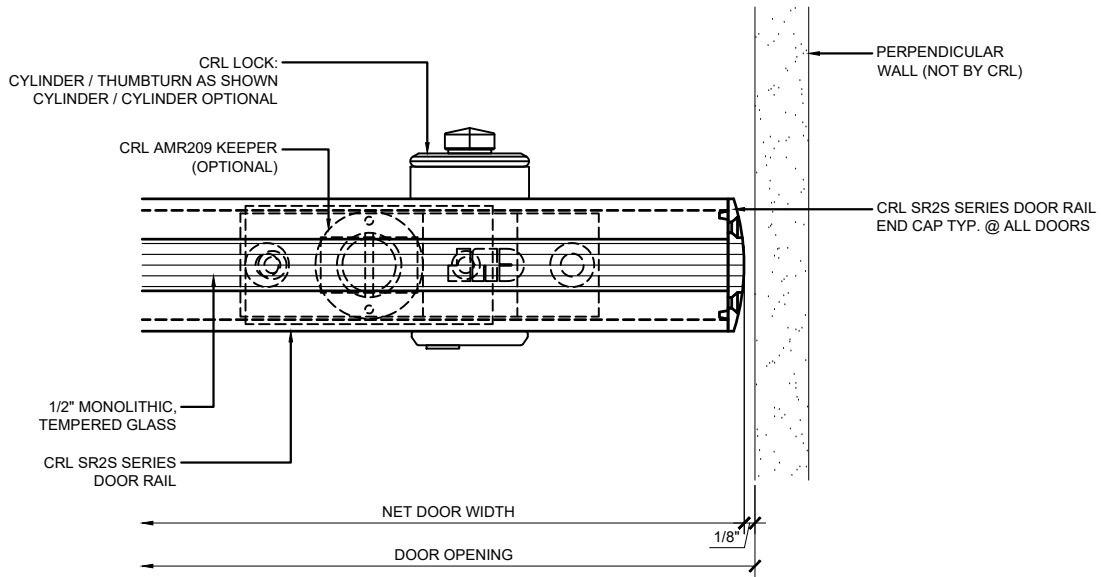
Revisions By:


**CRL.**

2909 E. Vernon Avenue, Los Angeles, CA 90058-1897  
 PH: (800)-421-6144 FX: 800-597-7501 www.crlaerose.com

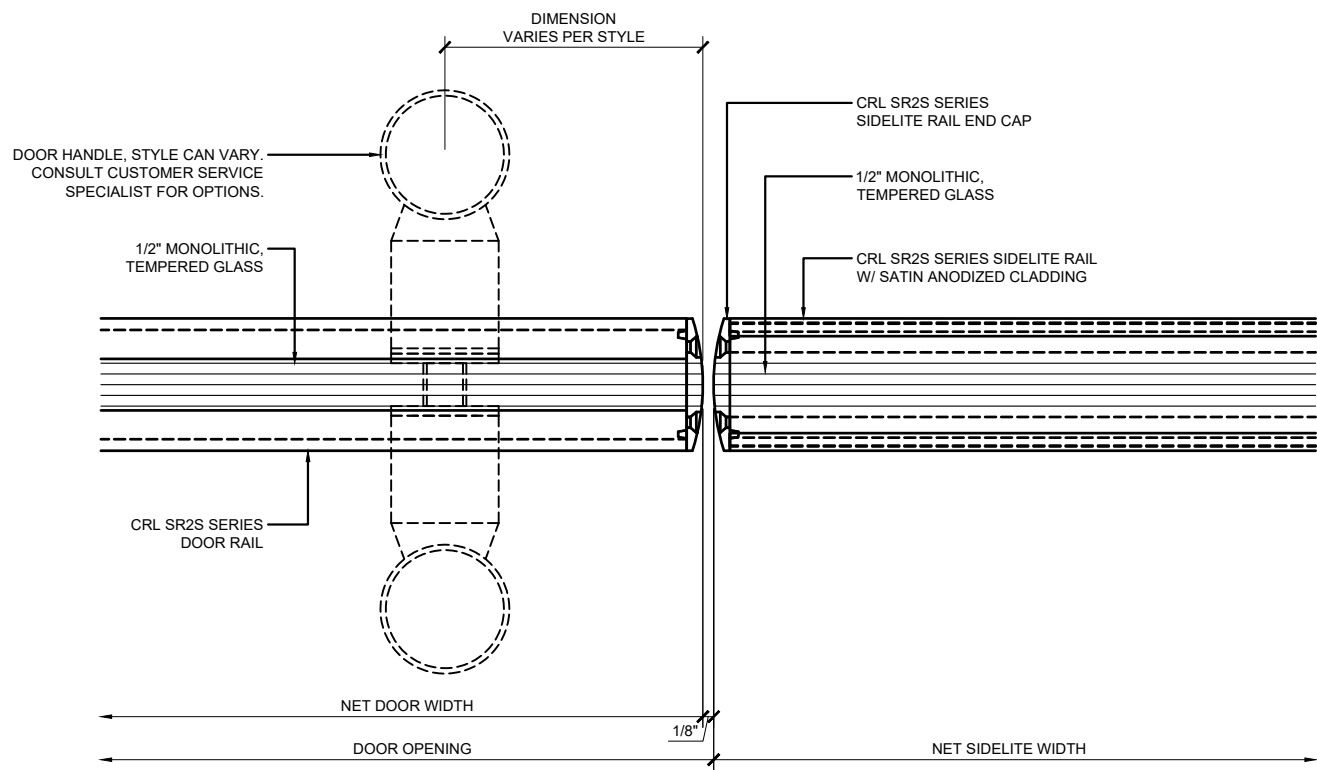
Description:  
 CRL CLEAR VIEW  
 GLASS WALL  
 OFFICE SYSTEM

Drawn By: JG  
 Date: 11/25/2014  
 Scale: 1'-0" = 1'-0"  
 File Name:  
 CRL CLEAR VIEW GLASS WALL OFFICE SYSTEM.dwg



**DOOR JAMB AT WALL**

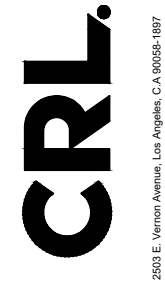
2.9



**DOOR JAMB AT SIDELITE**

2.10

Revisions By:



Description:  
**CRL CLEAR VIEW  
 GLASS WALL  
 OFFICE SYSTEM**

Drawn By: JG  
 Date: 11/25/2014  
 Scale: 1'-0" = 1'-0"  
 File Name:  
 CRL CLEAR VIEW GLASS WALL OFFICE SYSTEM.dwg

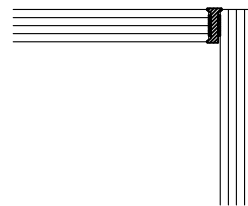
Revisions By:


# CRL.

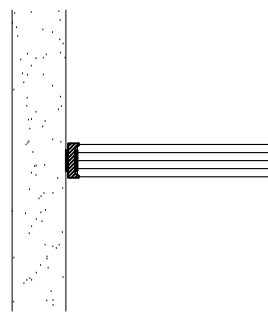
2500 E. Vernon Avenue, Los Angeles, CA 90058-1897  
PH: (800)-421-6144 FX: (800)-597-7501 www.crlaurence.com



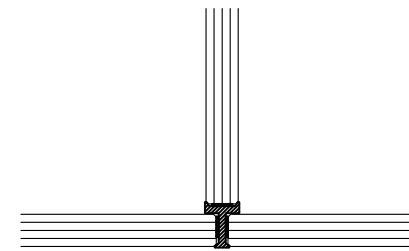
EZCC10 - CRL CLEAR COPOLYMER STRIP FOR 180° GLASS-TO-GLASS JOINT



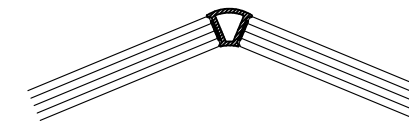
EZCL10 - CRL CLEAR COPOLYMER STRIP FOR 90° GLASS-TO-GLASS JOINT



EZCE10 - CRL CLEAR COPOLYMER STRIP FOR 90° ABUTMENT TO WALL



EZCT10 - CRL CLEAR COPOLYMER STRIP FOR T-JOINT JUNCTIONS WHERE 3 GLASS PANELS MEET

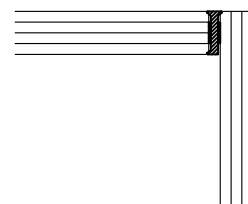


EZCA10 - CRL CLEAR COPOLYMER STRIP FOR 135° GLASS-TO-GLASS JOINT

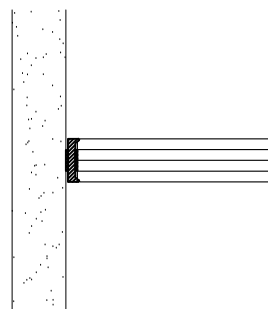
### CLEAR COPOLYMER STRIP FOR GLASS-TO-GLASS JOINT FOR 3/8" (10mm) MONOLITHIC, TEMPERED GLASS



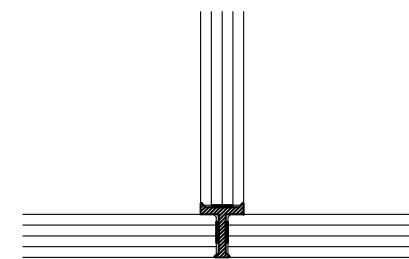
EZCC12 - CRL CLEAR COPOLYMER STRIP FOR 180° GLASS-TO-GLASS JOINT



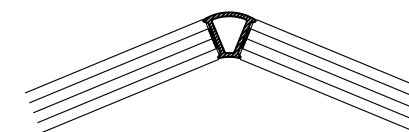
EZCL12 - CRL CLEAR COPOLYMER STRIP FOR 90° GLASS-TO-GLASS JOINT



EZCE12 - CRL CLEAR COPOLYMER STRIP FOR 90° ABUTMENT TO WALL



EZCT12 - CRL CLEAR COPOLYMER STRIP FOR T-JOINT JUNCTIONS WHERE 3 GLASS PANELS MEET



EZCA12 - CRL CLEAR COPOLYMER STRIP FOR 135° GLASS-TO-GLASS JOINT

### CLEAR COPOLYMER STRIP FOR GLASS-TO-GLASS JOINT FOR 1/2" (12mm) MONOLITHIC, TEMPERED GLASS

Description:  
CRL CLEAR VIEW  
GLASS WALL  
OFFICE SYSTEM

Drawn By: JG

Date: 11/25/2014

Scale: 1'-0" = 1'-0"

File Name:

CRL CLEAR VIEW GLASS WALL OFFICE SYSTEM.dwg

Sheet

8