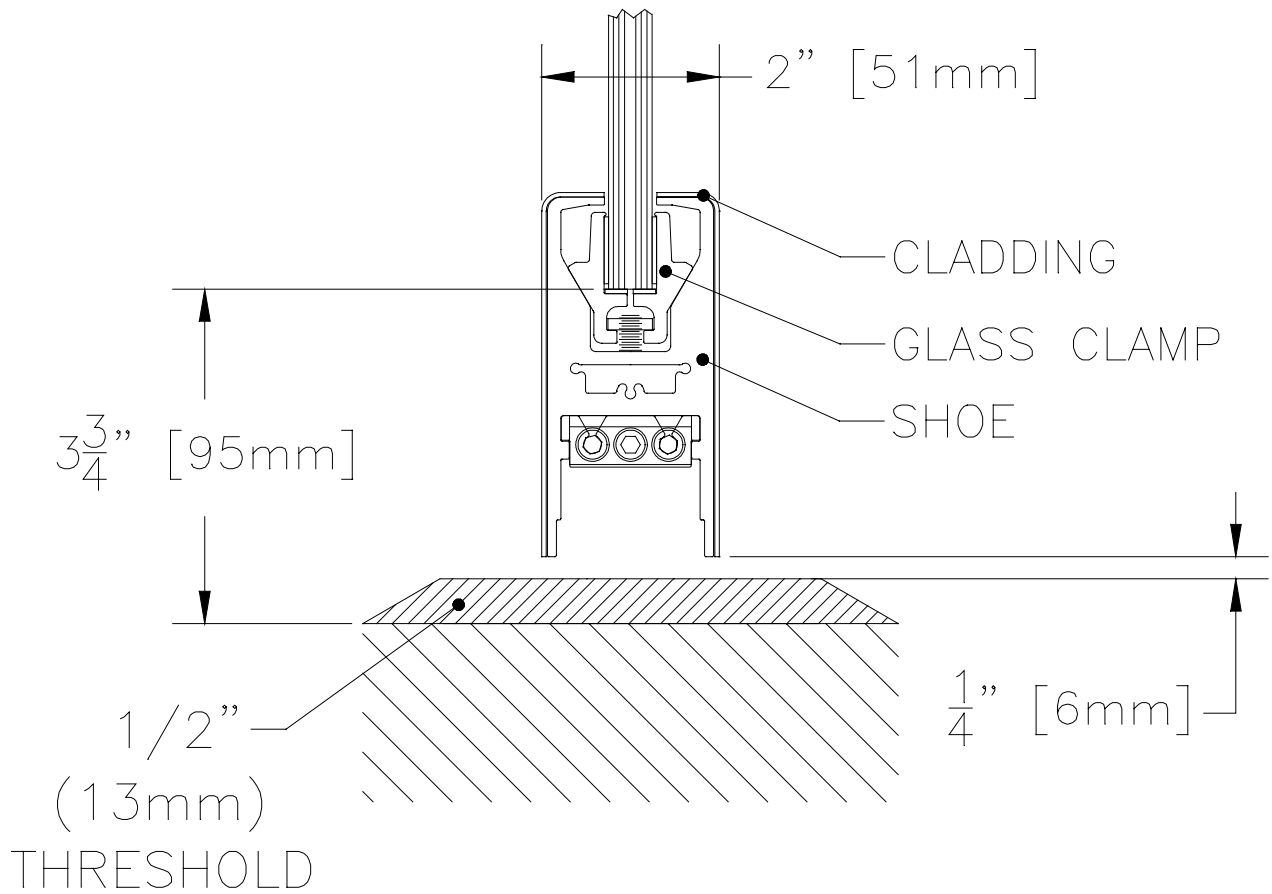


CLAD



4" SQUARE DOOR RAIL CLAD
WITH THRESHOLD

CRL DOOR RAIL SYSTEM

C.R. Laurence Architectural Products

Phone Orders (800) 421-6144

Fax Orders (800) 262-3299

WWW.CRLAURENCE.COM

Patent Pending

4SDRCTH