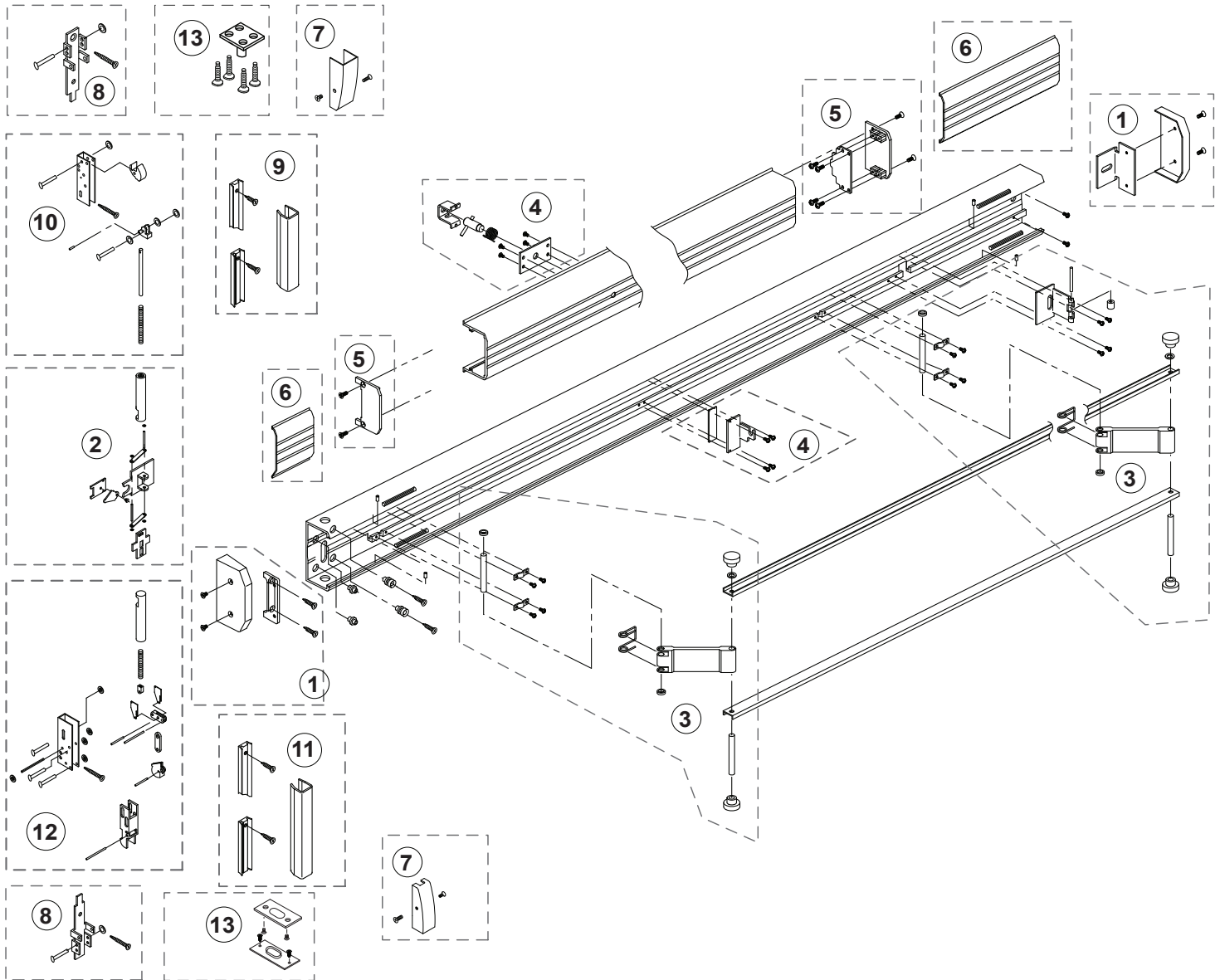


PACKAGED PARTS AVAILABLE



Assem. No.	Part No.	Description	Assem. No.	Part No.	Description
1	302652	Base End Cap Package	9	3028528	Top Rod Cover Assembly - 8/0
2	302741ASM	Cruciform Activation Assembly	9	3028529	Top Rod Cover Assembly - 9/0
3	302664	Control Arm Hardware Package	10	3028477	Upper Rod and Latch Assembly - 7'
4	302670	Dogging Assembly	10	3028478	Upper Rod and Latch Assembly - 8'
5	302650	Push-Pad End Cap Package	10	3028479	Upper Rod and Latch Assembly - 9'
6	302674	Base Cover Plate -Ribbed - 3/0	11	302856	Bottom Rod Cover Assembly
6	30267448	Base Cover Plate -Ribbed - 4/0	12	302854	Bottom Rod and Latch Assembly
6	302674S	Base Cover Plate -Smooth - 3/0	13	302113	Upper and Bottom Strike Package
7	302841	Latch Covers (Upper and Bottom)			
8	301856	Latch Bracket Package			
9	3028527	Top Rod Cover Assembly - 7/0			