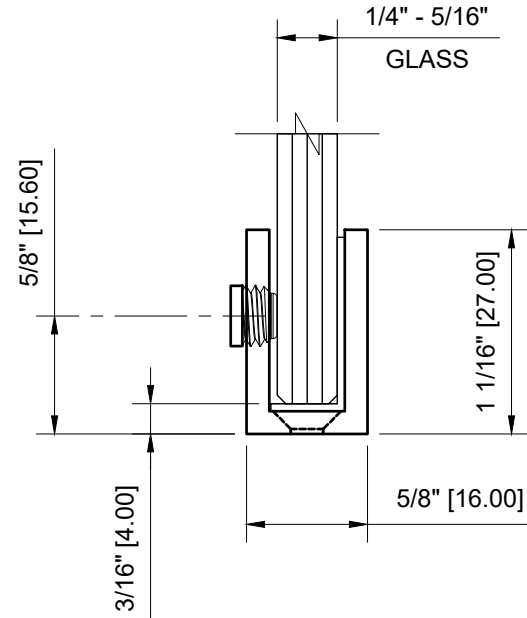
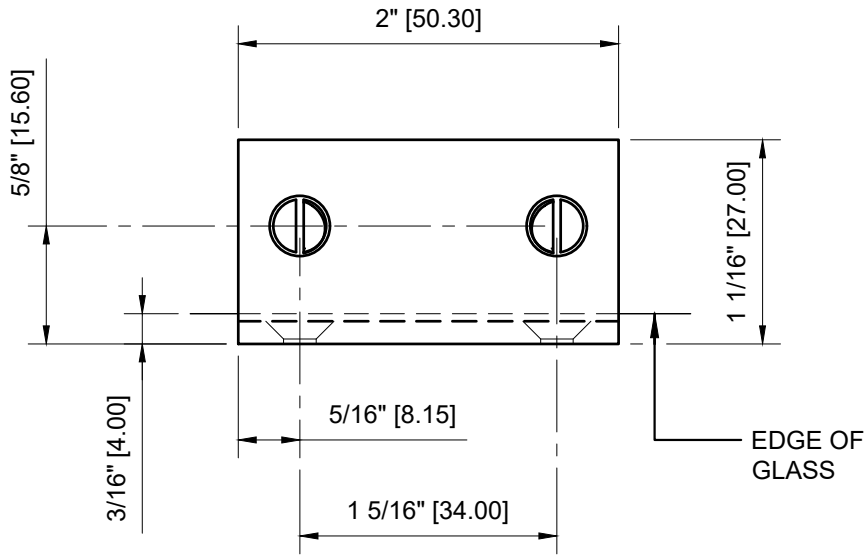
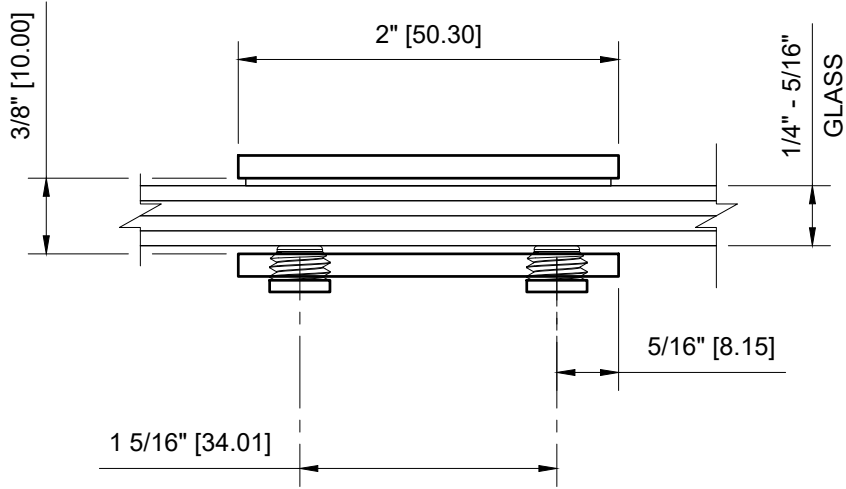


1/4" (6mm) GLASS:
 5/16" (8mm) GLASS:



CRL EH38 - CHROME LONG SET SCREW CLAMP
RECTANGULAR SHELF CLAMPS FOR 1/4" TO 5/16" GLASS

DATE: 3-19-2020
 SCALE: 1'-0"=1'-0"
 DRAWN BY: VM

DESCRIPTION: CRL - EH38 CHROME
 RECTANGULAR SHELF LONG SET SCREW CLAMP

C.R. LAURENCE CO. ARCHITECTURAL PRODUCTS
 2503 E. Vernon Avenue, Los Angeles, CA 90058-1897
 PH (800)-421-6144 FX: 800-587-7501 www.crlaurence.com

