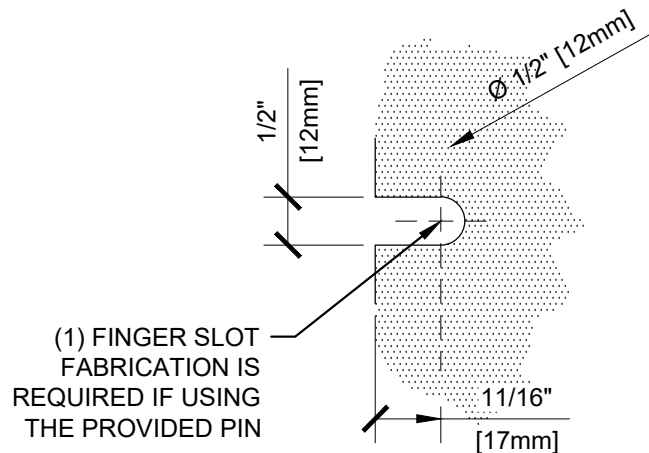
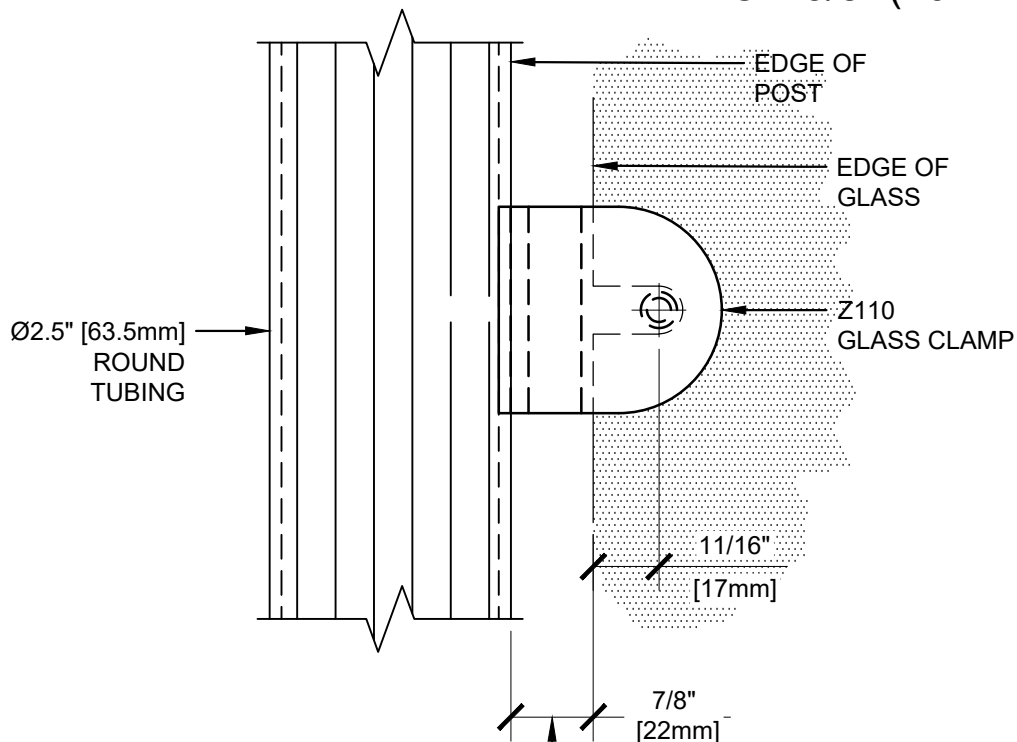
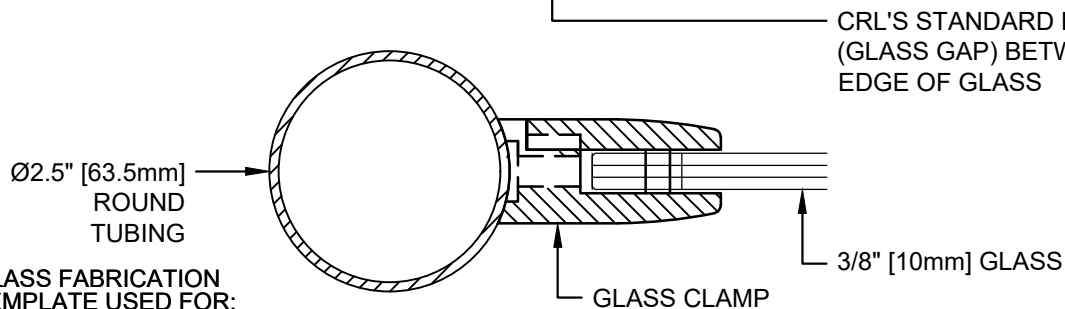


GLASS FABRICATION TEMPLATE FOR THE Z-SERIES LARGE ROUND GLASS CLAMPS FOR 3/8" (10 mm) GLASS



(1) FINGER SLOT FABRICATION IS REQUIRED IF USING THE PROVIDED PIN

ALWAYS USE DIMENSIONS SHOWN ON THE PLAN.
DO NOT SCALE OR DIMENSION ACTUAL DRAWING
TO ENSURE ACCURACY



**GLASS FABRICATION
TEMPLATE USED FOR:**

PART NUMBER	TUBE DIAMETER
Z110BR	2.5" (63.5mm)
Z110CH	2.5" (63.5mm)
Z110SC	2.5" (63.5mm)
Z110BN	2.5" (63.5mm)
Z110GP	2.5" (63.5mm)
Z110W	2.5" (63.5mm)

SPECIFICATIONS:

GLASS THICKNESS: FOR 3/8" (10 mm) GLASS.

BASE DESIGN: RADIUS BACK

FOR USE WITH: 2.5" (63.5mm) ROUND TUBING ONLY.

MATERIAL: CHOICE OF ZINC CONSTRUCTED OR STAINLESS STEEL. STAINLESS STEEL OR POWDER PAINTED ZINC CLAMPS ARE RECOMMENDED FOR MORE DURABILITY IN EXTERIOR APPLICATIONS.

GLASS FABRICATION: FOR 3/8" (10 mm) THICK GLASS: 1/2" (12mm) DIAMETER FINGER SLOT NEEDED WHEN USING RECOMMENDED PIN FOR GLASS SUPPORT.

INCLUDES: RUBBER GASKETS AND PIN WITH GROMMET.



ARCHITECTURAL PRODUCTS
PH: 800-421-6144 FX: 800-262-3299
WWW.CRLAURENCE.CO

DESCRIPTION:

Z-SERIES LARGE ROUND GLASS CLAMPS
FOR 3/8" (10 mm) GLASS

CAT. NO: (SEE CHART)	DATE: 10/13/16
FILE NAME: Z110	SCALE: 6"=1'-0"
DRAWN BY: J.T.	CHECKED BY: M.G.
SHT 1 OF 1	