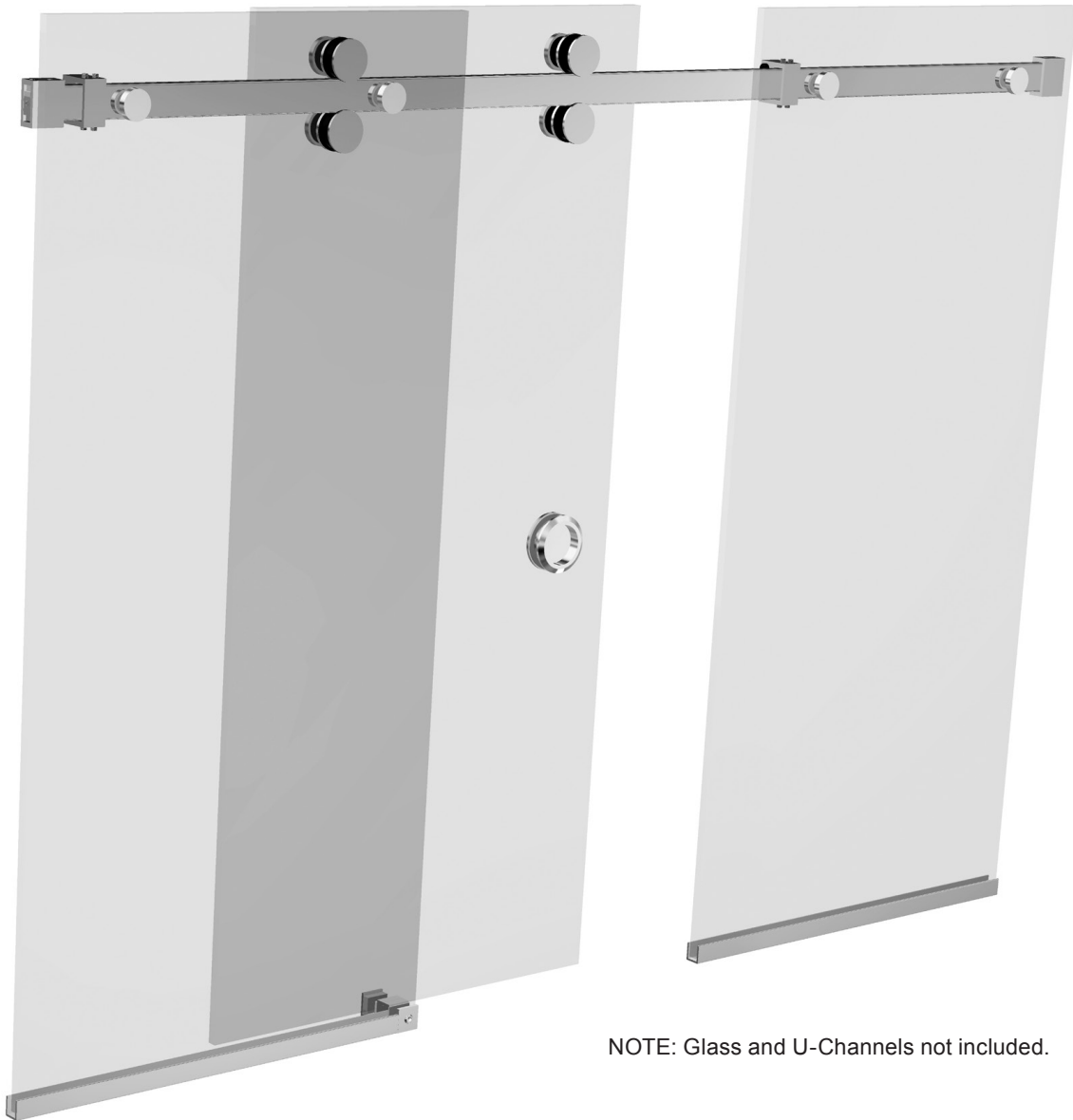


# CRL DELUXE SERENITY SERIES SER95 SLIDING DOOR KIT



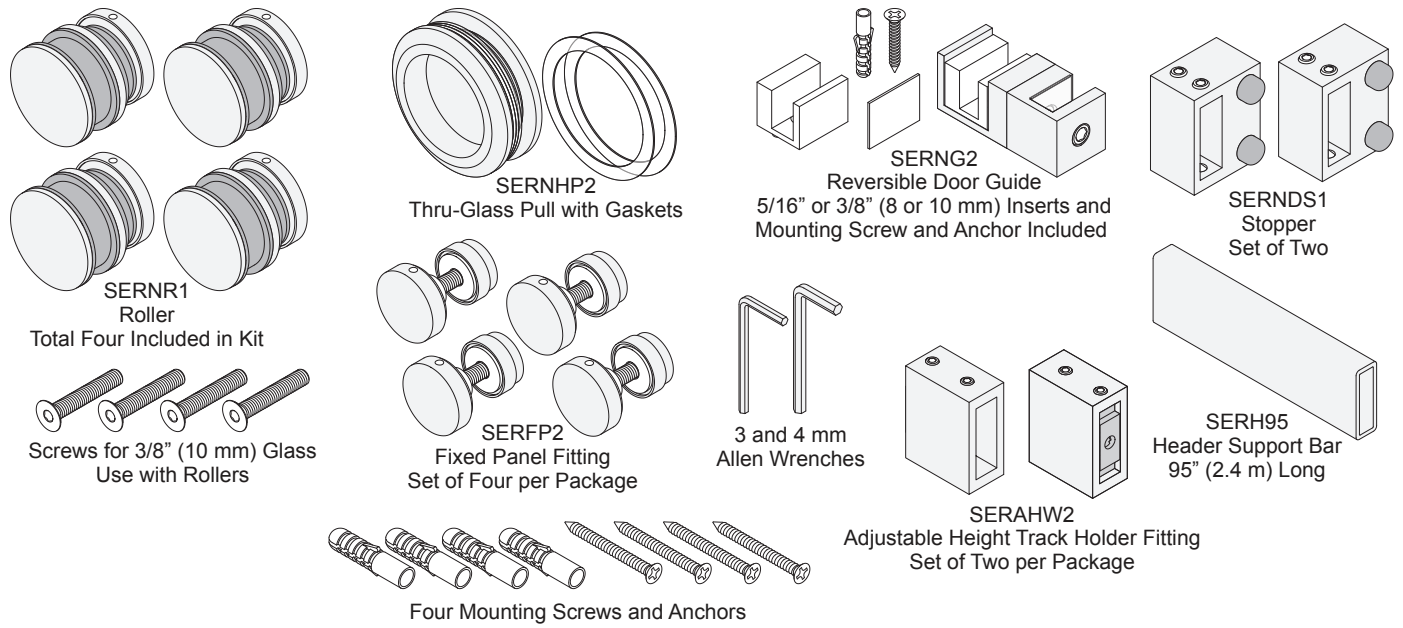
NOTE: Glass and U-Channels not included.

# ORDER OF ASSEMBLY AND INSTALLATION

PARTS LIST .....	2
SPECIFICATIONS .....	3
GLASS FABRICATION .....	4
SLIDING DOOR PREPARATION .....	5
Unpack Rollers .....	5
Install Top Rollers .....	5
SITE PREPARATION .....	6
Mark Location for Header Support Bar .....	6
FRAME FABRICATION .....	6
Prepare Header Support Bar .....	6
FRAME INSTALLATION .....	7 - 10
Mount Track Holder Fittings .....	7
Install Header .....	7
Bottom Guide Mounting Options and U-Channel Preparation (Optional) .....	8
Unpack and Prepare Bottom Door Guide .....	8
Install Fixed Panel Curb Mounts .....	8
Install Fixed Panel .....	9
Place Bottom Door Guide .....	9
Install Bottom Door Guide .....	10
SLIDING DOOR INSTALLATION .....	10
Hang Sliding Door .....	10
Install Bottom Rollers .....	10
FINISHING .....	11
Unpack and Install Thru-Glass Pull .....	11
Position and Tighten Stopper .....	11

**IMPORTANT: READ THIS MANUAL THOROUGHLY BEFORE BEGINNING INSTALLATION.**

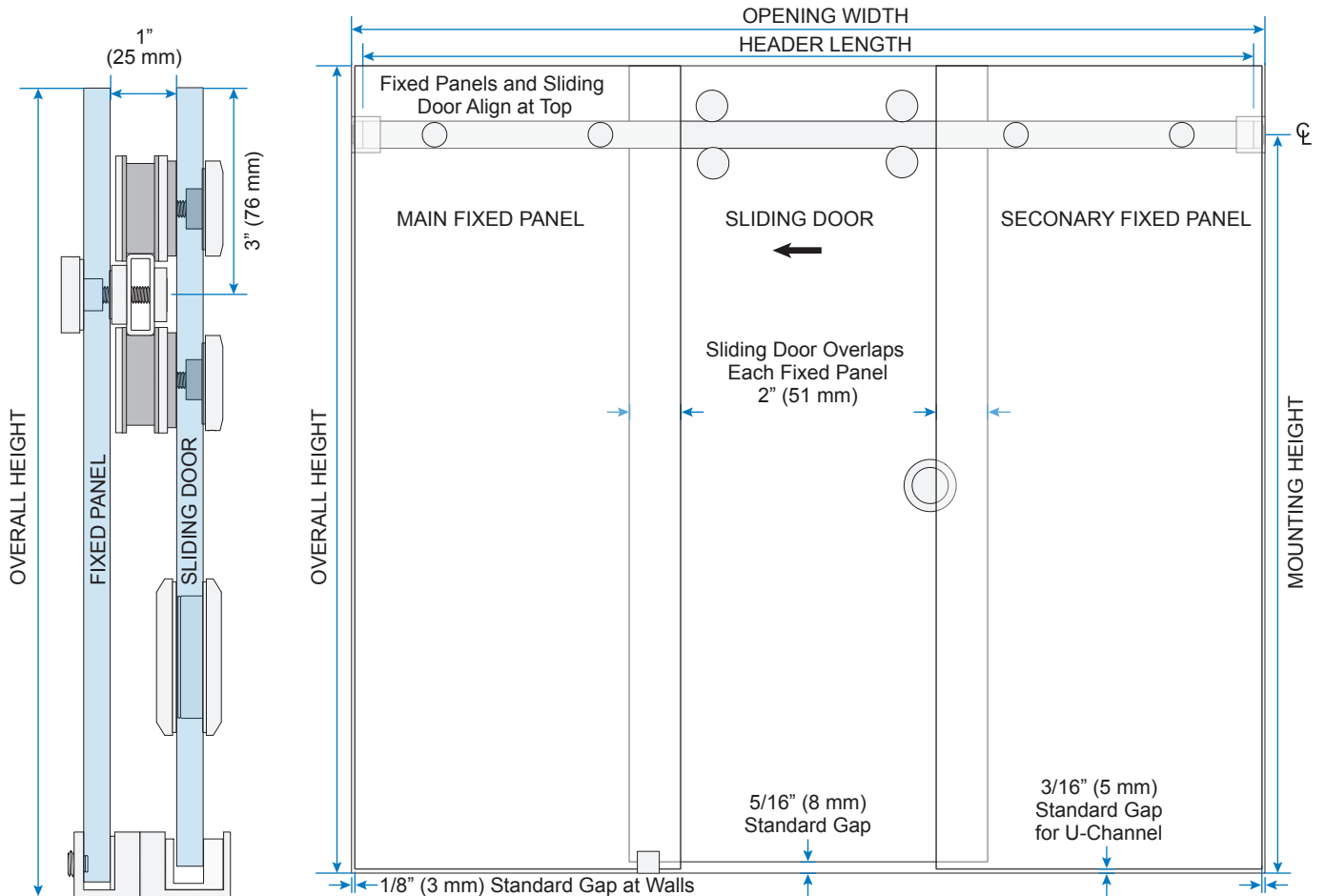
# PARTS LIST



NOTE: Track Holder Mounting Fittings, Longer Screws for Rollers and Tools Packed with Fixed Panel Fittings

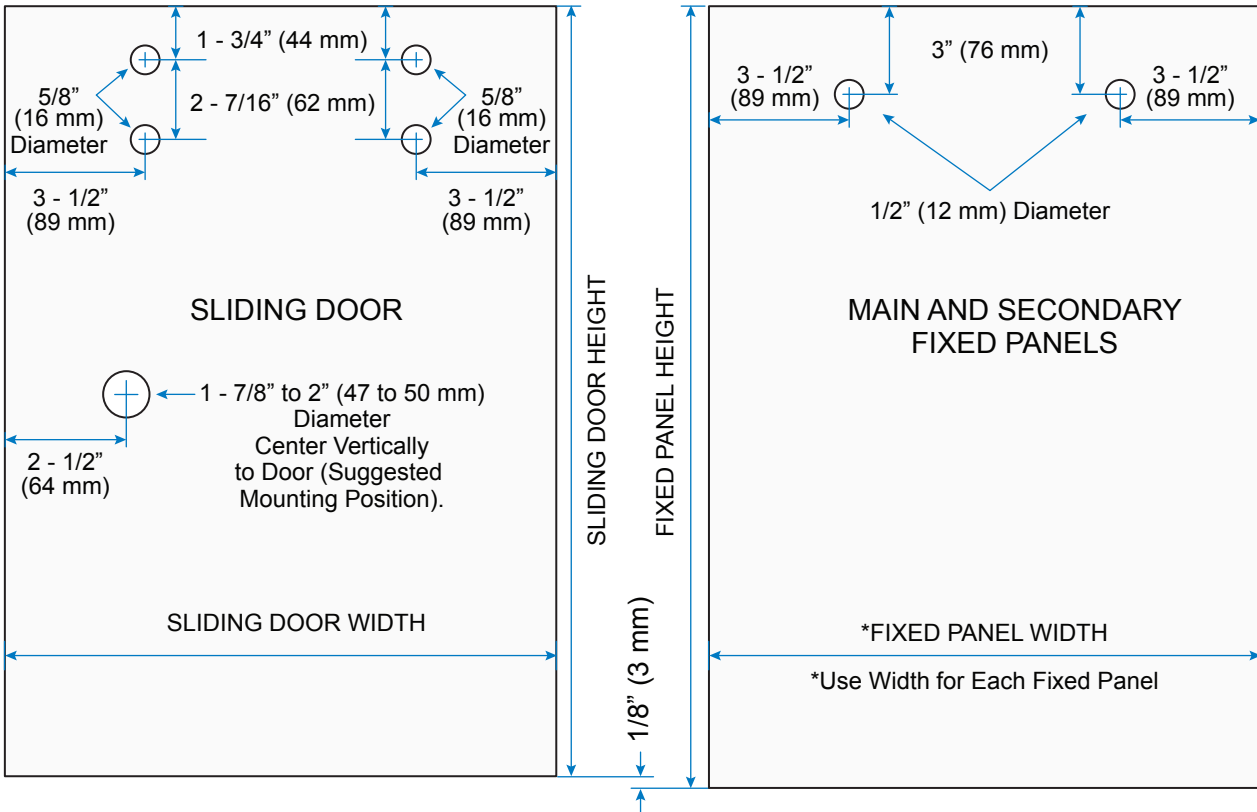
# SPECIFICATIONS

Drawing not to scale. Shown from exterior.



# GLASS FABRICATION

NOTE: For use with 5/16" to 3/8" (8 - 10 mm) Tempered Glass only. Do Not use Laminated Glass.

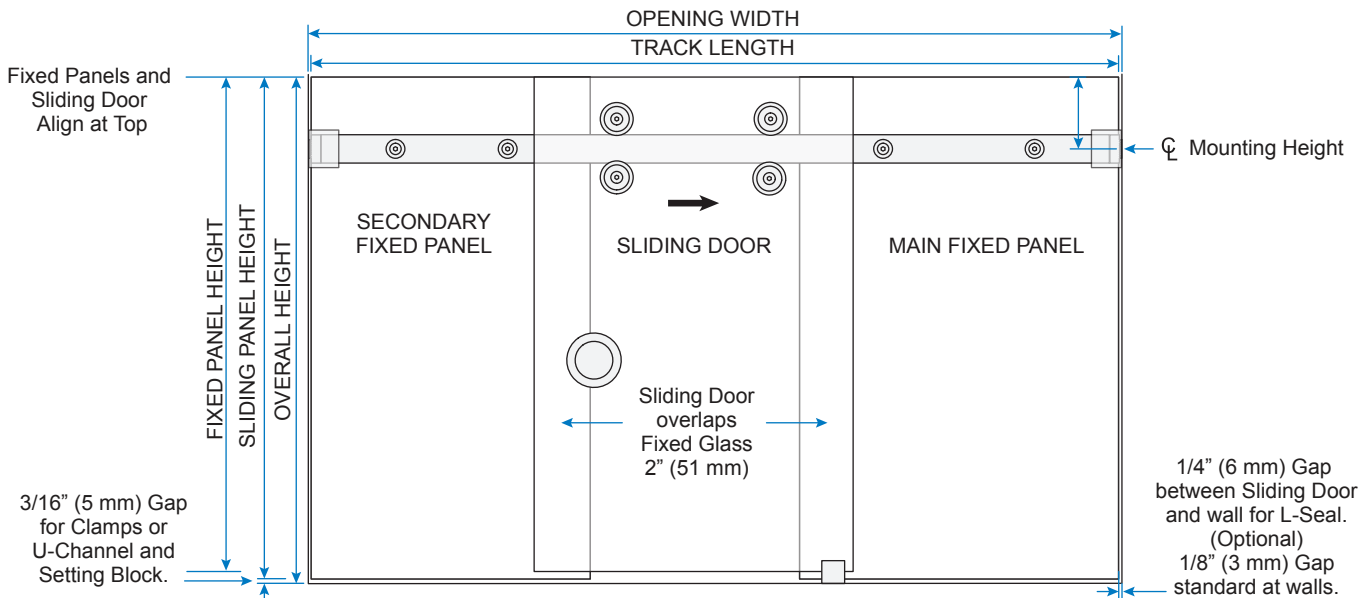


## FIXED PANEL AND SLIDING DOOR HEIGHTS

FIXED PANELS: Overall Height minus 3/16" (5 mm)  
 SLIDING DOOR: Overall Height minus 5/16" (8 mm)

## FIXED PANEL AND SLIDING DOOR WIDTHS

3 EVEN PANELS: Overall Width Divided by 3, plus 7/8" (22 mm) NOTE: 95" (2.413m) Max Opening Width  
 2 EVEN PANELS: Overall Width Minus Secondary Fixed Panel Width. Remaining Opening Size Divided by 2, plus 7/8" (22 mm).  
 NOTE: Sliding Door and Main Fixed Panel are Equal Widths.



NOTE: Drawings not shown to scale. Track is cut 1" (25 mm) less than Opening Width and centered in opening. Overall Height is height from curb/floor to top of glass. Drawings shown from interior with Bottom Door Guide cupping Fixed panel. See Page 8 for Guide mounting options.

# SLIDING DOOR PREPARATION

## Unpack Rollers

1 Unpack and disassemble two sets of Rollers.

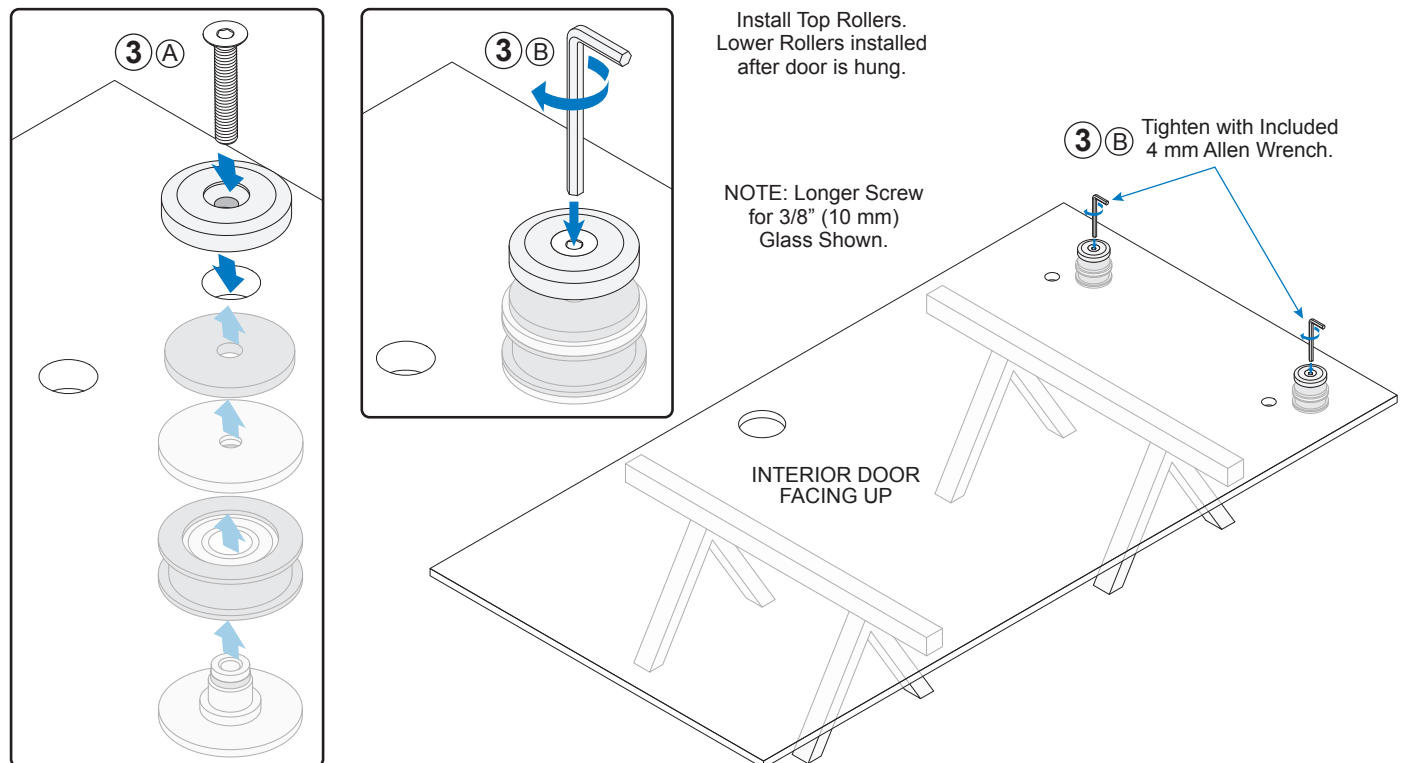
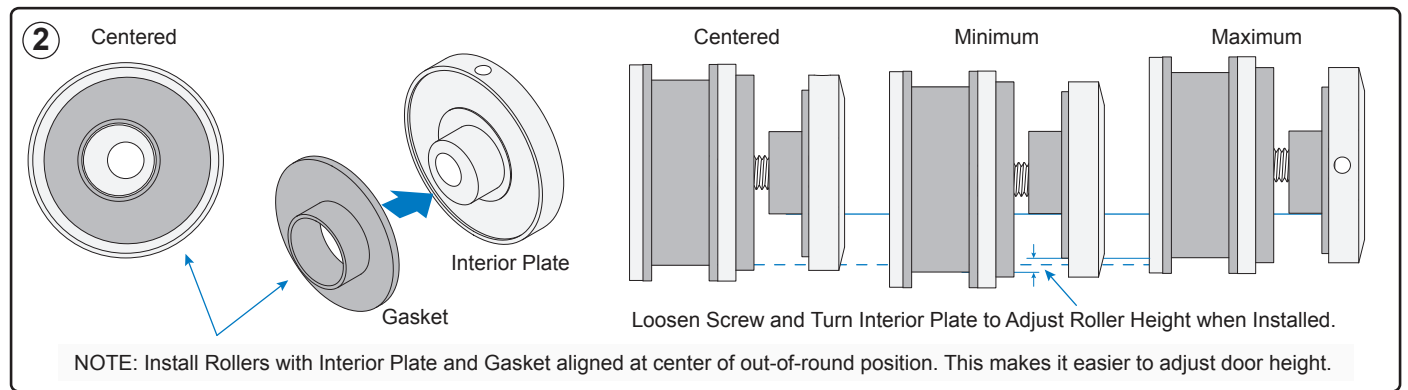
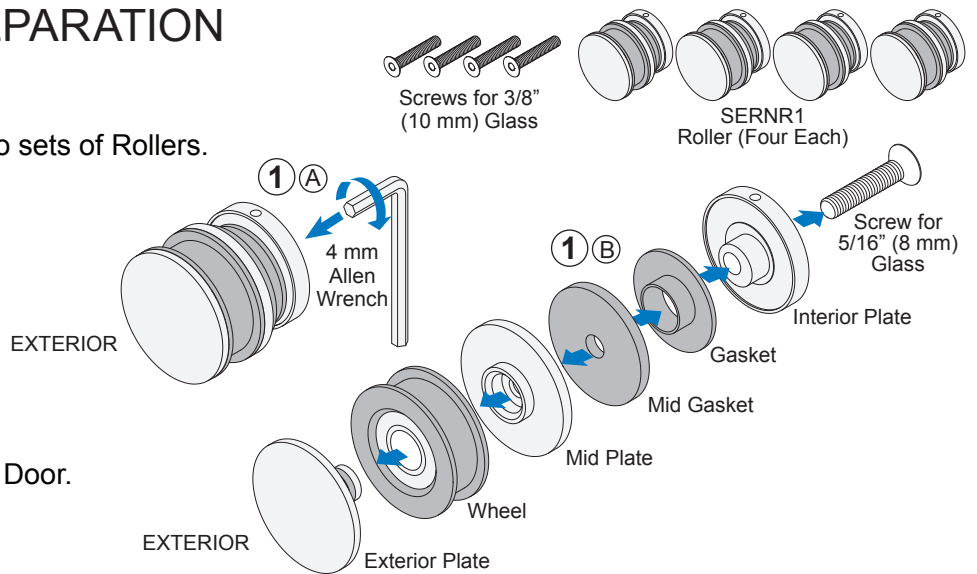
NOTE: Rollers shipped assembled with screws for 5/16" (8 mm) Glass. Screws for 3/8" (10 mm) Glass and Allen Wrench packaged with Fixed Panel Fittings.

2 Adjust wheel height.

## Install Top Rollers

3 Install Top Rollers on Sliding Door.

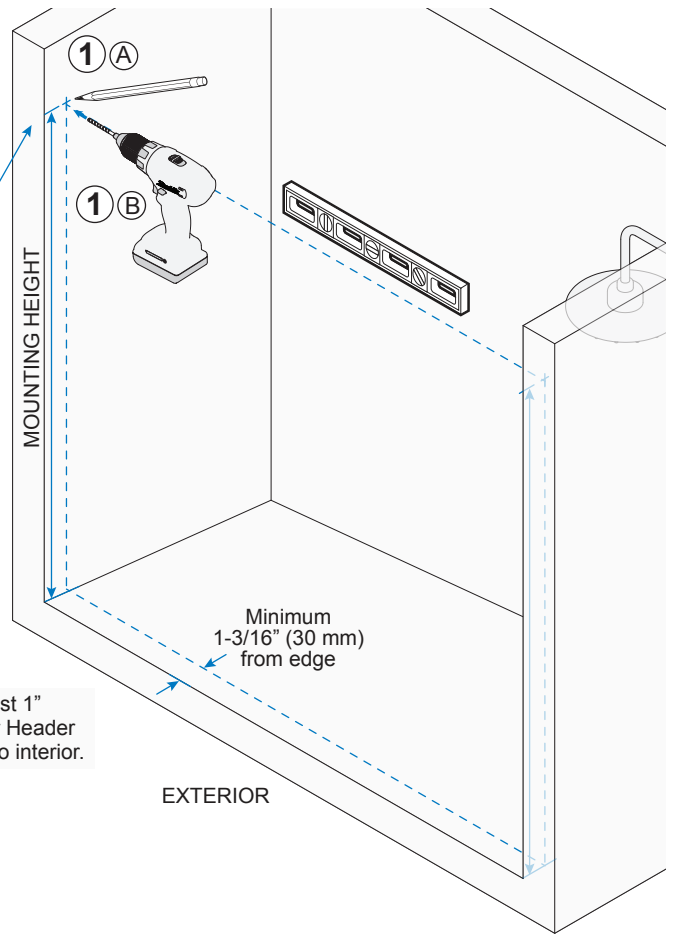
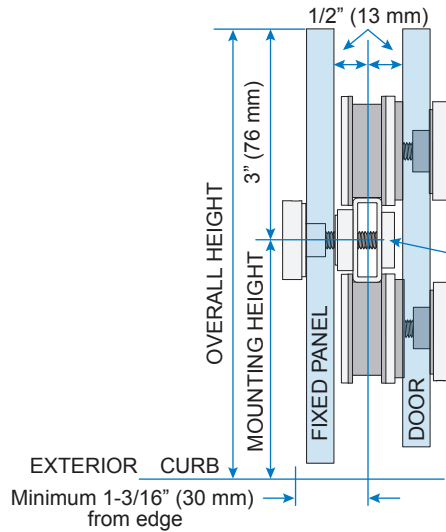
NOTE: Lower Rollers are installed after door is hung. See Page 10.



## SITE PREPARATION

### Mark Location for Header Support Bar

- 1 Mark and drill holes for Header Support Bar.



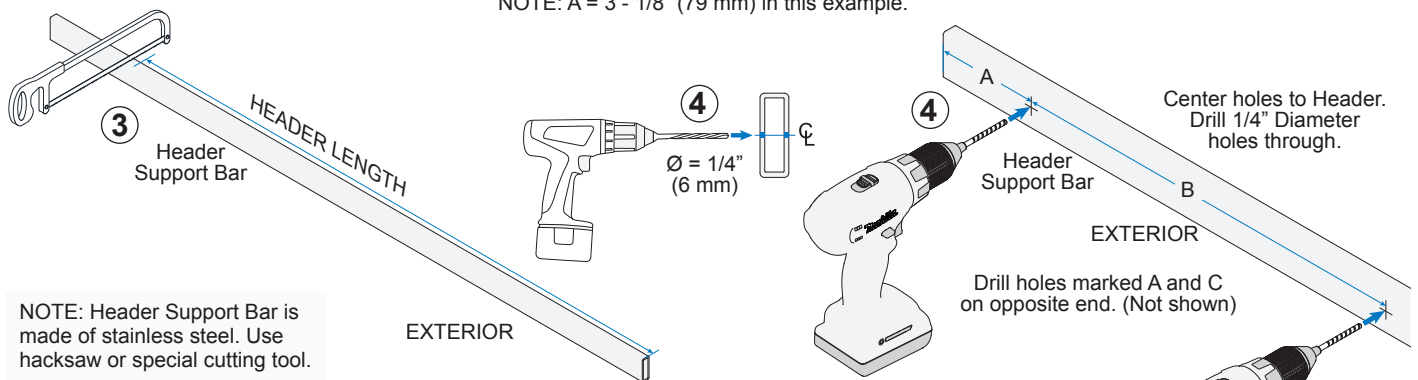
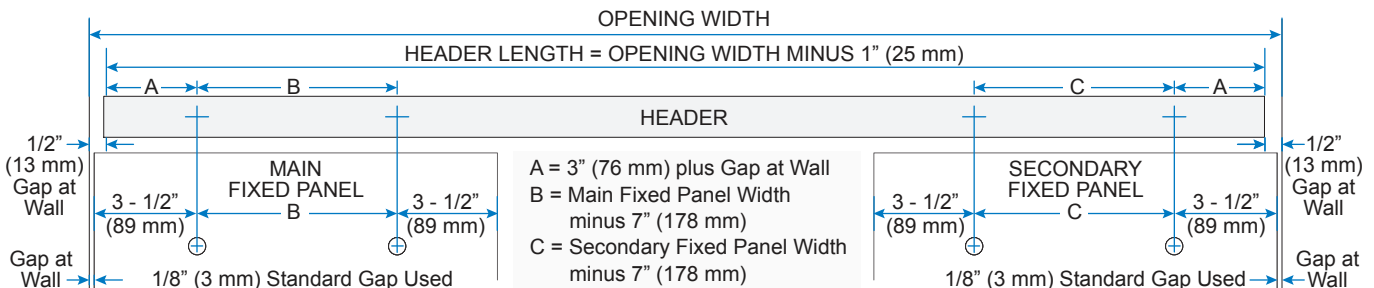
NOTE: Header Support Bar is generally centered to vertical jamb. Allow at least 1" (25 mm) from edge to install Bottom Guide. Fixed Panels mounted on exterior Header Support Bar shown in this manual. Mirror instructions to mount Fixed Panels to interior.

## FRAME FABRICATION

### Prepare Header Support Bar

- 2 Measure opening width at mounting points.
- 3 Cut SERH95 Header Support Bar.
- 4 Drill holes for Fixed Panel Fittings.

NOTE: Header Support Bar is cut 1" (25 mm) short from tight dimension and centered in opening, leaving 1/2" (13 mm) gap on each end to mount. Refer to Fixed Panel Glass fabrication and gap allowance between Fixed Panel and wall to determine mounting hole placement.

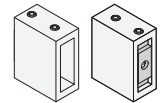


NOTE: Header Support Bar is made of stainless steel. Use hacksaw or special cutting tool.

# FRAME INSTALLATION

## Mount Track Holder Fittings

NOTE: Track Holder Fittings shown orientated for installation. Set Screw at end holds Base to Mounting Blocks while second Set Screw secures Base to Header when installed.



SERAHW2 Track Holder Fitting



Screws and Anchors

- 1) Unpack Track Holder Fittings. Loosen Set Screws and remove Mounting Blocks.

NOTE: Screws, Anchors and 3 mm Allen Wrench packaged with Fixed Panel Fittings.

- 2) Fasten Mounting Blocks to wall.

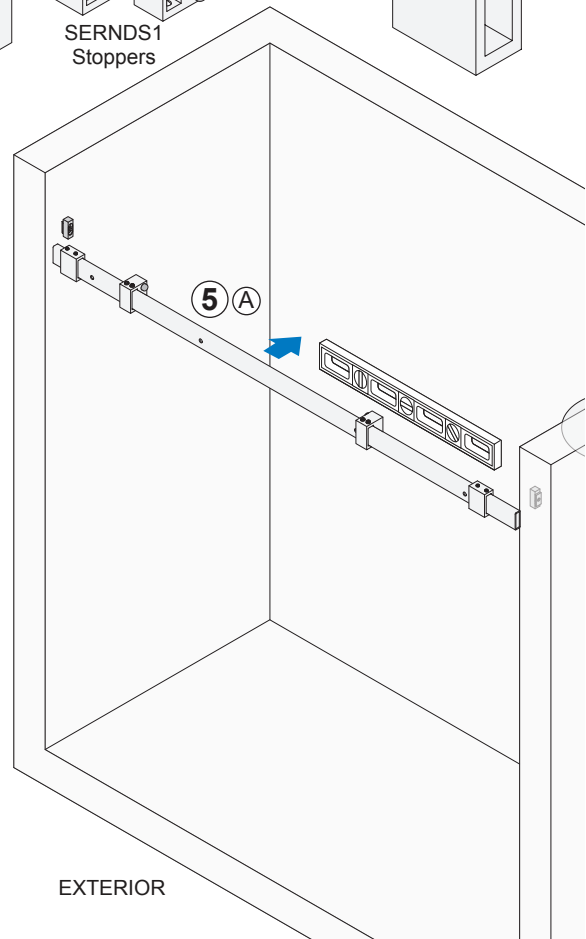
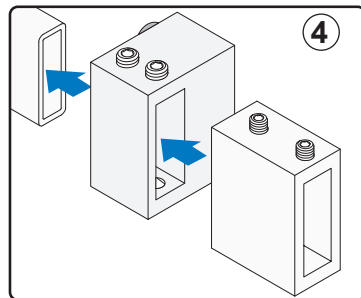
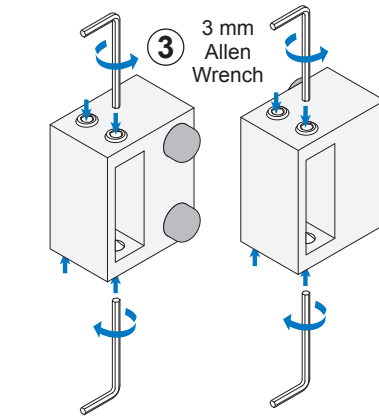
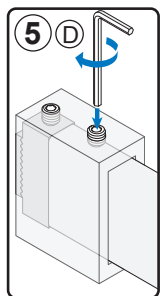
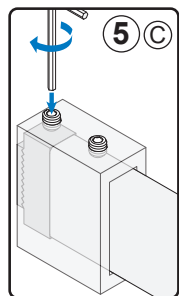
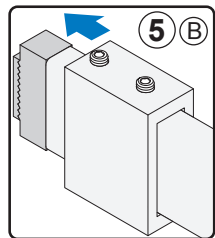
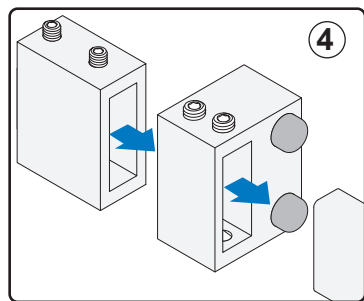
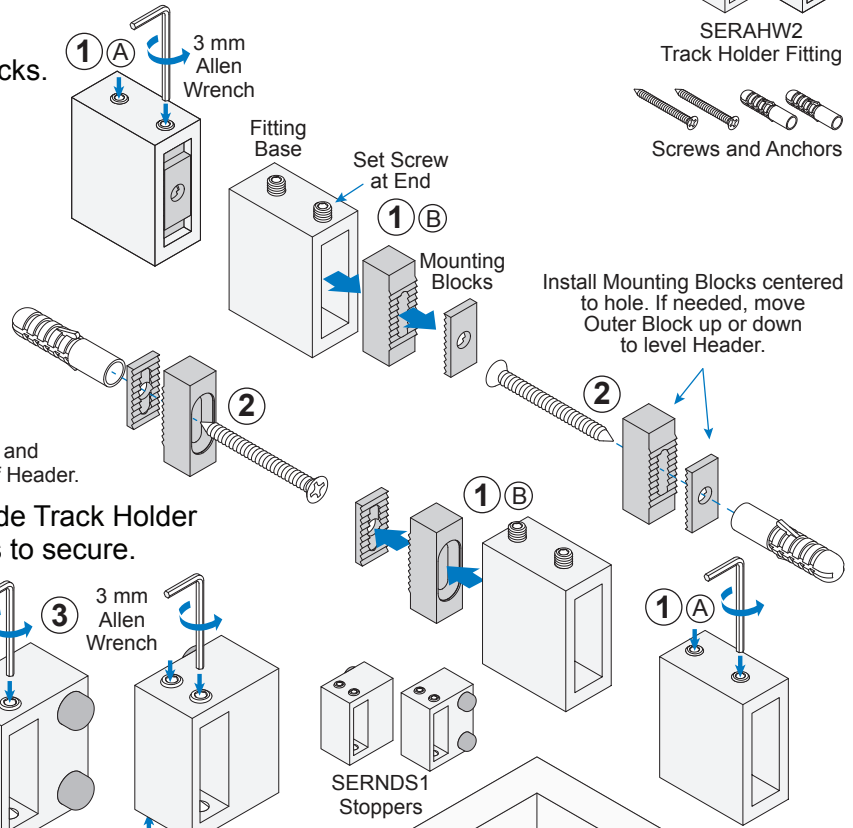
## Install Header

- 3) Unpack and loosen Set Screws on top and bottom of Stoppers.

- 4) Slide Stoppers and Track Holder Fittings onto Header.

NOTE: Orient Stopper with Rubber Bumpers facing center and Track Holder Fittings with closer Set Screw next to ends of Header.

- 5) Align Header with Mounting Block. Slide Track Holder Fittings to wall and tighten Set Screws to secure.



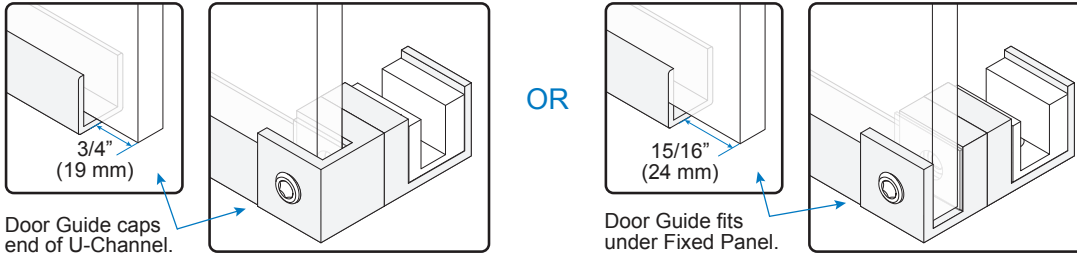
NOTE: Ensure Header is level. If not, loosen screws holding Mounting Blocks to adjust height.

## FRAME INSTALLATION (CONTINUED)

### Bottom Guide Mounting Options and U-Channel Preparation (Optional)

NOTE: Fixed Panels may be fastened to curb with clamps. Use dimensions shown below to calculate length of U-Channel for each mounting option.

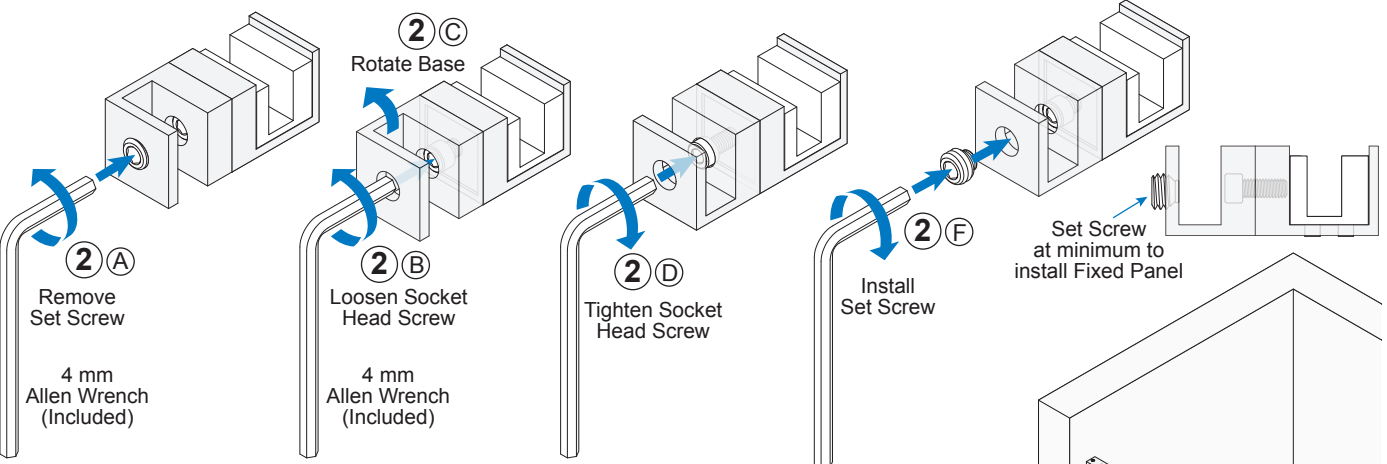
#### 1 Determine Bottom Door Guide mounting option.



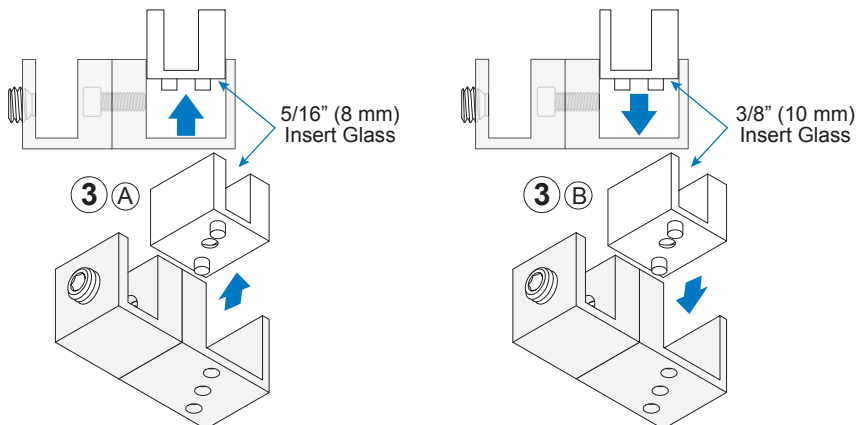
### Unpack and Prepare Bottom Door Guide

#### 2 Unpack Bottom Door Guide. Rotate orientation if needed. (Optional)

NOTE: Door Guide shipped oriented to cap Main Fixed Panel on right. Remove Set Screw and loosen Socket Head Screw to rotate base to change orientation. Insert for 5/16" (8 mm) glass installed. Insert for 3/8" (10 mm) glass included.



#### 3 Change Glass Insert. (Optional)



### Install Fixed Panel Curb Mounts

#### 4 Mount Clamps or U-Channel on curb.

NOTE: Door Guide installed after Sliding Door is hung. Door Guide with 3/8" (10 mm) Glass Insert positioned under Main Fixed Panel shown in installation in this manual.

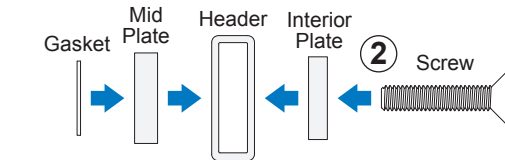
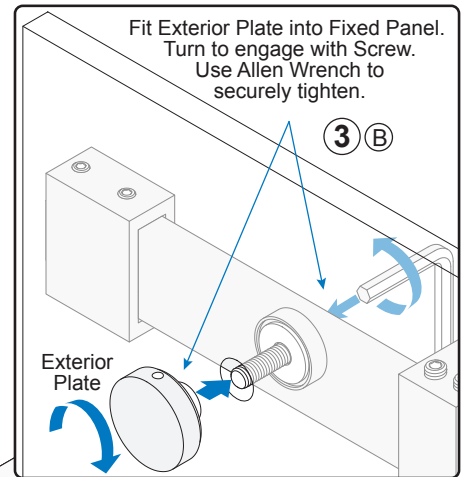
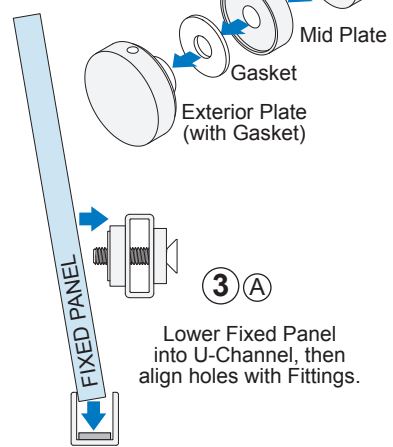
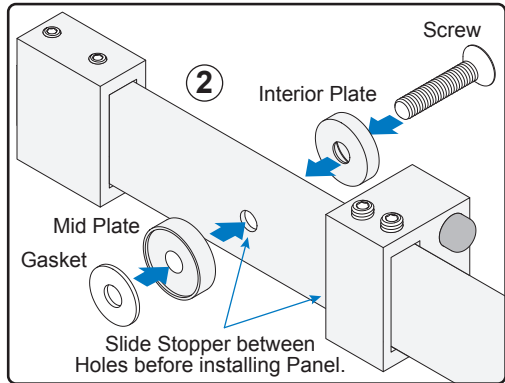
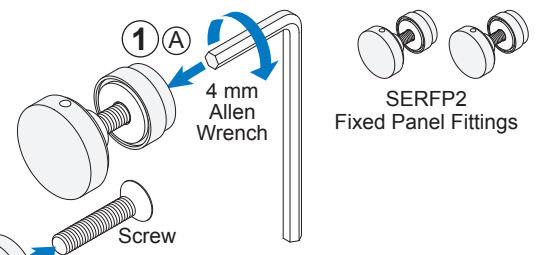




# FRAME INSTALLATION (CONTINUED)

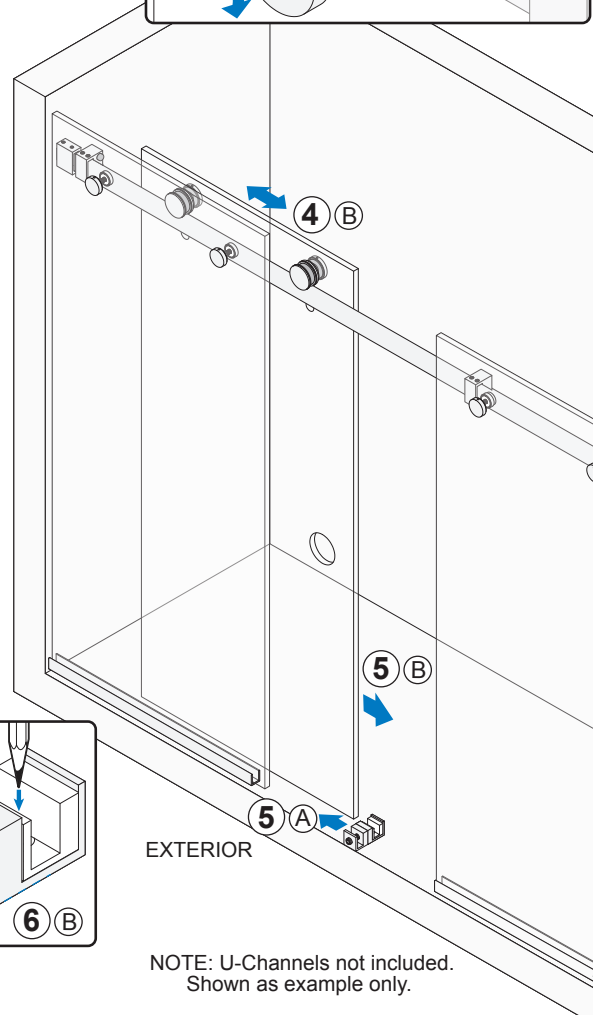
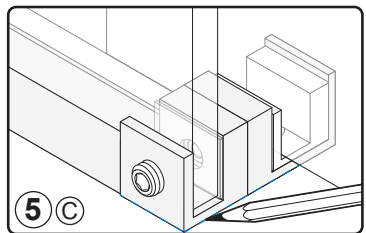
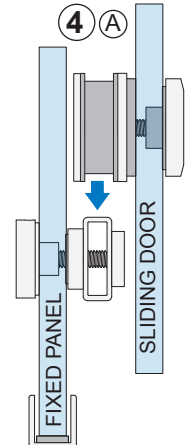
## Install Fixed Panels

- ① Unpack and disassemble Fixed Panel Fittings.
- ② Fit Interior and Mid Plates in Header Mounting Holes.
- ③ Align holes in Fixed Panel with Header Mounting Holes. Install Exterior Plate and tighten Fittings.

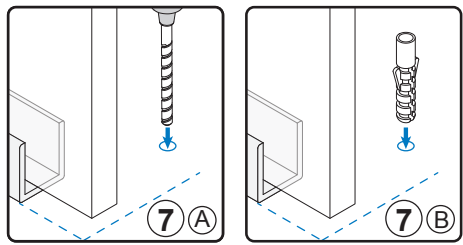


## Place Bottom Door Guide

- ④ Hang Sliding Door and carefully slide back and forth to check height.
- NOTE: See Page 5 to Prepare Door before hanging and to adjust Roller height if needed.
- ⑤ Place Door Guide to engage with Sliding Door. Close Door, adjust Guide position and outline.



- ⑥ Remove Door to mark hole.
- ⑦ Remove Guide. Drill hole and insert anchor.

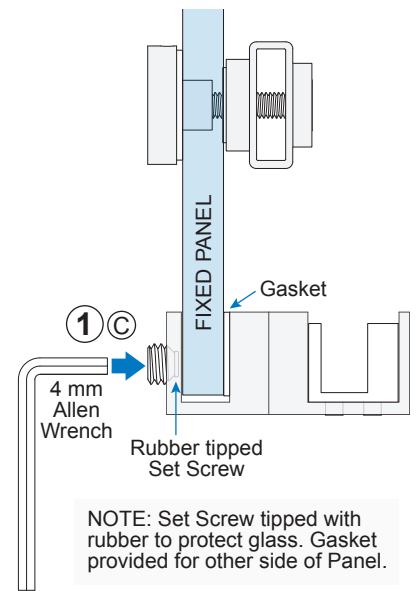
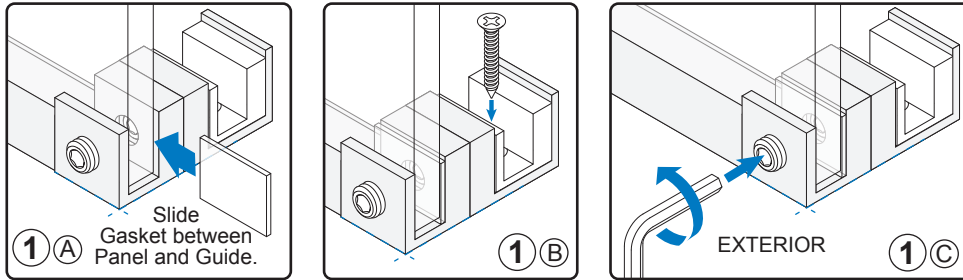


NOTE: U-Channels not included. Shown as example only.

# FRAME INSTALLATION (CONTINUED)

## Install Bottom Door Guide

① Fasten Bottom Door Guide and tighten Set Screw to Fixed Panel.



## SLIDING DOOR INSTALLATION

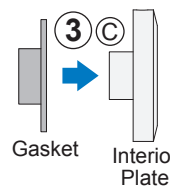
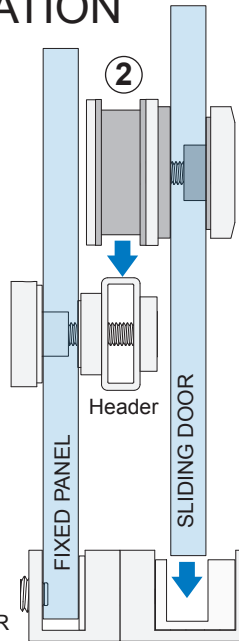
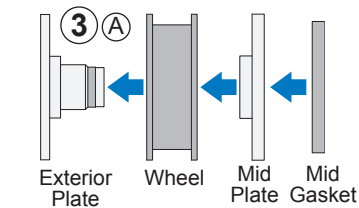
### Hang Sliding Door

② Hang Sliding Door placing Glass inside Bottom Guide.

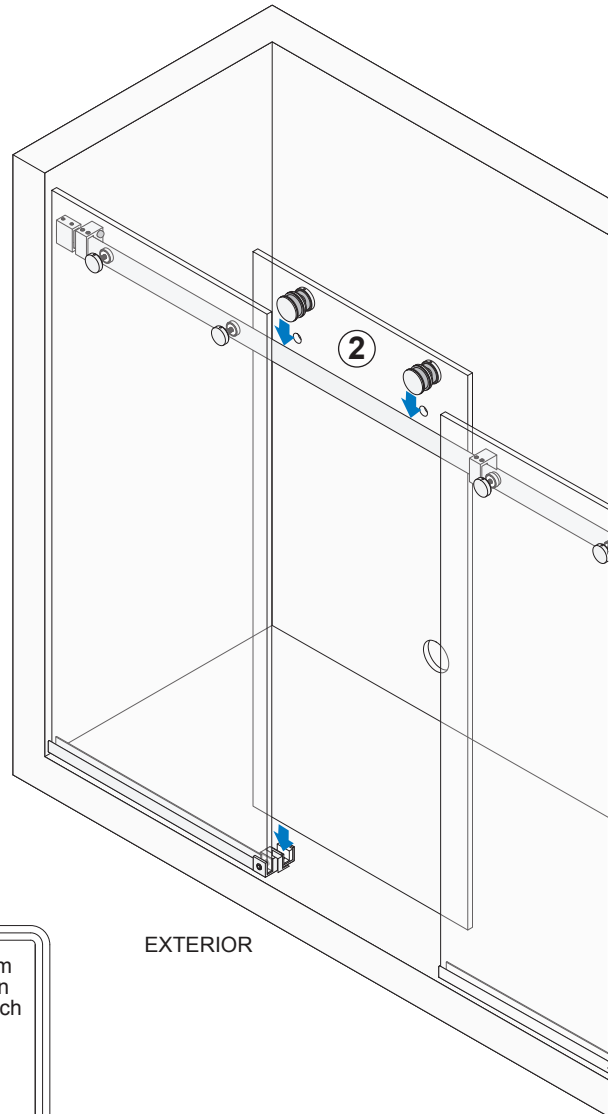
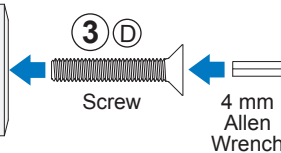
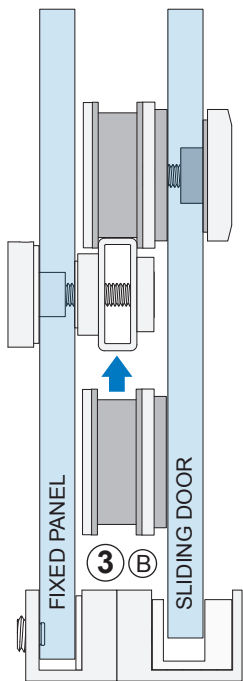
### Install Bottom Rollers

③ Prepare and install Bottom Rollers.

NOTE: See Page 5 before installing Rollers.



NOTE: Align at center of out-of-round position. See Page 5.



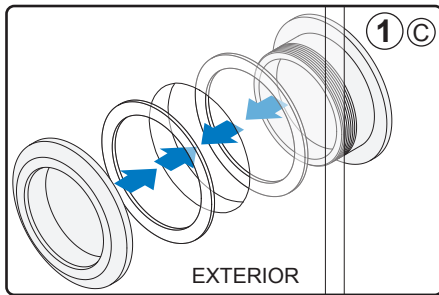
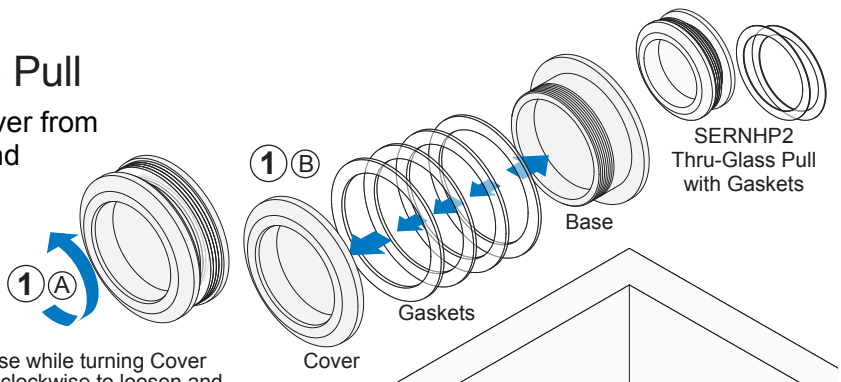
NOTE: Screw for 3/8" (10 mm) Glass shown. Shorter screw used for 5/16" (8 mm) Glass.

## FINISHING

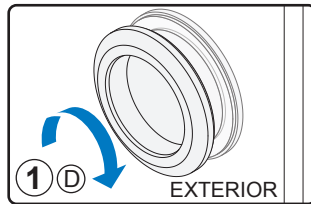
### Unpack and Install Thru-Glass Pull

- 1 Unscrew Thru-Glass Pull. Separate Cover from Base, select combination of gaskets, and reassemble on Sliding Glass Door.

NOTE: Three pairs of Gaskets in various widths included. Select one gasket or combine several to obtain desired thickness. Place on each side of glass so Pull is snug.

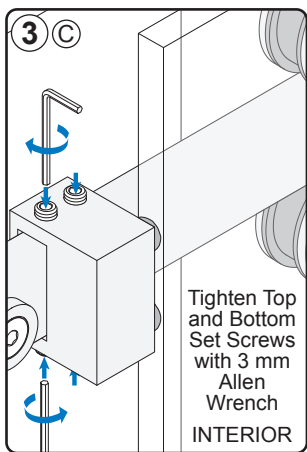
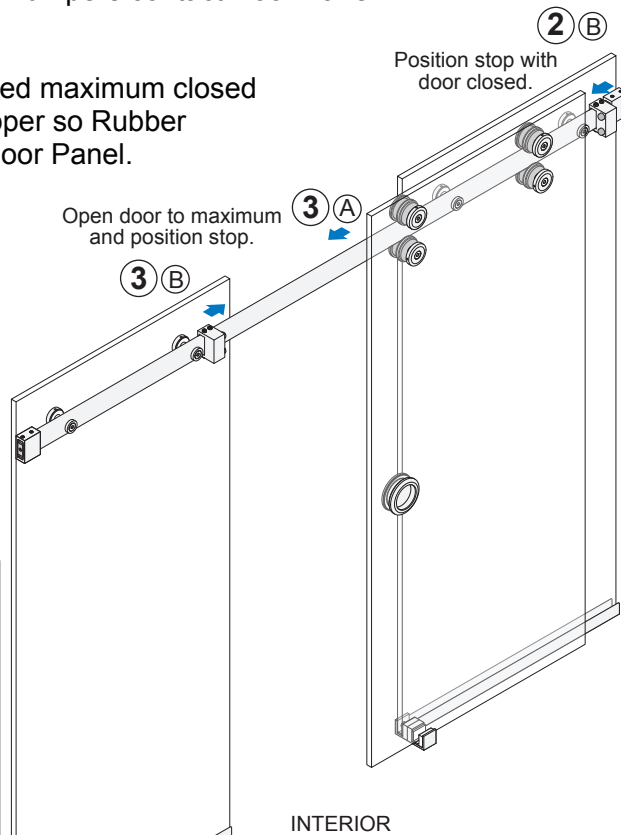
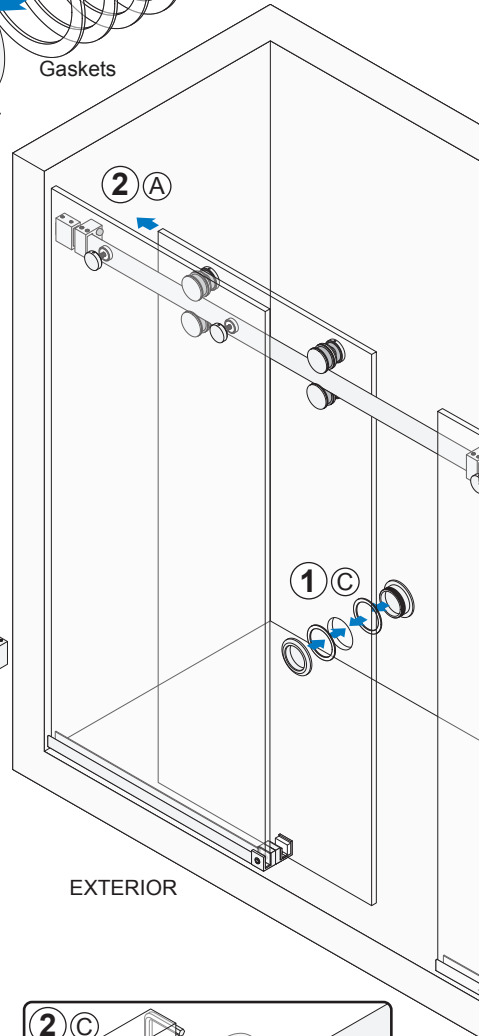


Hold Base while turning Cover counter-clockwise to loosen and clockwise to tighten.

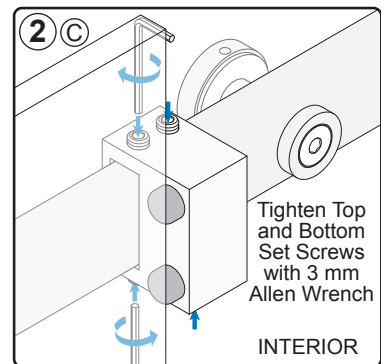


### Position and Tighten Stoppers

- 2 Move Door to desired maximum open position. Slide Stopper so Rubber Bumpers contact Door Panel. Tighten securely.
- 3 Move Door to desired maximum closed position. Slide Stopper so Rubber Bumpers contact Door Panel. Tighten securely.



Tighten Top and Bottom Set Screws with 3 mm Allen Wrench  
INTERIOR



Tighten Top and Bottom Set Screws with 3 mm Allen Wrench  
INTERIOR