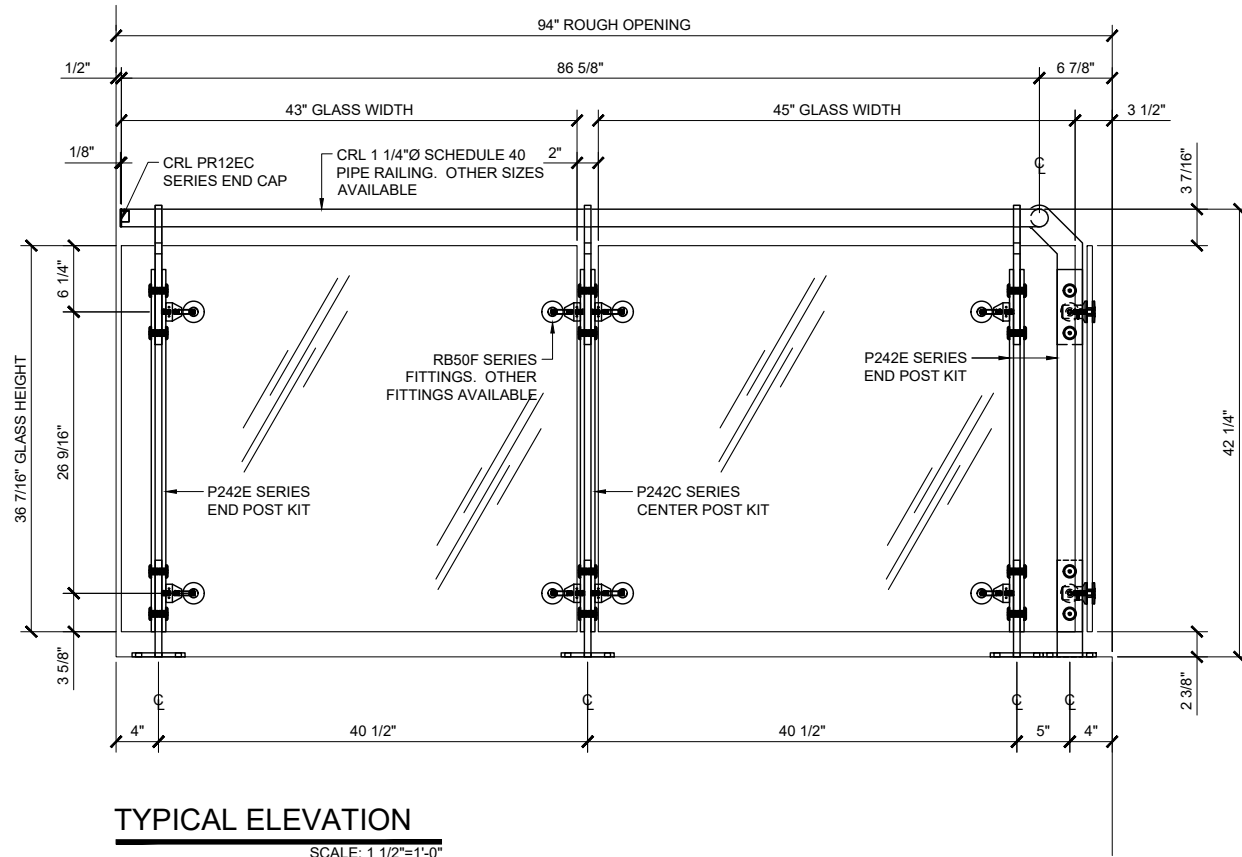
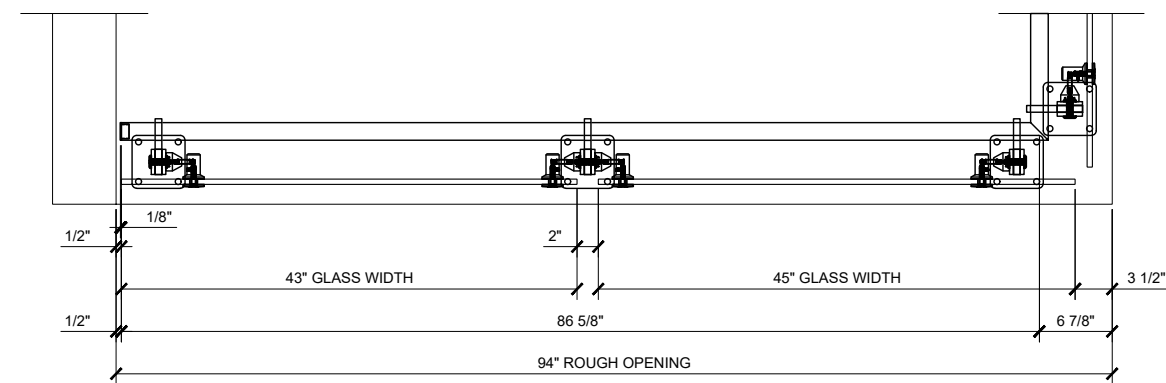


# CRL P2 SERIES POST RAILING SYSTEM

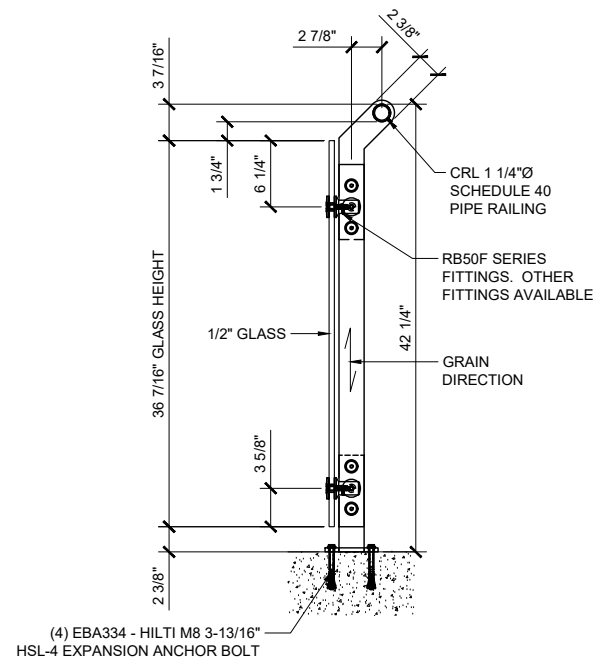
- \* DESIGNED TO ACCEPT 1/2" TO 27/32" TEMPERED GLASS
- \* POST SUPPORTS 1 1/4"Ø SCHEDULE 40 (1.66" O.D.) PIPE RAILING
- \* 36" AND 42" STANDARD POST HEIGHTS WITH CUSTOM HEIGHTS AVAILABLE
- \* TWO STANDARD STAINLESS STEEL FINISHES WITH CUSTOM POWDER PAINT FINISHES ALSO AVAILABLE



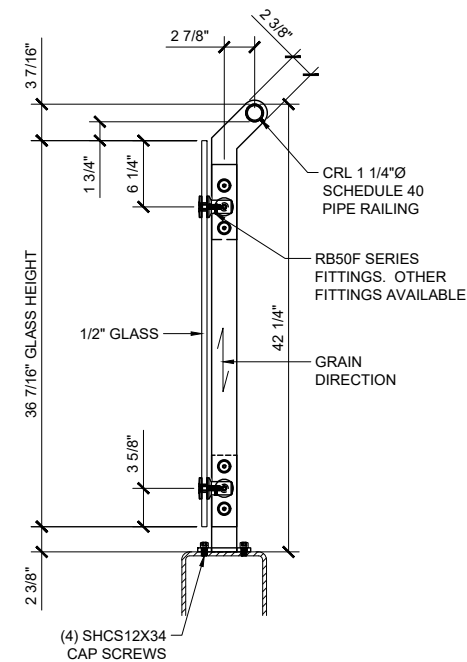
**TYPICAL ELEVATION**  
SCALE: 1 1/2"=1'-0"



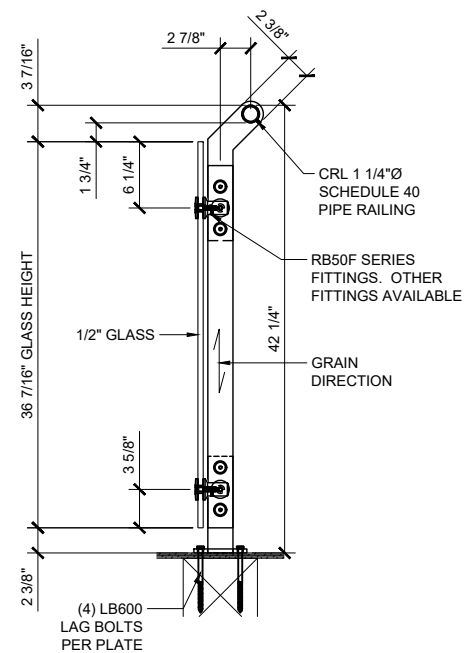
**TYPICAL PLAN VIEW**  
SCALE: 1 1/2"=1'-0"



**CONCRETE MOUNT**  
SCALE: 1 1/2"=1'-0"



**STEEL MOUNT**  
SCALE: 1 1/2"=1'-0"



**WOOD MOUNT**  
SCALE: 1 1/2"=1'-0"

Revisions By:

**CRL**

2503 E. Vernon Avenue, Los Angeles, CA 90058-1897  
PH (800)-421-6144 FX: 800-587-7501 www.crlra.com

Description:

CRL P2-SERIES  
POST RAILING SYSTEMS  
SYS0071B

Drawn By: SDH  
Date: 03/08/2017  
Scale: AS NOTED  
File Name:  
SYS0071B P2 Series Stainless Steel Post Railing Systems

Sheet

1.01

Revisions By:

**CRL**

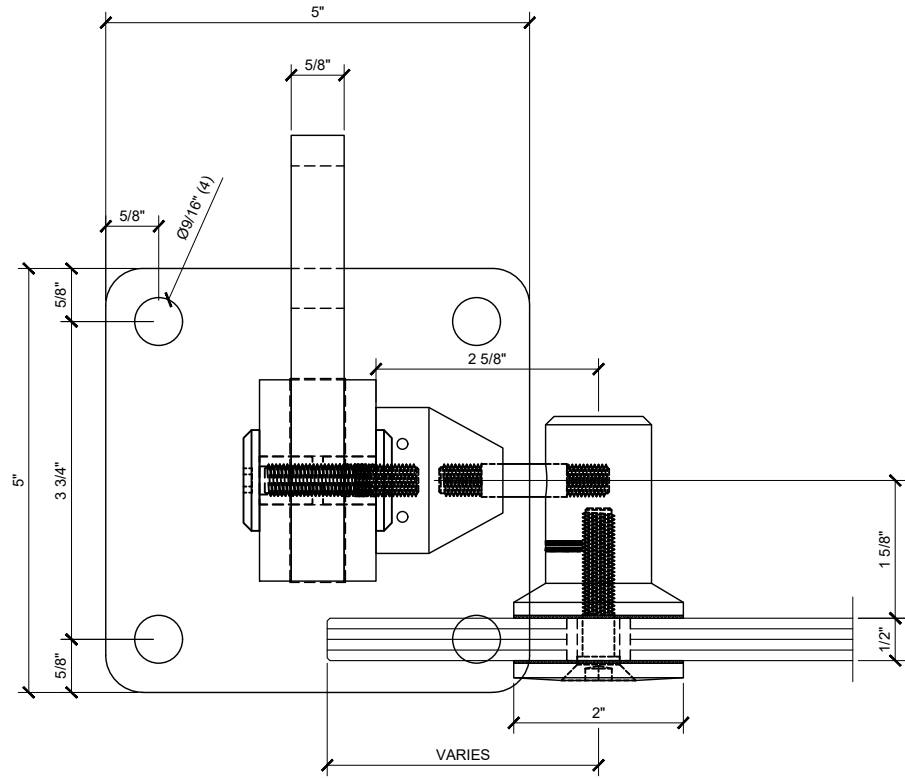
2503 E. Vernon Avenue, Los Angeles, CA 90058-1887  
PH (800)-421-6144 FX: 800-587-7501 www.crlaurence.com

Description:  
CRL P2-SERIES  
POST RAILING SYSTEMS  
SYS0071B

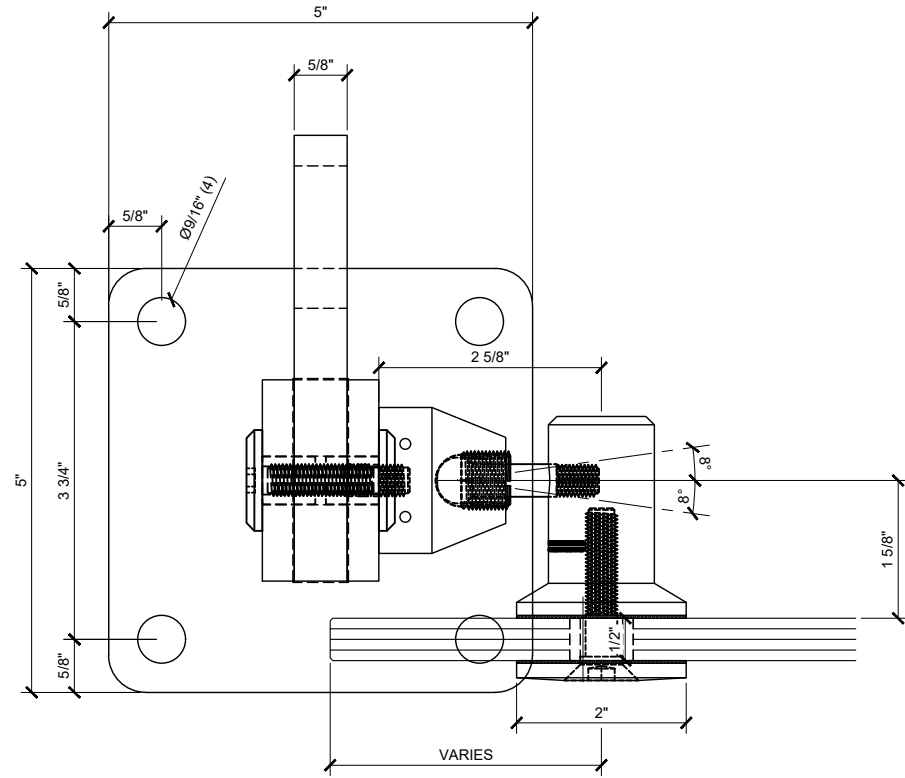
Drawn By: SDH  
Date: 03/08/2017  
Scale: AS NOTED  
File Name:  
SYS0071B P2 Series Stainless Steel Post Railing Systems

Sheet

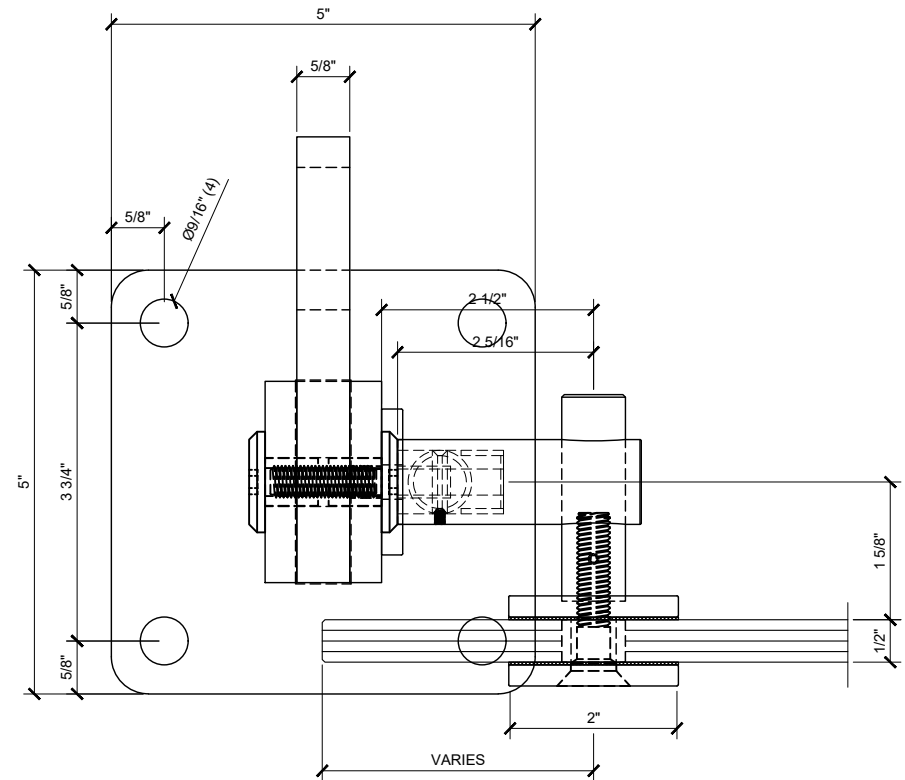
2.01



**RB50F FIXED FITTING / FLANGE**  
SCALE: 1'-0"=1'-0"



**RB50F SWIVEL FITTING / FLANGE**  
SCALE: 1'-0"=1'-0"



**RB51F FIXED FITTING / FLANGE**  
SCALE: 1'-0"=1'-0"