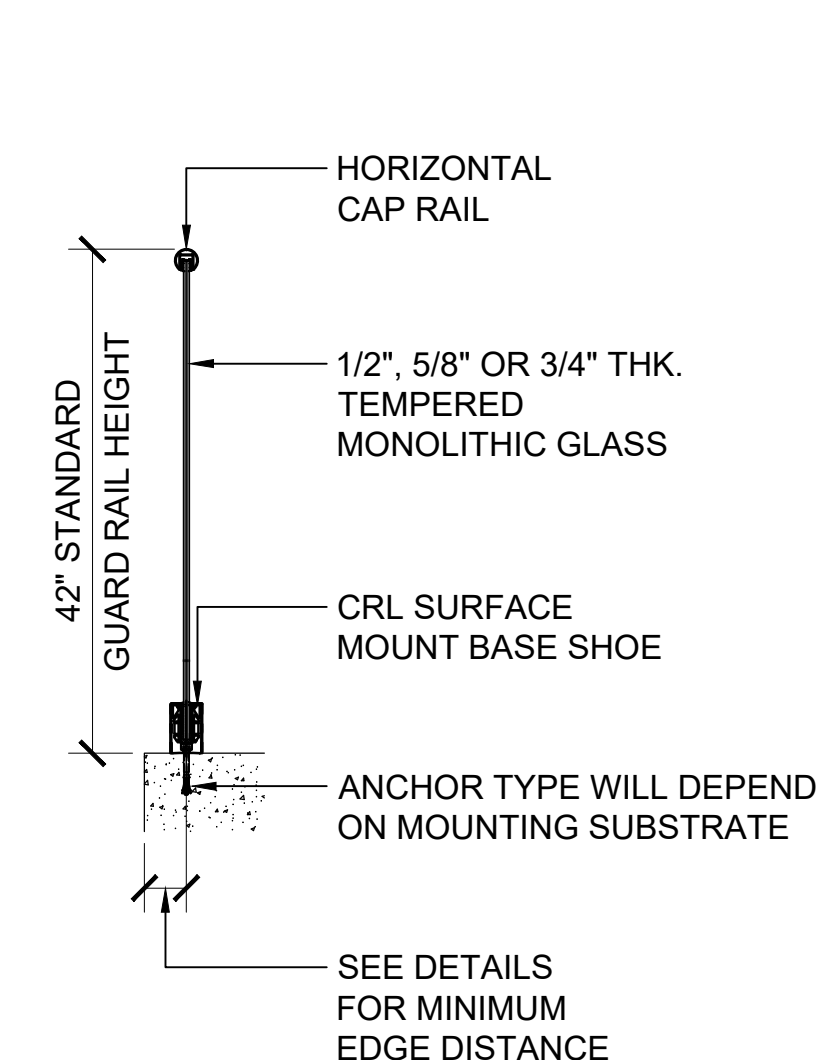
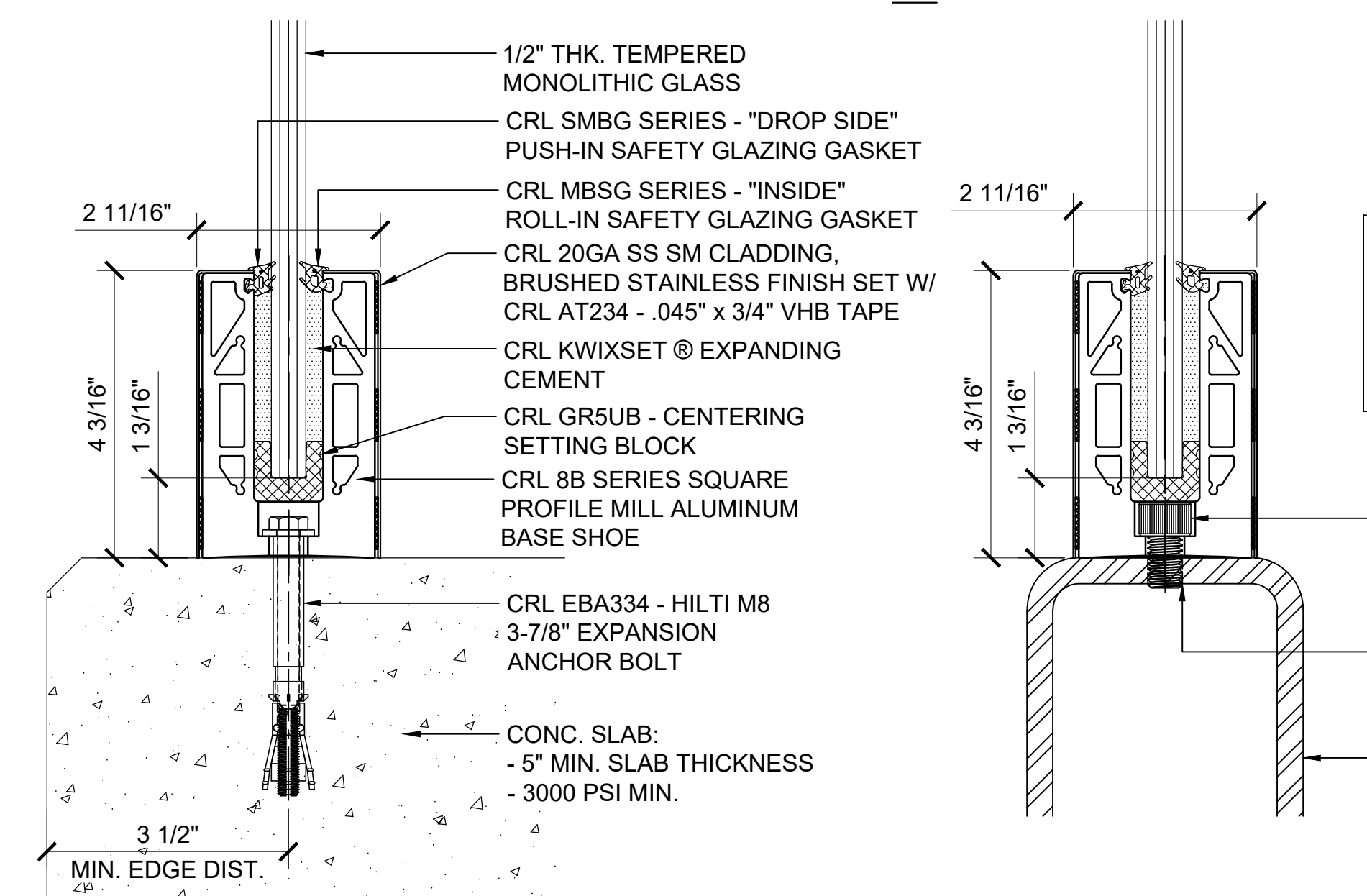


TYPICAL GRS GLASS RAILING ELEVATION VIEW - SURFACE MOUNT



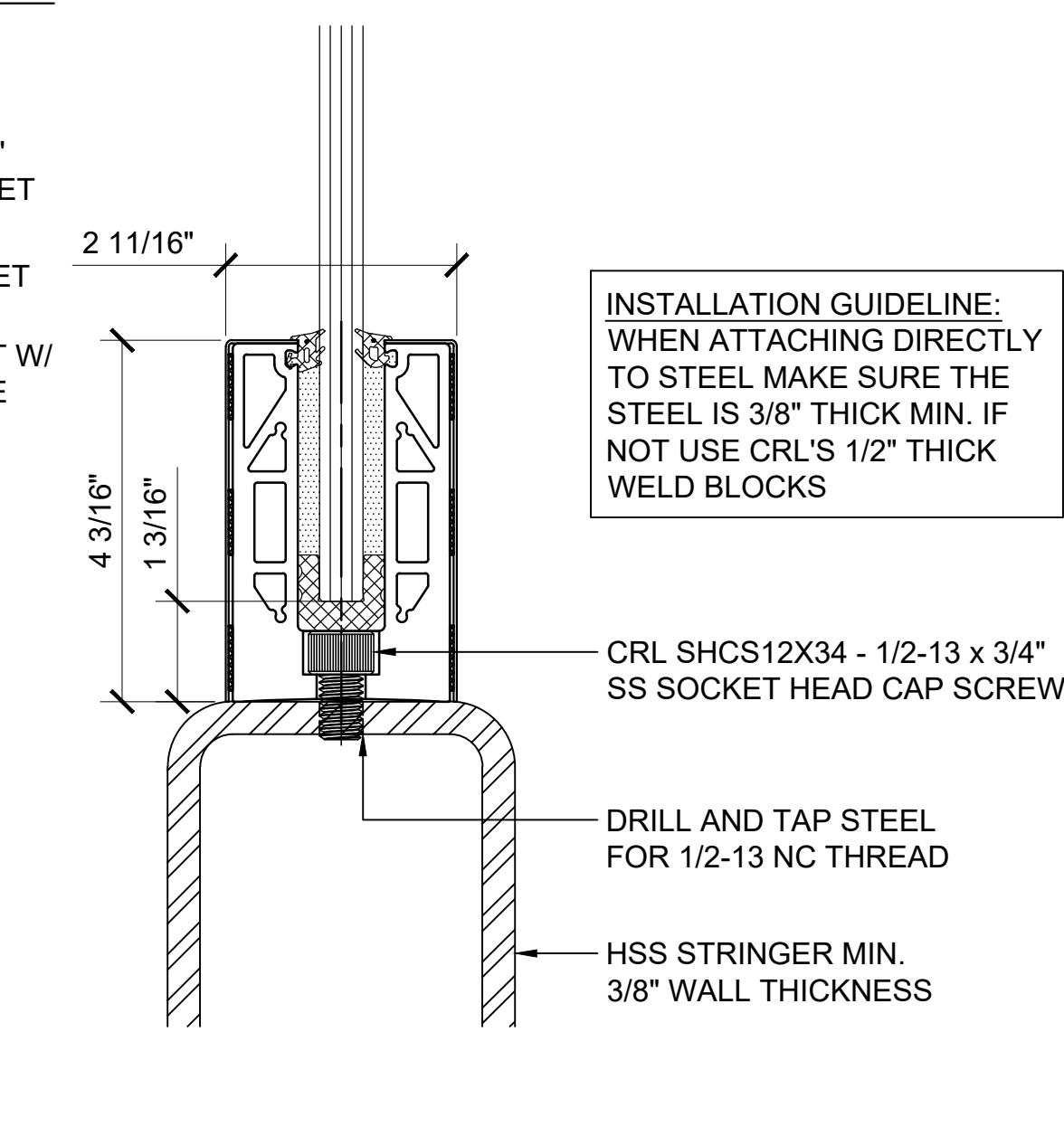
TYPICAL GRS GLASS RAILING ELEVATION VIEW - FASCIA MOUNT

TYPICAL BASE SHOE ATTACHMENTS USING THE 8B SERIES BASE SHOE WITH TAPER-LOC® SYSTEM



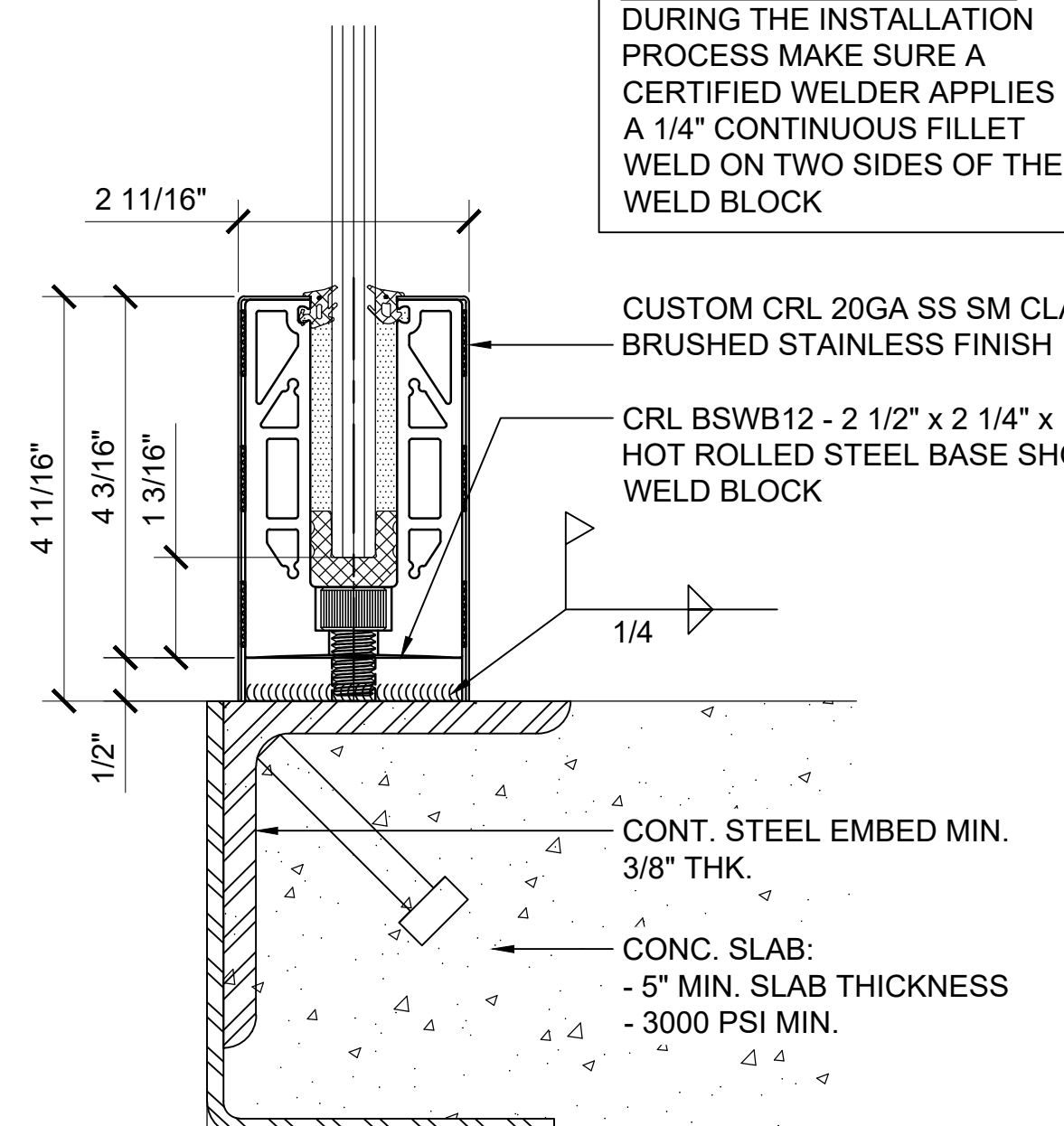
SURFACE MOUNT DETAIL CONCRETE SUBSTRATE

ANCHOR SPACING WILL DEPEND ON MOUNTING SUBSTRATE AND REGION OF PROJECT



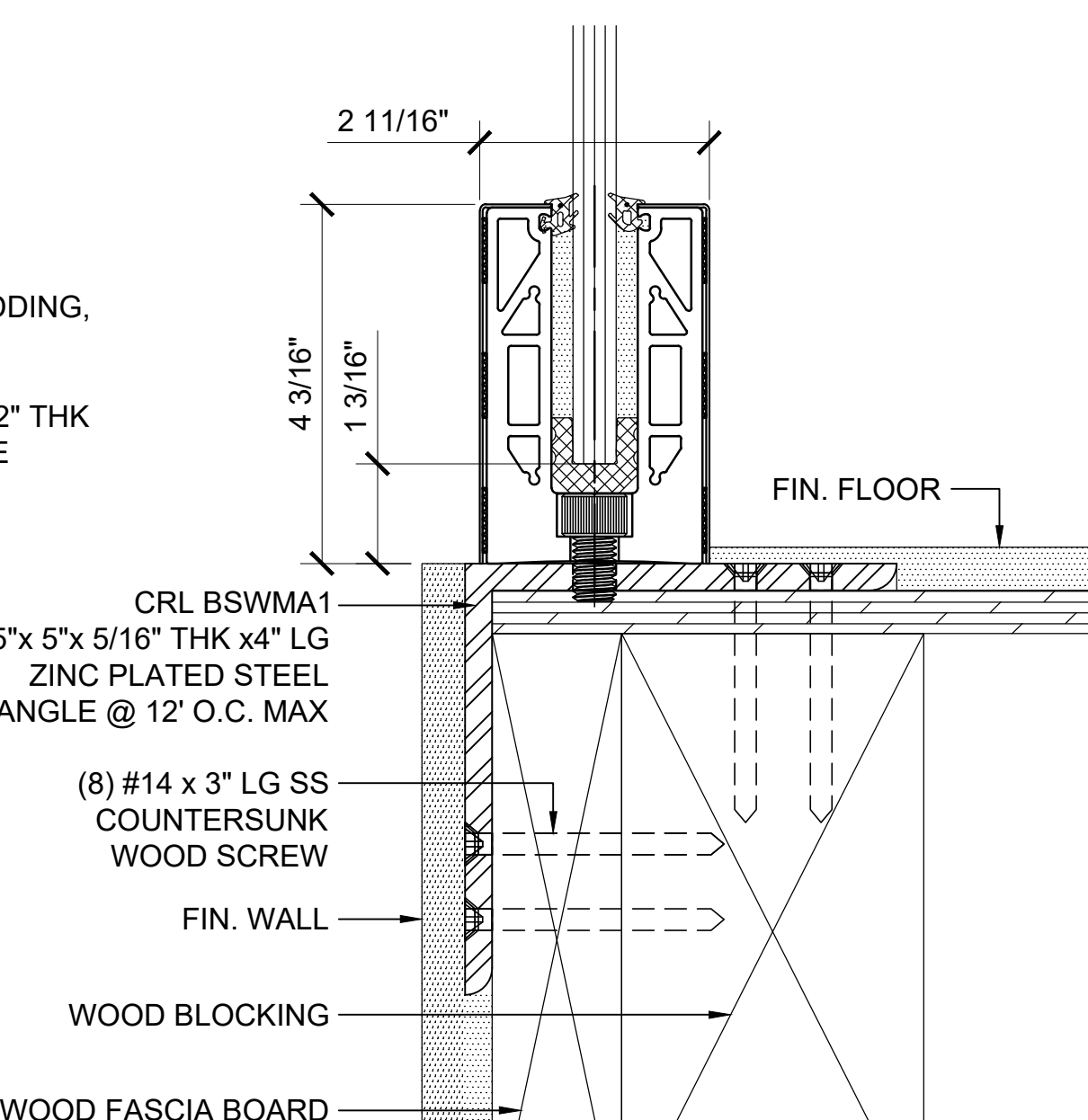
SURFACE MOUNT DETAIL STEEL SUBSTRATE

12" ON CENTER ANCHOR SPACING



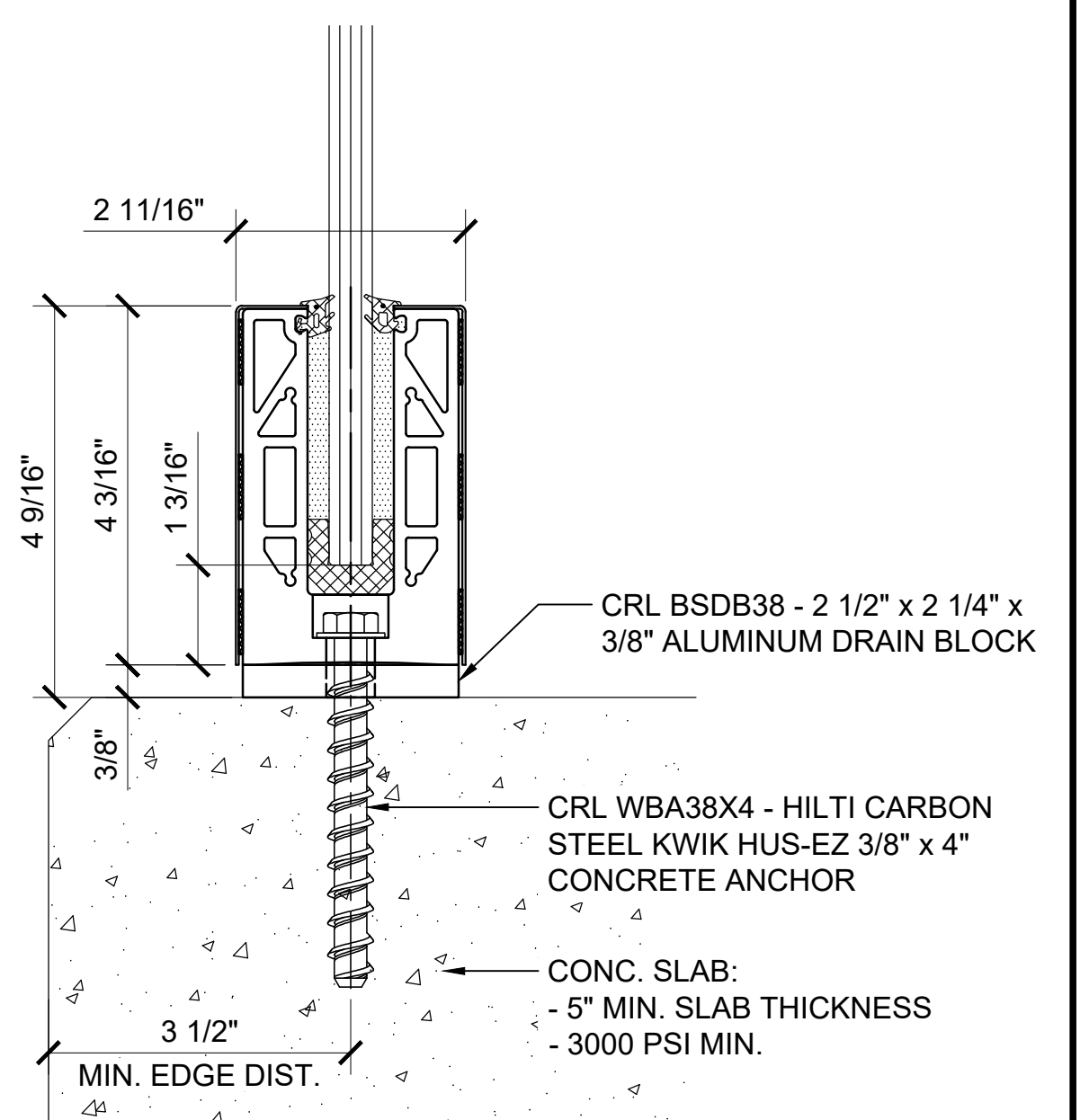
SURFACE MOUNT DETAIL STEEL SUBSTRATE W/ WELD BLOCK

12" ON CENTER ANCHOR SPACING



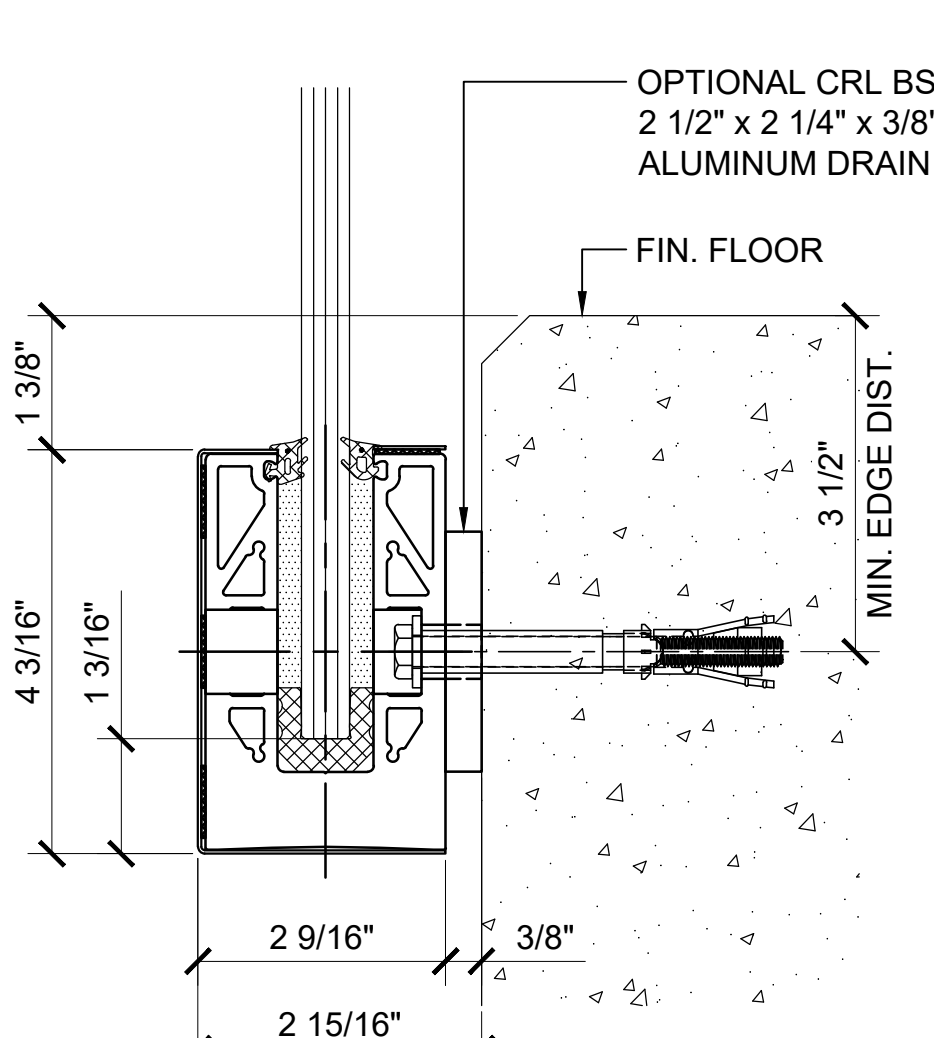
SURFACE MOUNT DETAIL WOOD SUBSTRATE

12" ON CENTER ANCHOR SPACING



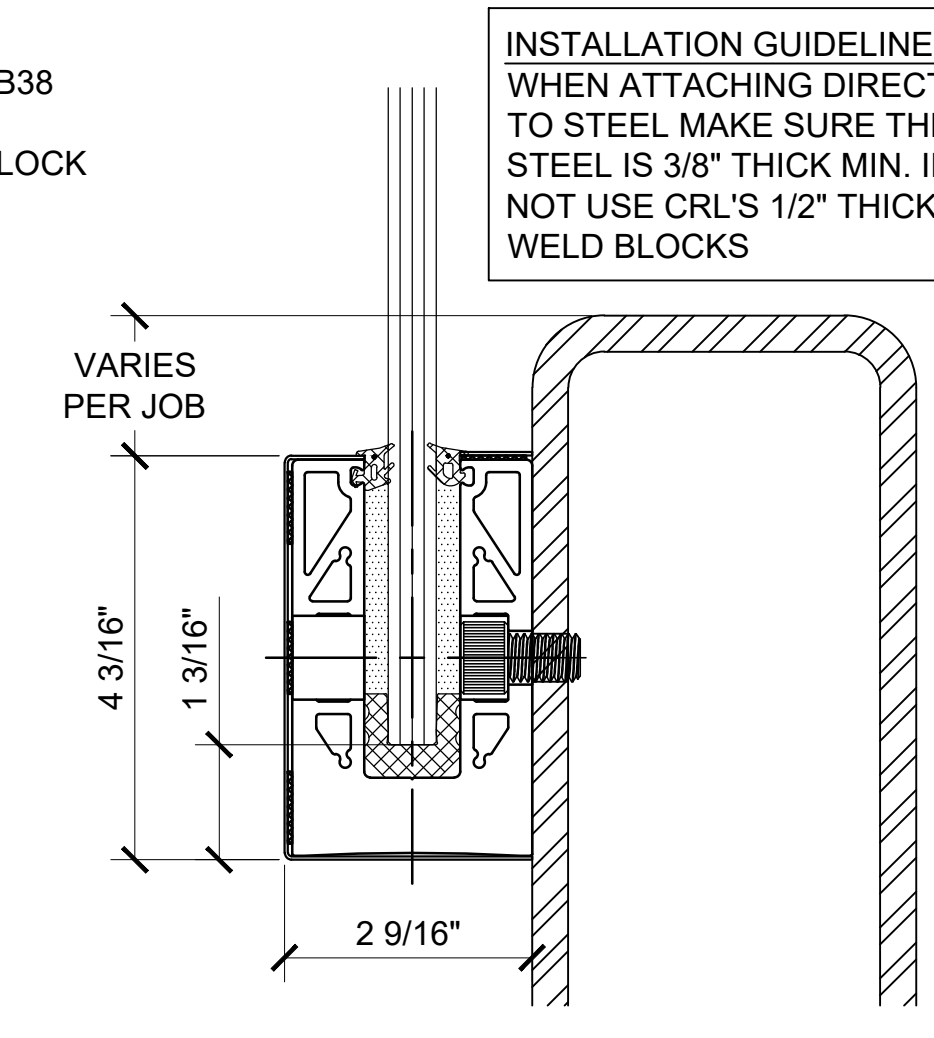
SURFACE MOUNT DETAIL CONCRETE SUBSTRATE W/ DRAIN BLOCK

ANCHOR SPACING WILL DEPEND ON MOUNTING SUBSTRATE AND REGION OF PROJECT



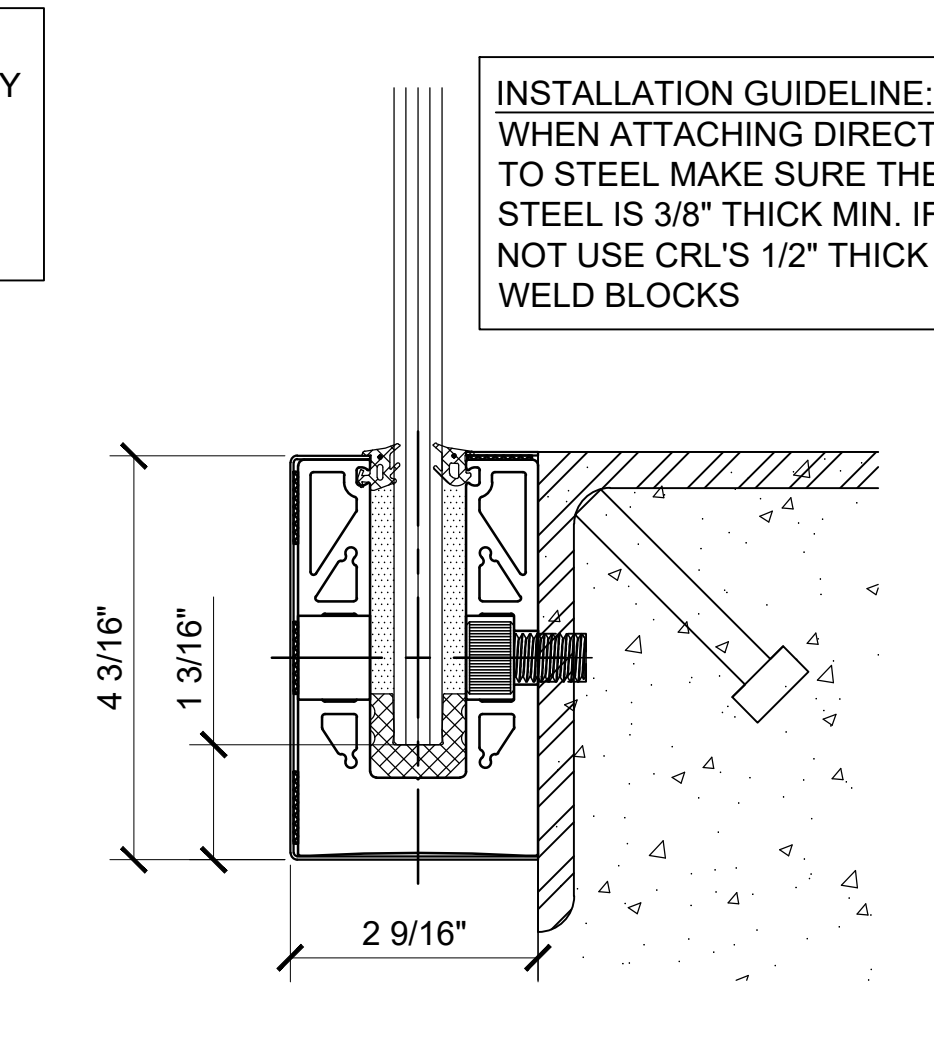
FASCIA MOUNT DETAIL CONCRETE SUBSTRATE

ANCHOR SPACING WILL DEPEND ON MOUNTING SUBSTRATE AND REGION OF PROJECT



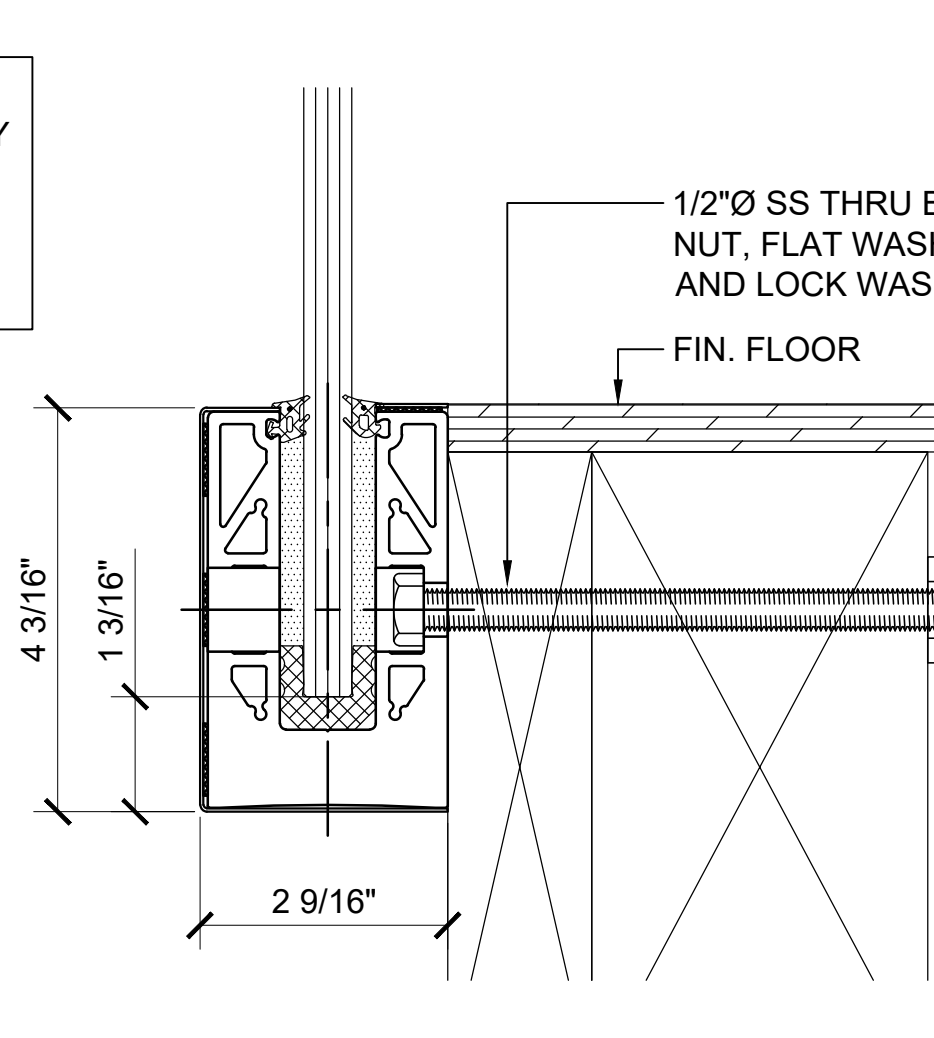
FASCIA MOUNT DETAIL STEEL SUBSTRATE

12" ON CENTER ANCHOR SPACING



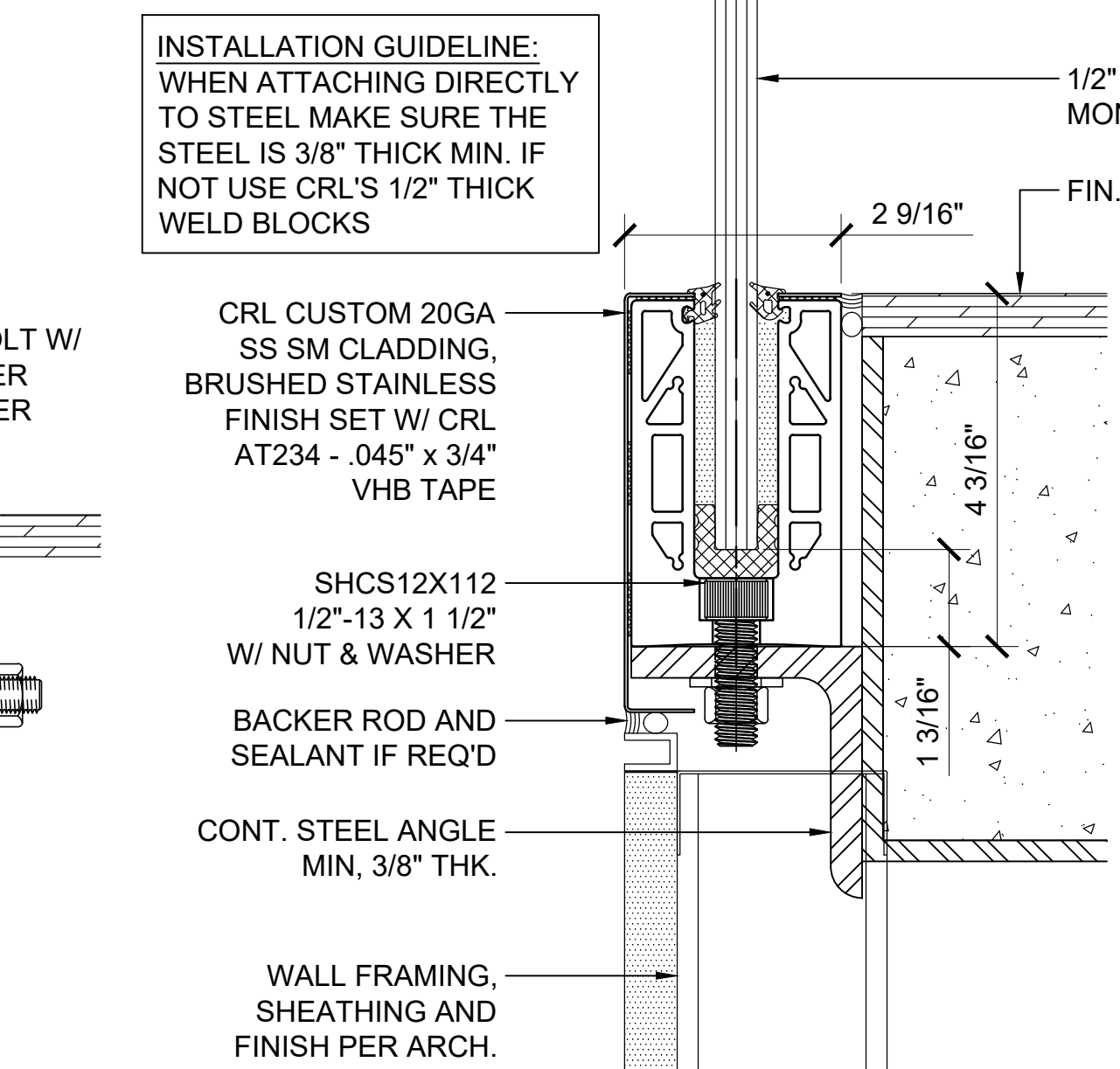
FASCIA MOUNT DETAIL STEEL SUBSTRATE

12" ON CENTER ANCHOR SPACING



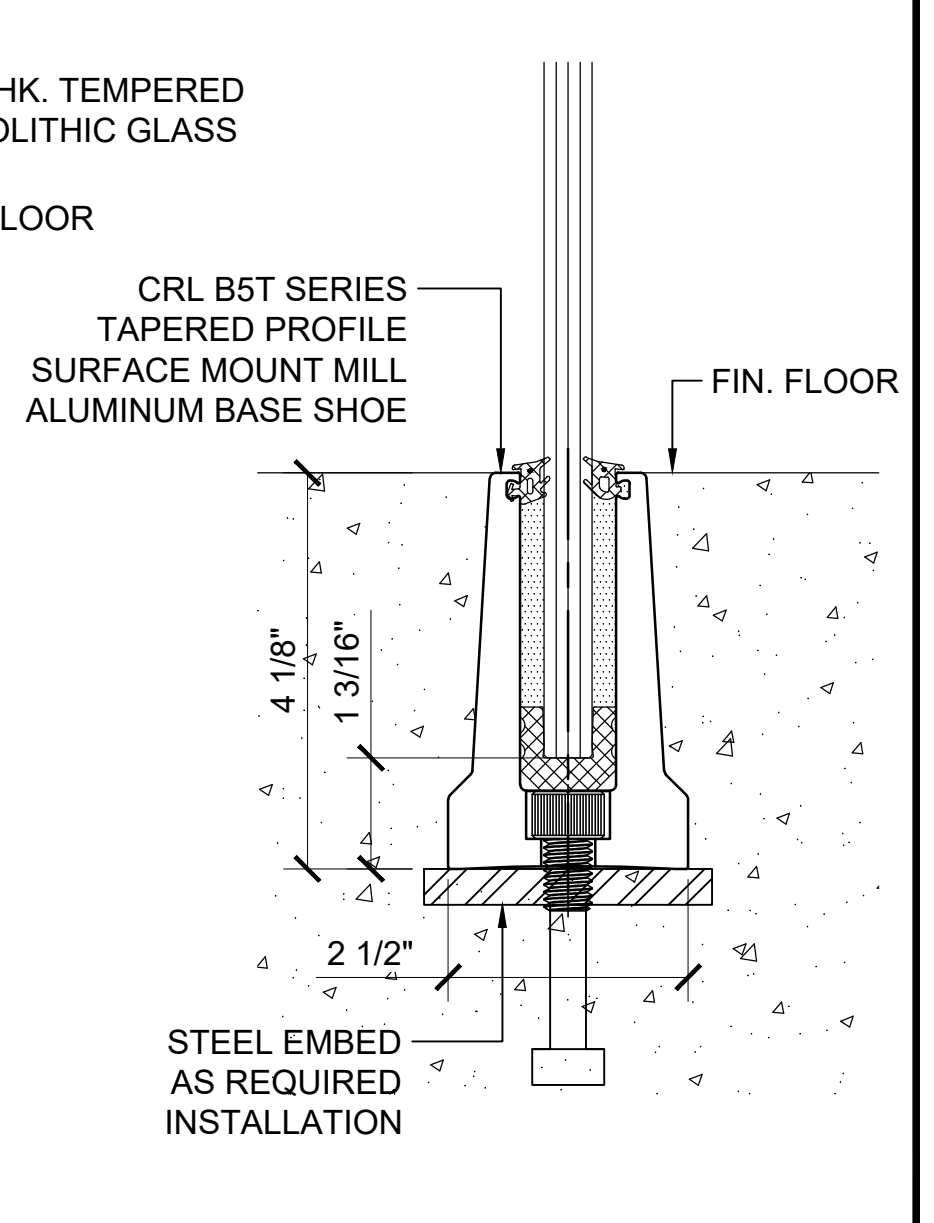
FASCIA MOUNT DETAIL WOOD SUBSTRATE

ANCHOR SPACING WILL DEPEND ON MOUNTING SUBSTRATE AND REGION OF PROJECT



SURFACE MOUNT DETAIL STEEL SUBSTRATE W/ CUSTOM CLADDING

12" ON CENTER ANCHOR SPACING



EMBED MOUNT CONCRETE SUBSTRATE

ANCHOR SPACING WILL DEPEND ON MOUNTING SUBSTRATE AND REGION OF PROJECT

INSTALLATION GUIDELINE: DURING THE INSTALLATION PROCESS MAKE SURE A CERTIFIED WELDER APPLIES A 1/4" CONTINUOUS FILLET WELD ON TWO SIDES OF THE WELD BLOCK

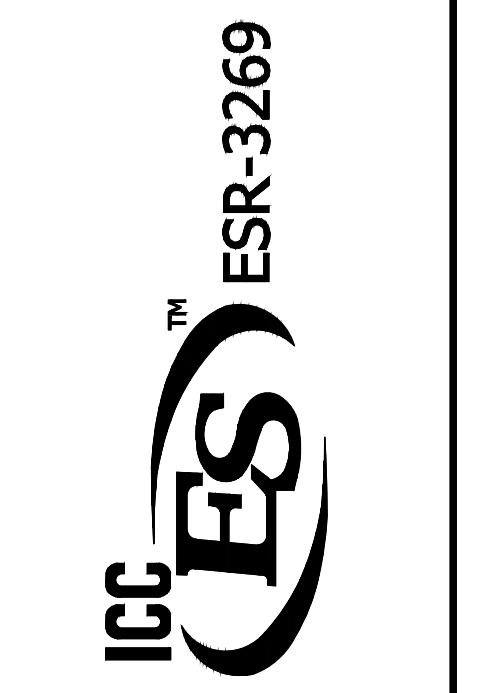
INSTALLATION GUIDELINE: WHEN ATTACHING DIRECTLY TO STEEL MAKE SURE THE STEEL IS 3/8" THICK MIN. IF NOT USE CRL'S 1/2" THICK WELD BLOCKS

INSTALLATION GUIDELINE: WHEN ATTACHING DIRECTLY TO STEEL MAKE SURE THE STEEL IS 3/8" THICK MIN. IF NOT USE CRL'S 1/2" THICK WELD BLOCKS

INSTALLATION GUIDELINE: WHEN ATTACHING DIRECTLY TO STEEL MAKE SURE THE STEEL IS 3/8" THICK MIN. IF NOT USE CRL'S 1/2" THICK WELD BLOCKS

INSTALLATION GUIDELINE: WHEN ATTACHING DIRECTLY TO STEEL MAKE SURE THE STEEL IS 3/8" THICK MIN. IF NOT USE CRL'S 1/2" THICK WELD BLOCKS

Revisions By:		
5	-	-
4	06/28/21	AB
3	06/05/18	VM
2	08/12/16	JG
1	02/08/16	JG

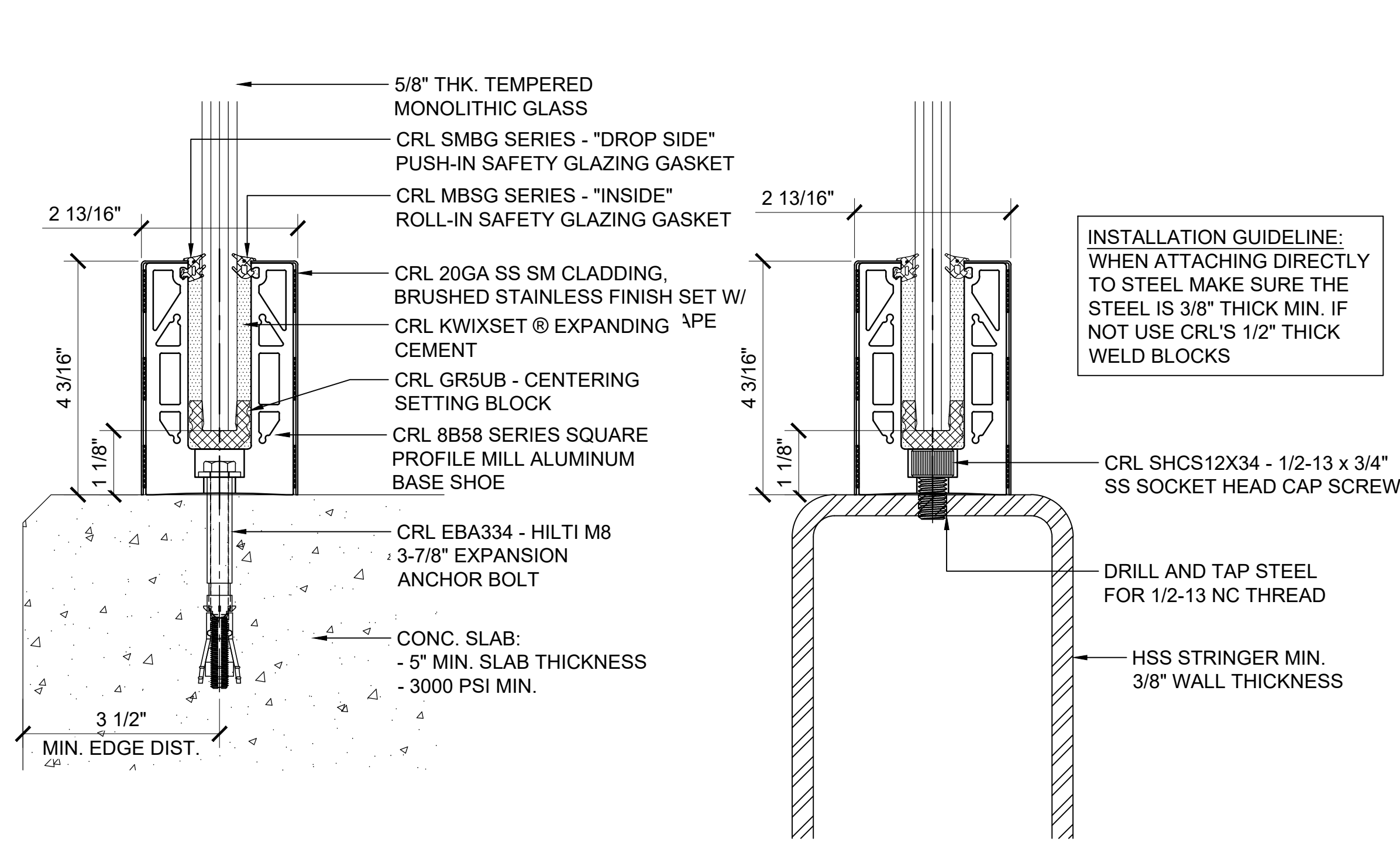


Description: GRS GLASS RAILING SYSTEM WET GLAZED FOR TEMPERED MONOLITHIC 1/2", 5/8" & 3/4" THK. GLASS

ELEVATIONS AND DETAILS SURFACE MOUNT AND FASCIA MOUNT OPTIONS

Drawn By: JG
Date: 12/15/2015
Scale: AS NOTED
File Name: CRL GRS Monolithic Glass Railing System.dwg
Sheet

TYPICAL BASE SHOE ATTACHMENTS USING THE 8B58 SERIES BASE SHOE WITH TAPER-LOC® SYSTEM

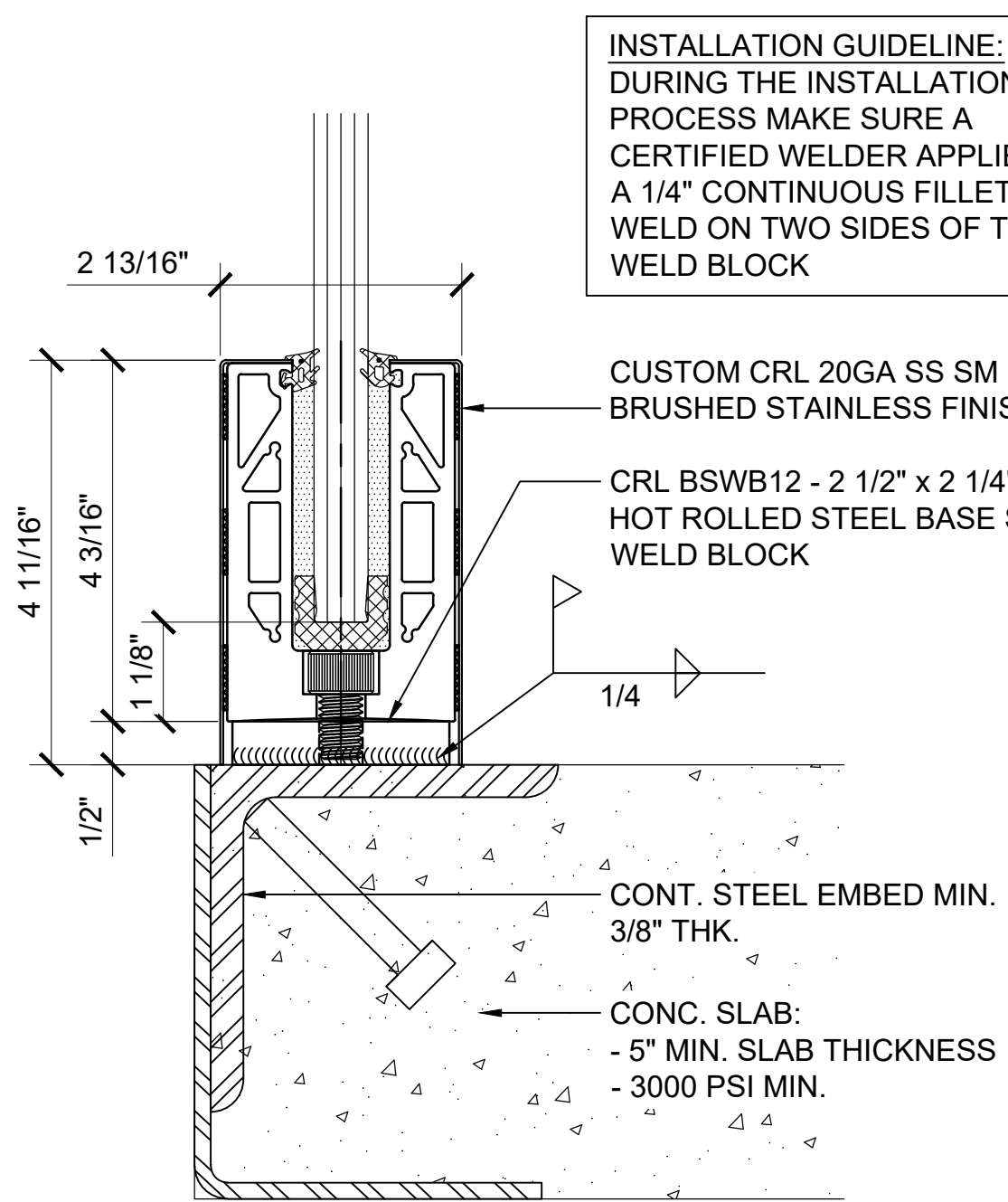


**SURFACE MOUNT DETAIL
CONCRETE SUBSTRATE**

ANCHOR SPACING WILL DEPEND ON MOUNTING SUBSTRATE AND REGION OF PROJECT

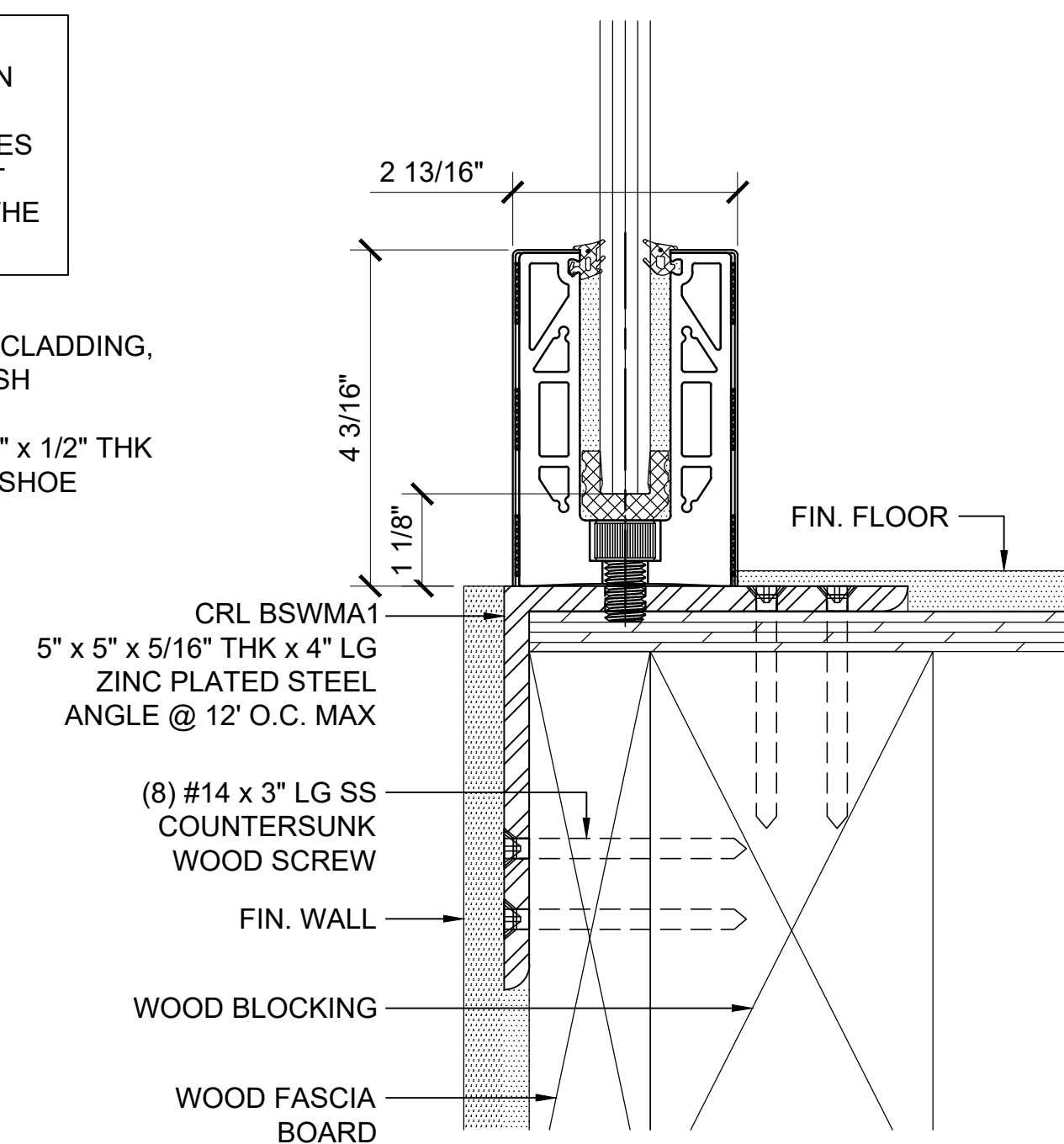
**SURFACE MOUNT DETAIL
STEEL SUBSTRATE**

12" ON CENTER ANCHOR SPACING



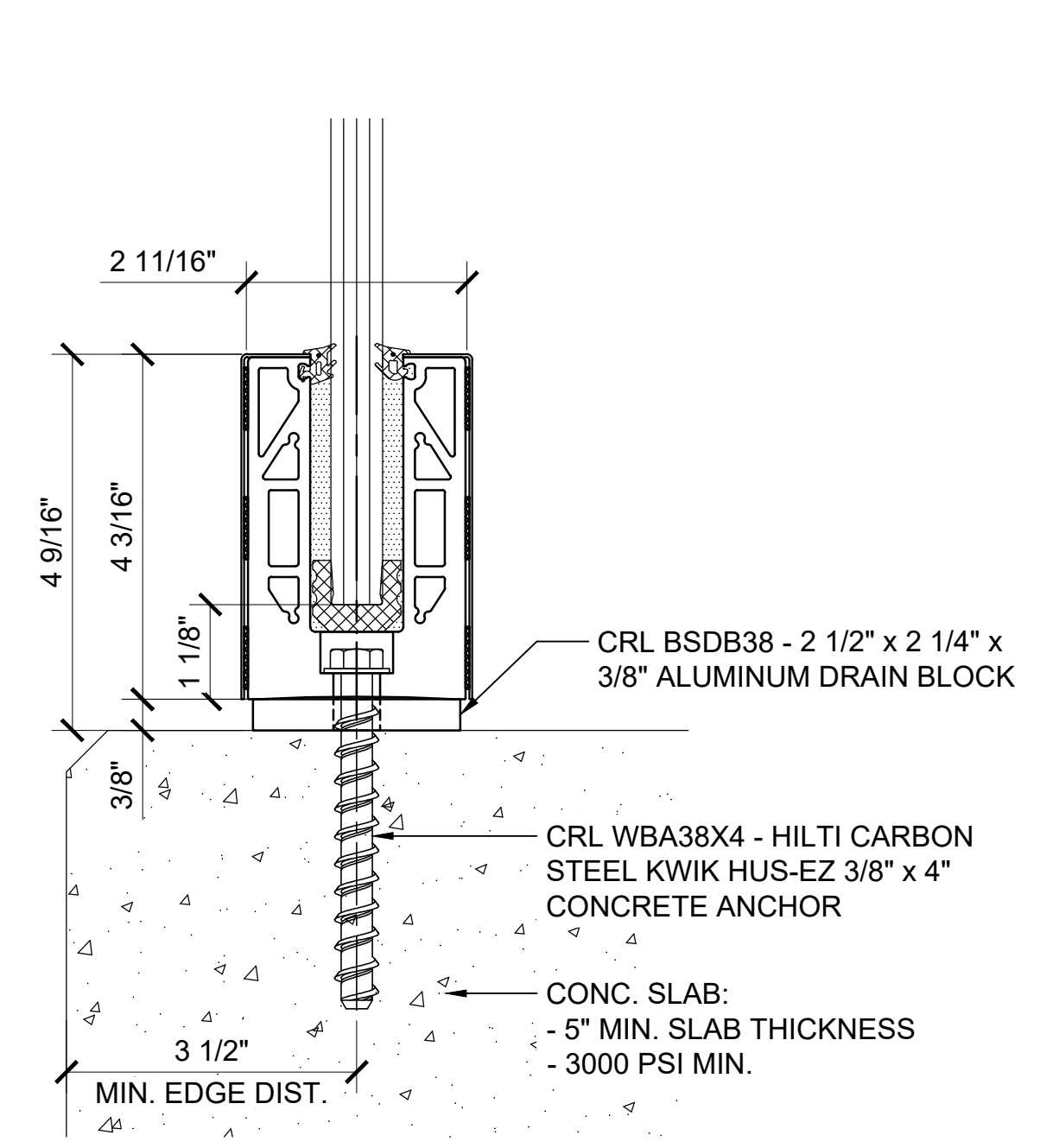
**SURFACE MOUNT DETAIL
STEEL SUBSTRATE W/ WELD BLOCK**

12" ON CENTER ANCHOR SPACING



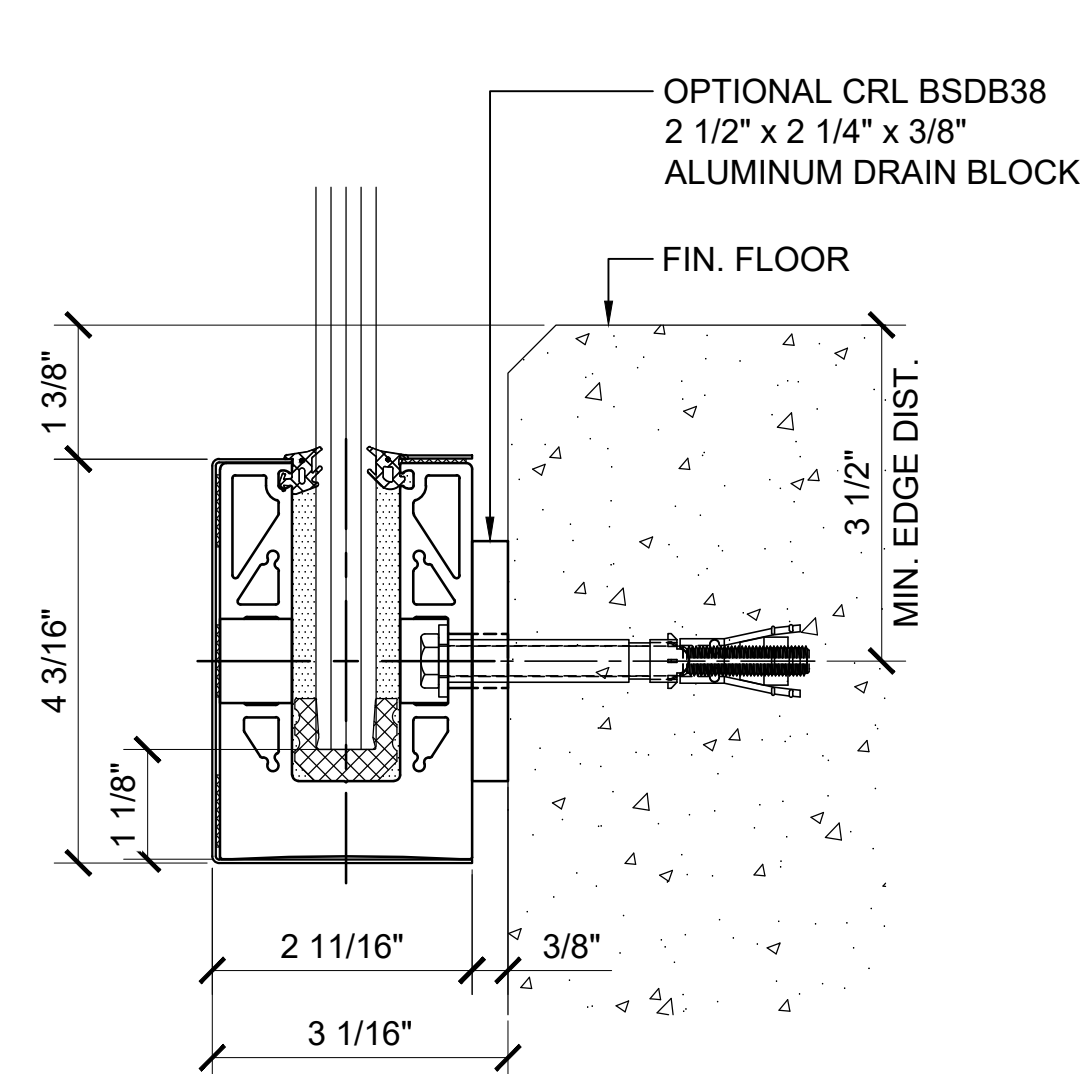
**SURFACE MOUNT DETAIL
WOOD SUBSTRATE**

12" ON CENTER ANCHOR SPACING



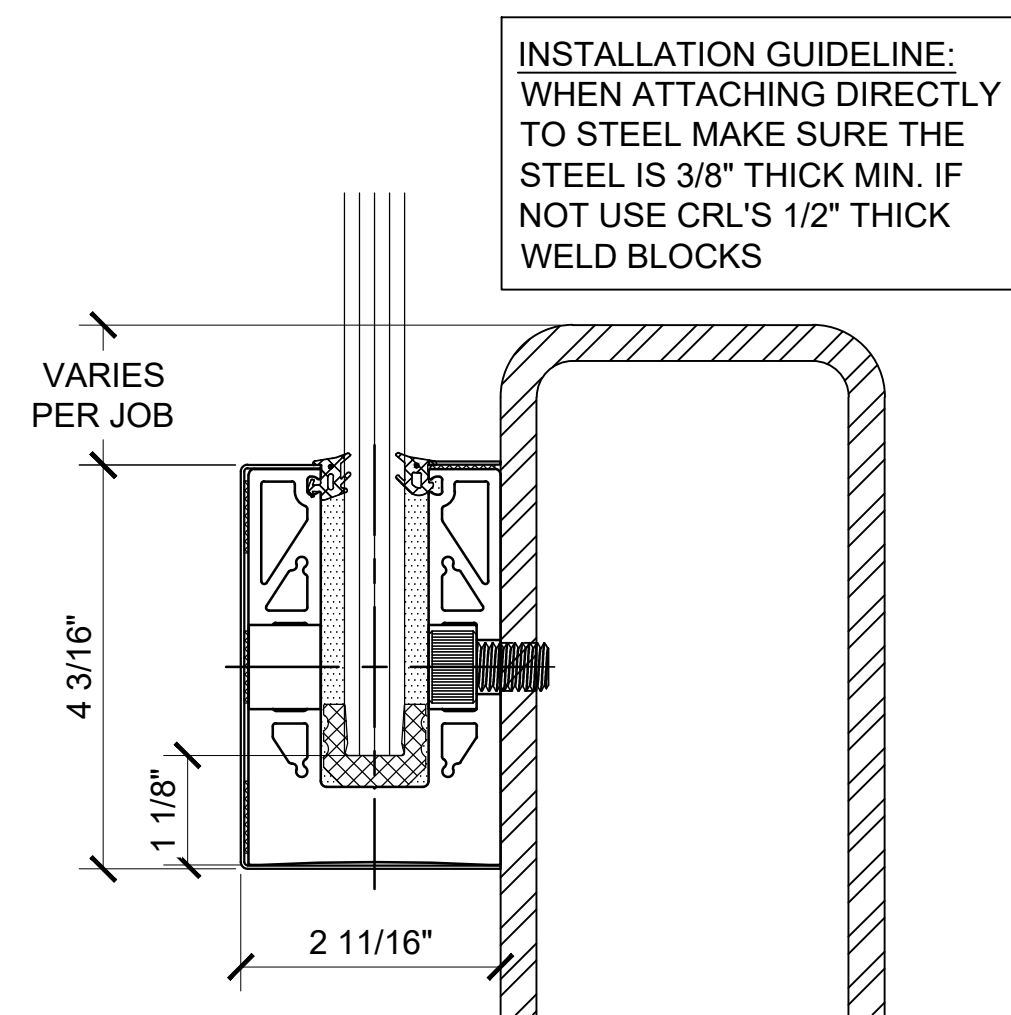
**SURFACE MOUNT DETAIL
CONCRETE SUBSTRATE W/ DRAIN BLOCK**

ANCHOR SPACING WILL DEPEND ON MOUNTING SUBSTRATE AND REGION OF PROJECT



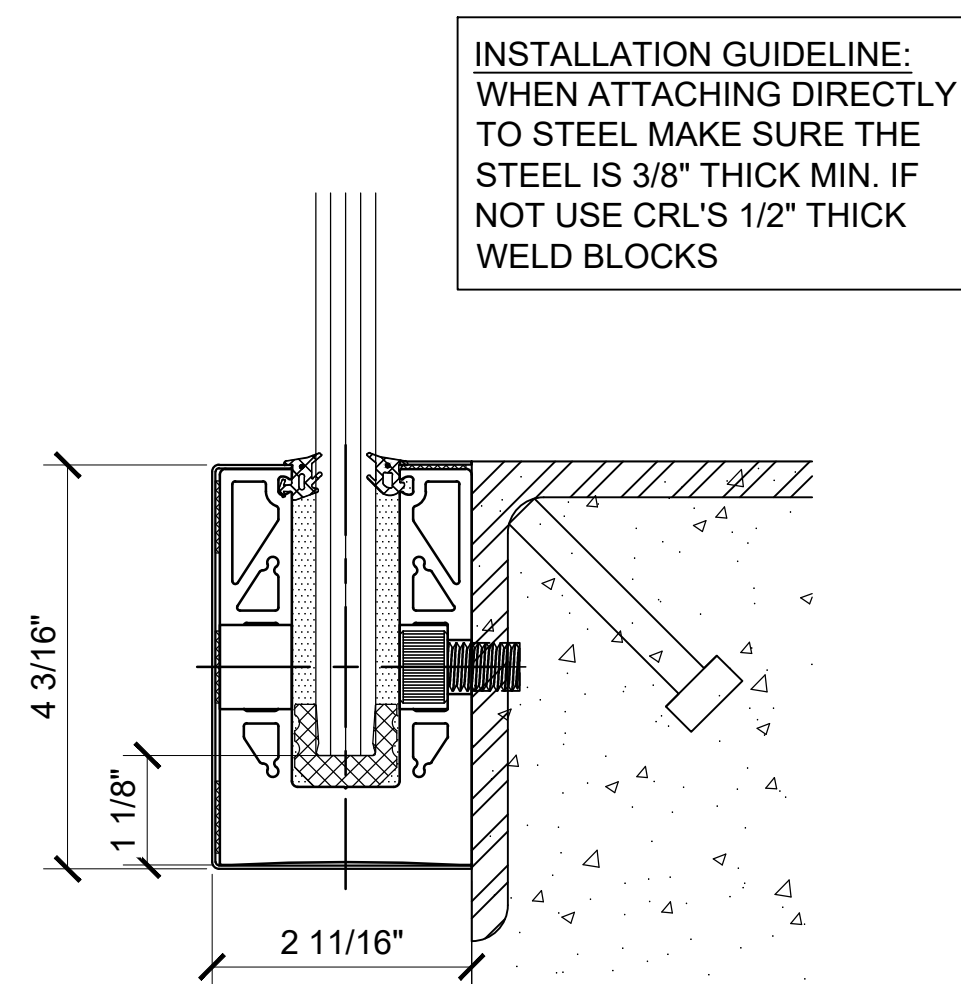
**FASCIA MOUNT DETAIL
CONCRETE SUBSTRATE**

ANCHOR SPACING WILL DEPEND ON MOUNTING SUBSTRATE AND REGION OF PROJECT



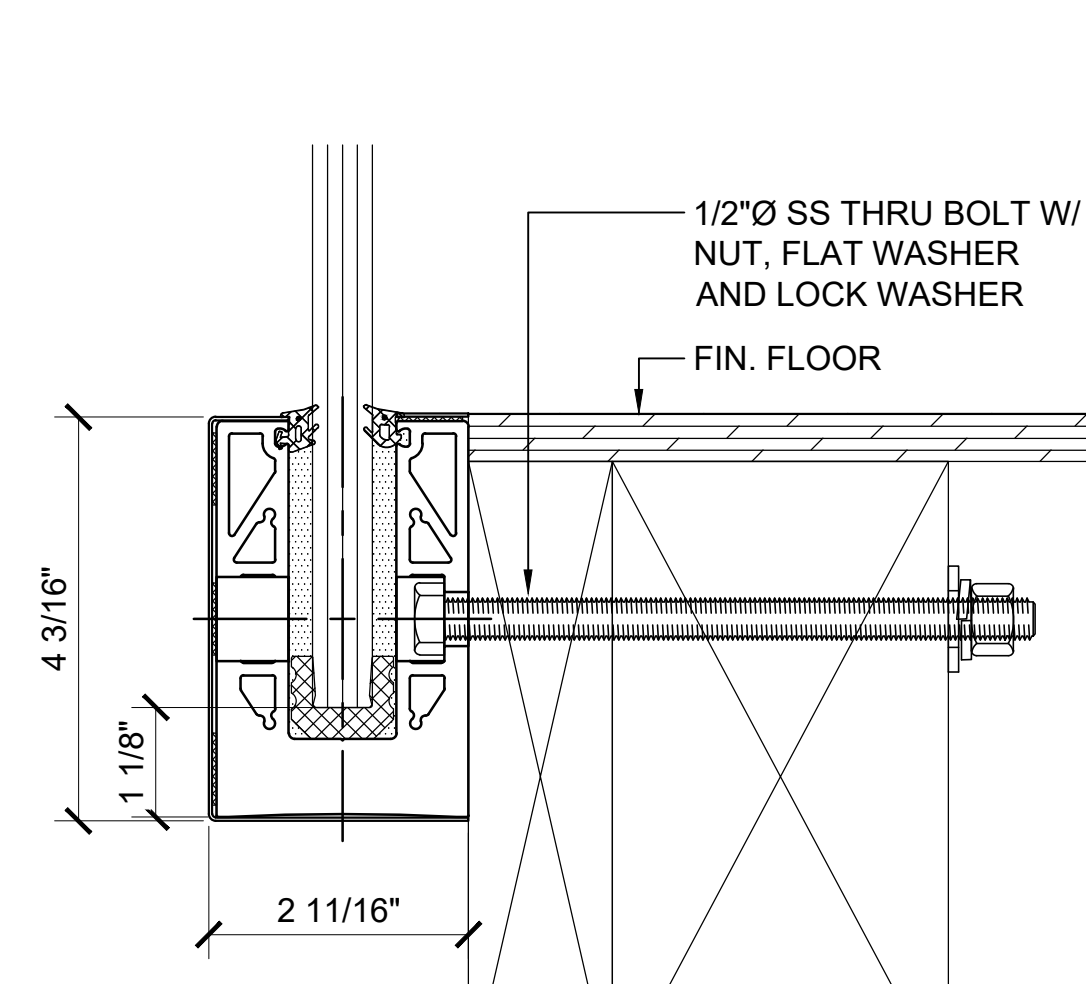
**FASCIA MOUNT DETAIL
STEEL SUBSTRATE**

12" ON CENTER ANCHOR SPACING



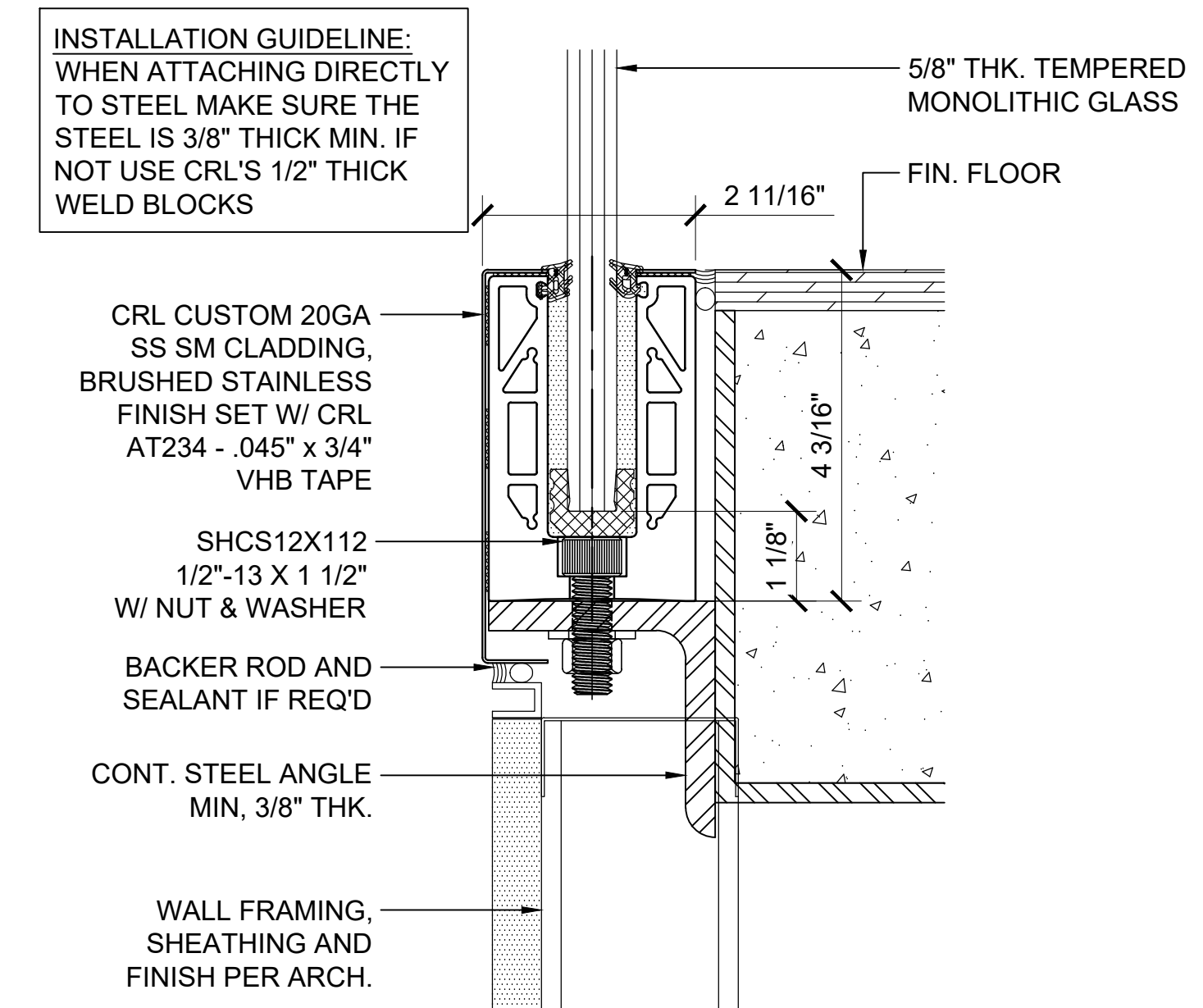
**FASCIA MOUNT DETAIL
STEEL SUBSTRATE**

12" ON CENTER ANCHOR SPACING



**FASCIA MOUNT DETAIL
WOOD SUBSTRATE**

ANCHOR SPACING WILL DEPEND ON MOUNTING SUBSTRATE AND REGION OF PROJECT



**SURFACE MOUNT DETAIL
STEEL SUBSTRATE W/ CUSTOM CLADDING**

12" ON CENTER ANCHOR SPACING

Revisions By:

5	-	-
4	06/28/21	AB
3	06/05/18	VM
2	08/12/16	JG
1	02/08/16	JG

CRL

2503 E. Vernon Avenue, Los Angeles, CA 90058-1897
PH (800)-421-6144 FX: 800-587-7501 www.crlaurence.com

ICC ESR-3269

Description:
GRS
GLASS RAILING SYSTEM
WET GLAZED
FOR TEMPERED MONOLITHIC
1/2", 5/8" & 3/4" THK. GLASS

ELEVATIONS AND DETAILS
SURFACE MOUNT AND
FASCIA MOUNT OPTIONS

Drawn By: JG

Date: 12/15/2015

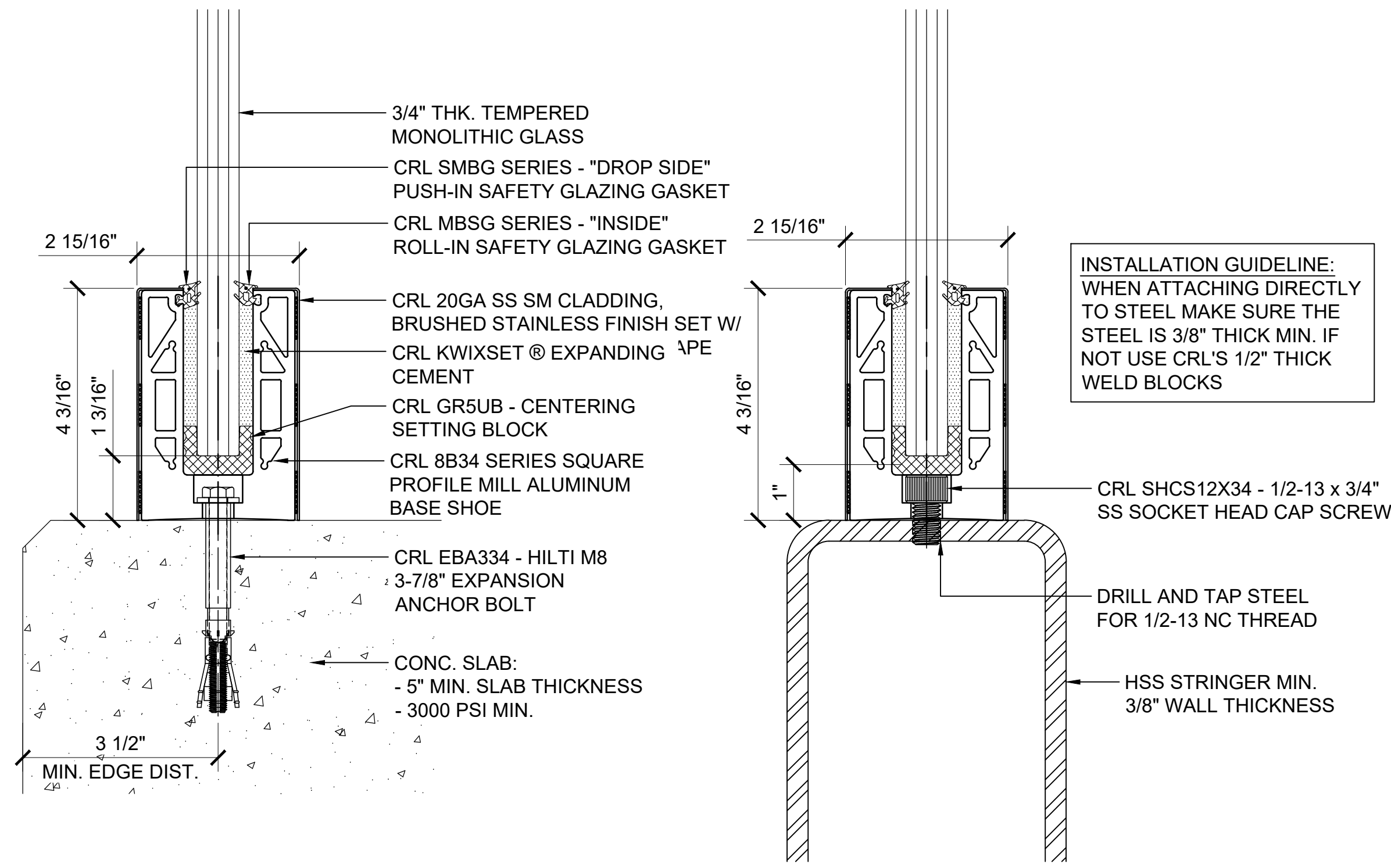
Scale: AS NOTED

File Name:

CRL GRS Monolithic Glass Railing System.dwg

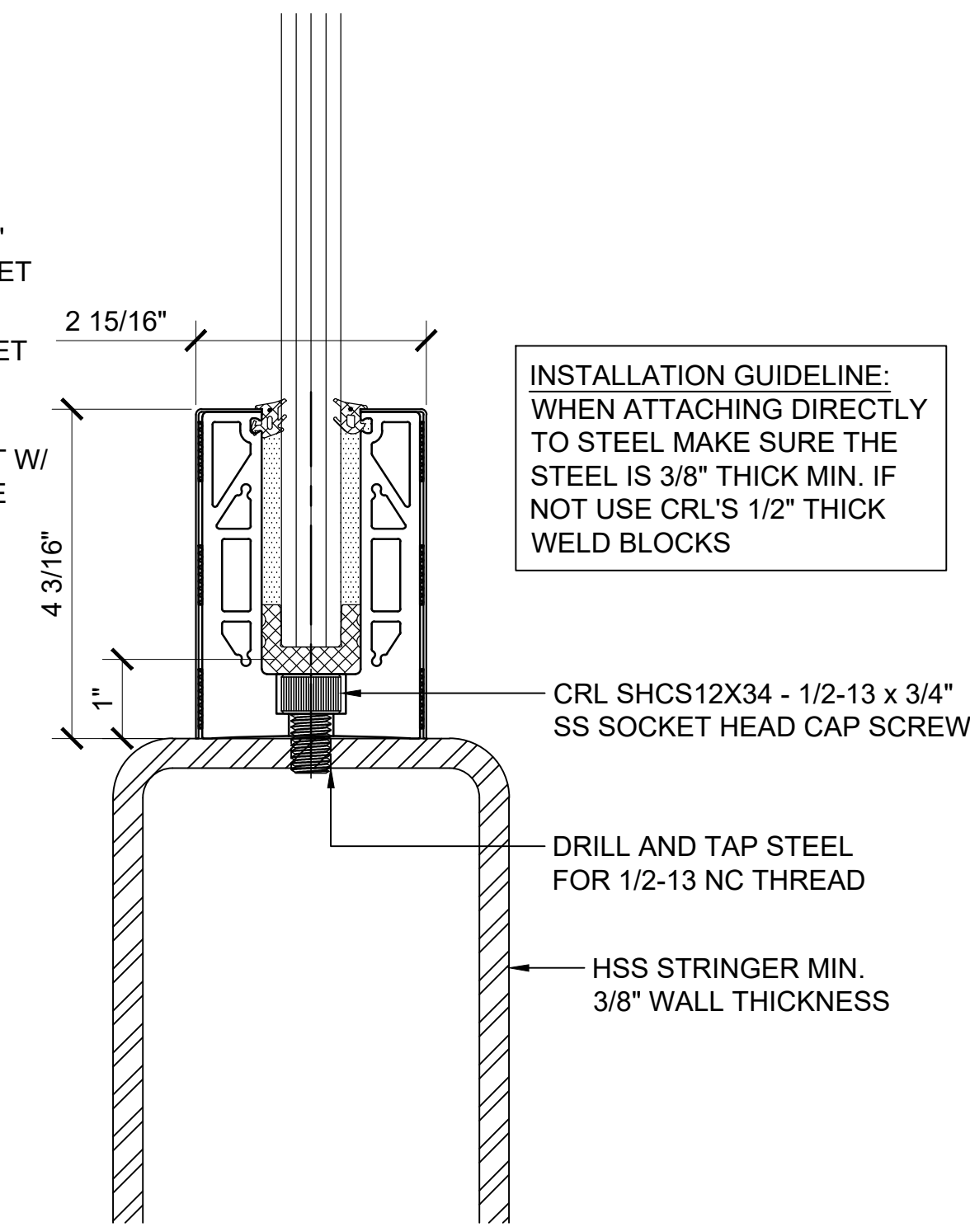
Sheet

TYPICAL BASE SHOE ATTACHMENTS USING THE 8B34 SERIES BASE SHOE WITH TAPER-LOC® SYSTEM



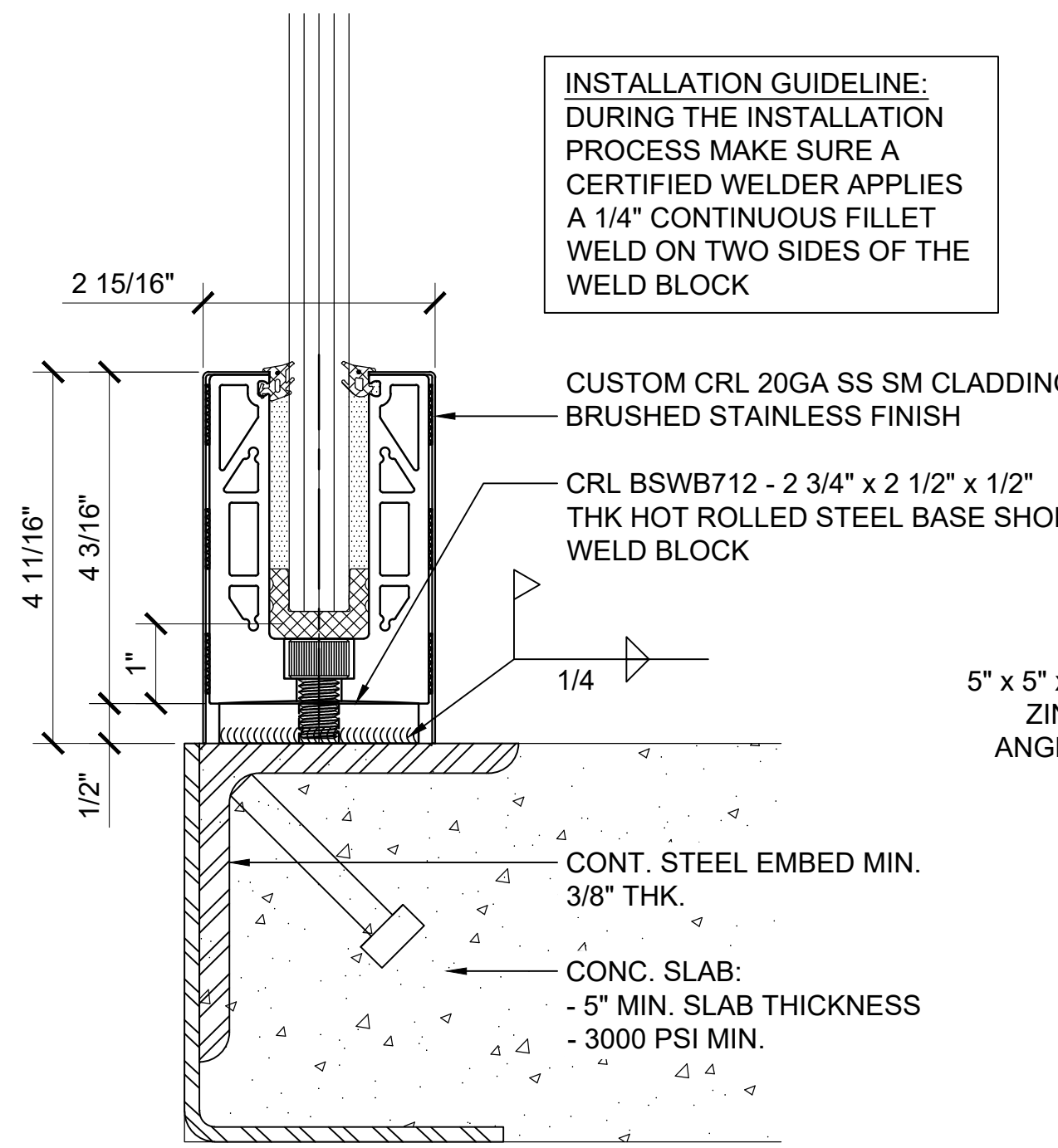
**SURFACE MOUNT DETAIL
CONCRETE SUBSTRATE**

ANCHOR SPACING WILL DEPEND ON MOUNTING SUBSTRATE AND REGION OF PROJECT



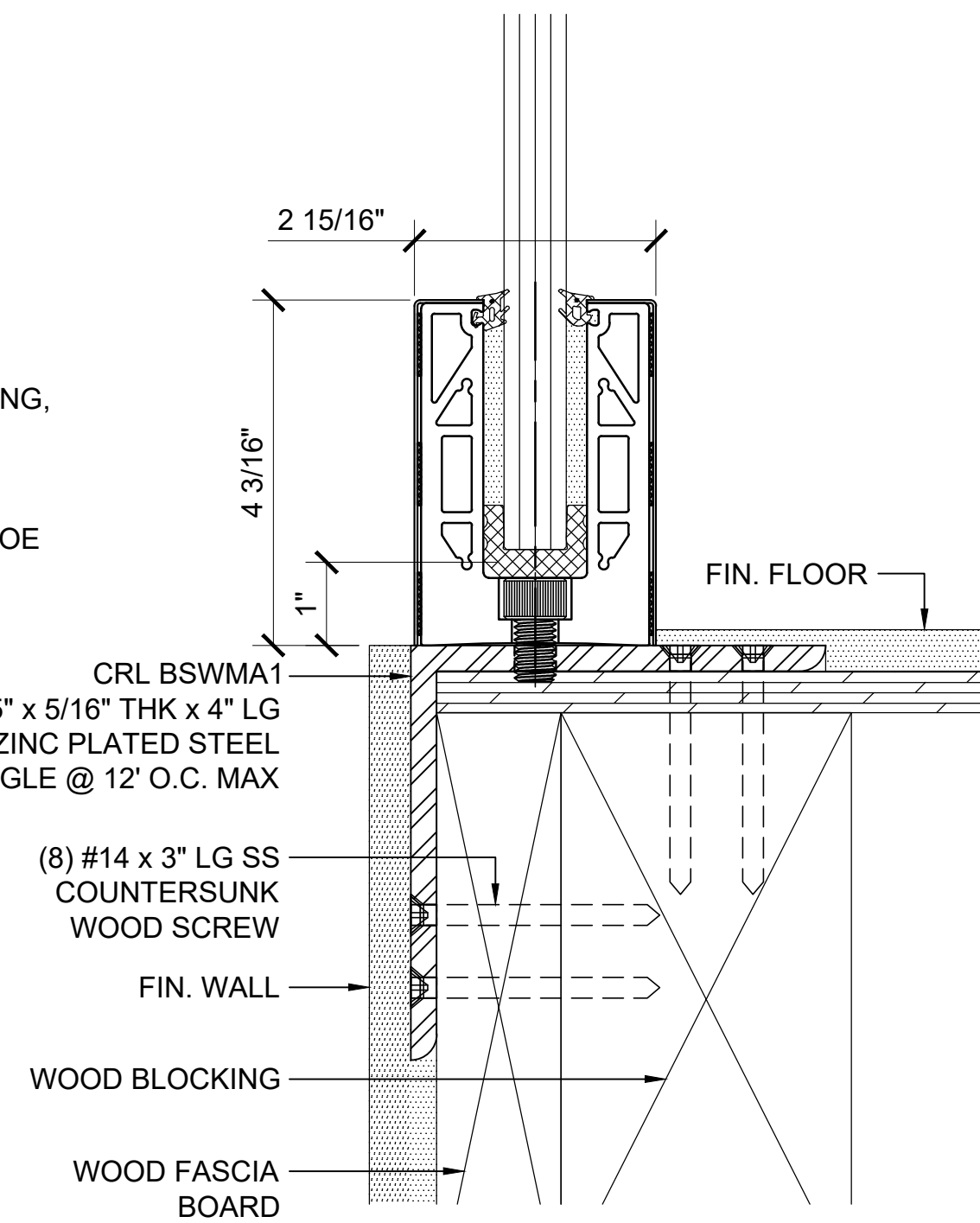
**SURFACE MOUNT DETAIL
STEEL SUBSTRATE**

12" ON CENTER ANCHOR SPACING



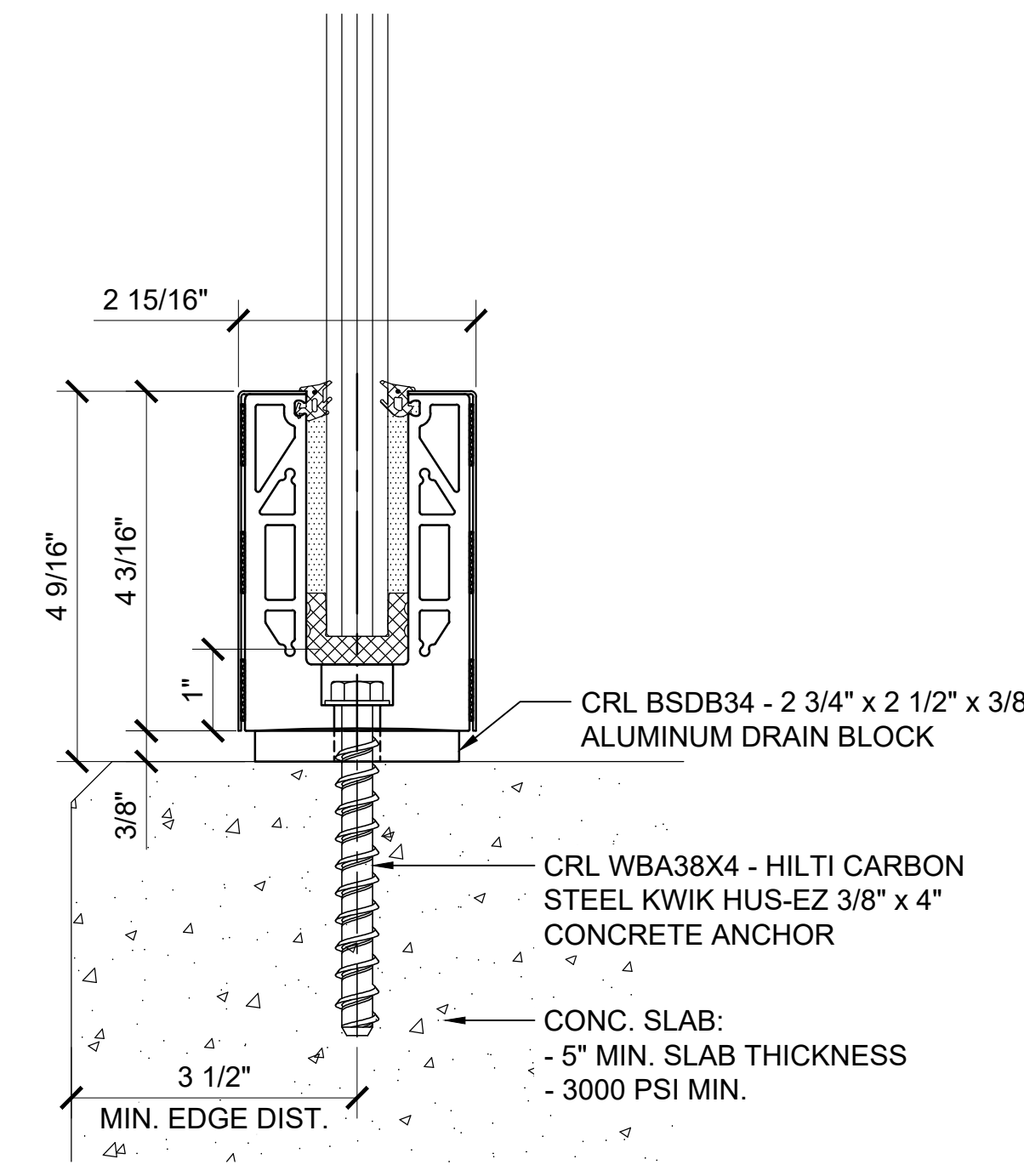
**SURFACE MOUNT DETAIL
STEEL SUBSTRATE W/ WELD BLOCK**

12" ON CENTER ANCHOR SPACING



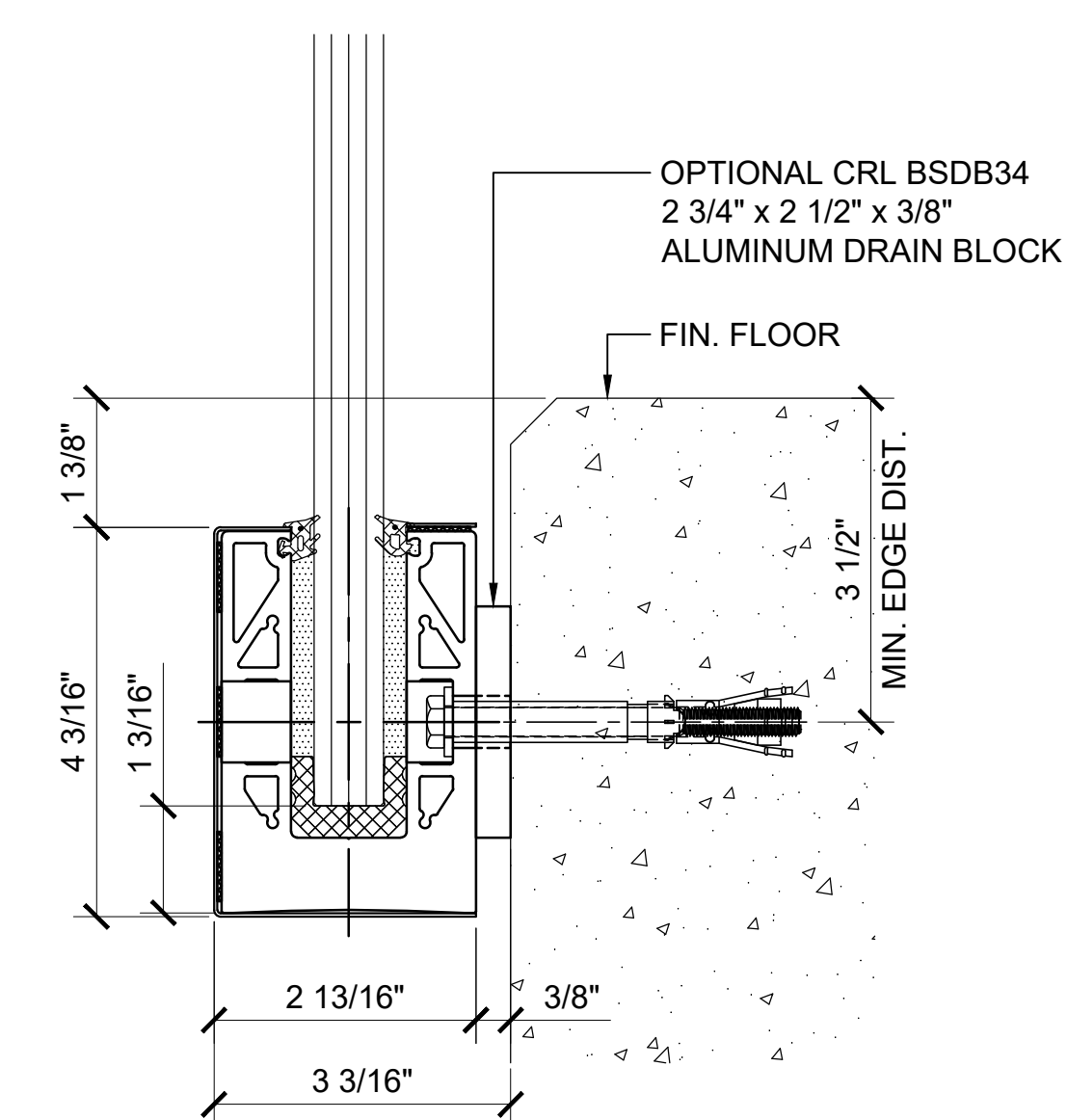
**SURFACE MOUNT DETAIL
WOOD SUBSTRATE**

12" ON CENTER ANCHOR SPACING



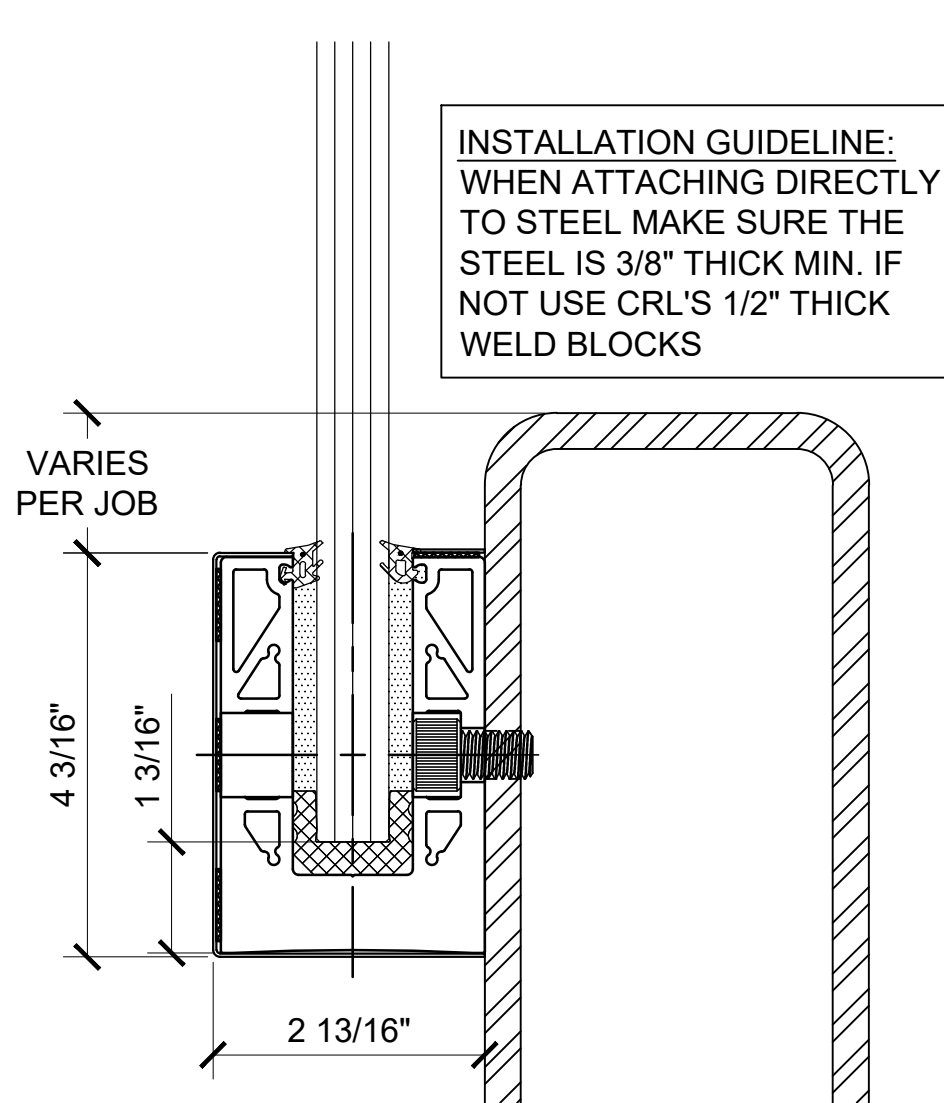
**SURFACE MOUNT DETAIL
CONCRETE SUBSTRATE W/ DRAIN BLOCK**

ANCHOR SPACING WILL DEPEND ON MOUNTING SUBSTRATE AND REGION OF PROJECT



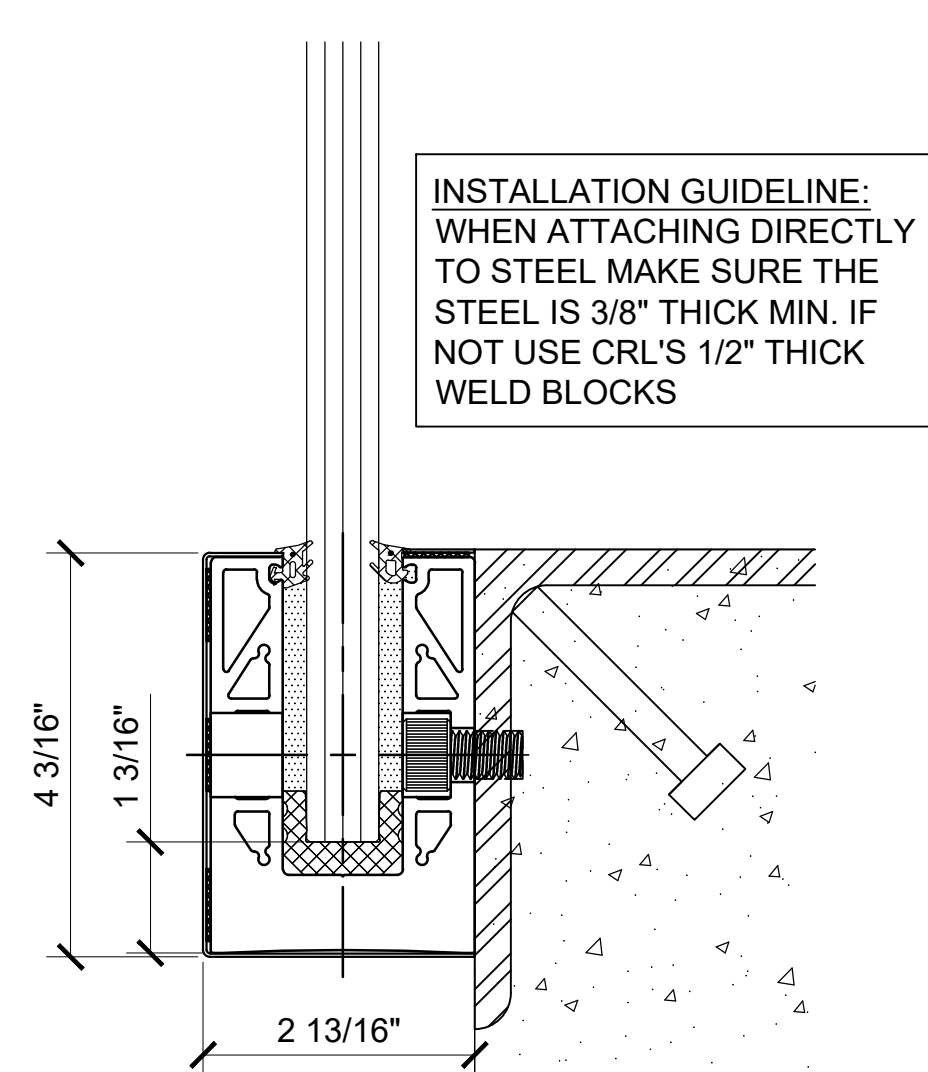
**FASCIA MOUNT DETAIL
CONCRETE SUBSTRATE**

ANCHOR SPACING WILL DEPEND ON MOUNTING SUBSTRATE AND REGION OF PROJECT



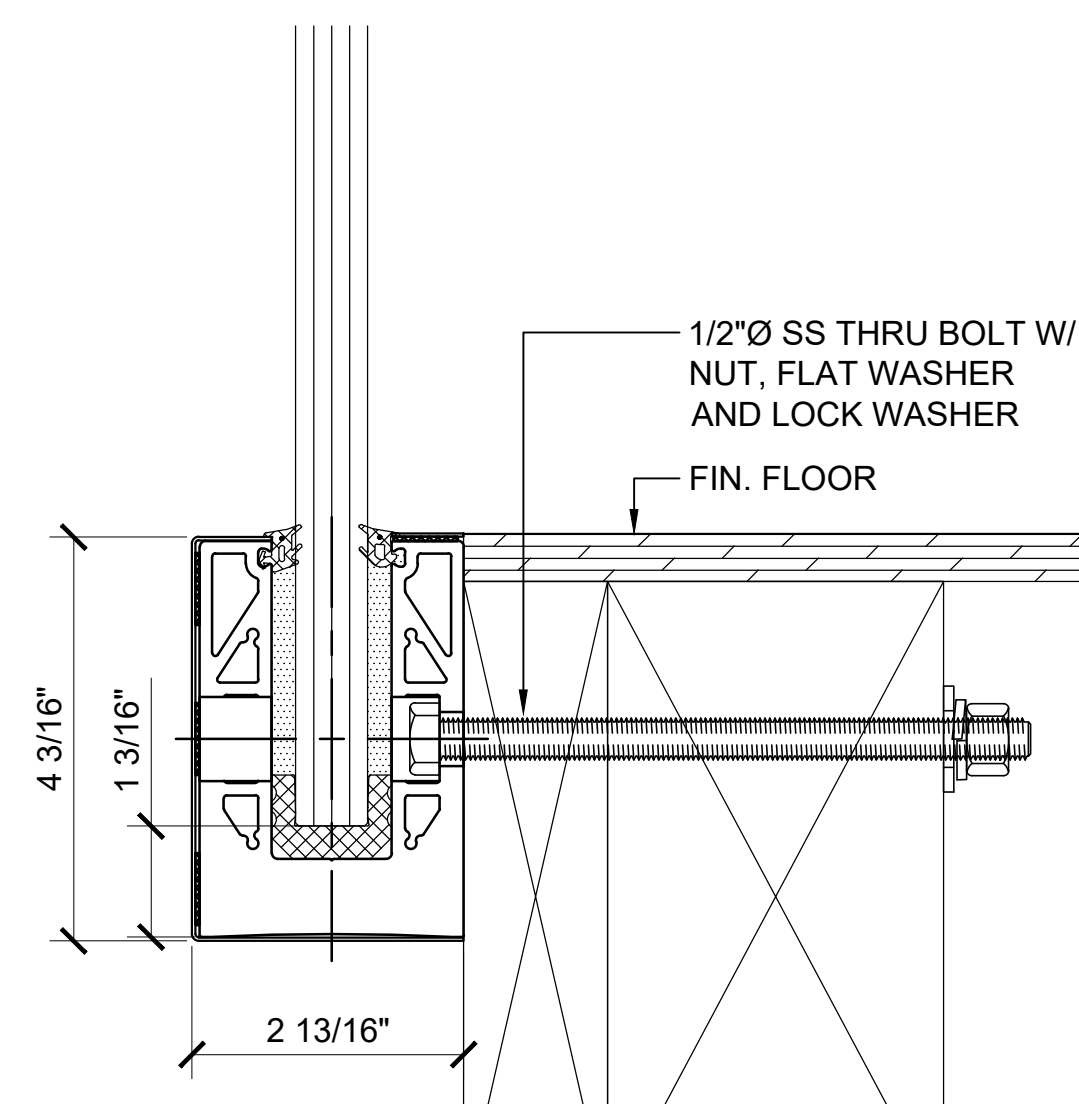
**FASCIA MOUNT DETAIL
STEEL SUBSTRATE**

12" ON CENTER ANCHOR SPACING



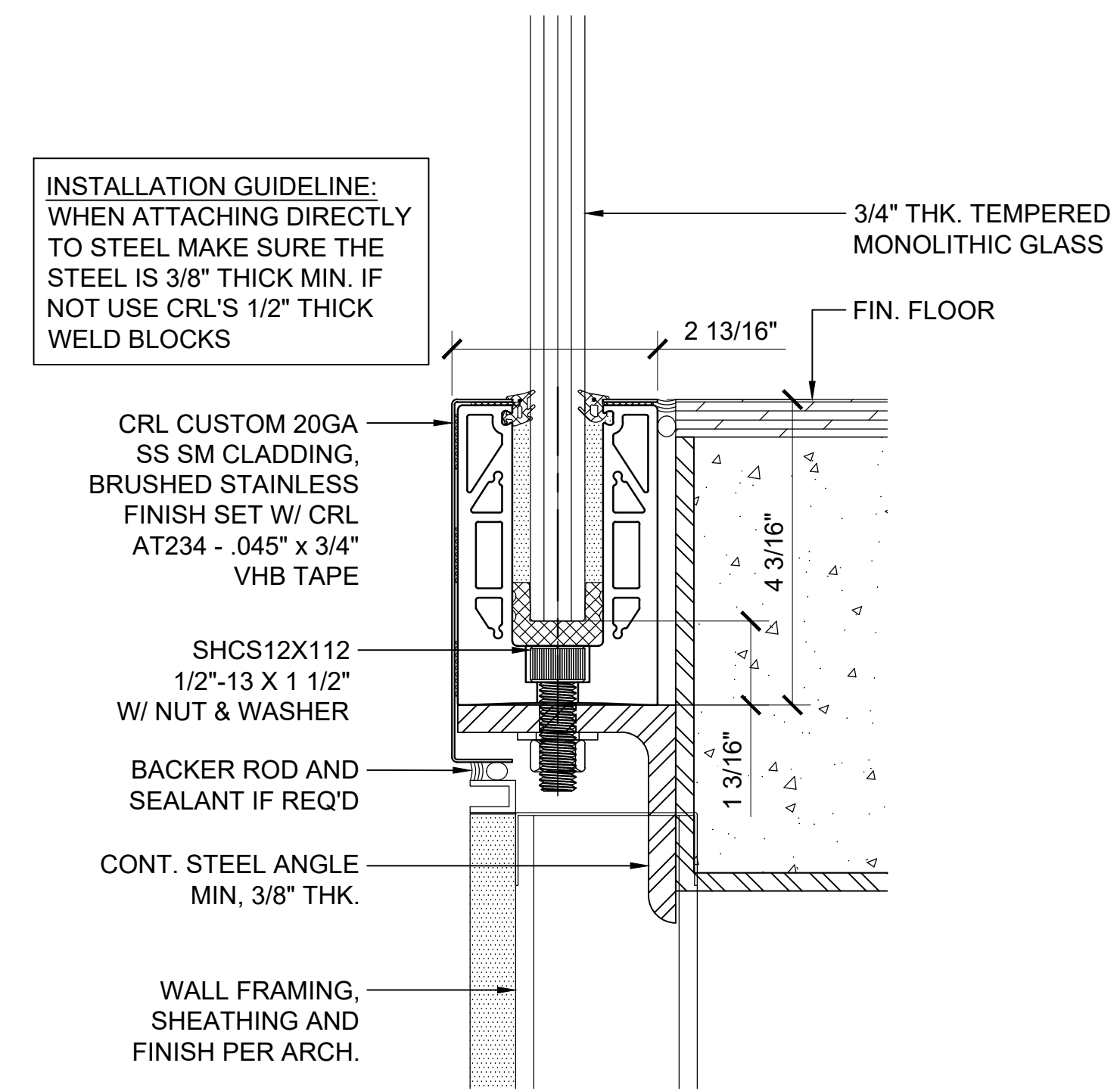
**FASCIA MOUNT DETAIL
STEEL SUBSTRATE**

12" ON CENTER ANCHOR SPACING



**FASCIA MOUNT DETAIL
WOOD SUBSTRATE**

ANCHOR SPACING WILL DEPEND ON MOUNTING SUBSTRATE AND REGION OF PROJECT



**SURFACE MOUNT DETAIL
STEEL SUBSTRATE W/ CUSTOM CLADDING**

12" ON CENTER ANCHOR SPACING

Revisions By:

5	-	-
4	06/28/21	AB
3	06/05/18	VM
2	08/12/16	JG
1	02/08/16	JG

CRL

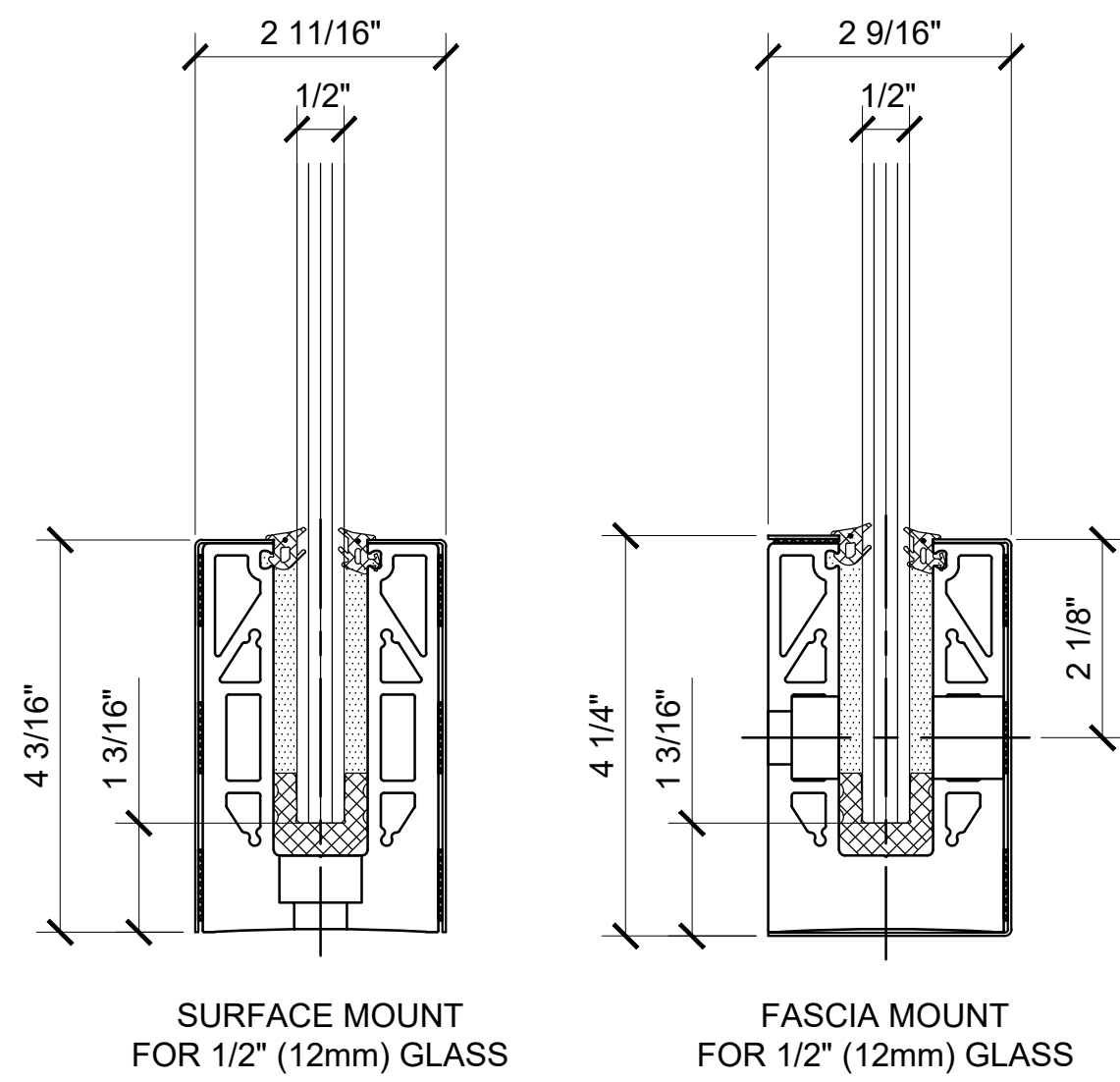
2503 E. Vernon Avenue, Los Angeles, CA 90058-1897
PH (800)-421-6144 FX: 800-567-7501 www.crlusa.com

ICC ESR-3269

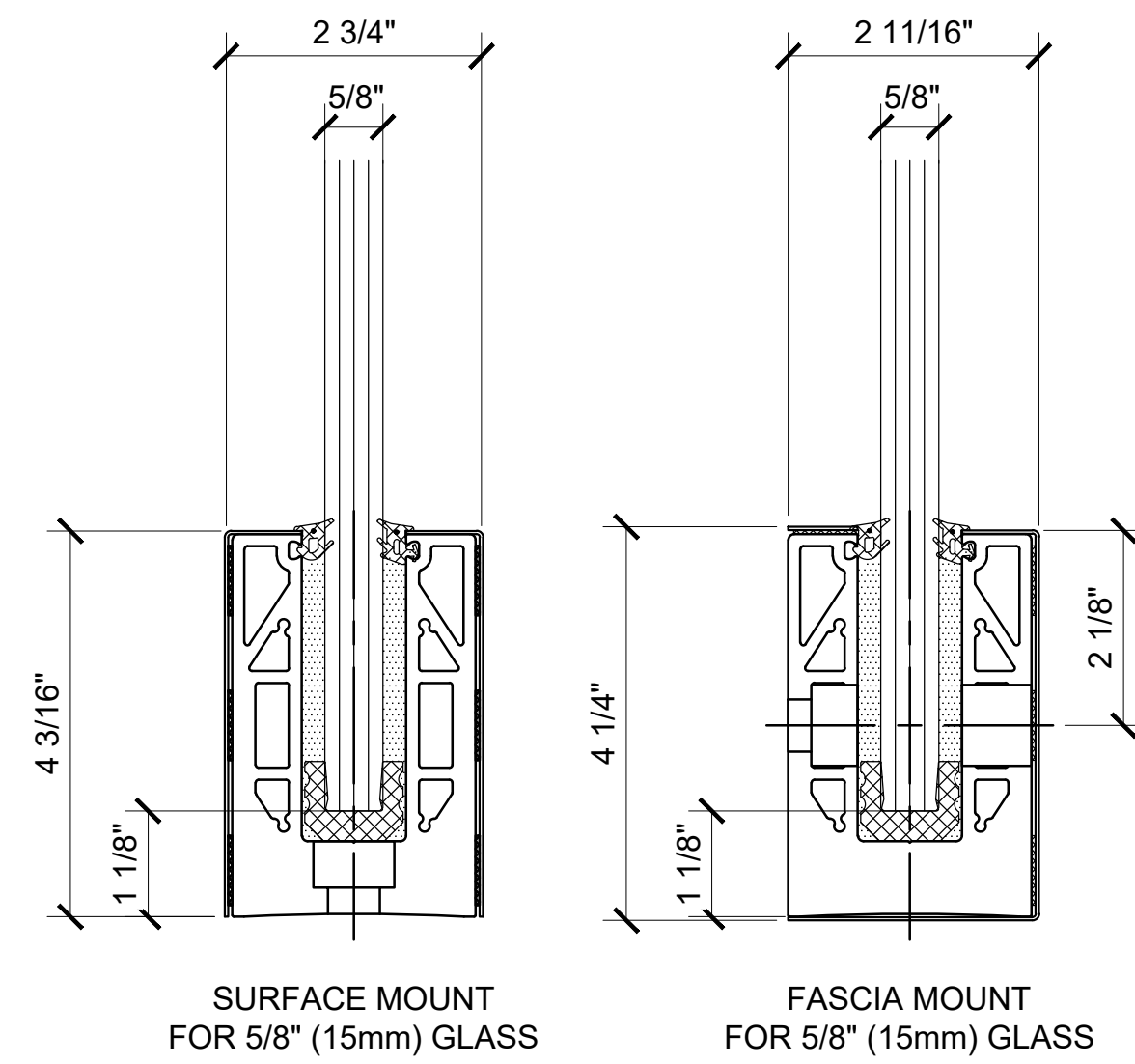
Description:
**GRS
GLASS RAILING SYSTEM
WET GLAZED
FOR TEMPERED MONOLITHIC
1/2", 5/8" & 3/4" THK. GLASS**

**ELEVATIONS AND DETAILS
SURFACE MOUNT AND
FASCIA MOUNT OPTIONS**

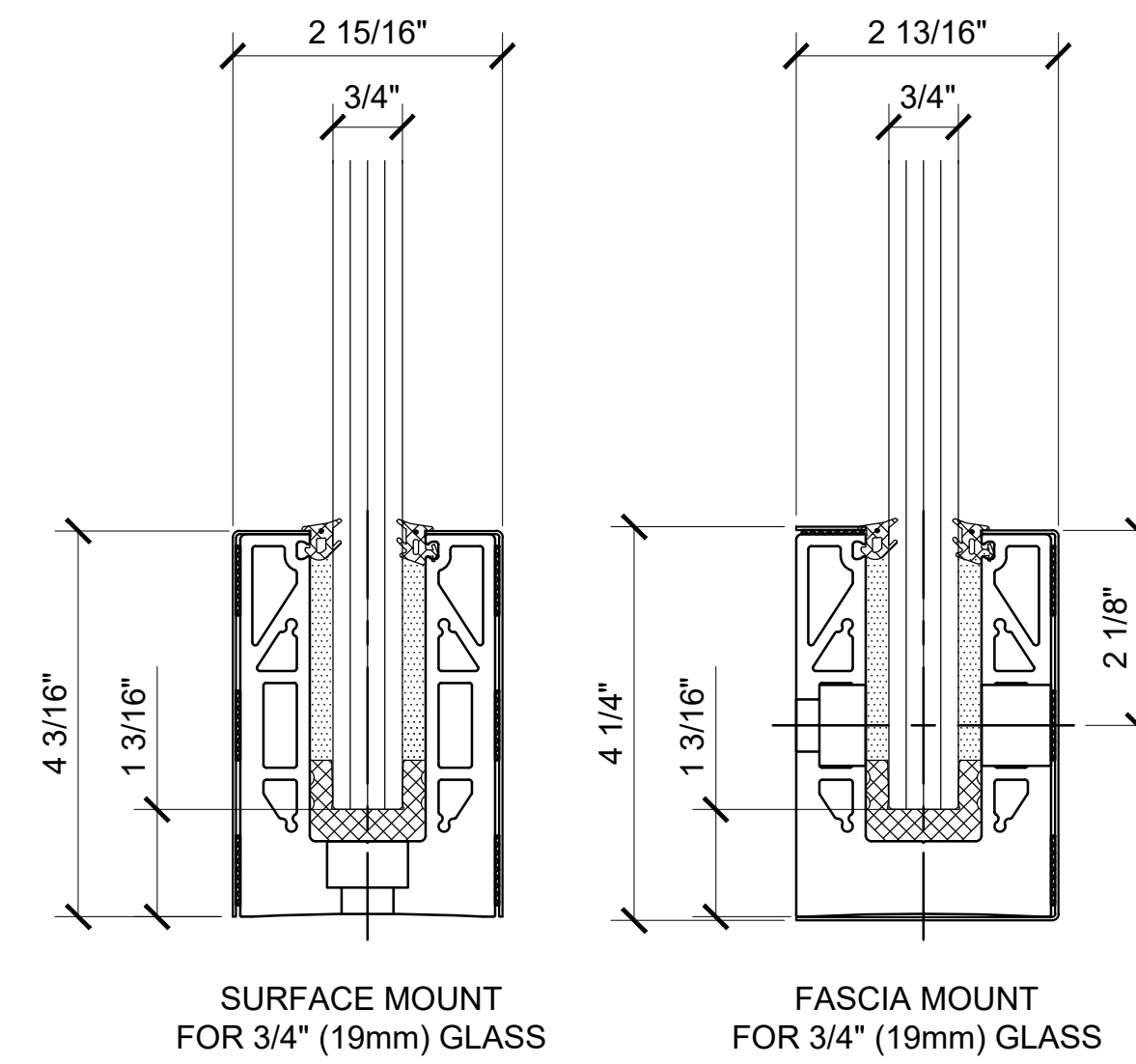
Drawn By: JG
Date: 12/15/2015
Scale: AS NOTED
File Name:
CRL GRS Monolithic Glass Railing System.dwg



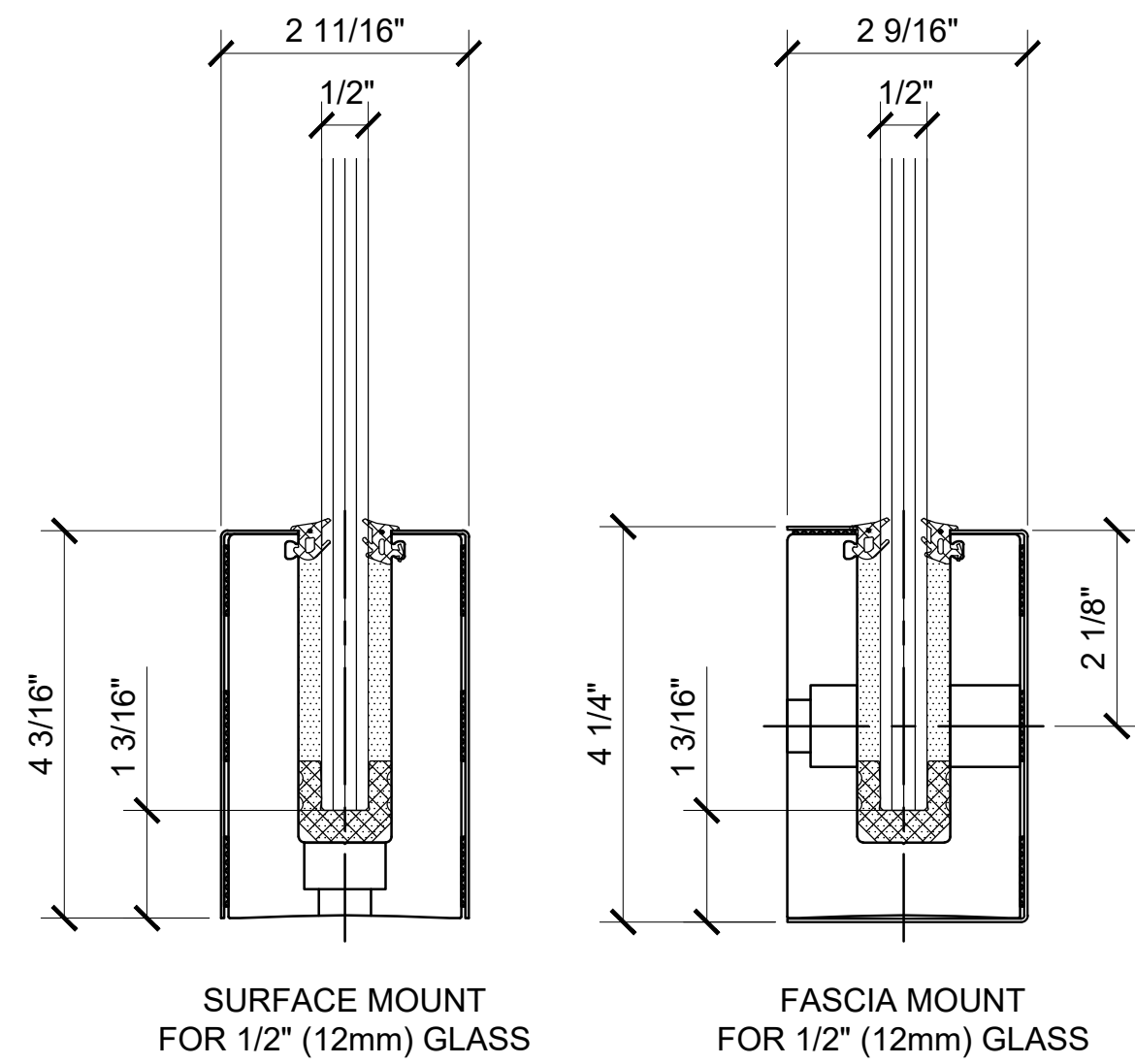
8B SERIES BASE SHOE



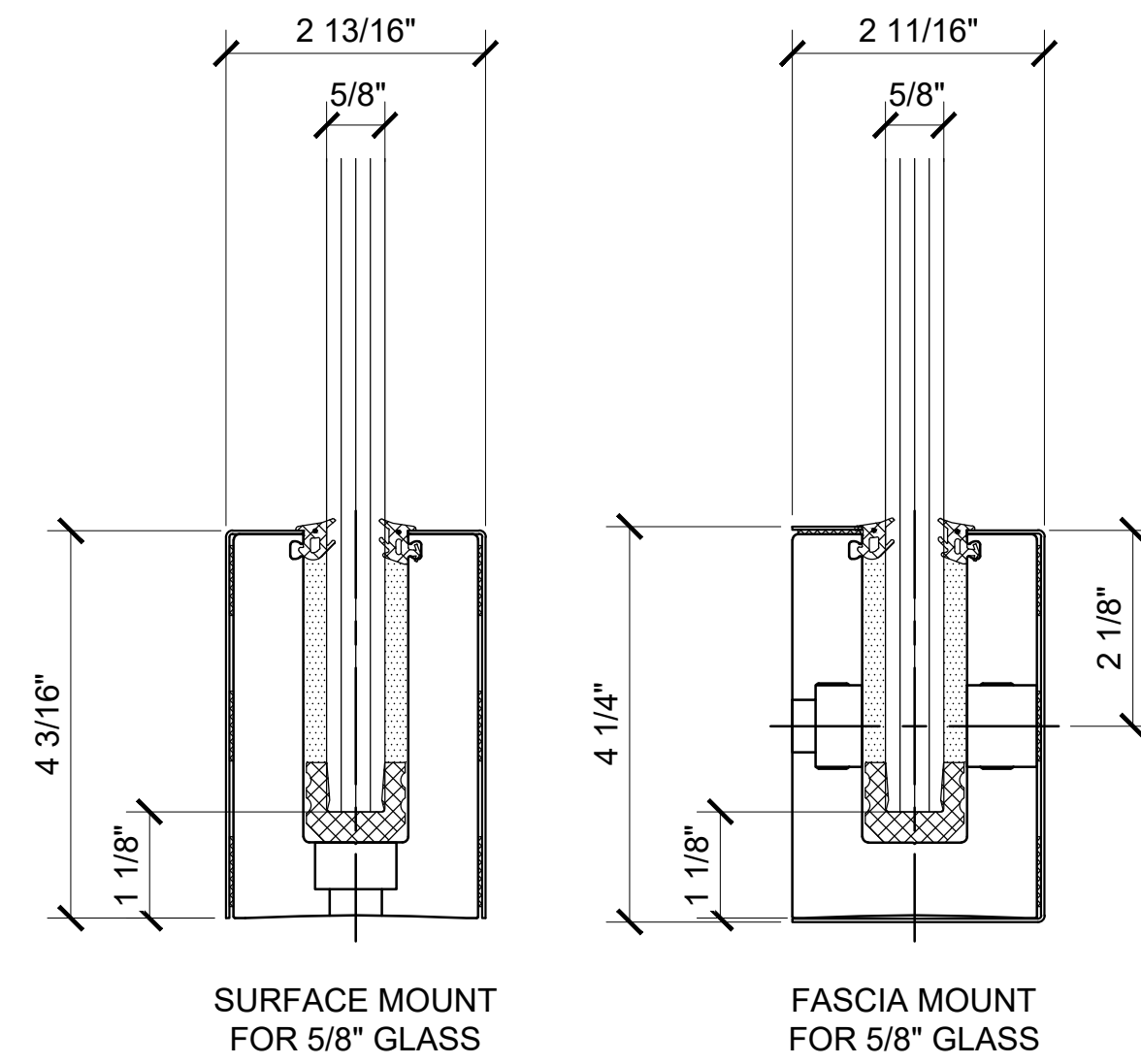
8B58 SERIES BASE SHOE



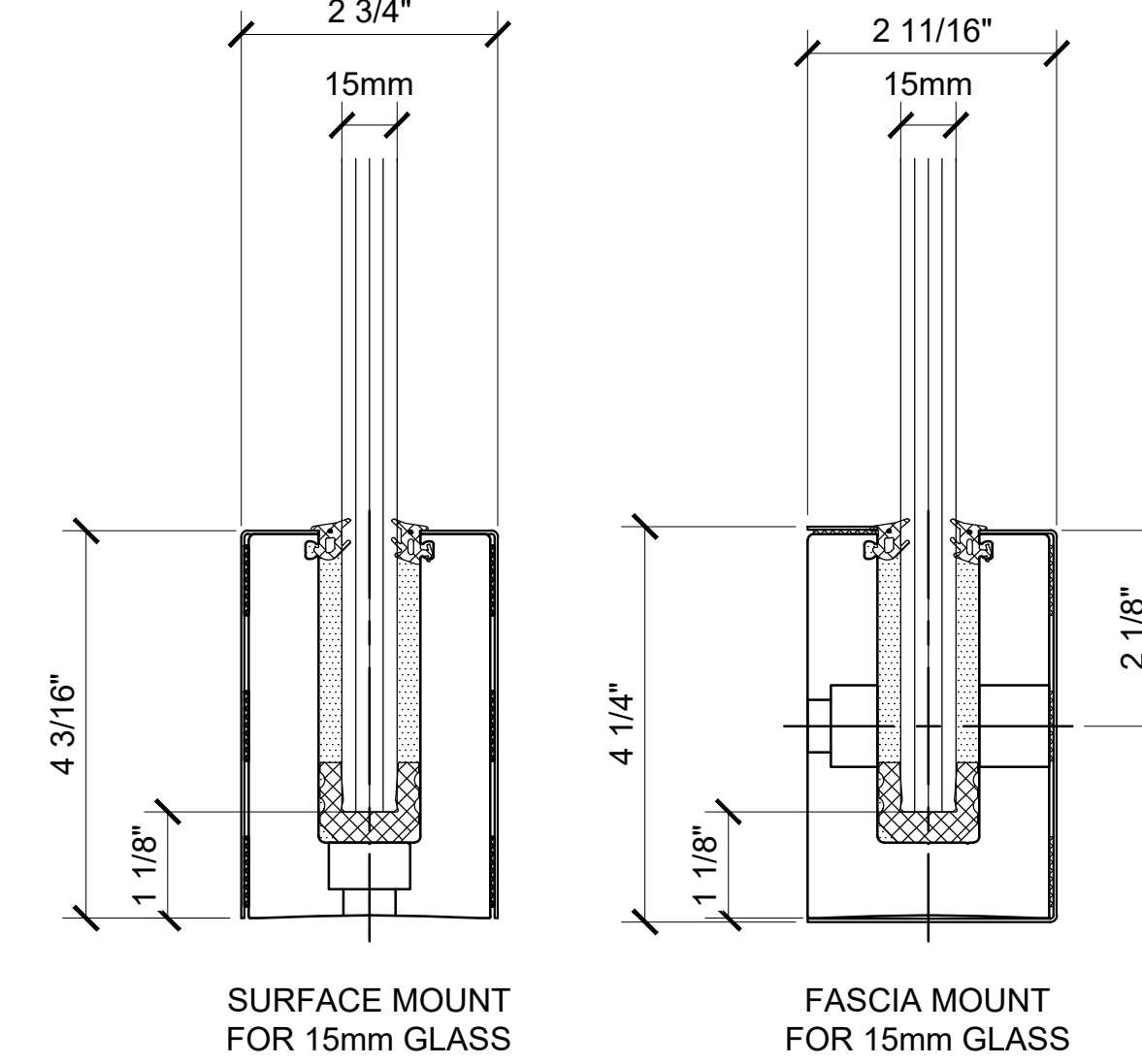
8B34 SERIES BASE SHOE



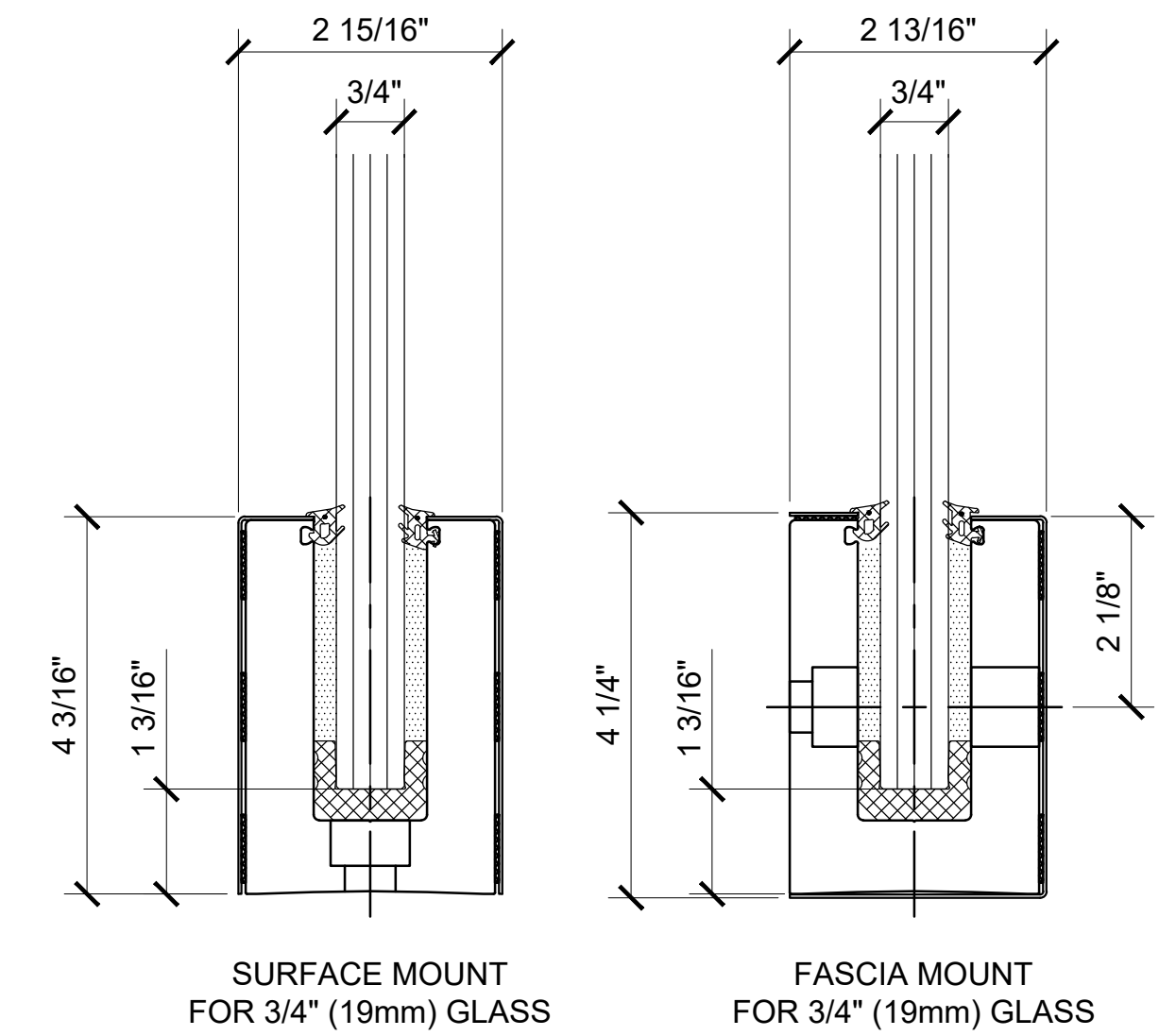
B5S SERIES BASE SHOE



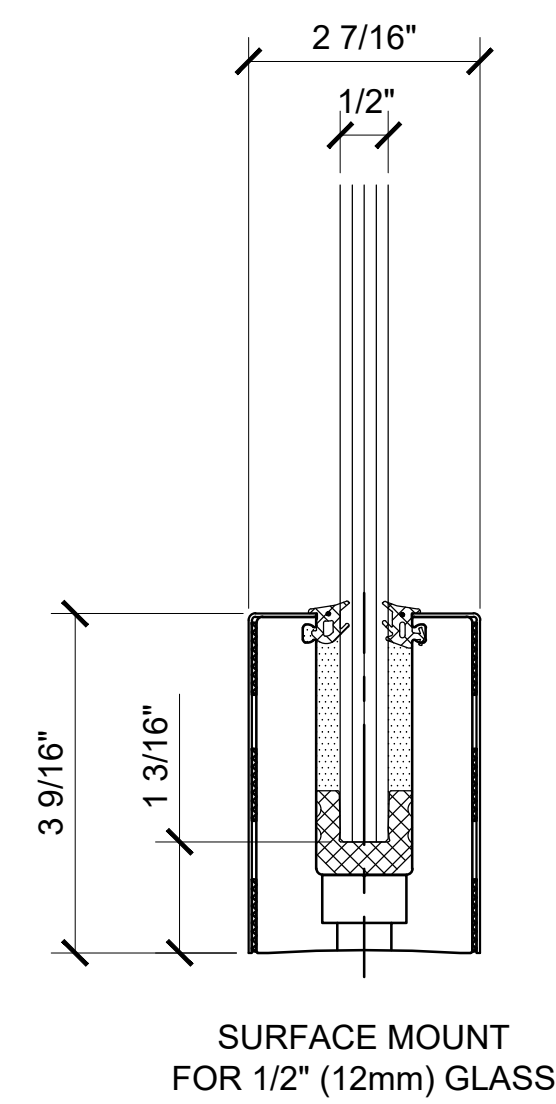
B6N SERIES BASE SHOE



B6S SERIES BASE SHOE

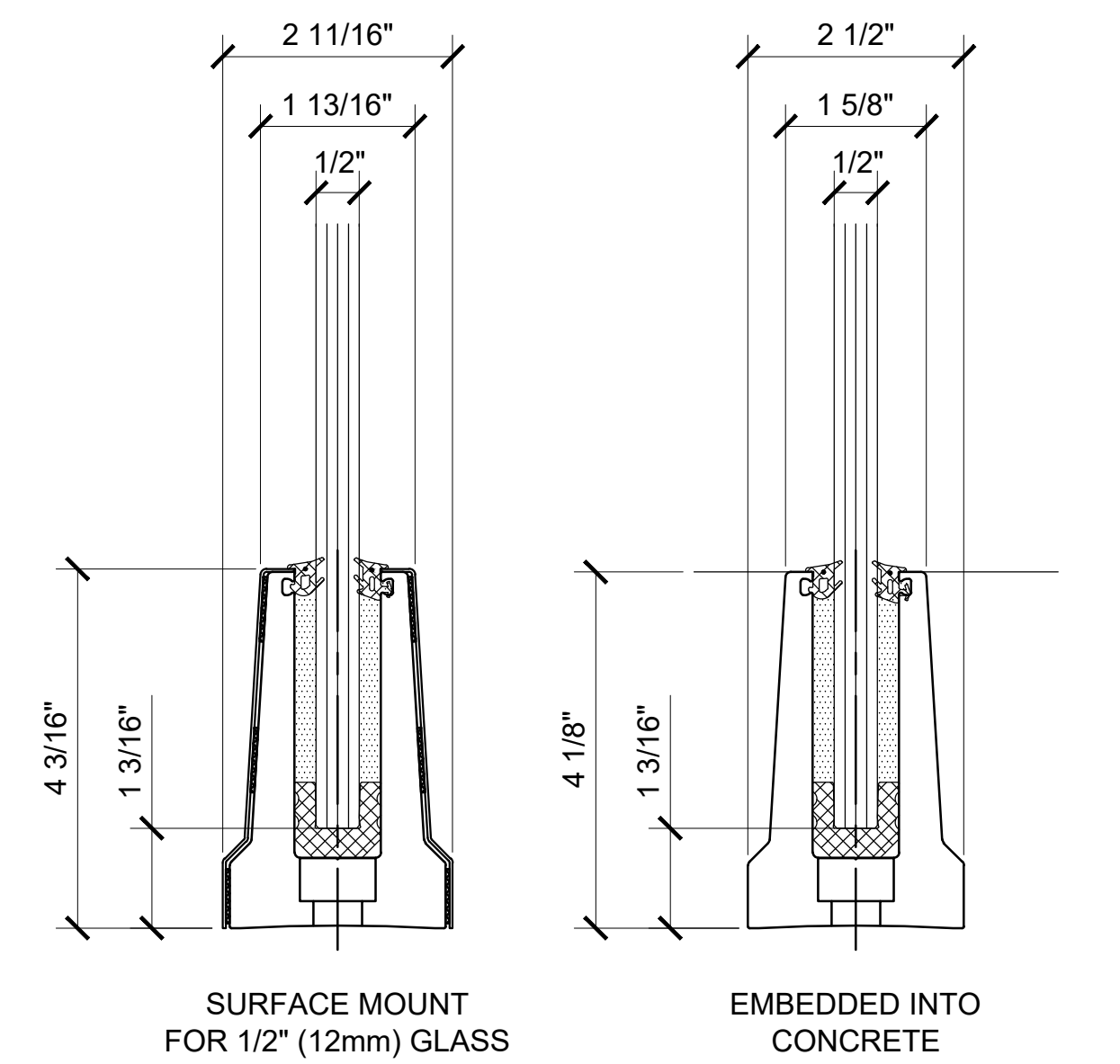


B7S SERIES BASE SHOE



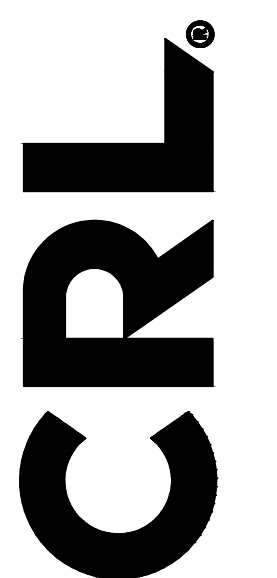
B5L SERIES BASE SHOE

*NOTE: B5L BASE SHOE CANNOT BE USED W/ TAPER-LOC ®.

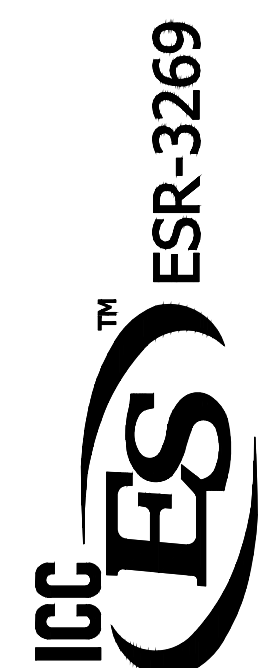


B5T SERIES BASE SHOE

Revisions By:		
5	-	-
4	06/28/21	AB
3	06/05/18	VM
2	08/12/16	JG
1	02/08/16	JG



2503 E. Vernon Avenue, Los Angeles, CA 90058-1897
PH (800)-421-6144 FX: 800-587-7501 www.crlaurence.com



GRS
GLASS RAILING SYSTEM
WET GLAZED
FOR TEMPERED MONOLITHIC
1/2", 5/8" & 3/4" THK. GLASS

BASE SHOE OPTIONS
SURFACE & FASCIA MOUNT

Drawn By: JG
Date: 12/15/2015
Scale: AS NOTED
File Name:

CRL GRS Monolithic Glass Railing System.dwg

Revisions By:

5	-	-
4	06/28/21	AB
3	06/05/18	VM
2	08/12/16	JG
1	02/08/16	JG

CRL

2503 E. Vernon Avenue, Los Angeles, CA 90058-1897
PH (800)-421-6144 FX: 800-567-7501 www.crlinc.com

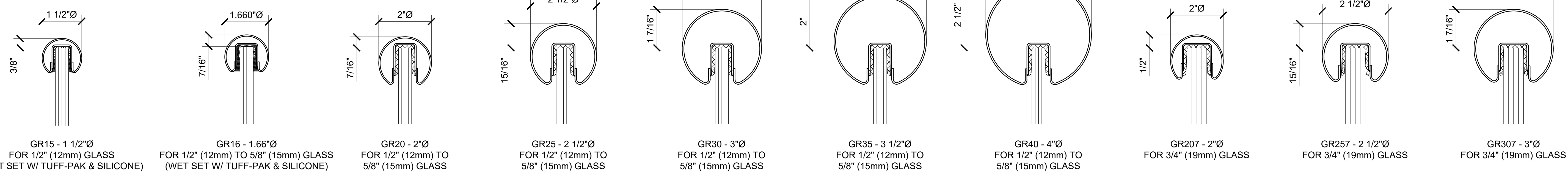
ICC ESR-3269

Description:
GRS GLASS RAILING SYSTEM
WET GLAZED
FOR TEMPERED MONOLITHIC
1/2", 5/8" & 3/4" THK. GLASS

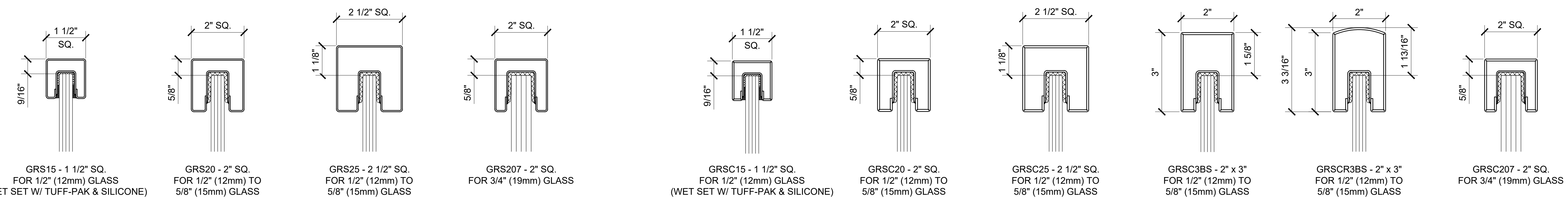
CAP RAIL OPTIONS

Drawn By: JG
Date: 12/15/2015
Scale: AS NOTED
File Name:
CRL GRS Monolithic Glass Railing System.dwg

Sheet

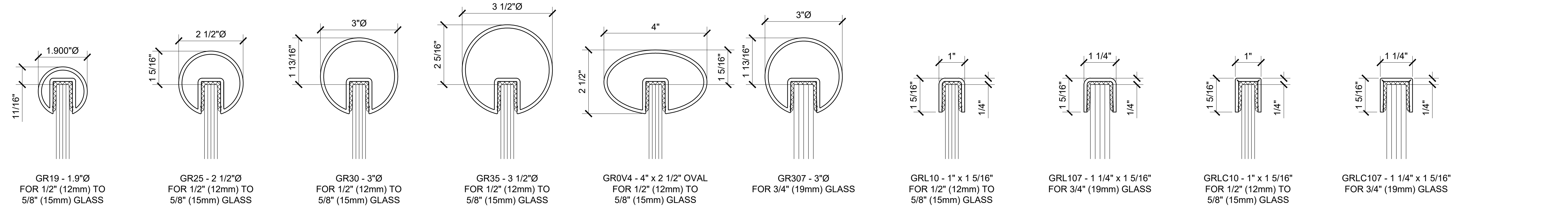


BUMP-FORMED & WELDED PREMIUM RADIUS PROFILE CAP RAIL



BUMP-FORMED & WELDED PREMIUM SQUARE PROFILE CAP RAIL

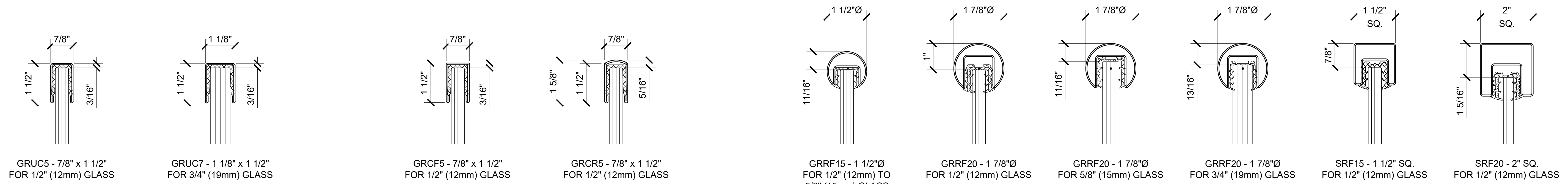
SQUARE PROFILE CRISP CORNER CAP RAIL



EXTRUDED ALUMINUM CAP RAIL

LOW PROFILE 11 GAUGE CAP RAIL

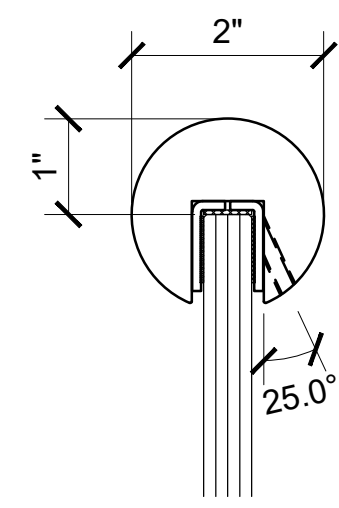
LOW PROFILE 11 GAUGE CRISP CORNER CAP RAIL



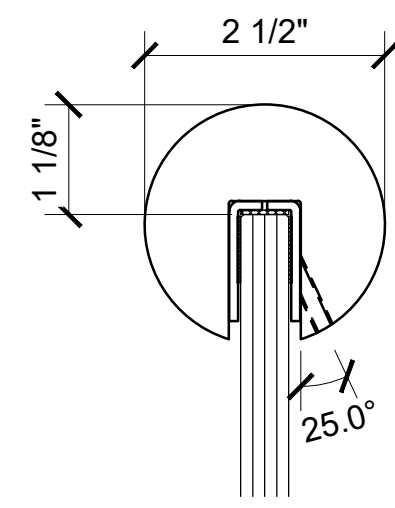
U-CHANNEL 18 GAUGE CAP RAIL

U-CHANNEL 18 GAUGE CRISP CORNER CAP RAIL

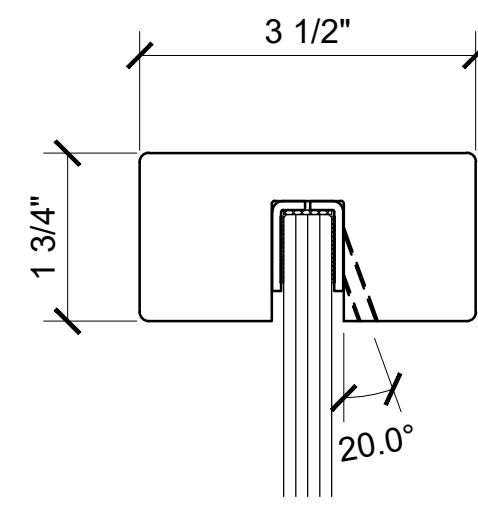
ROLL-FORMED CAP RAIL



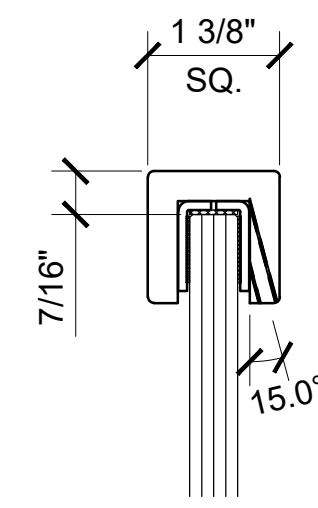
337 SERIES - 2"Ø
FOR 1/2" (12mm)



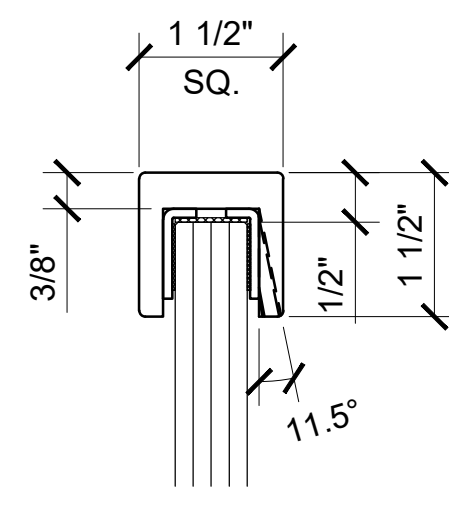
338 SERIES - 2 1/2"Ø
FOR 1/2" (12mm)



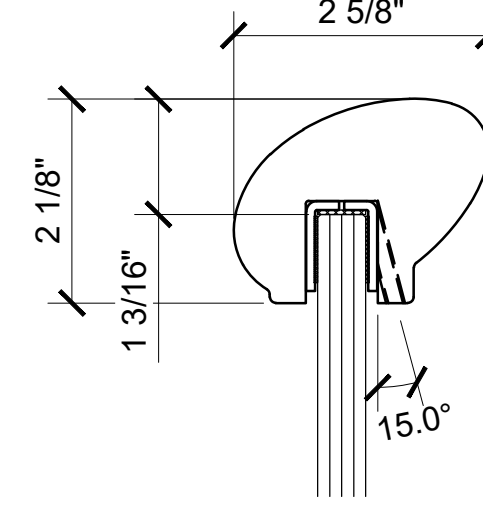
339 SERIES - 3 1/2" x 1 3/4"
FOR 1/2" (12mm)



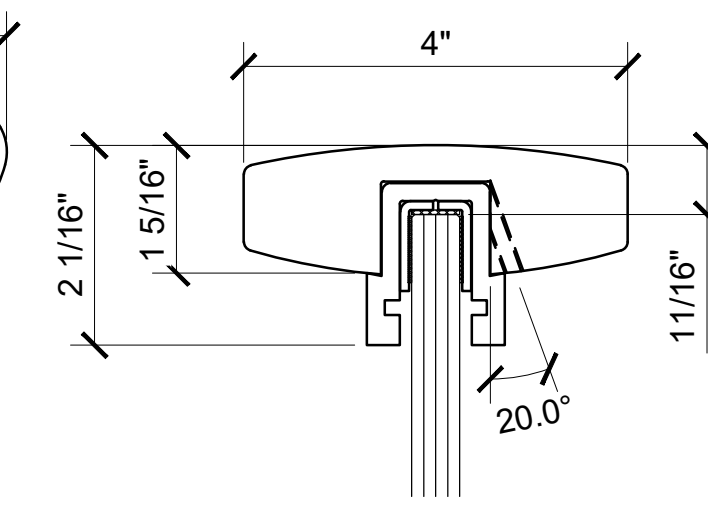
324 SERIES - 1 3/8" SQ.
FOR 1/2" (12mm)



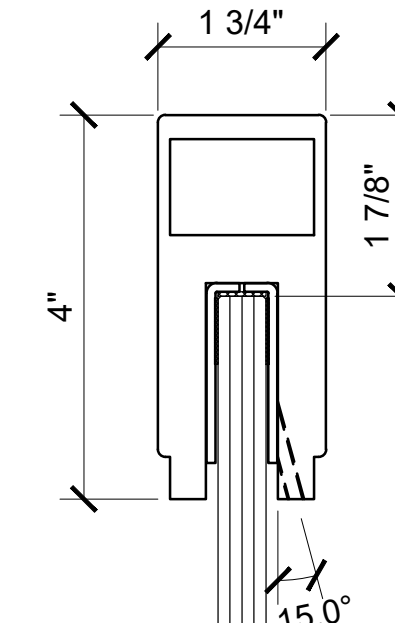
3243 SERIES - 1 1/2" SQ.
FOR 3/4" (19mm)



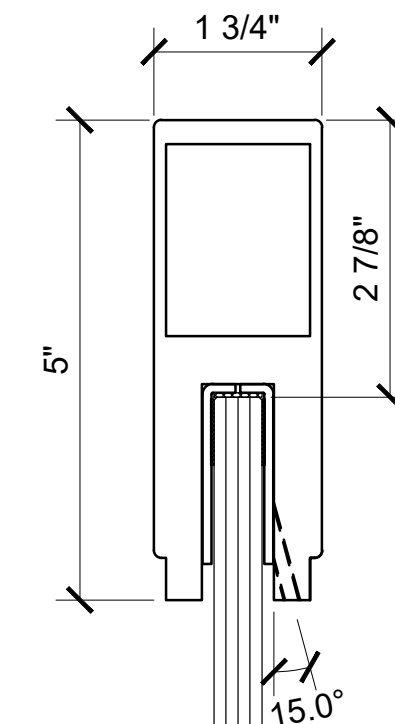
376 SERIES - ELLIPTICAL
FOR 1/2" (12mm)



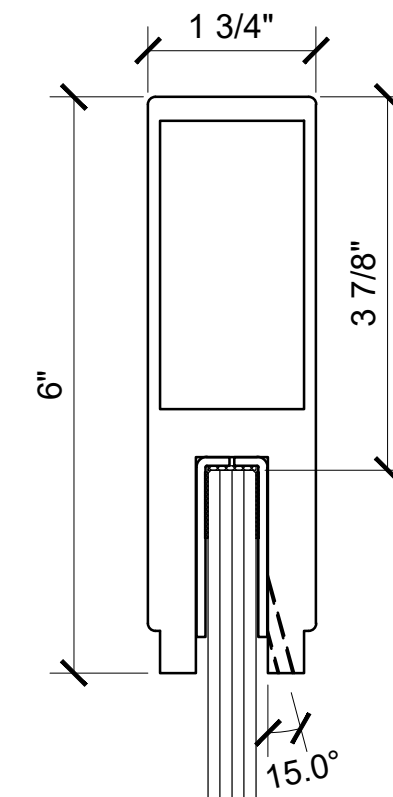
398 SERIES - 4" x 1 5/16"
FOR 1/2" (12mm)



636 SERIES - 1 3/4" x 4"
FOR 1/2" (12mm)



637 SERIES - 1 3/4" x 5"
FOR 1/2" (12mm)



638 SERIES - 1 3/4" x 6"
FOR 1/2" (12mm)

BLUMCRAFT® EXTRUDED ALUMINUM CAP RAIL

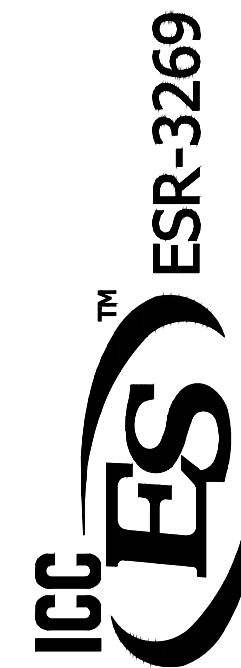
BLUMCRAFT® EXTRUDED SOLID ALUMINUM CAP RAIL

Revisions By:

5	-	-
4	06/28/21	AB
3	06/05/18	VM
2	08/12/16	JG
1	02/08/16	JG

CRL

2503 E. Vernon Avenue, Los Angeles, CA 90058-1897
PH (800)-421-6144 FX: 800-567-7501 www.crlaurence.com



Description: **GRS**
GLASS RAILING SYSTEM
WET GLAZED
FOR TEMPERED MONOLITHIC
1/2", 5/8" & 3/4" THK. GLASS

CAP RAIL OPTIONS

Drawn By: JG
Date: 12/15/2015
Scale: AS NOTED
File Name:

CRL GRS Monolithic Glass Railing System.dwg

Sheet