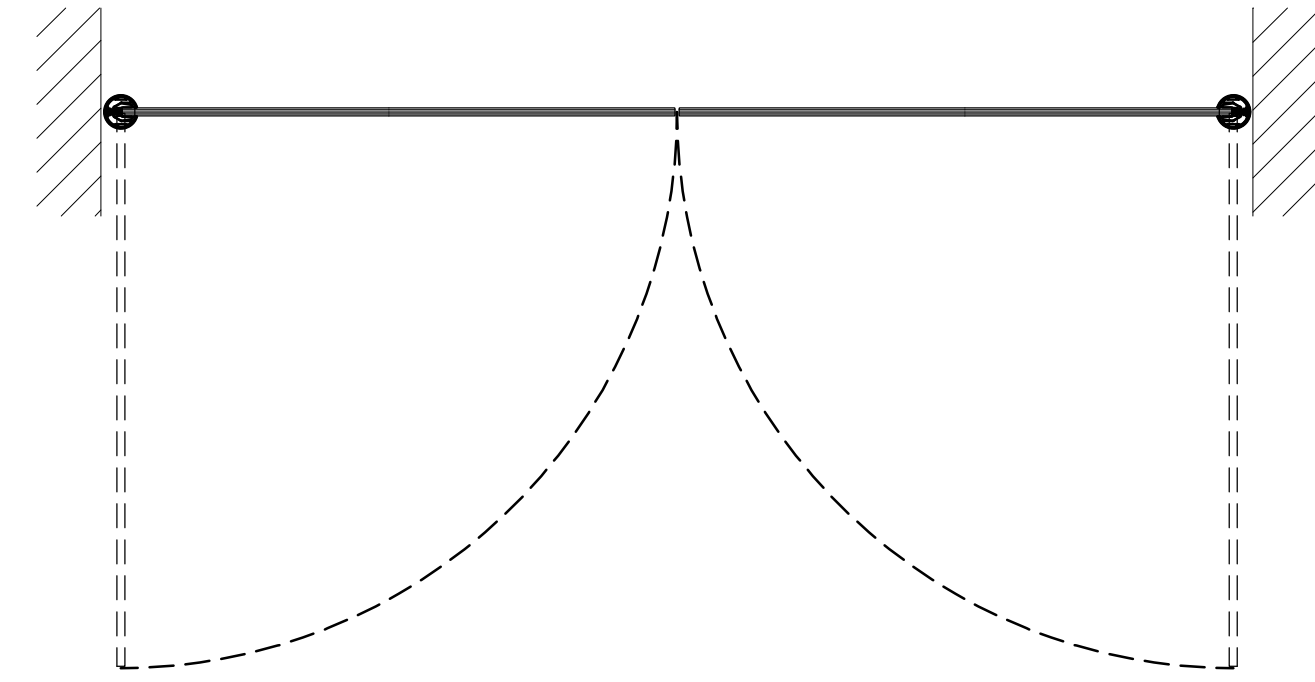


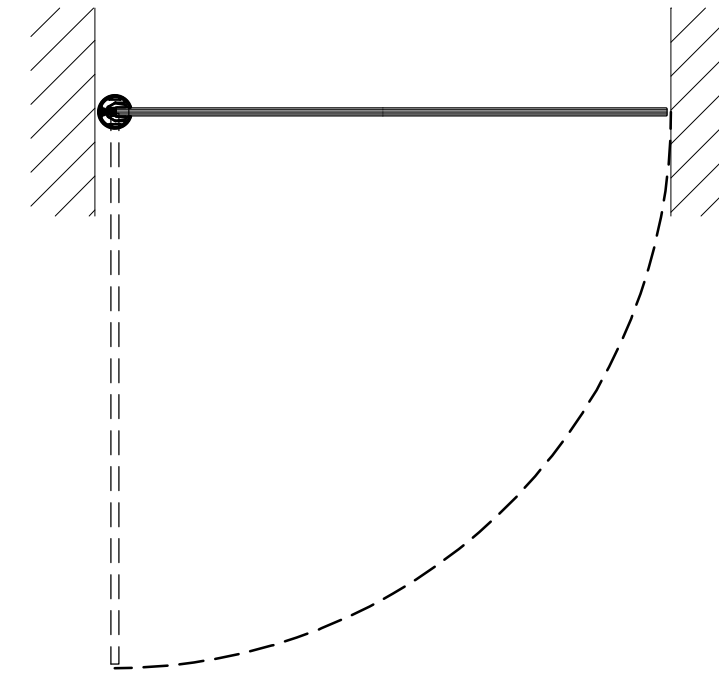


1202 SERIES SWINGING DOUBLE GLASS DOOR AND SINGLE GLASS DOOR - W/ SMALL TRANSOM & W/O SIDELITES  
 15 5/16" MIN TO 19 1/4" MAX HEIGHT



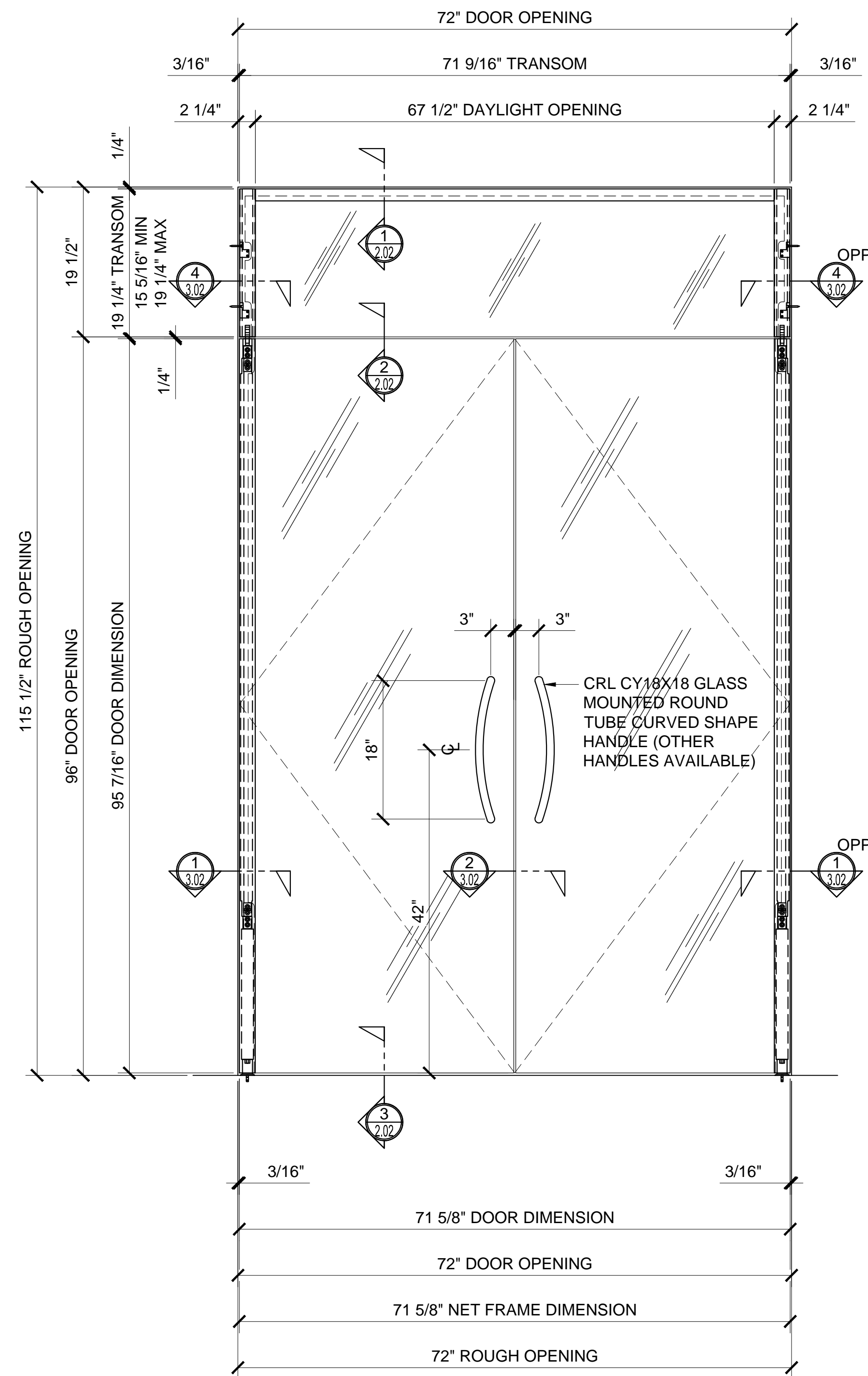
① PLAN

ARCH REF: 1"=1'-0"



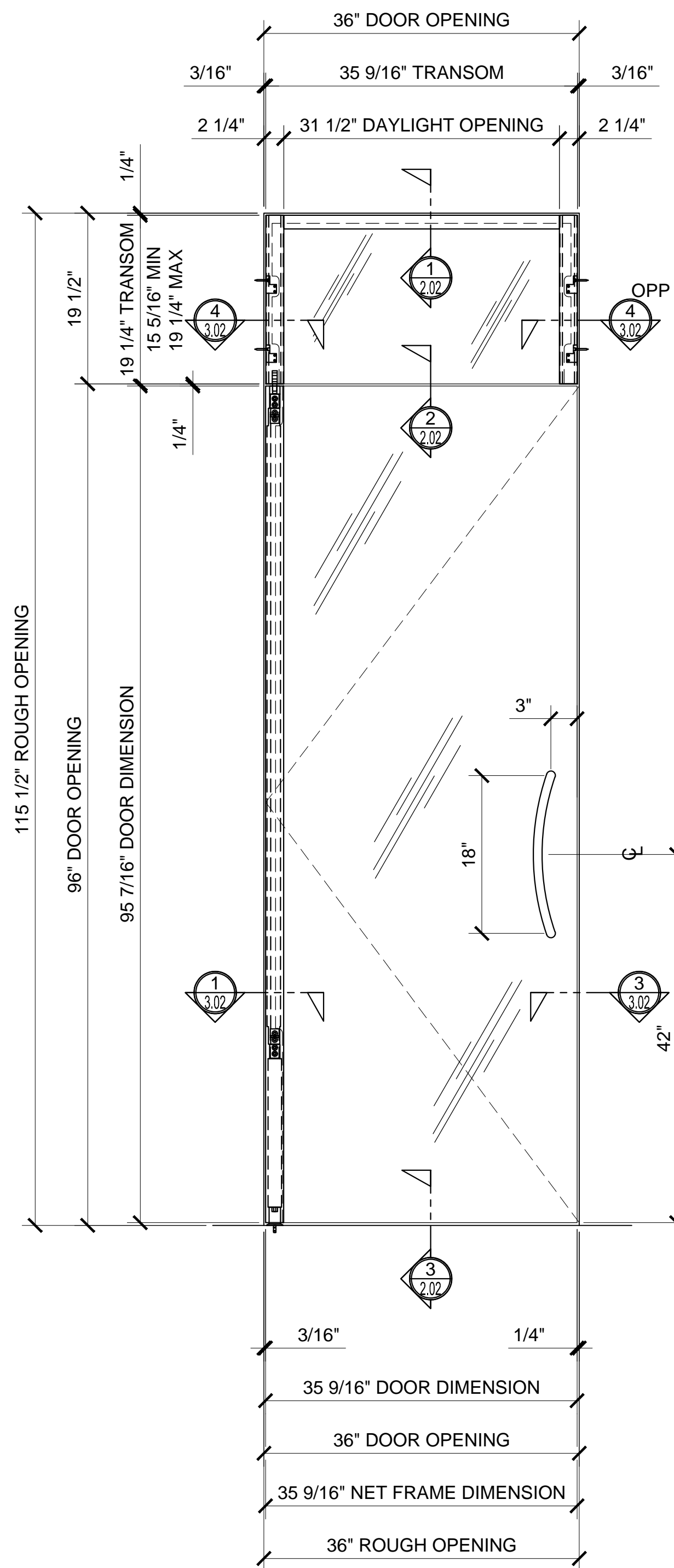
③ PLAN

ARCH REF: 1"=1'-0"



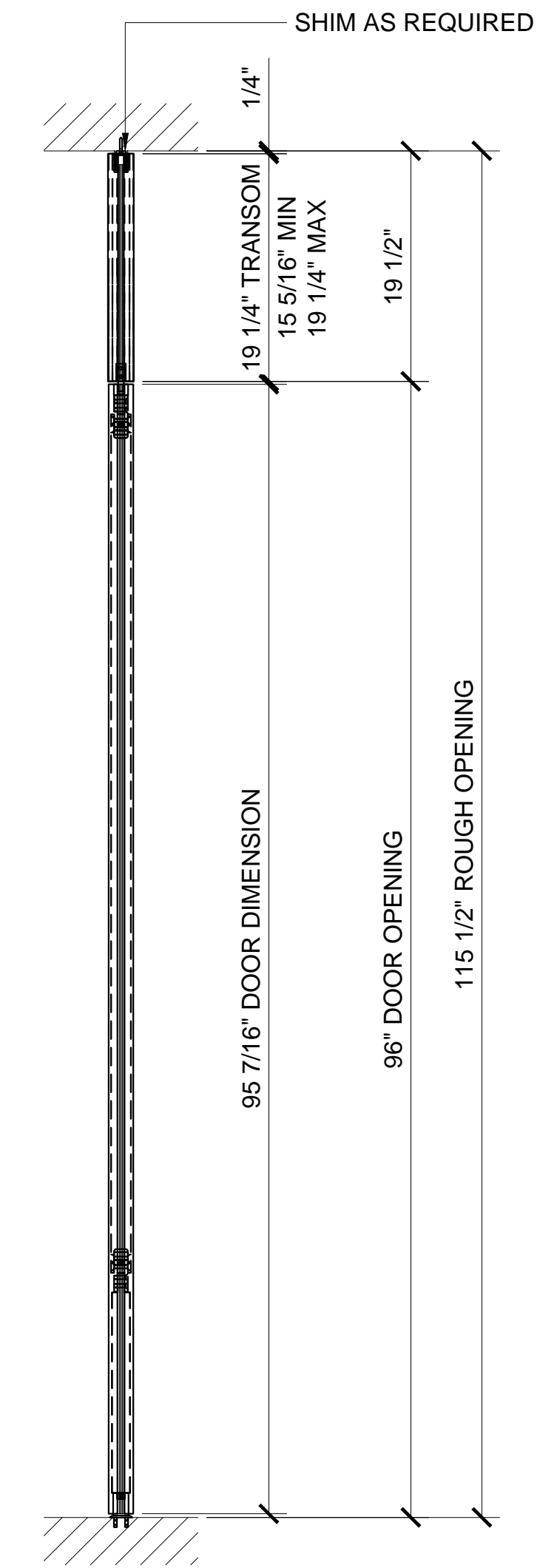
② ELEVATION

ARCH REF: 1"=1'-0"



④ ELEVATION

ARCH REF: 1"=1'-0"



⑤ DOOR SECTION

ARCH REF: 1"=1'-0"

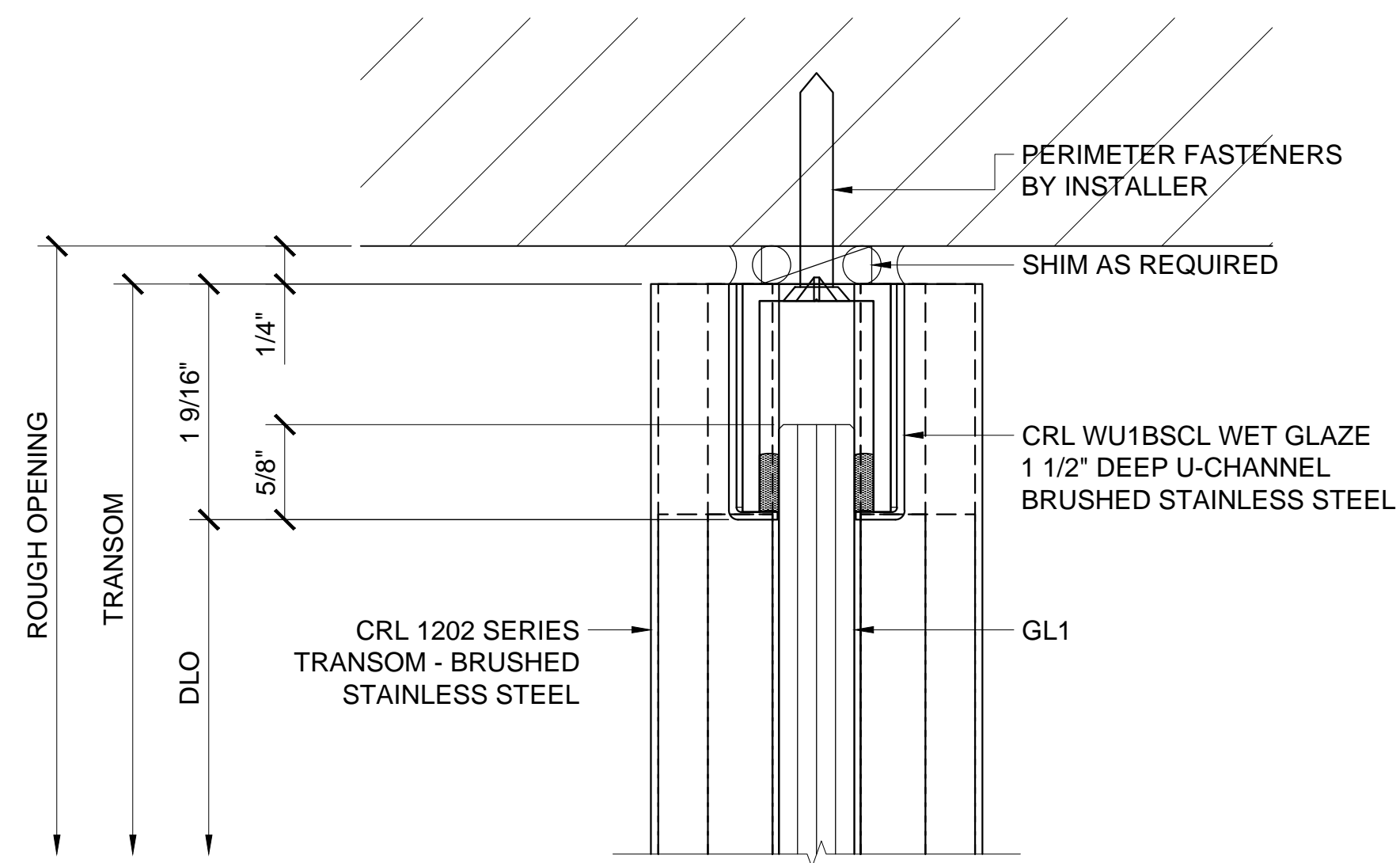
Revisions By:



Description:  
 1202 SERIES SWINGING  
 DOUBLE GLASS DOOR  
 AND SINGLE GLASS DOOR  
 W/ TRANSOM & WO SIDELITES

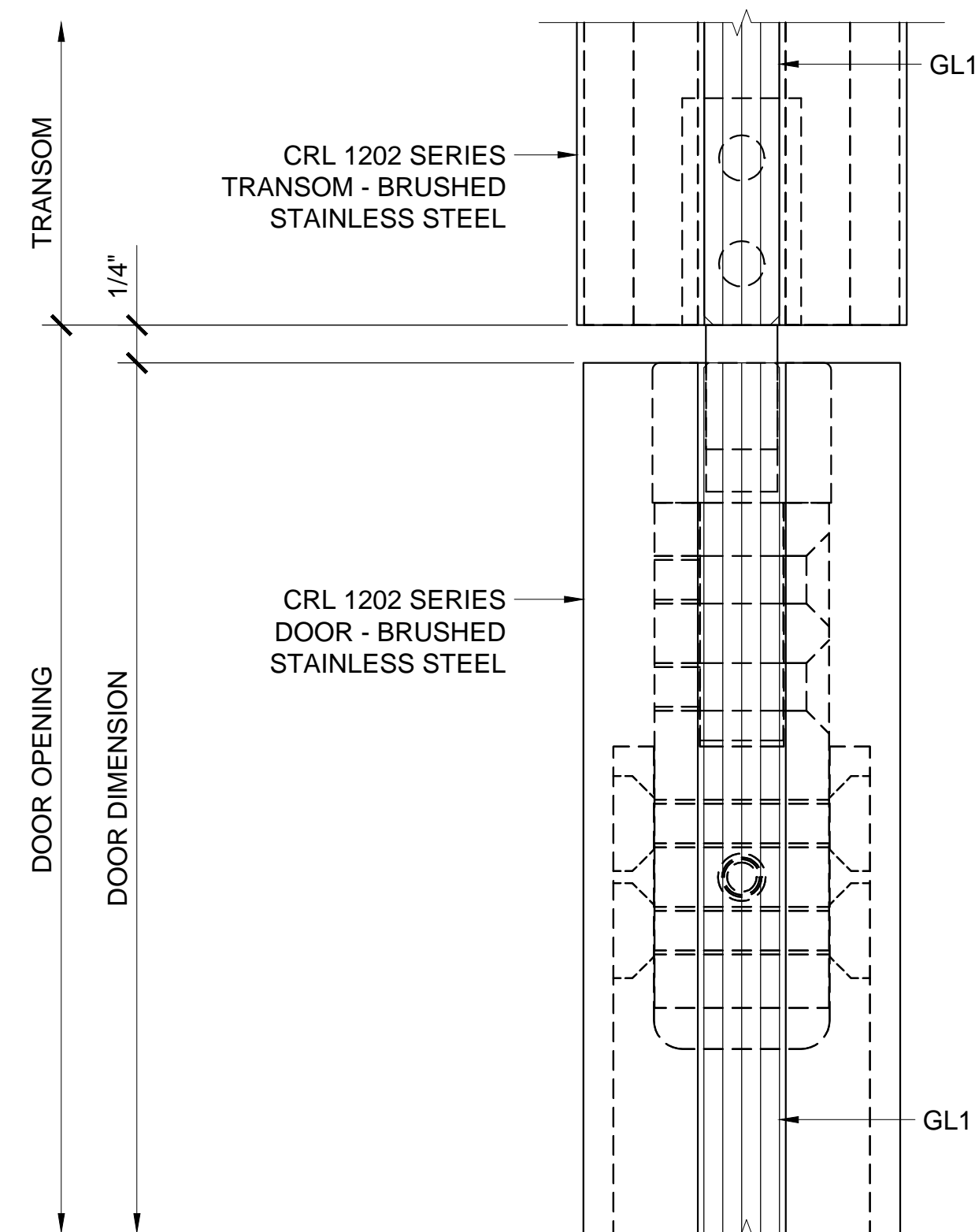
Drawn By: AAD  
 Date: 10/21/15  
 Scale: AS NOTED  
 File Name: 2-1202 Series Swinging  
 Double Glass Door And Single Glass Door  
 - W Transom & WO Sidelites.dwg

Sheet



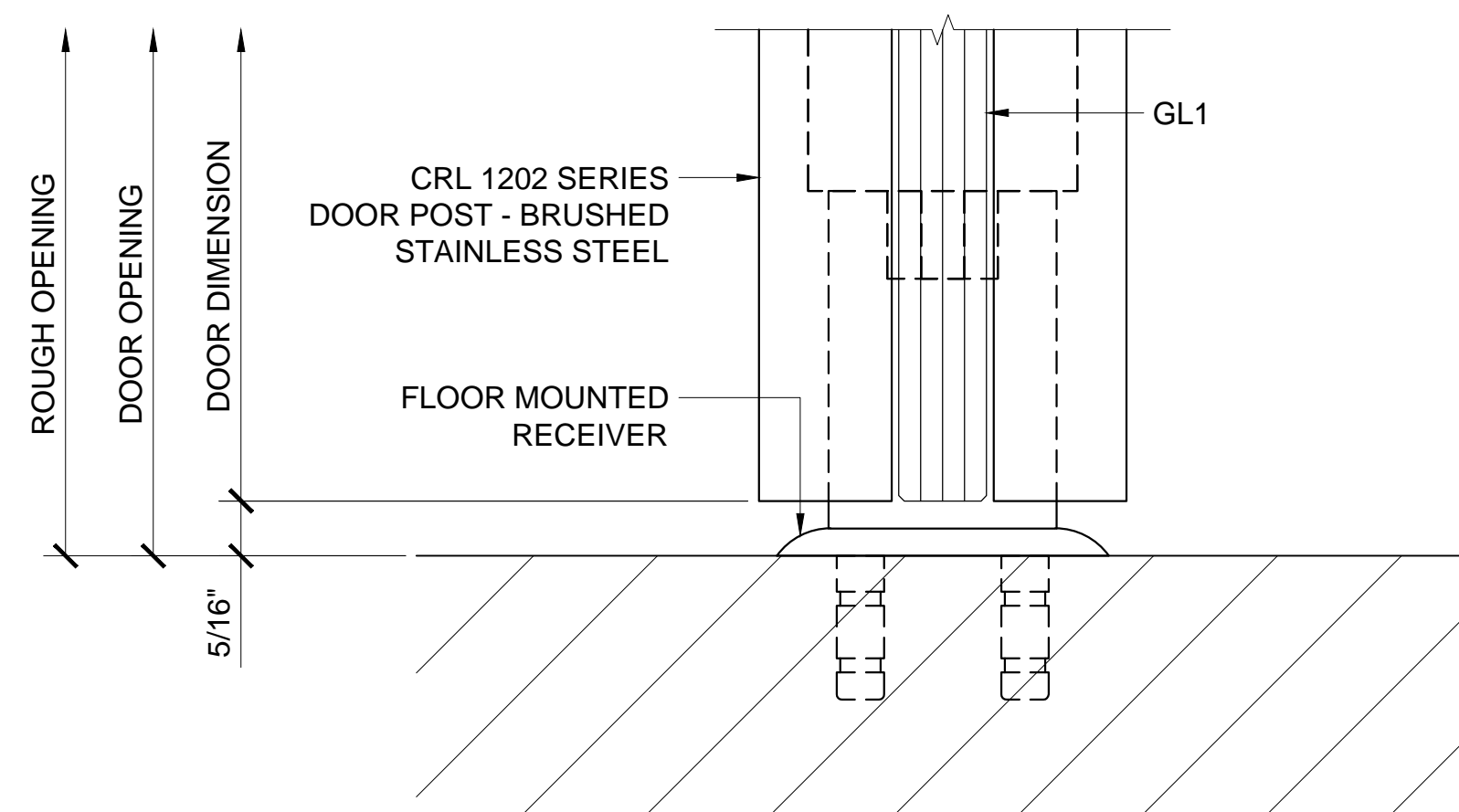
**① TRANSOM HEAD DETAIL**

ARCH REF: 1'-0"=1'-0"



**② DOOR HEAD AT TRANSOM DETAIL**

ARCH REF: 1'-0"=1'-0"



**③ DOOR SILL DETAIL**

ARCH REF: 1'-0"=1'-0"

Revisions By:



Description:  
1202 SERIES SWINGING  
DOUBLE GLASS DOOR  
AND SINGLE GLASS DOOR  
W/ TRANSOM & WO SIDELITES

Drawn By: AAD

Date: 10/21/15

Scale: AS NOTED

File Name: 2-1202 Series Swinging  
Double Glass Door And Single Glass Door  
- W Transom & WO Sidelites.dwg

Sheet

2.02

Revisions By:

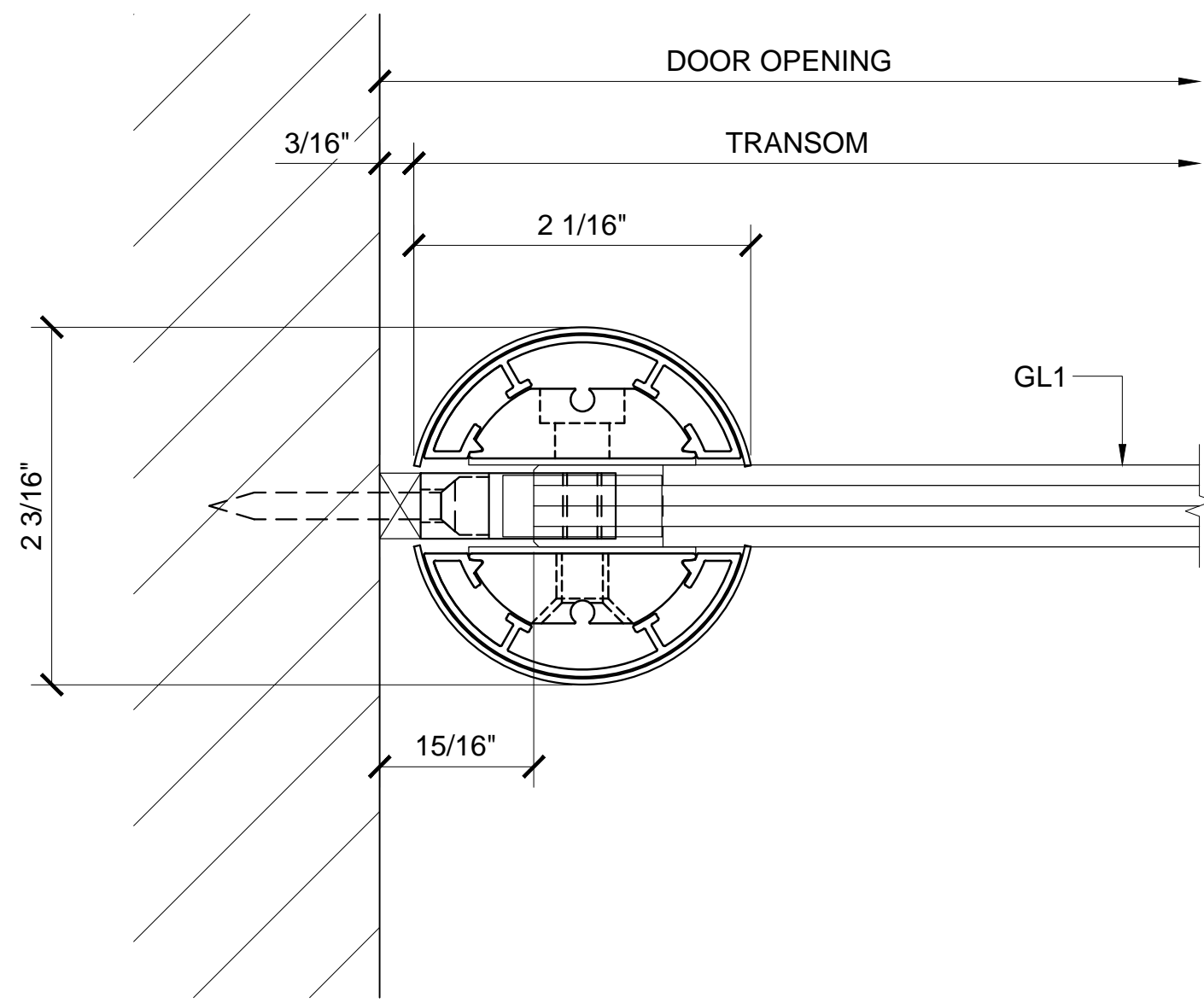
**CAL**  
**US ALUMINUM**  
C.R. LAURENCE CO. ARCHITECTURAL PRODUCTS  
2503 E. Vernon Avenue, Los Angeles, CA 90058-1897  
PH (800) 421-6144 FX 800-587-7301 www.crlaurence.com

Description:  
1202 SERIES SWINGING  
DOUBLE GLASS DOOR  
AND SINGLE GLASS DOOR  
W/ TRANSOM & WO SIDELITES

Drawn By: AAD  
Date: 10/21/15  
Scale: AS NOTED  
File Name: 2-1202 Series Swinging  
Double Glass Door And Single Glass Door  
- W Transom & WO Sidelites.dwg

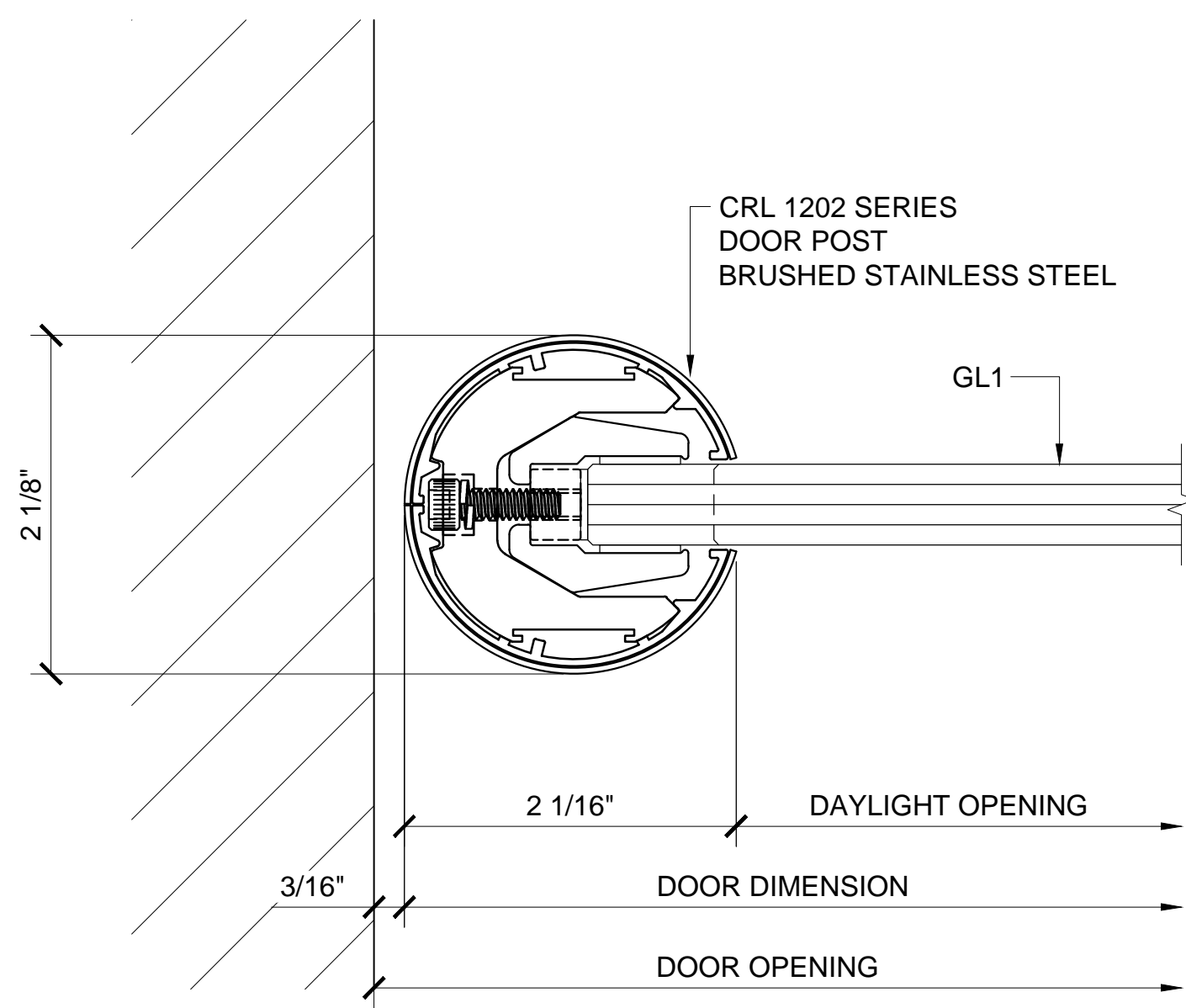
Sheet

3.02



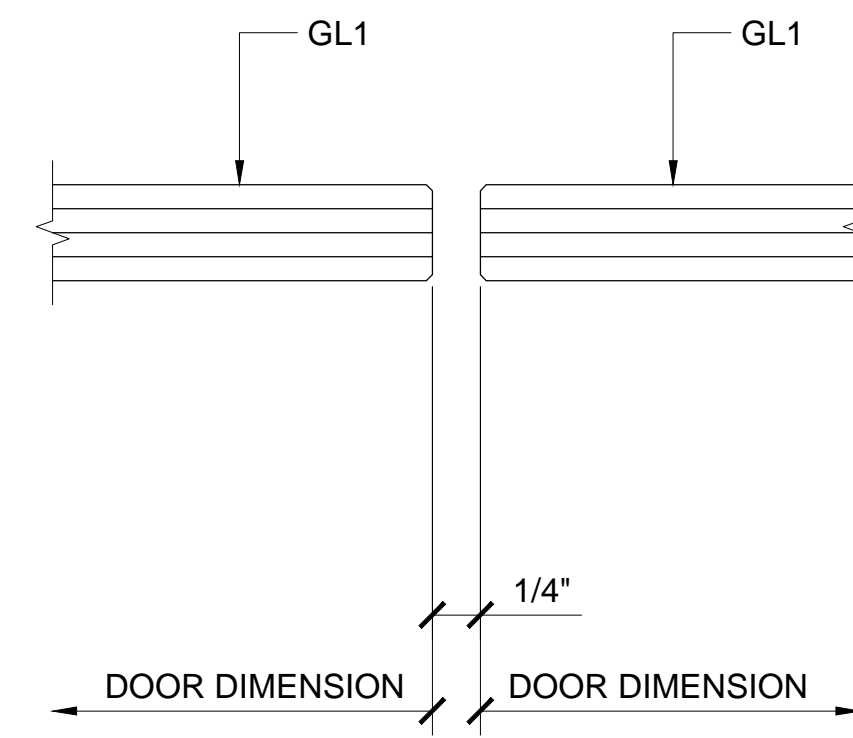
**④ TRANSOM POST SECTION AT WALL DETAIL**

ARCH REF: 1'-0"=1'-0"



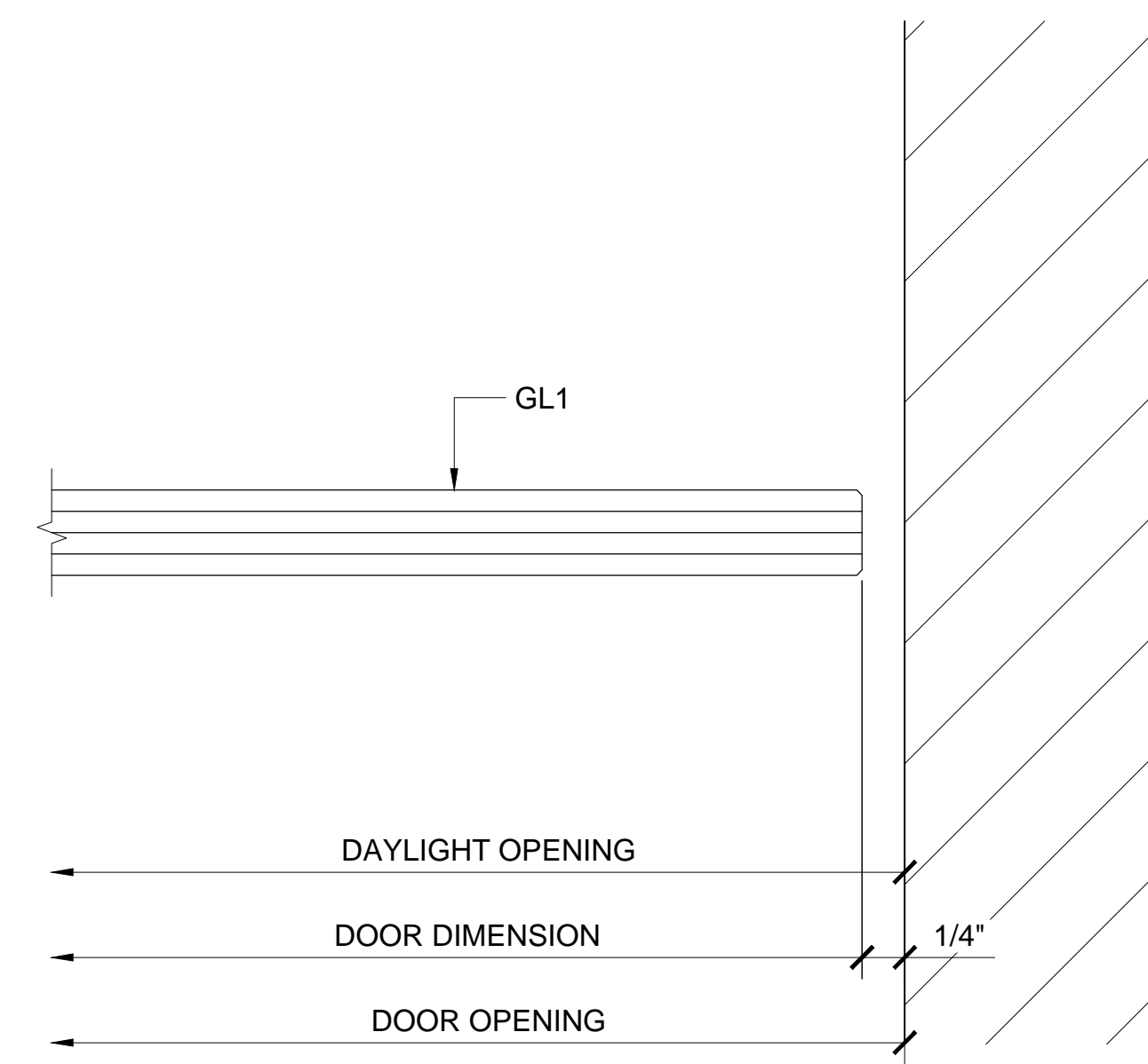
**① DOOR PIVOT POST SECTION DETAIL**

ARCH REF: 1'-0"=1'-0"



**② MEETING STILES**

ARCH REF: 1'-0"=1'-0"

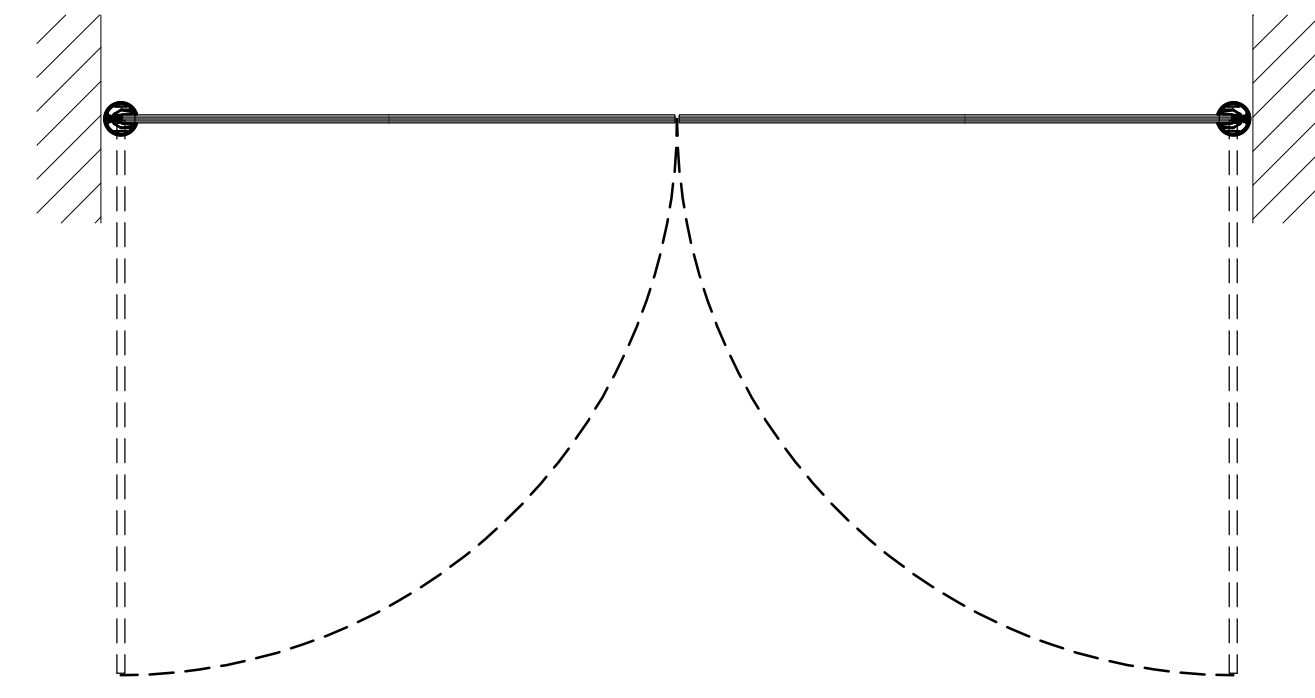


**③ DOOR JAMB AT WALL**

ARCH REF: 1'-0"=1'-0"

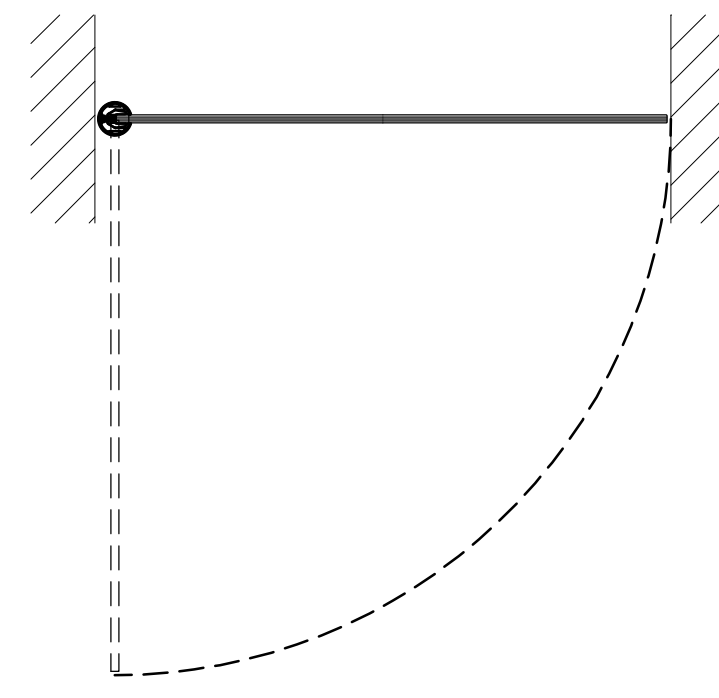


1202 SERIES SWINGING DOUBLE GLASS DOOR AND SINGLE GLASS DOOR - W/ MEDIUM TRANSOM & W/O SIDELITES  
 19 1/4" MIN TO 23 3/16" MAX HEIGHT



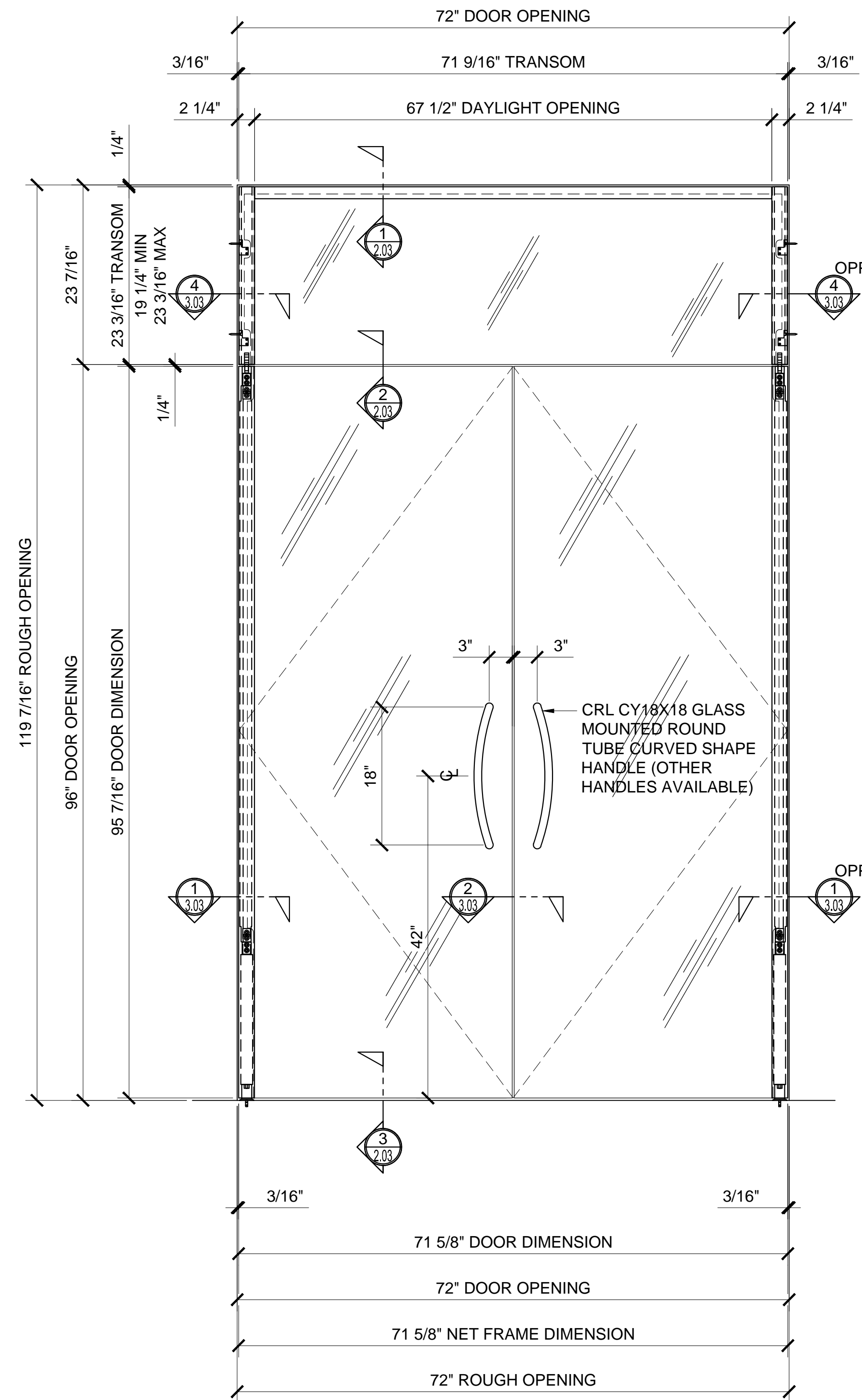
① PLAN

ARCH REF: 1"=1'-0"



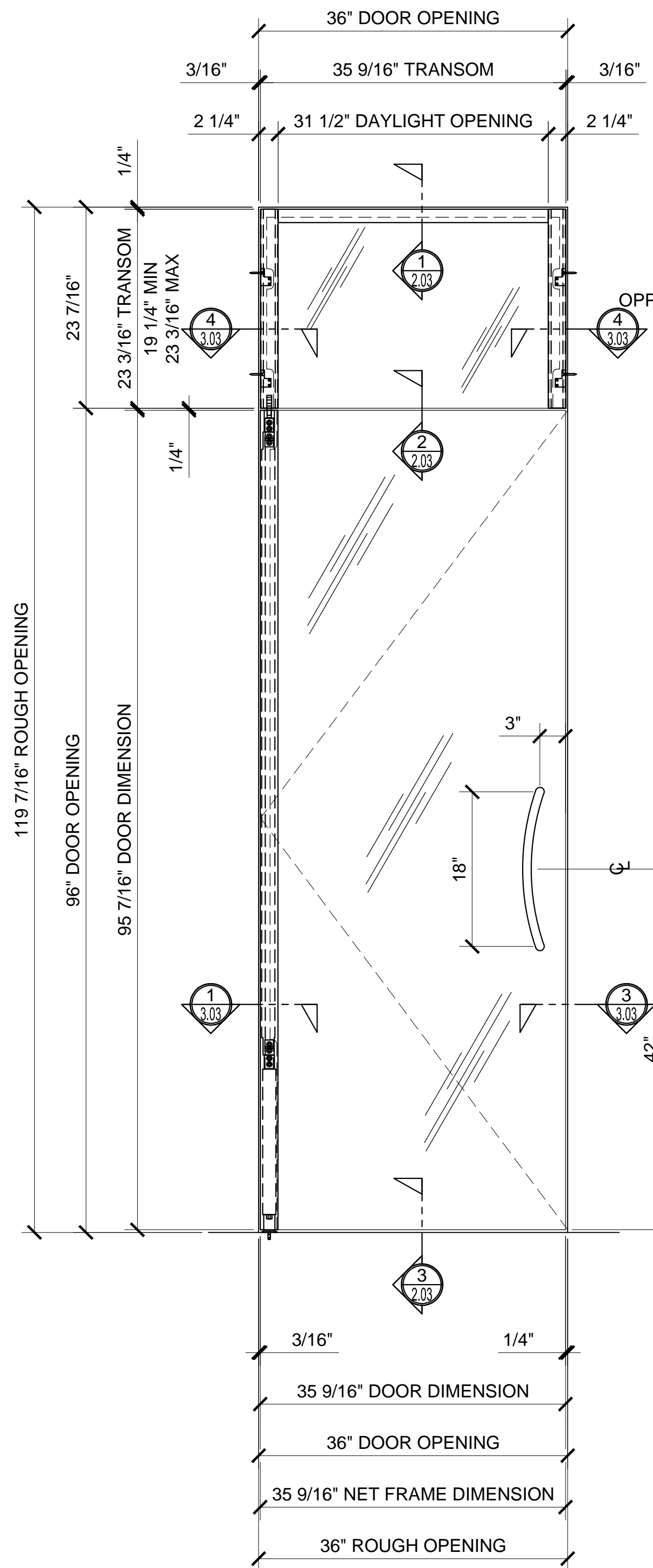
③ PLAN

ARCH REF: 1"=1'-0"



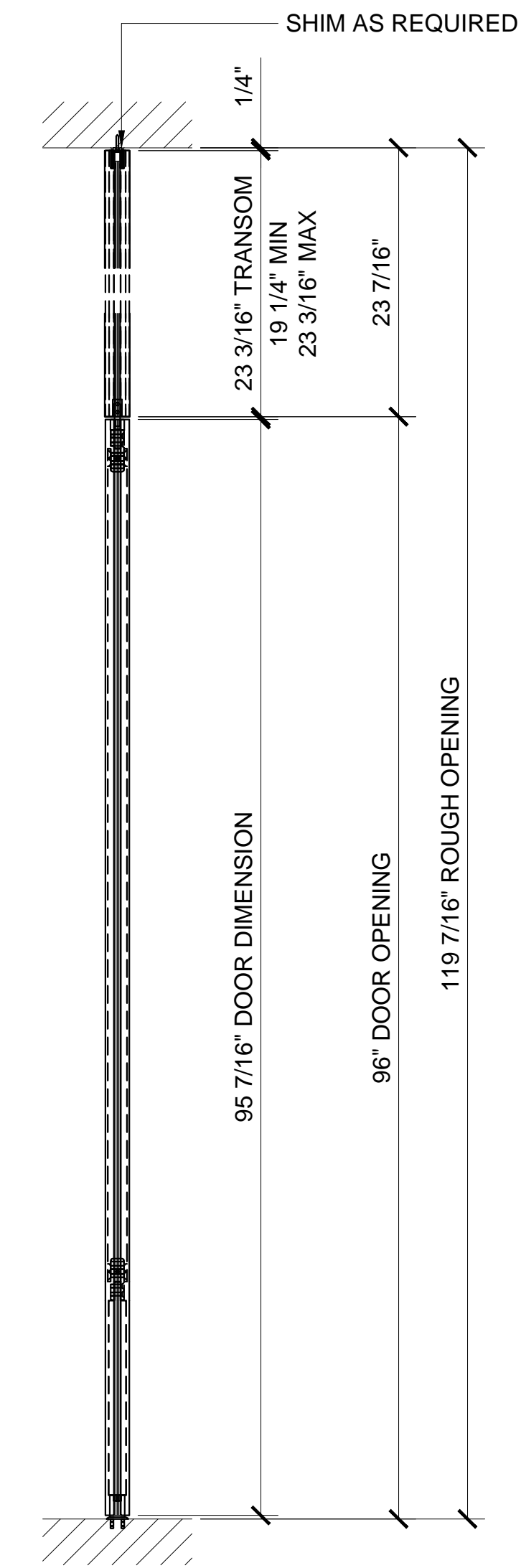
② ELEVATION

ARCH REF: 1"=1'-0"



④ ELEVATION

ARCH REF: 1"=1'-0"



⑤ DOOR SECTION

ARCH REF: 1"=1'-0"

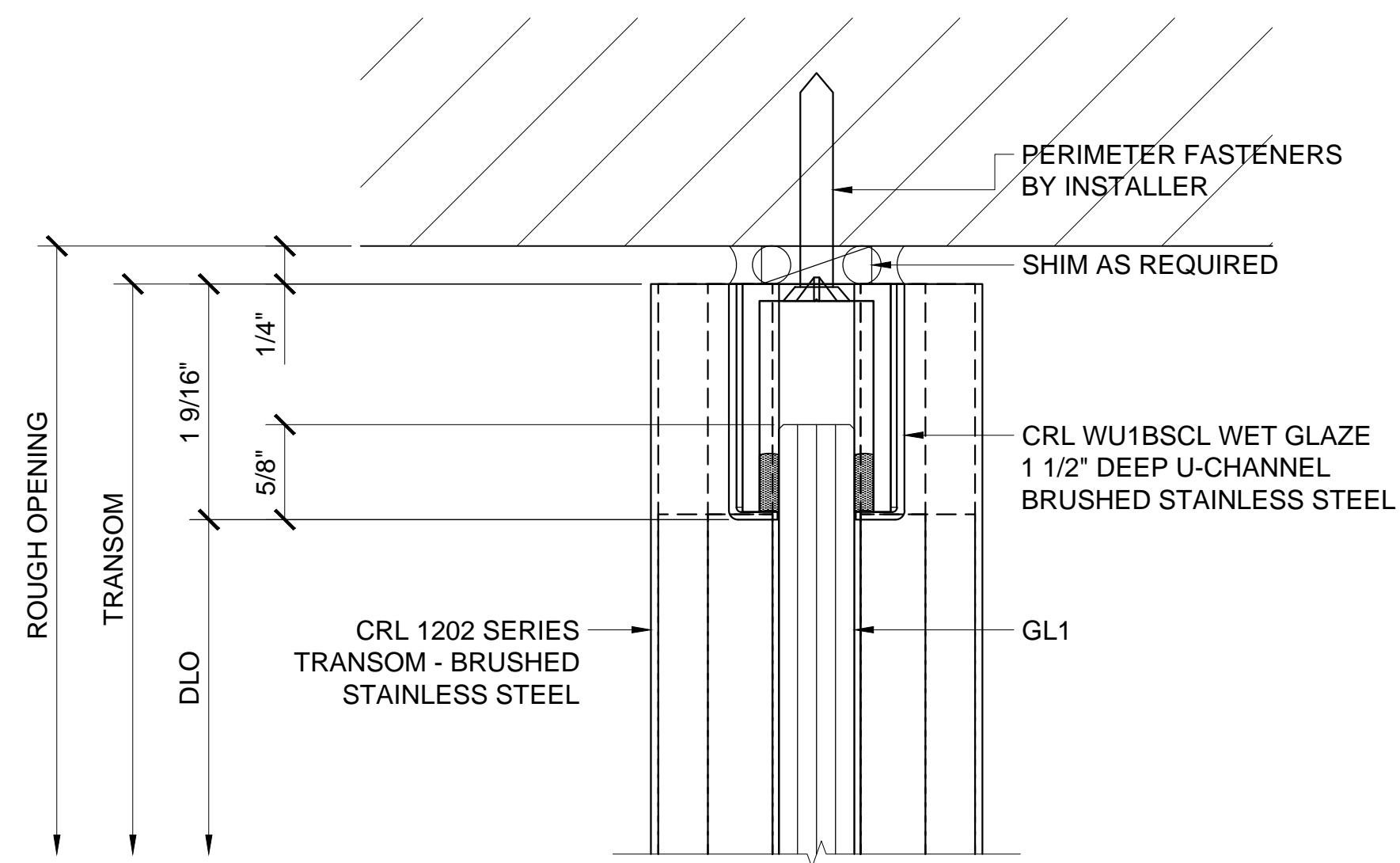
Revisions By:



Description:  
 1202 SERIES SWINGING  
 DOUBLE GLASS DOOR  
 AND SINGLE GLASS DOOR  
 W/ TRANSOM & WO SIDELITES

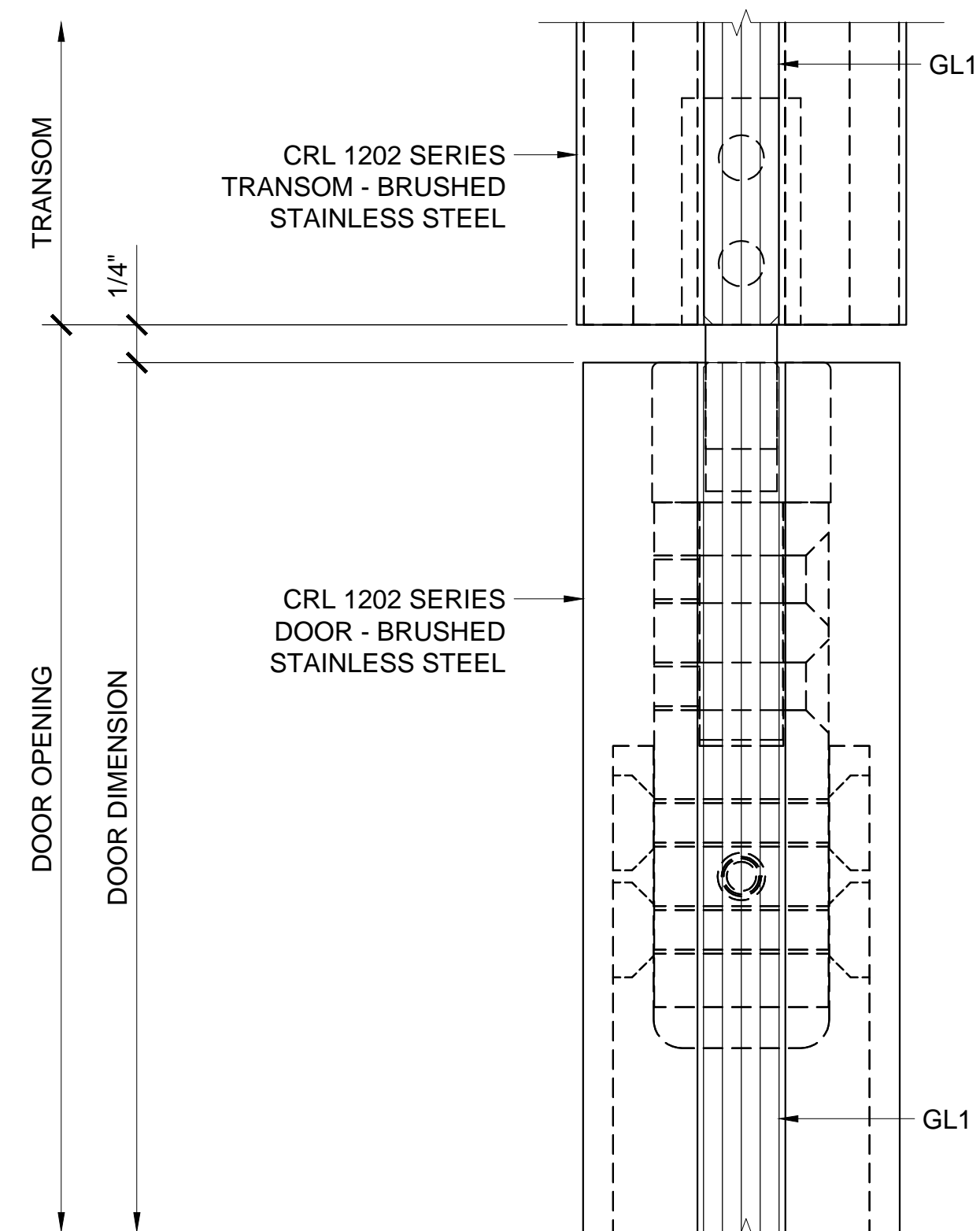
Drawn By: AAD  
 Date: 10/21/15  
 Scale: AS NOTED  
 File Name: 2-1202 Series Swinging  
 Double Glass Door And Single Glass Door  
 - W Transom & WO Sidelites.dwg

Sheet



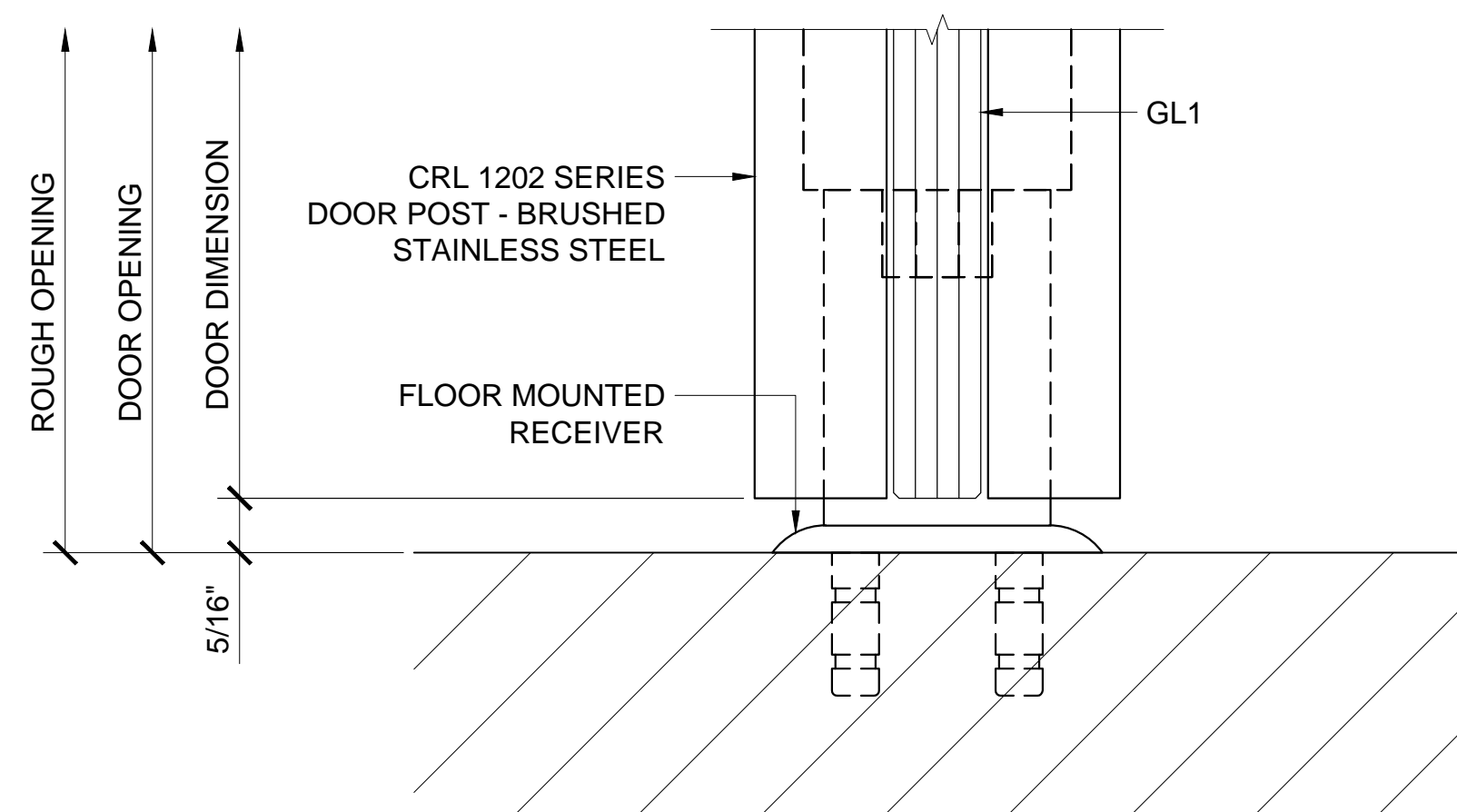
**① TRANSOM HEAD DETAIL**

ARCH REF: 1'-0"=1'-0"



**② DOOR HEAD AT TRANSOM DETAIL**

ARCH REF: 1'-0"=1'-0"



**③ DOOR SILL DETAIL**

ARCH REF: 1'-0"=1'-0"

Revisions By:



Description:  
1202 SERIES SWINGING  
DOUBLE GLASS DOOR  
AND SINGLE GLASS DOOR  
W/ TRANSOM & WO SIDELITES

Drawn By: AAD

Date: 10/21/15

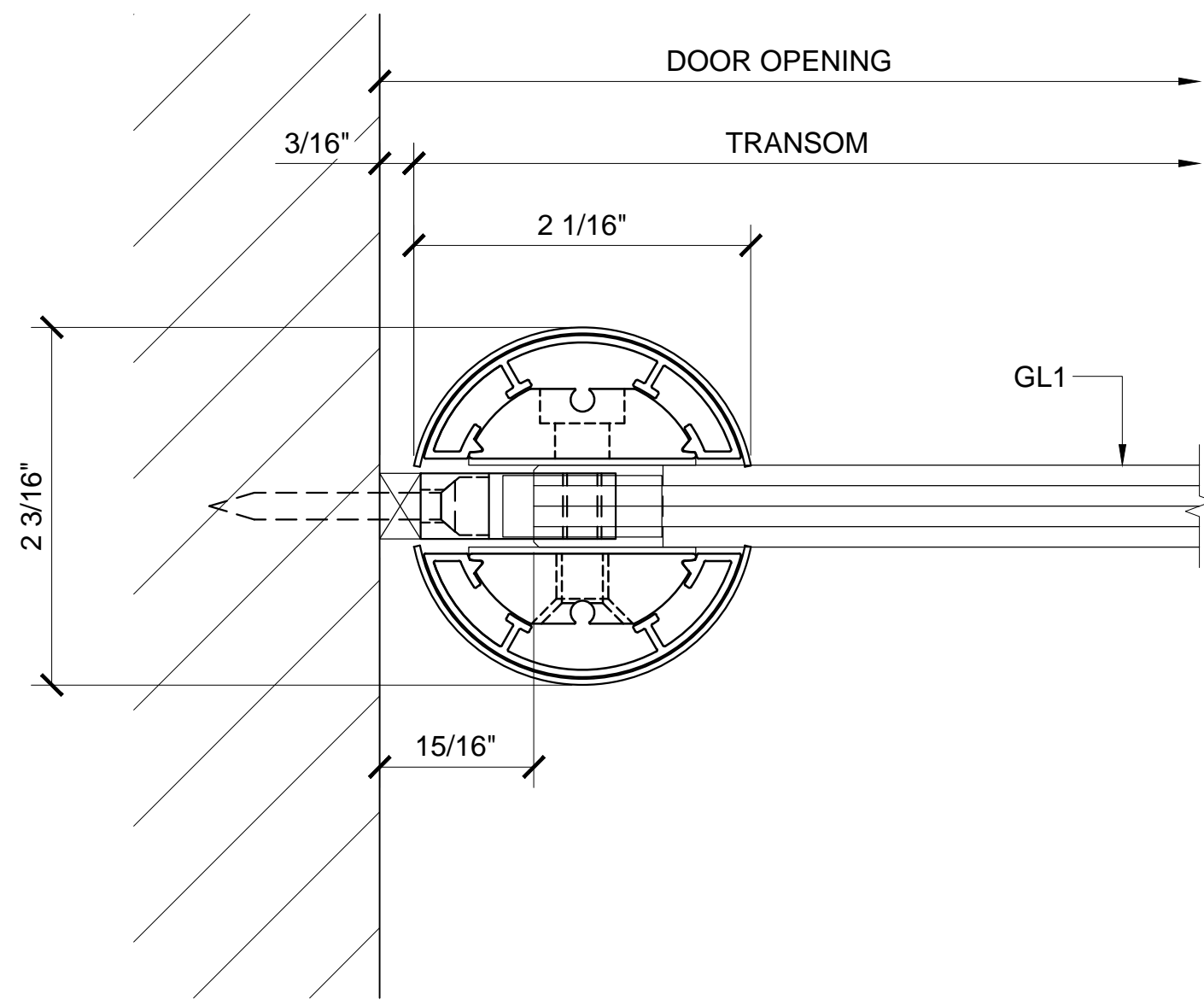
Scale: AS NOTED

File Name: 2-1202 Series Swinging  
Double Glass Door And Single Glass Door  
- W Transom & WO Sidelites.dwg

Sheet

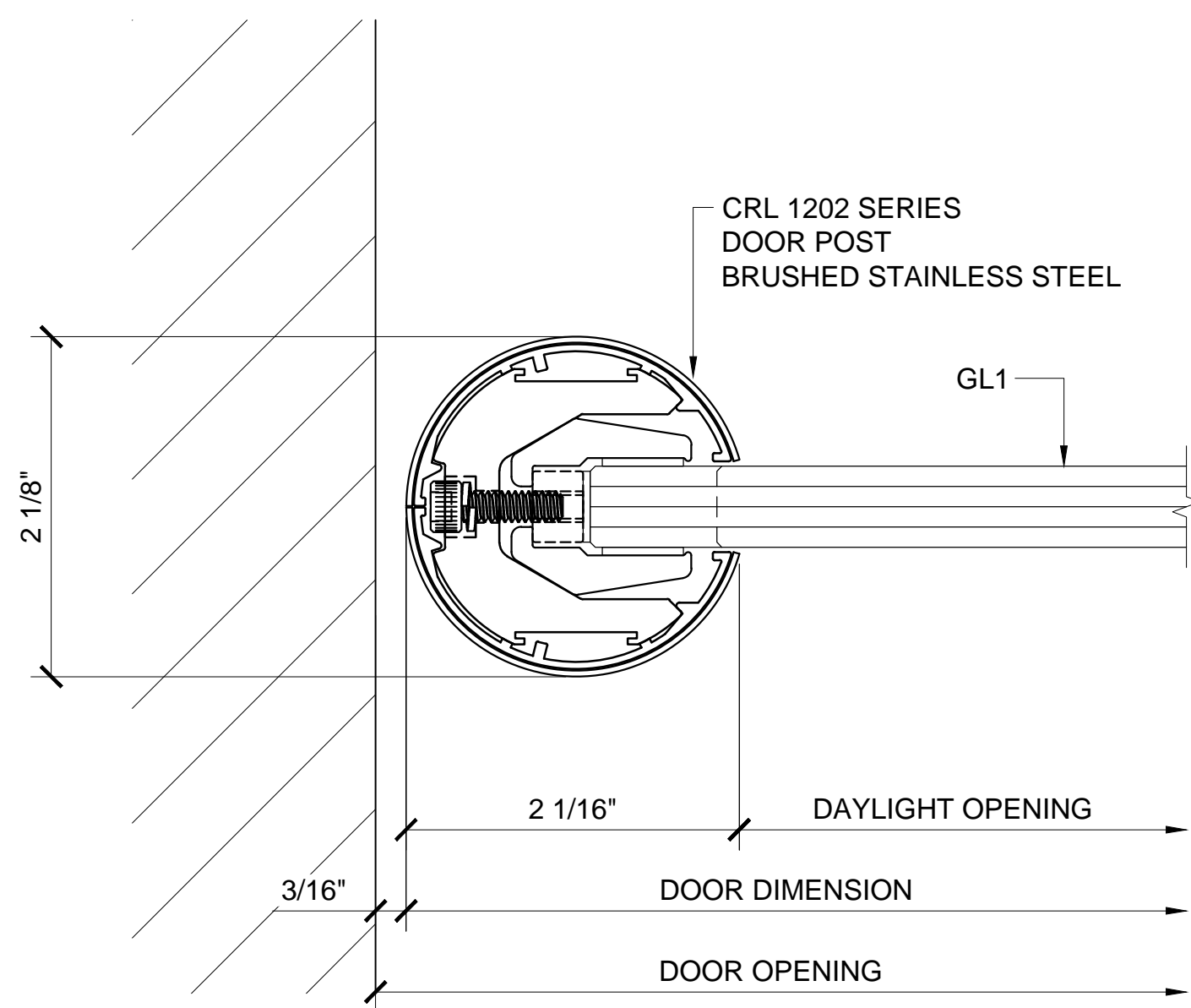
2.03

Revisions By:



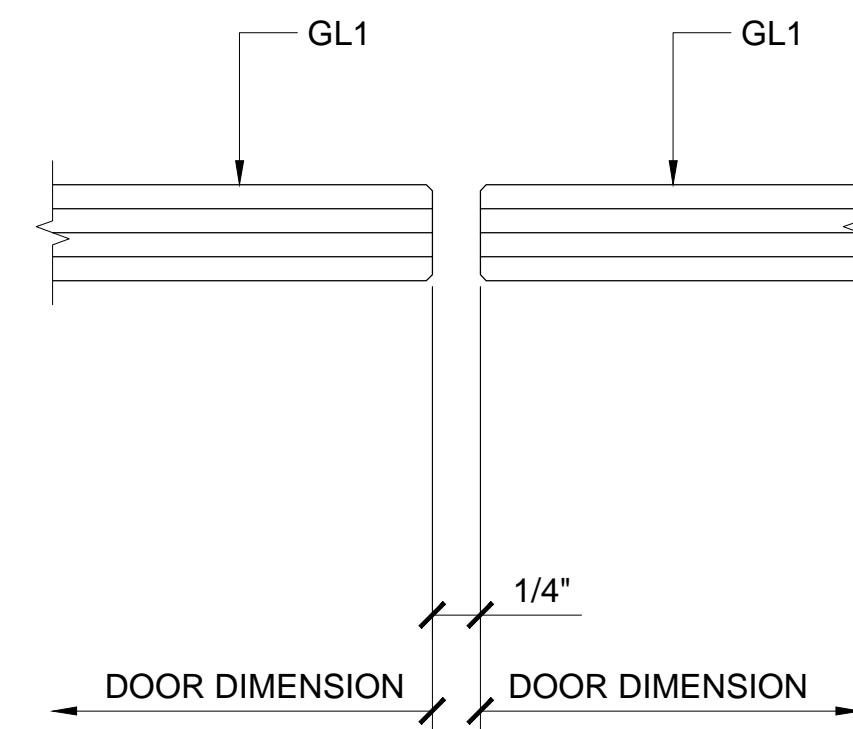
④ TRANSOM POST SECTION AT WALL DETAIL

ARCH REF: 1'-0"=1'-0"



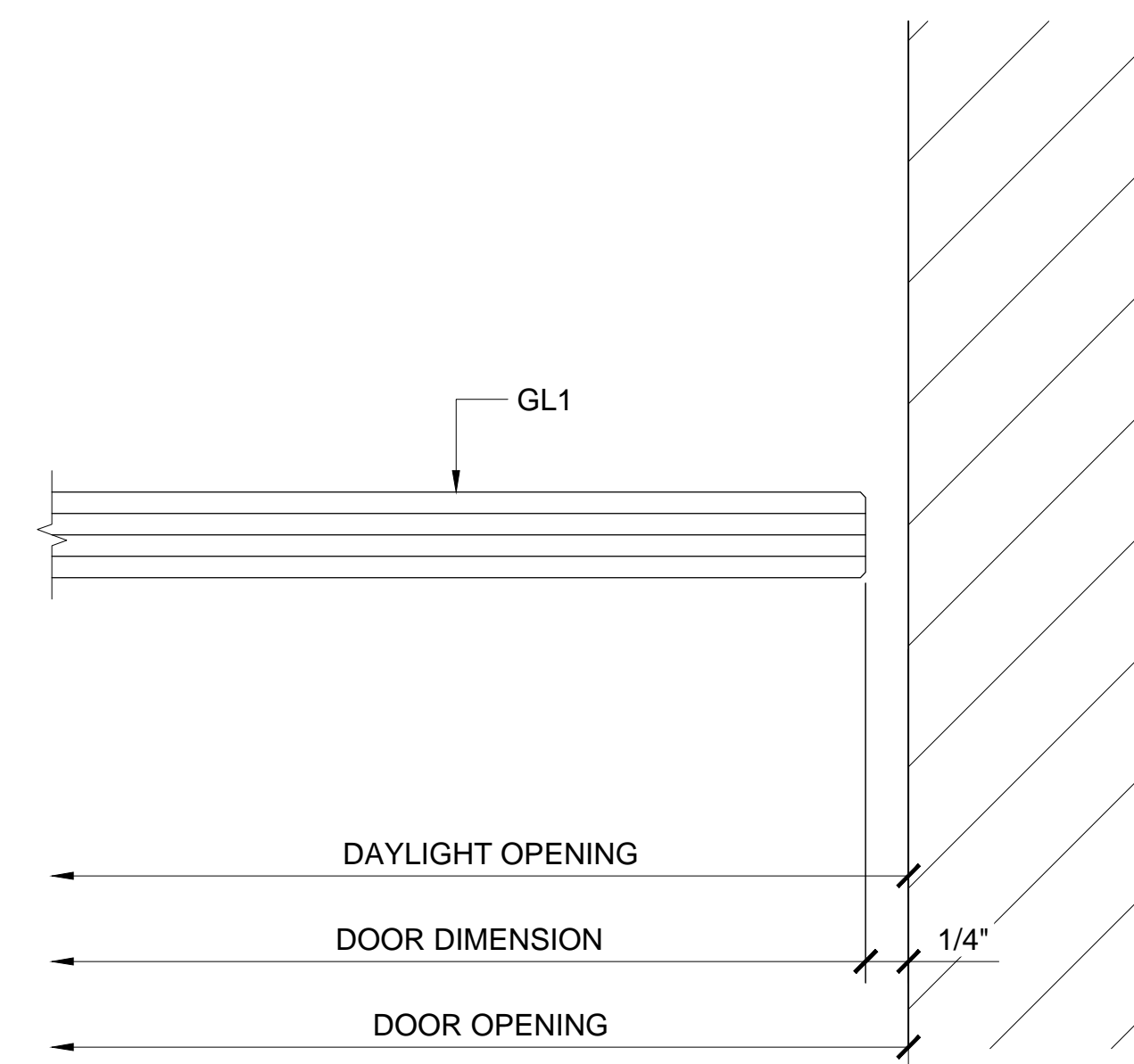
① DOOR PIVOT POST SECTION DETAIL

ARCH REF: 1'-0"=1'-0"



② MEETING STILES

ARCH REF: 1'-0"=1'-0"



③ DOOR JAMB AT WALL

ARCH REF: 1'-0"=1'-0"

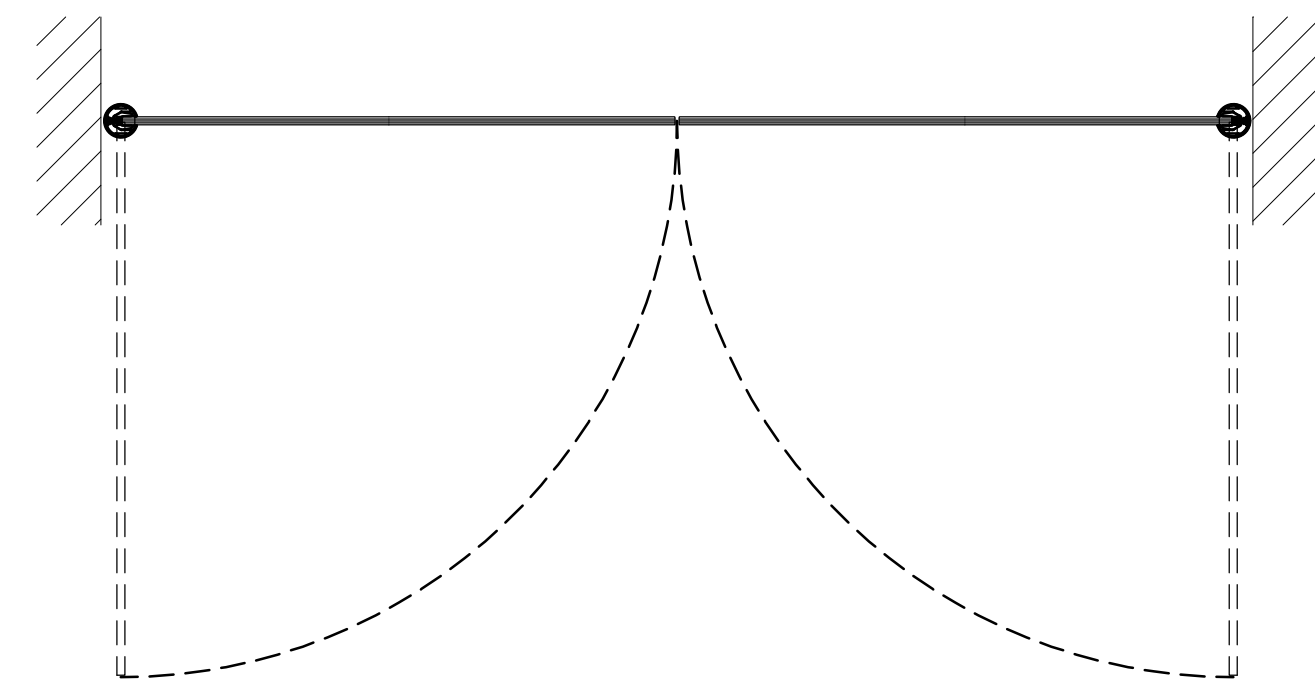
Description:  
1202 SERIES SWINGING  
DOUBLE GLASS DOOR  
AND SINGLE GLASS DOOR  
W/ TRANSOM & WO SIDELITES

Drawn By: AAD  
Date: 10/21/15  
Scale: AS NOTED  
File Name: 2-1202 Series Swinging  
Double Glass Door And Single Glass Door  
- W Transom & WO Sidelites.dwg

Sheet

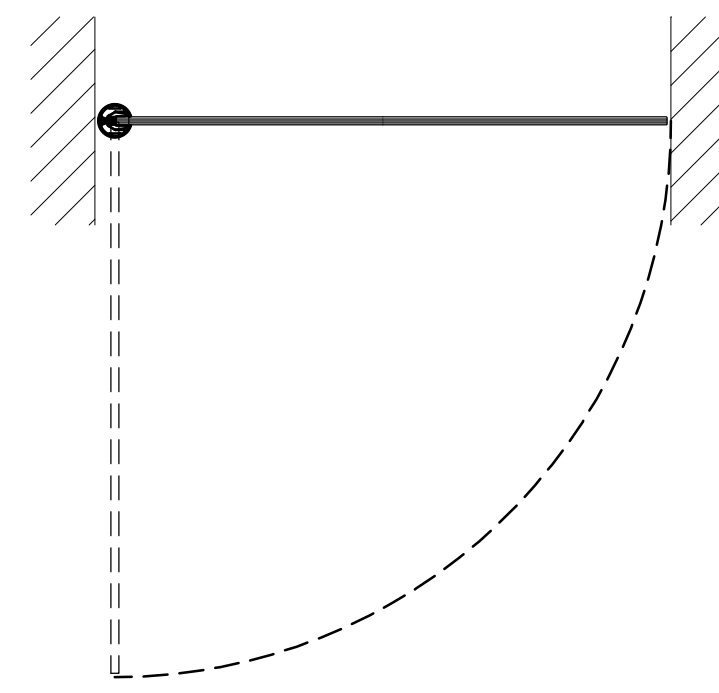


1202 SERIES SWINGING DOUBLE GLASS DOOR AND SINGLE GLASS DOOR - W/ LARGE TRANSOM & W/O SIDELITES  
 23 3/16" MIN TO 27 1/8" MAX HEIGHT



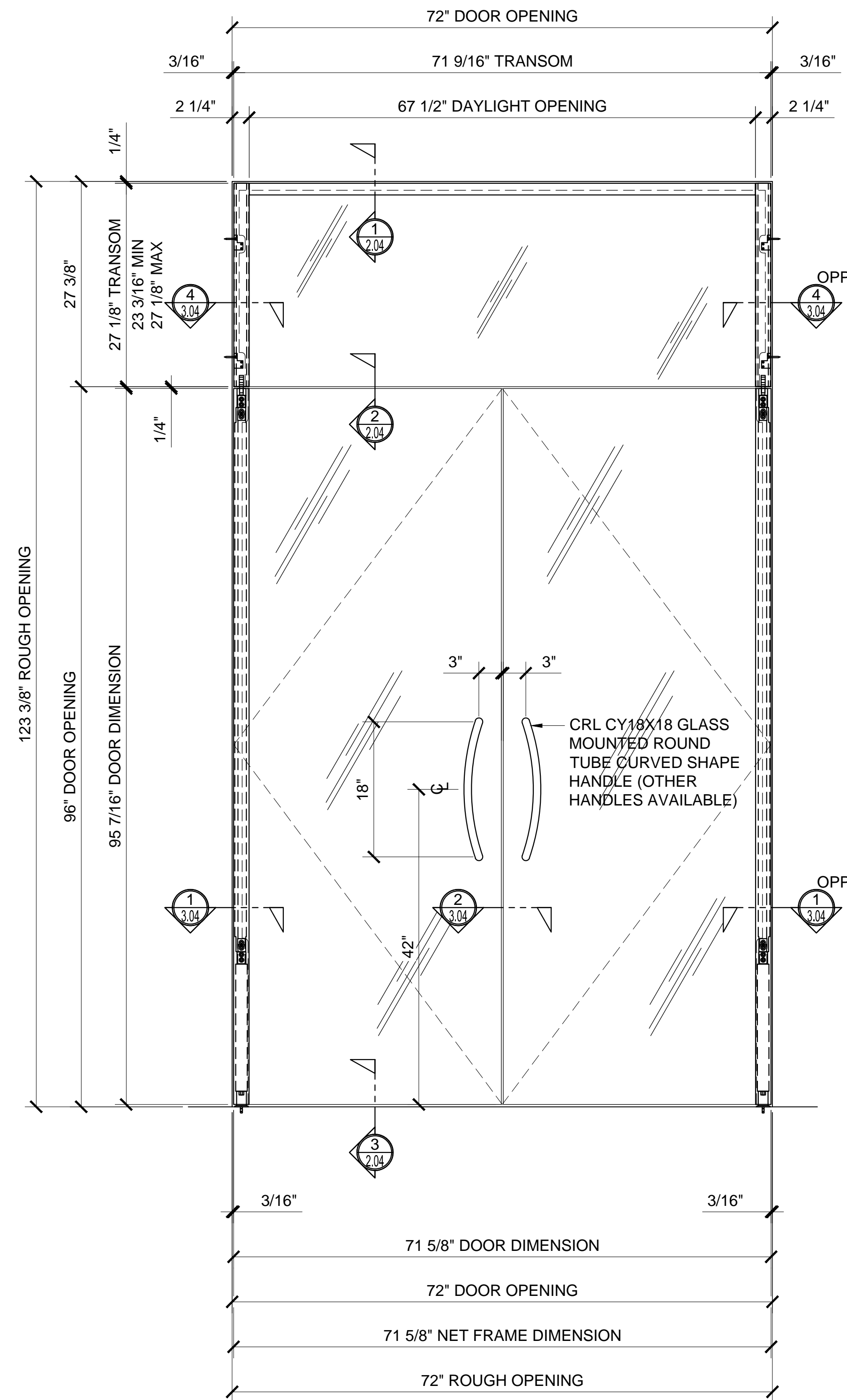
① PLAN

ARCH REF: 1"=1'-0"



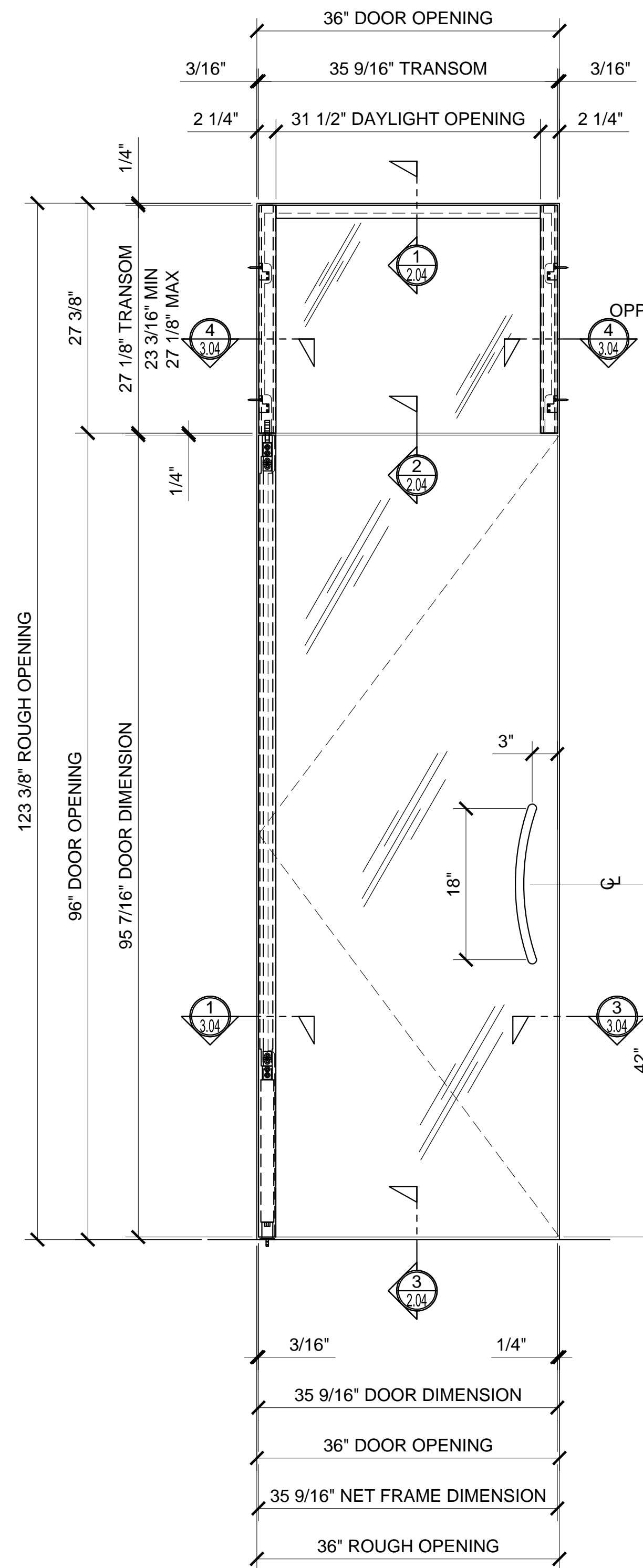
③ PLAN

ARCH REF: 1"=1'-0"



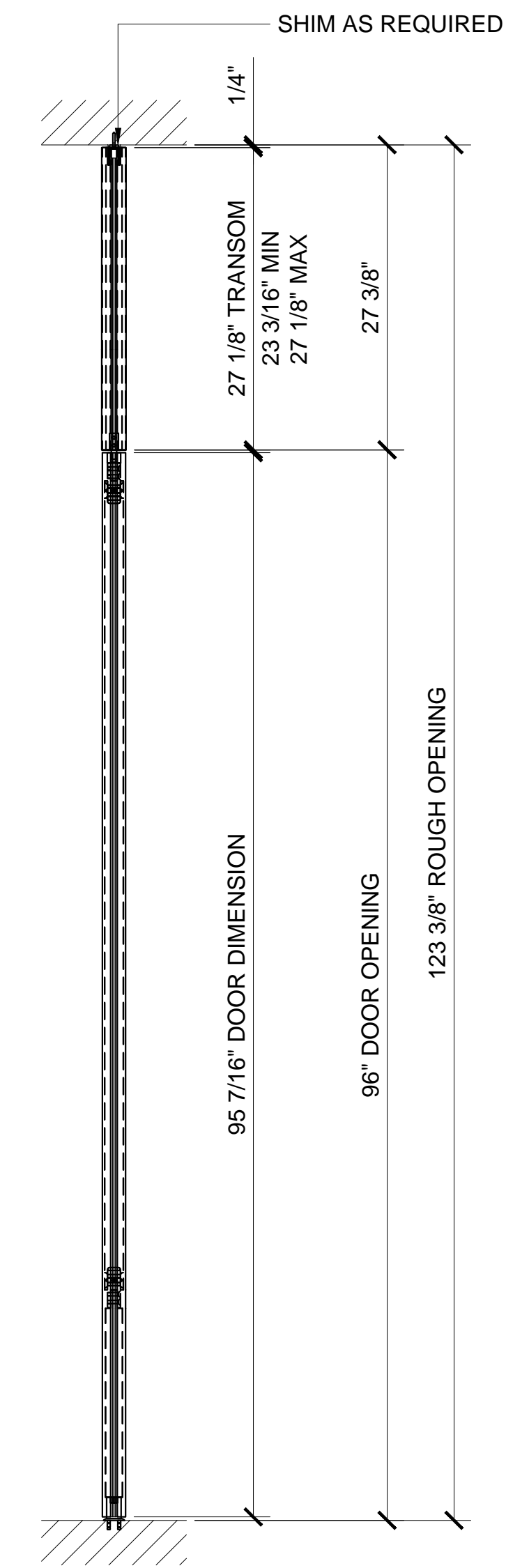
② ELEVATION

ARCH REF: 1"=1'-0"



④ ELEVATION

ARCH REF: 1"=1'-0"



⑤ DOOR SECTION

ARCH REF: 1"=1'-0"

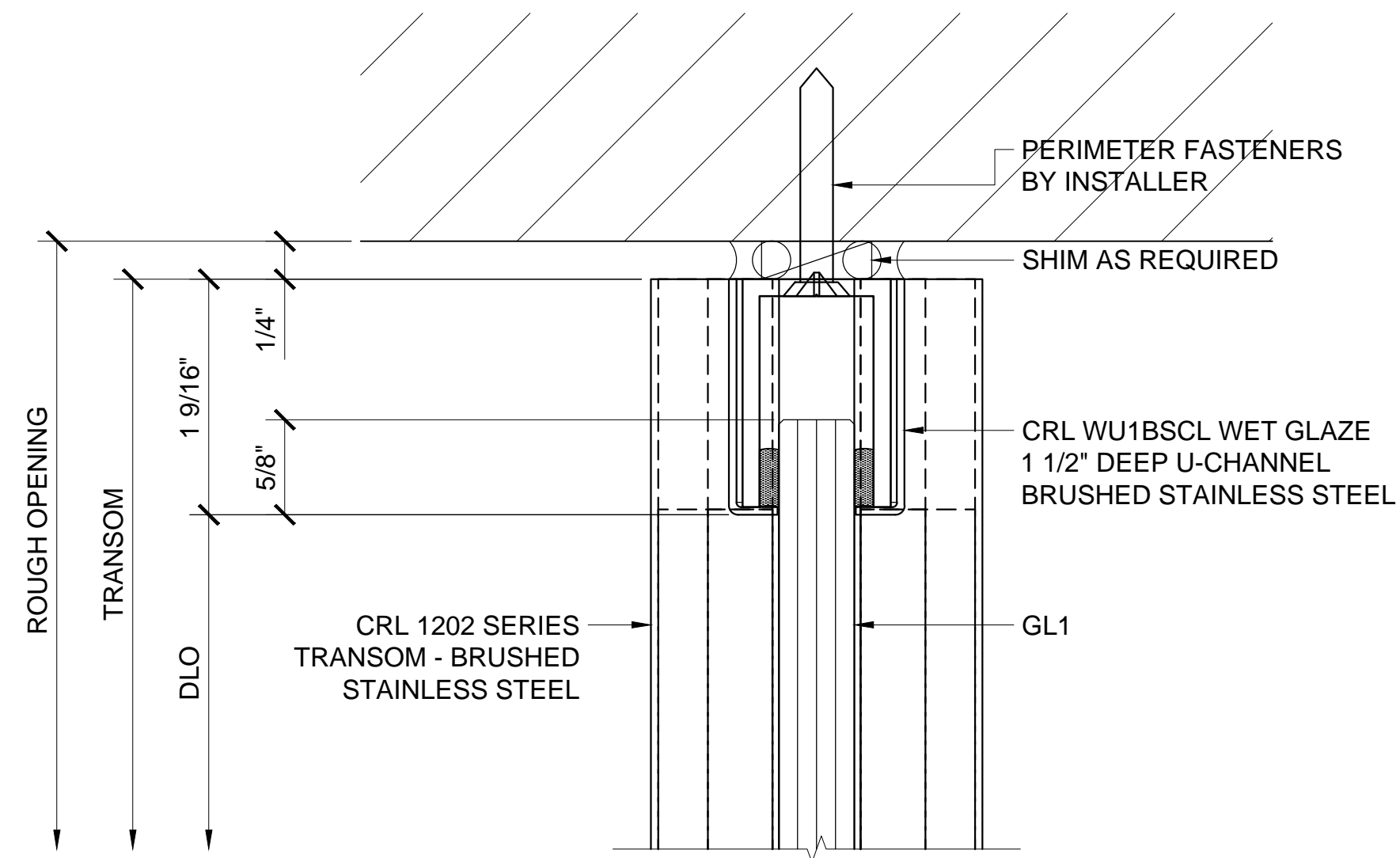
Revisions By:



Description:  
 1202 SERIES SWINGING  
 DOUBLE GLASS DOOR  
 AND SINGLE GLASS DOOR  
 W/ TRANSOM & WO SIDELITES

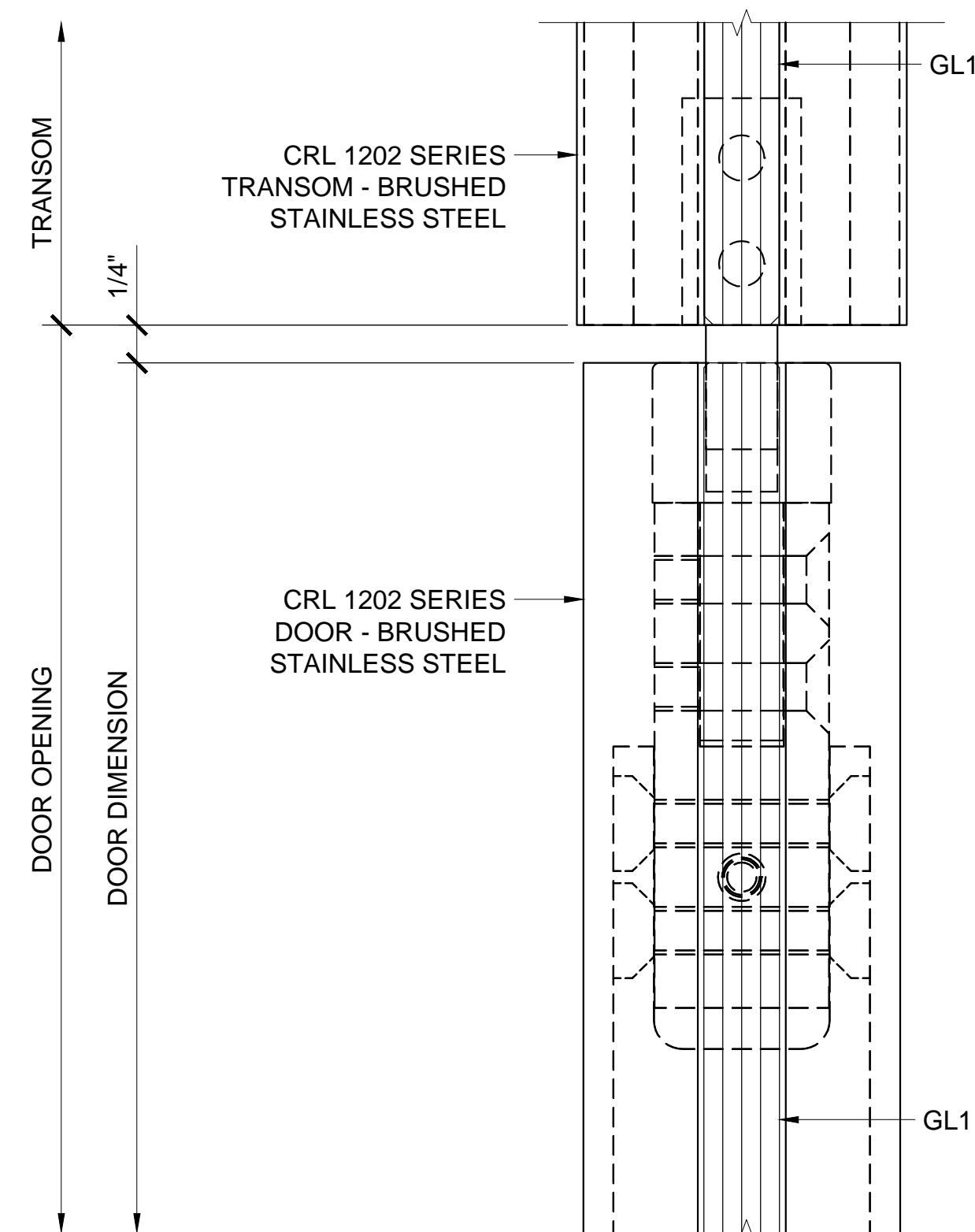
Drawn By: AAD  
 Date: 10/21/15  
 Scale: AS NOTED  
 File Name: 2-1202 Series Swinging  
 Double Glass Door And Single Glass Door  
 - W Transom & WO Sidelites.dwg

Sheet



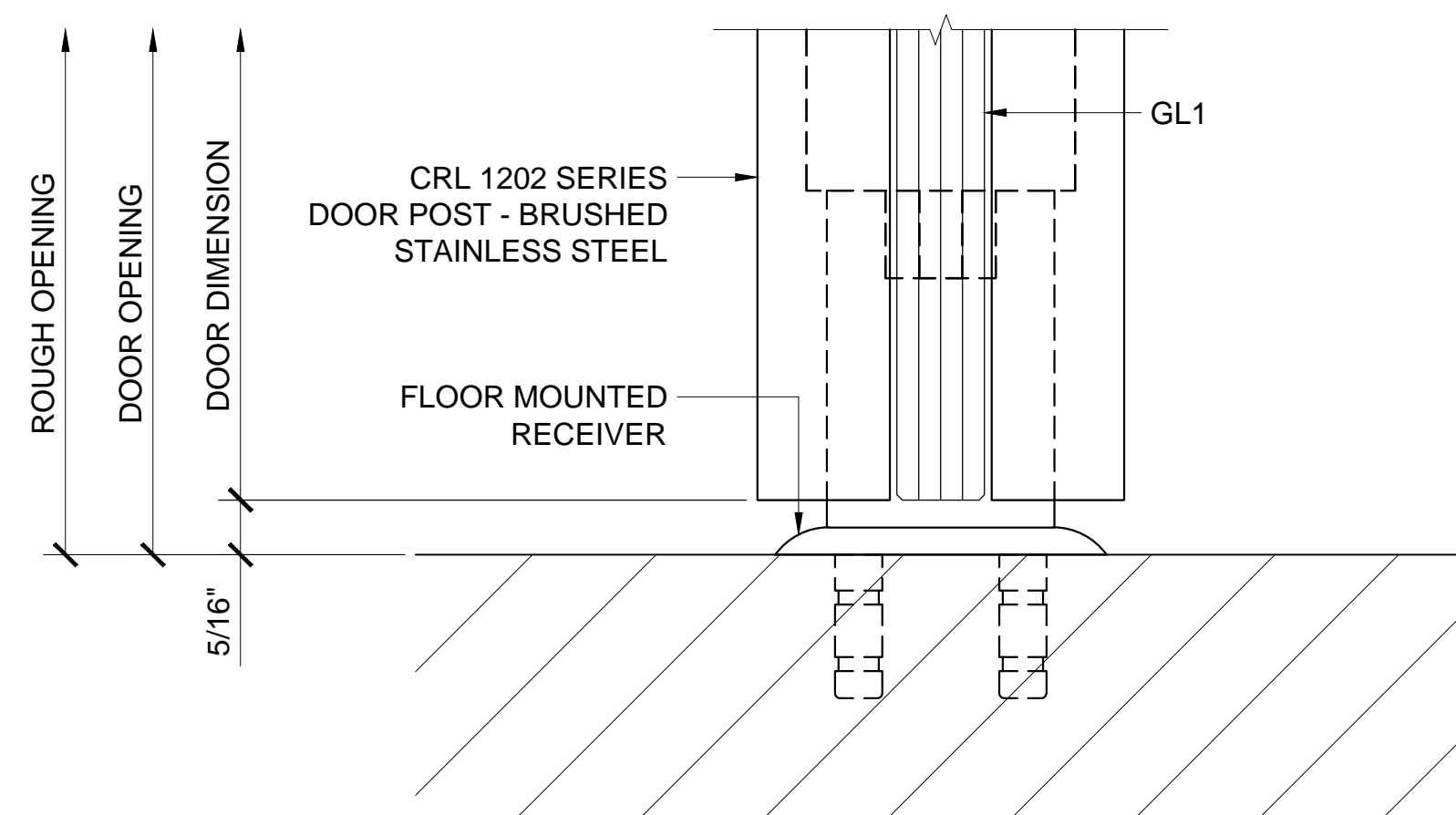
**① TRANSOM HEAD DETAIL**

ARCH REF: 1'-0"=1'-0"



**② DOOR HEAD AT TRANSOM DETAIL**

ARCH REF: 1'-0"=1'-0"



**③ DOOR SILL DETAIL**

ARCH REF: 1'-0"=1'-0"

Revisions By:

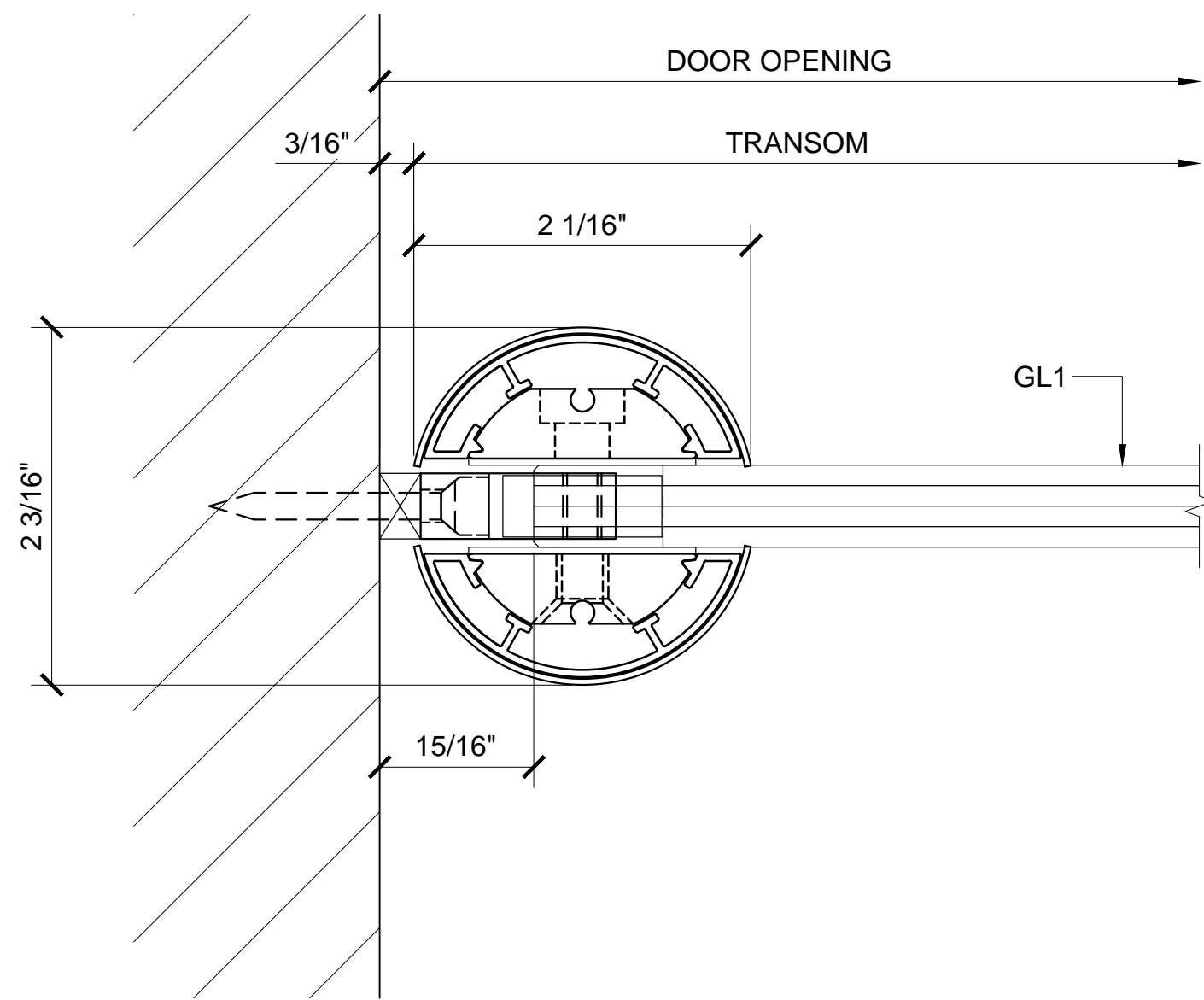


Description:  
1202 SERIES SWINGING  
DOUBLE GLASS DOOR  
AND SINGLE GLASS DOOR  
W/ TRANSOM & WO SIDELITES

Drawn By: AAD  
Date: 10/21/15  
Scale: AS NOTED  
File Name: 2-1202 Series Swinging  
Double Glass Door And Single Glass Door  
- W Transom & WO Sidelites.dwg

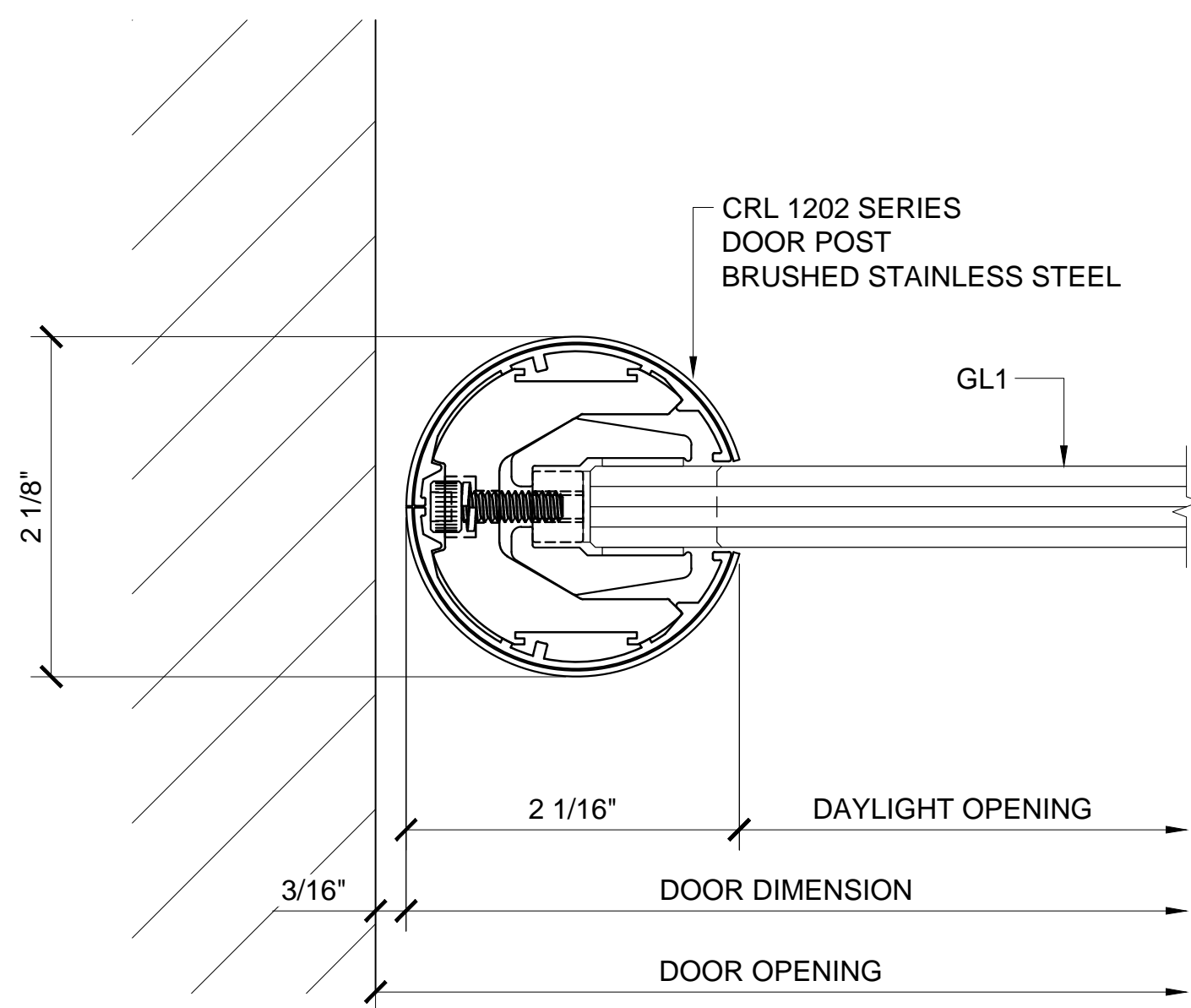
Sheet





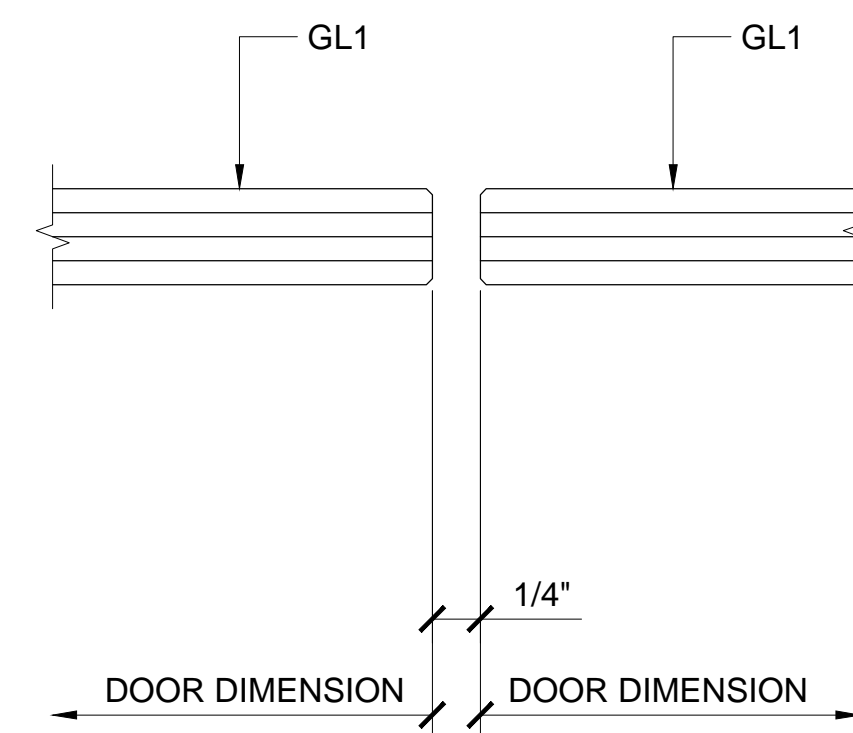
**④ TRANSOM POST SECTION AT WALL DETAIL**

ARCH REF: 1'-0"=1'-0"



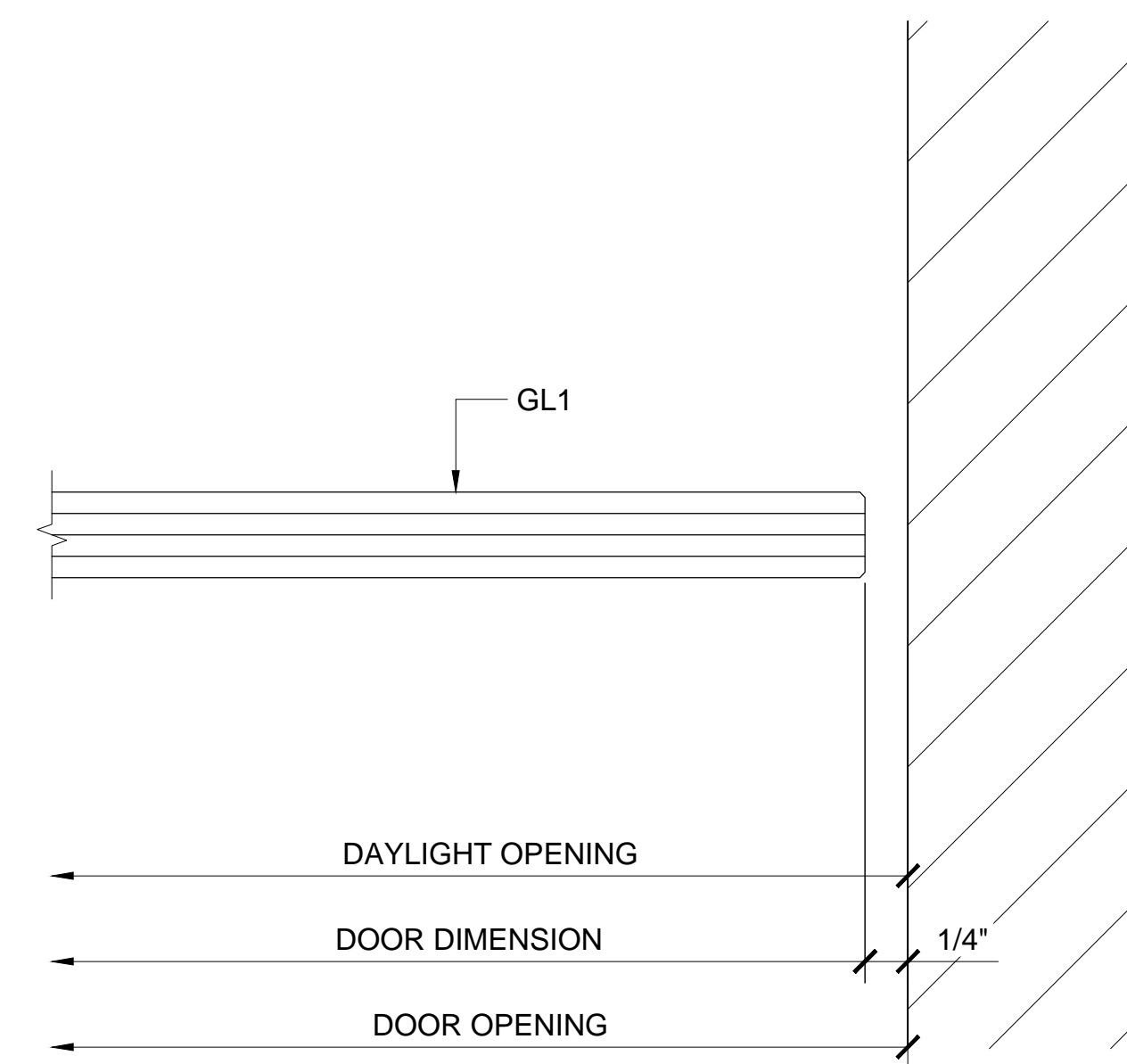
**① DOOR PIVOT POST SECTION DETAIL**

ARCH REF: 1'-0"=1'-0"



**② MEETING STILES**

ARCH REF: 1'-0"=1'-0"



**③ DOOR JAMB AT WALL**

ARCH REF: 1'-0"=1'-0"

Revisions By:



C.R. LAURENCE CO. ARCHITECTURAL PRODUCTS  
2503 E. Vernon Avenue, Los Angeles, CA 90058-1897  
PH: (800)-421-6144 FX: 800-587-7301 www.crlaurence.com

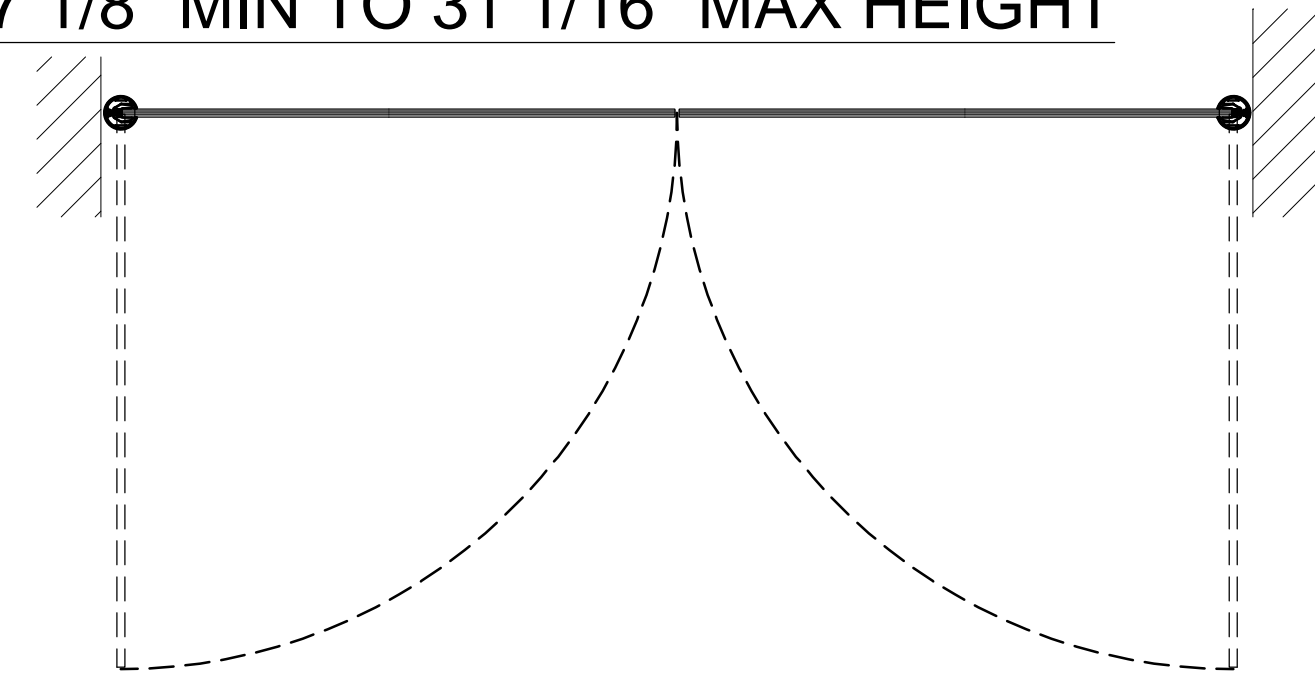
Description:  
1202 SERIES SWINGING  
DOUBLE GLASS DOOR  
AND SINGLE GLASS DOOR  
W/ TRANSOM & WO SIDELITES

Drawn By: AAD  
Date: 10/21/15  
Scale: AS NOTED  
File Name: 2-1202 Series Swinging  
Double Glass Door And Single Glass Door  
- W Transom & WO Sidelites.dwg

Sheet

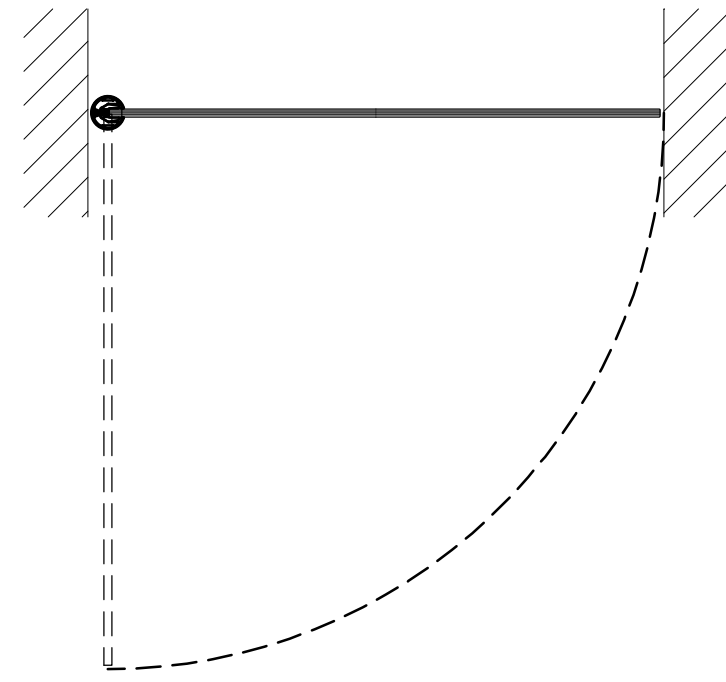


1202 SERIES SWINGING DOUBLE GLASS DOOR AND SINGLE GLASS DOOR - W/ X-LARGE TRANSOM & W/O SIDELITES  
27 1/8" MIN TO 31 1/16" MAX HEIGHT



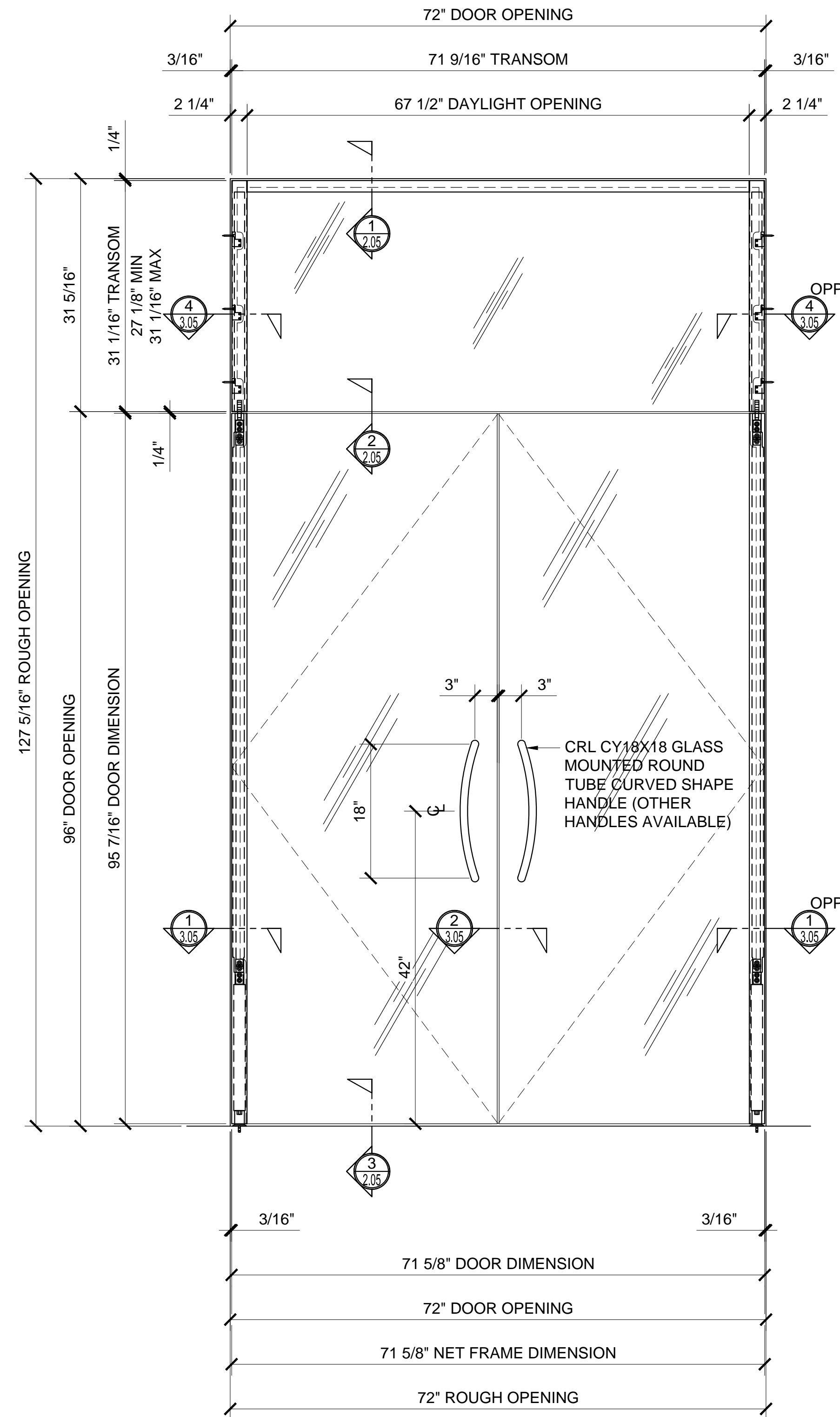
① PLAN

ARCH REF: 1"=1'-0"



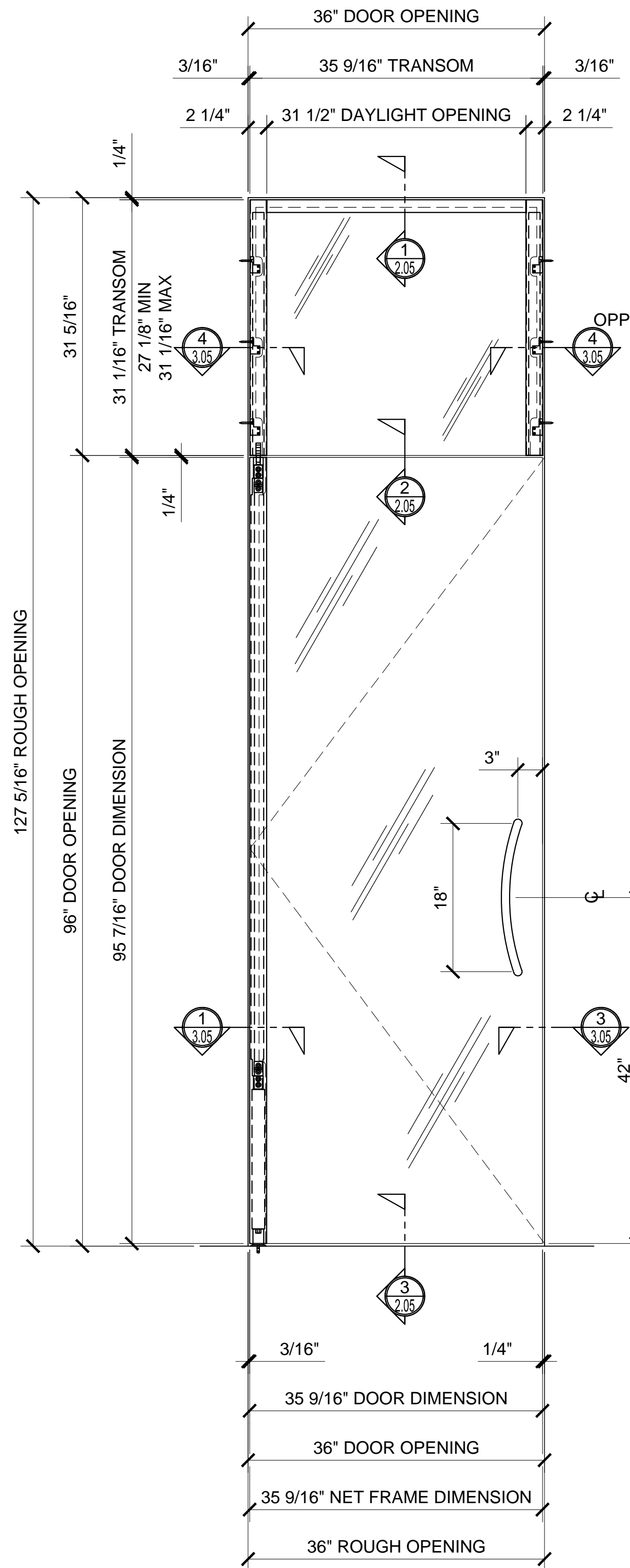
③ PLAN

ARCH REF: 1"=1'-0"



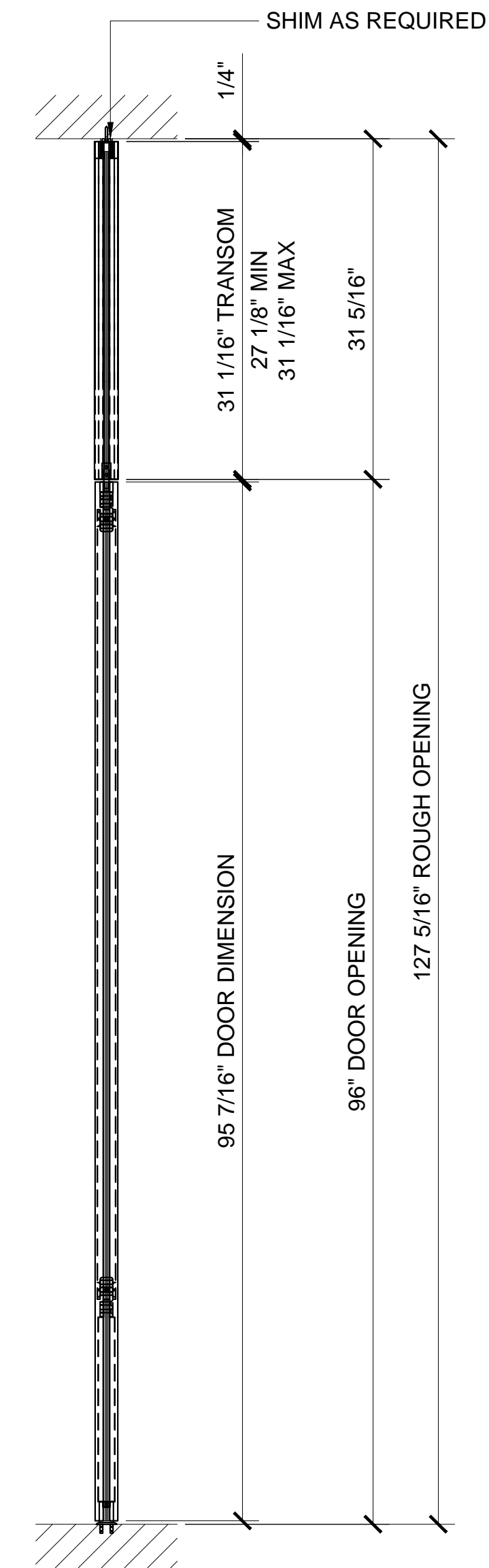
② ELEVATION

ARCH REF: 1"=1'-0"



④ ELEVATION

ARCH REF: 1"=1'-0"



⑤ DOOR SECTION

ARCH REF: 1"=1'-0"

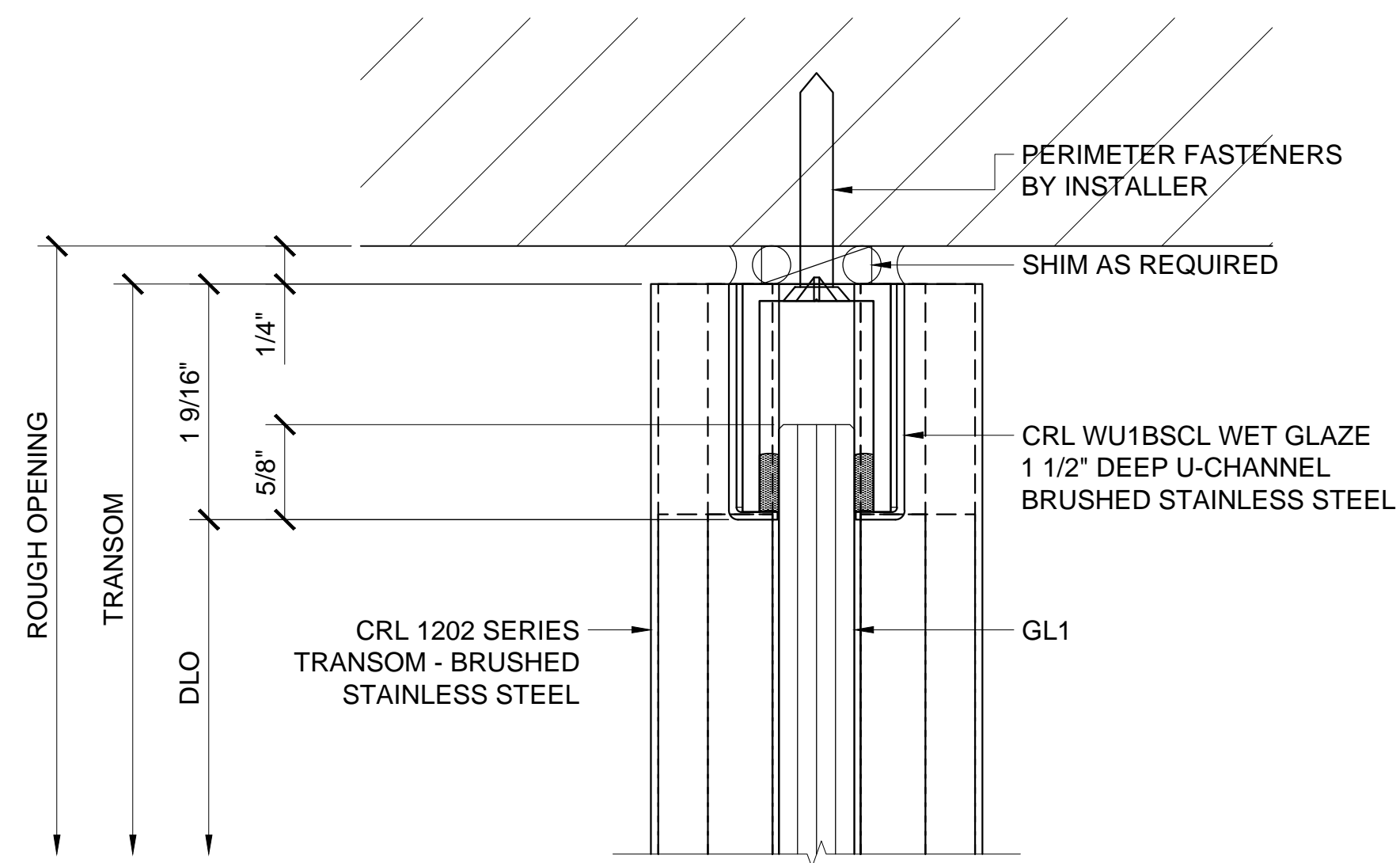
Revisions By:



Description:  
1202 SERIES SWINGING  
DOUBLE GLASS DOOR  
AND SINGLE GLASS DOOR  
W/ TRANSOM & WO SIDELITES

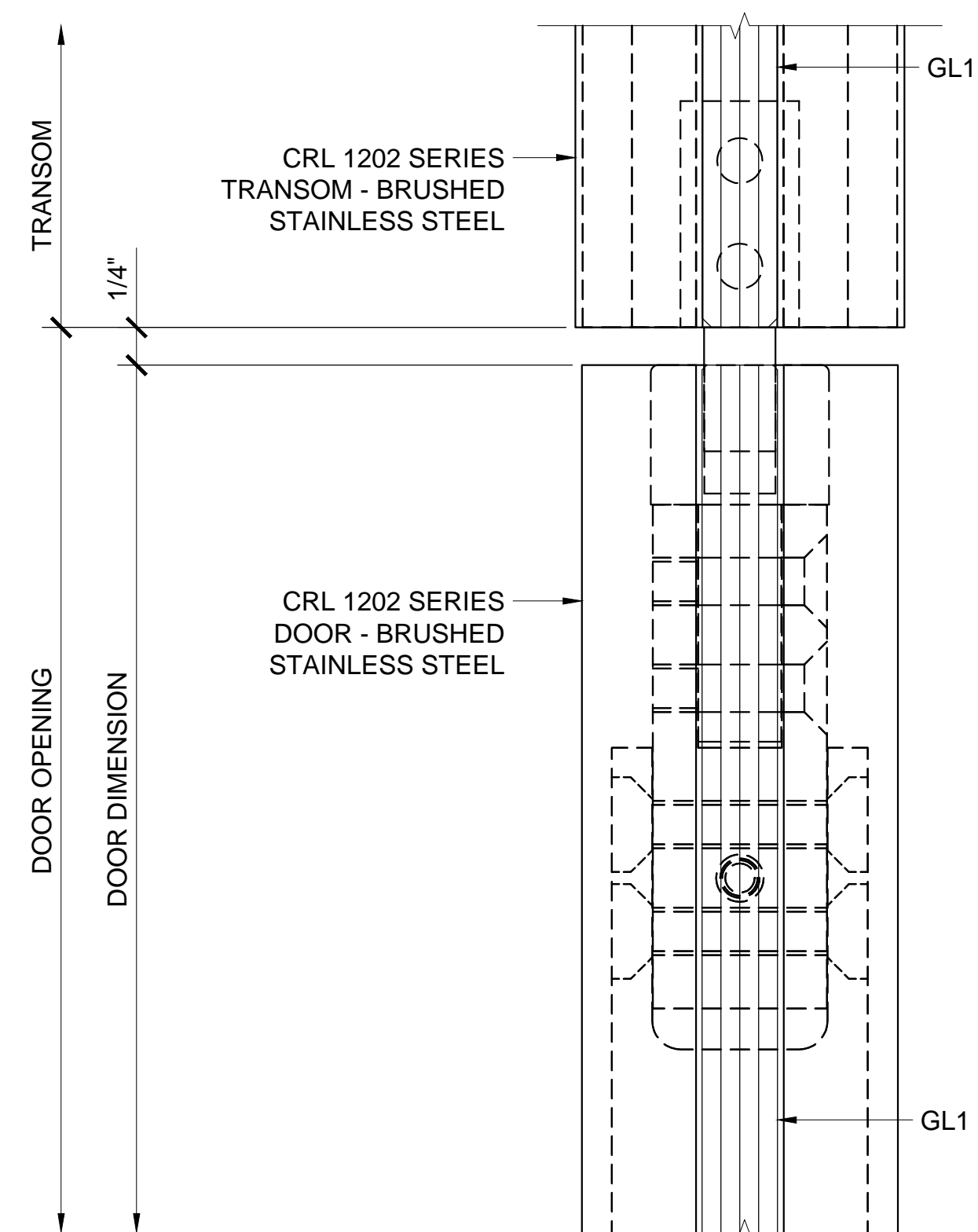
Drawn By: AAD  
Date: 10/21/15  
Scale: AS NOTED  
File Name: 2-1202 Series Swinging  
Double Glass Door And Single Glass Door  
- W Transom & WO Sidelites.dwg

Sheet



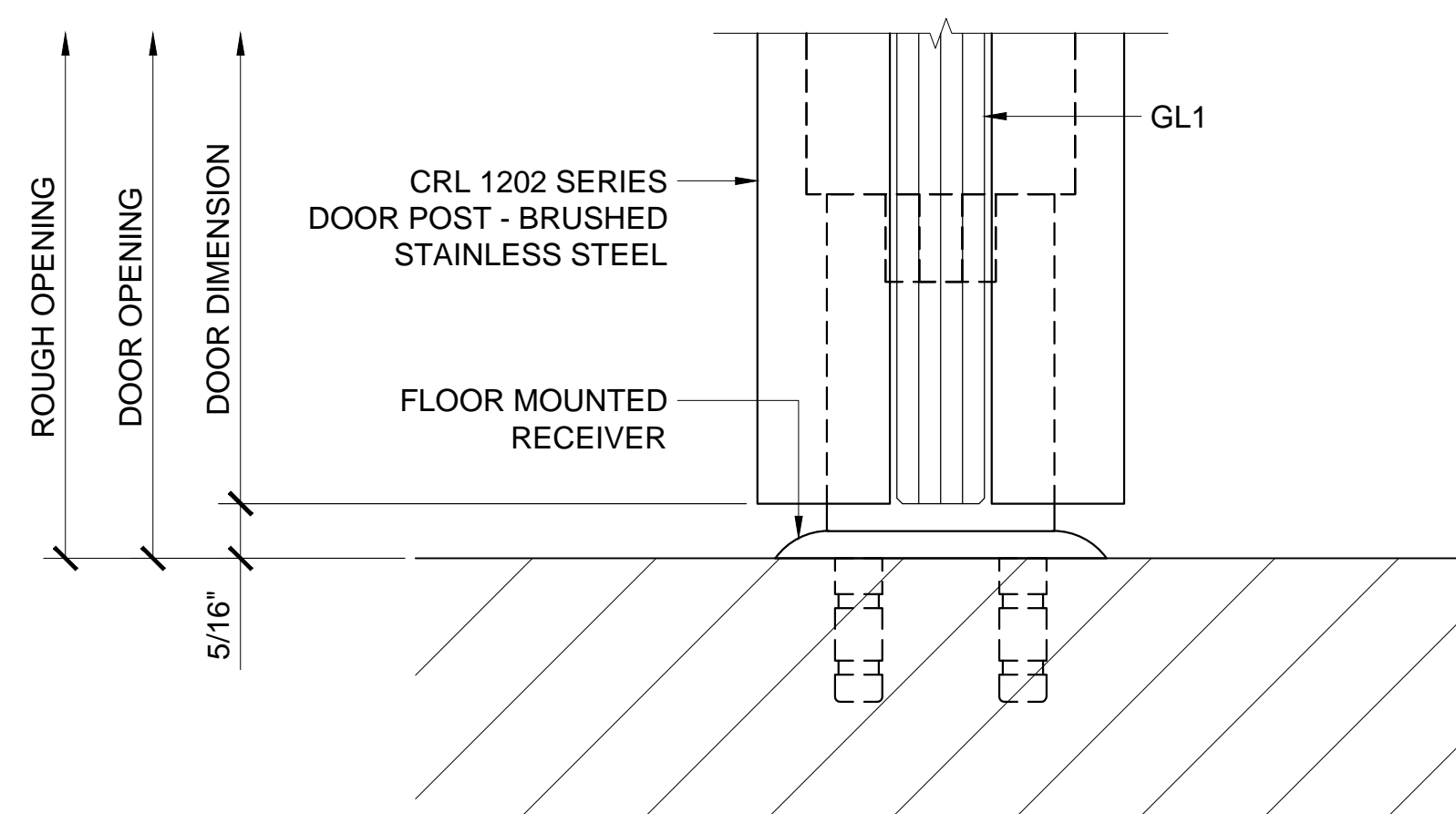
**① TRANSOM HEAD DETAIL**

ARCH REF: 1'-0"=1'-0"



**② DOOR HEAD AT TRANSOM DETAIL**

ARCH REF: 1'-0"=1'-0"



**③ DOOR SILL DETAIL**

ARCH REF: 1'-0"=1'-0"

Revisions By:



Description:  
1202 SERIES SWINGING  
DOUBLE GLASS DOOR  
AND SINGLE GLASS DOOR  
W/ TRANSOM & WO SIDELITES

Drawn By: AAD

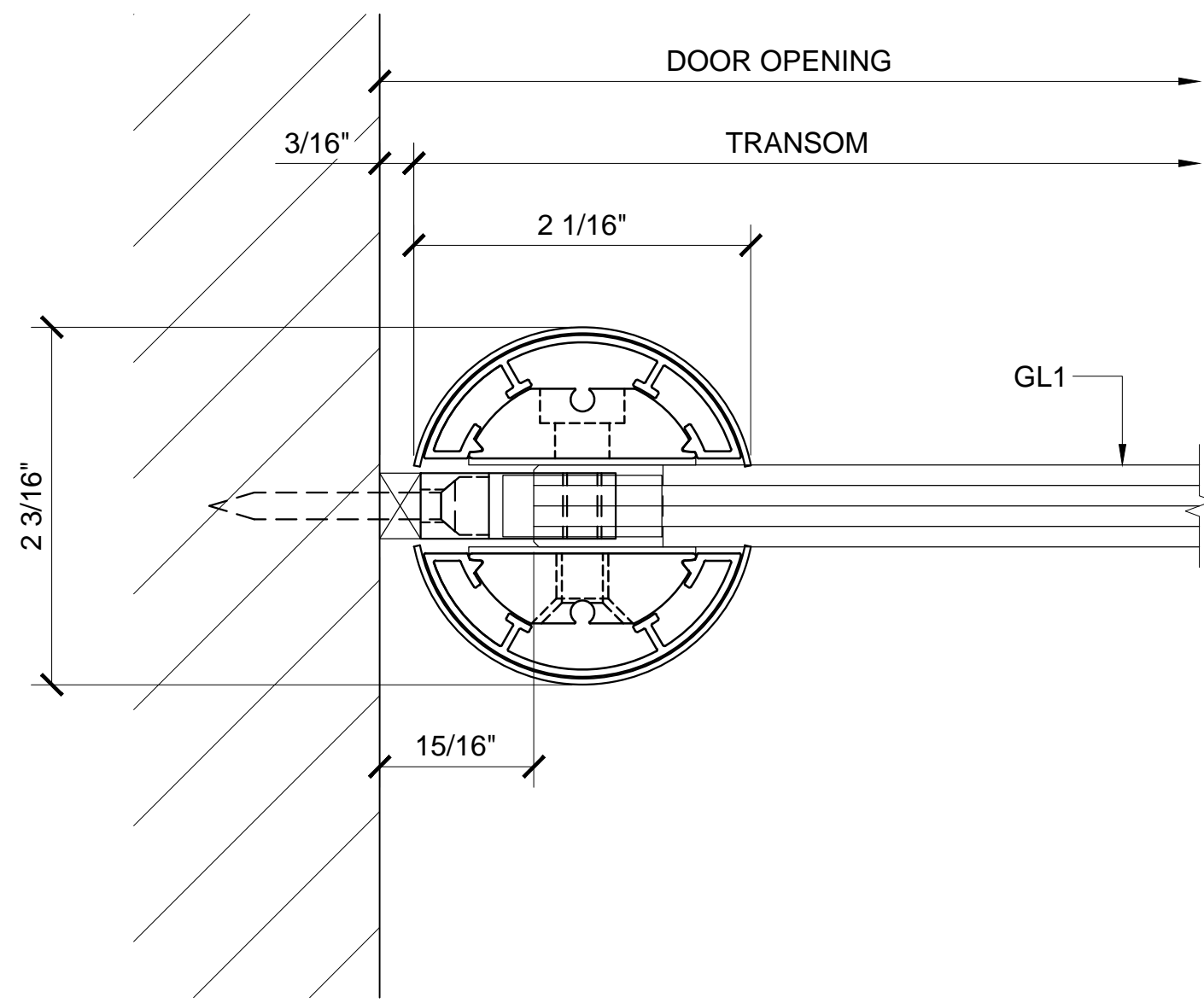
Date: 10/21/15

Scale: AS NOTED

File Name: 2-1202 Series Swinging  
Double Glass Door And Single Glass Door  
- W Transom & WO Sidelites.dwg

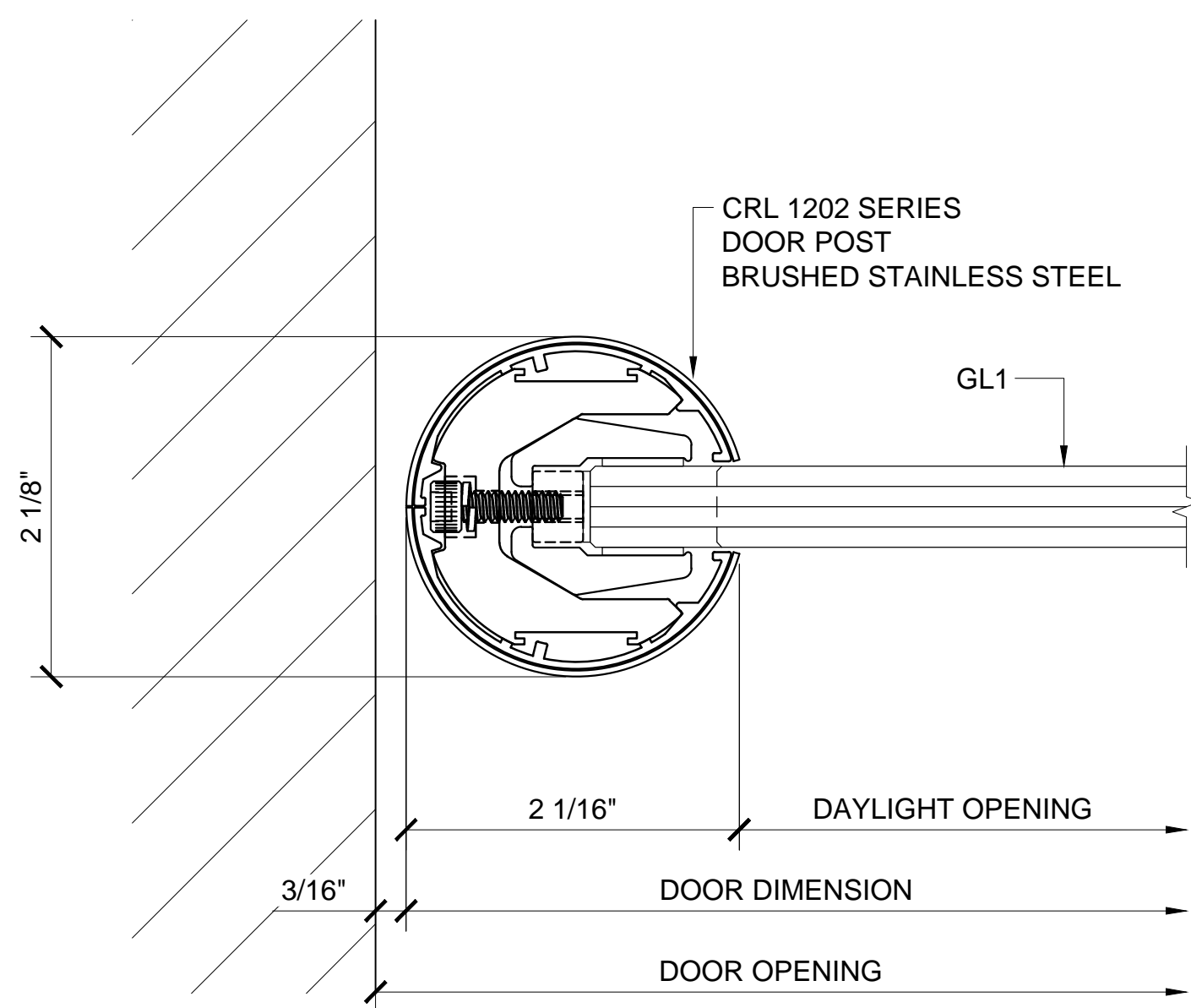
Sheet

2.05



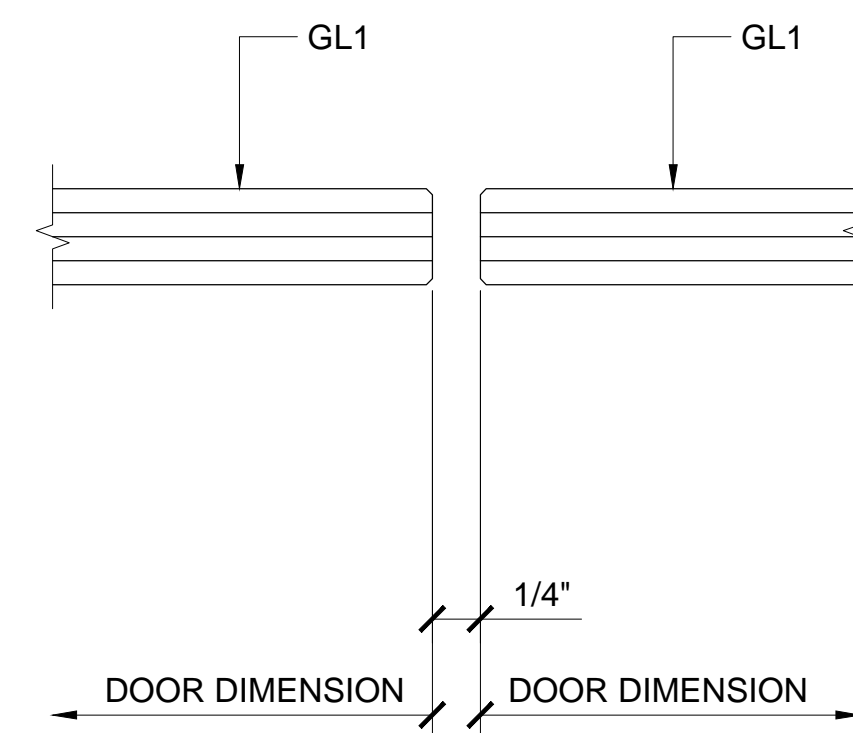
**④ TRANSOM POST SECTION AT WALL DETAIL**

ARCH REF: 1'-0"=1'-0"



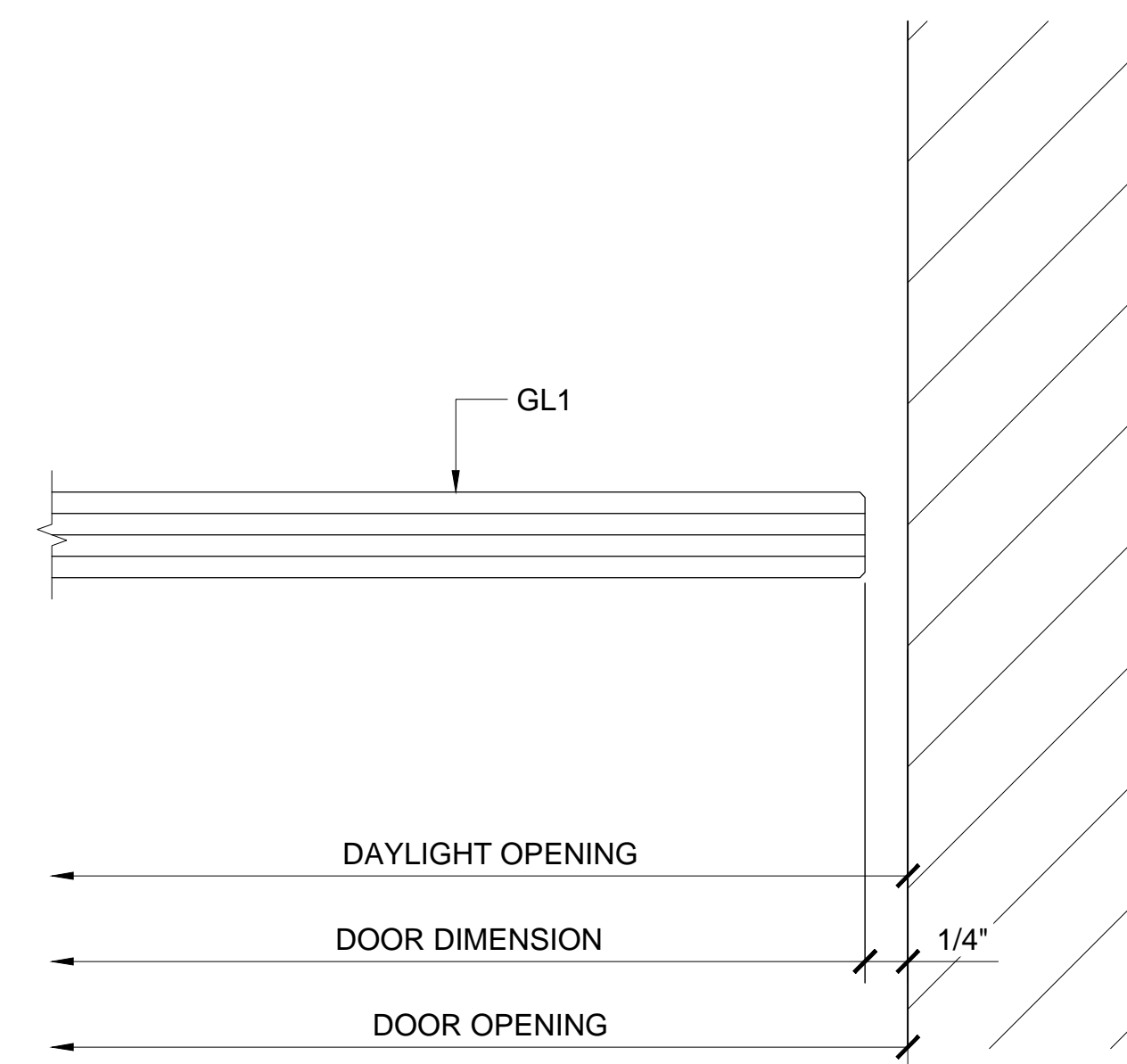
**① DOOR PIVOT POST SECTION DETAIL**

ARCH REF: 1'-0"=1'-0"



**② MEETING STILES**

ARCH REF: 1'-0"=1'-0"



**③ DOOR JAMB AT WALL**

ARCH REF: 1'-0"=1'-0"

Revisions By:



Description:  
1202 SERIES SWINGING  
DOUBLE GLASS DOOR  
AND SINGLE GLASS DOOR  
W/ TRANSOM & WO SIDELITES

Drawn By: AAD  
Date: 10/21/15  
Scale: AS NOTED  
File Name: 2-1202 Series Swinging  
Double Glass Door And Single Glass Door  
- W Transom & WO Sidelites.dwg

Sheet

3.05