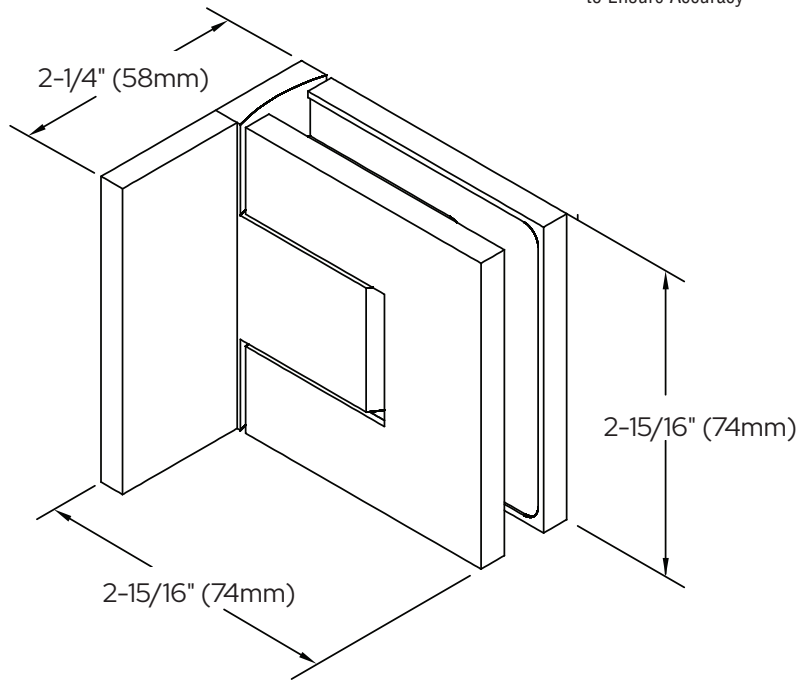


*** SEE TEMPLATE ON BACK ***
Refer to Dimensions Shown
to Ensure Accuracy



BELLAGIO

Wall Mount Offset Backplate Hinge

CAT. NO. BEL344

Important Information:

1). This is a double acting self-centering hinge and it adjusts to accommodate a desired door angle up to 90°, after the door is installed. This is achieved by loosening the two Allen set screws (located in the center block), moving the door to the desired position, and then tightening the set screws. The self-centering position has now been changed to the angle you desire.

Specifications:

Glass Sizes:	5/16" (8mm) to 3/8" (10mm) thick tempered safety glass
Construction:	Solid brass
Closing Type:	Self-centering when within 15° of closed position
Cutout Required	
Includes:	Gaskets, screws and template

Maximum Door Capacities for Two Hinges

Maximum Door Weight:	110 lbs.(50 kg)
Maximum Door Width:	39-3/8"(1000mm)

Use of Gaskets:

For 5/16"(8mm) Glass: Use one thick gasket on each side

For 3/8"(10mm) Glass: Use one thin gasket on each side

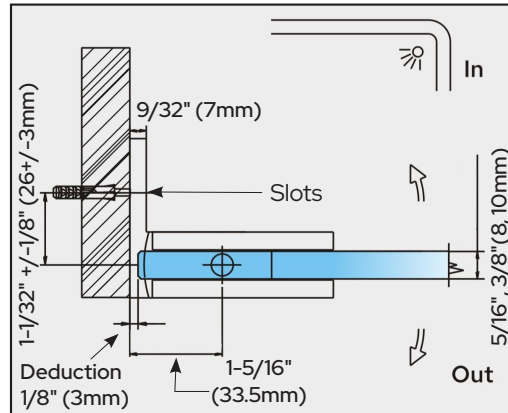
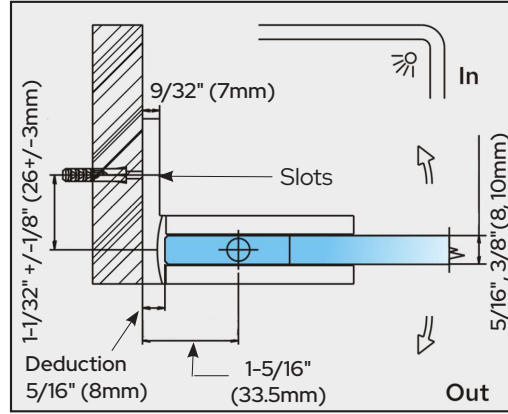
Recommendations:


For public safety, we recommend the use of only tempered safety glass. Do not use power tools when installing these hinges.

Maintenance Guidelines:

- Never use an abrasive cleaner on the hardware. Many of the components are coated with a clear lacquer that will be irreparably damaged if subjected to harsh, abrasive chemicals. Advise your customer that drying the hardware with a clean, soft towel on a daily basis is the best way to maintain the hardware. If mineral deposits build-up, mix a couple of drops of a mild liquid soap (such as Ivory or a similar product) into a cup of warm water. Using a soft, non-abrasive cloth, clean the hardware. Rinse thoroughly with clean, warm water and dry.

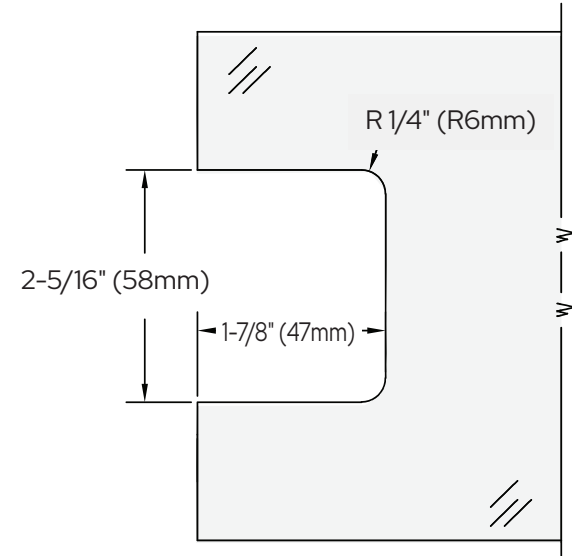
IMPORTANT: Project measurements from the edge of the glass.



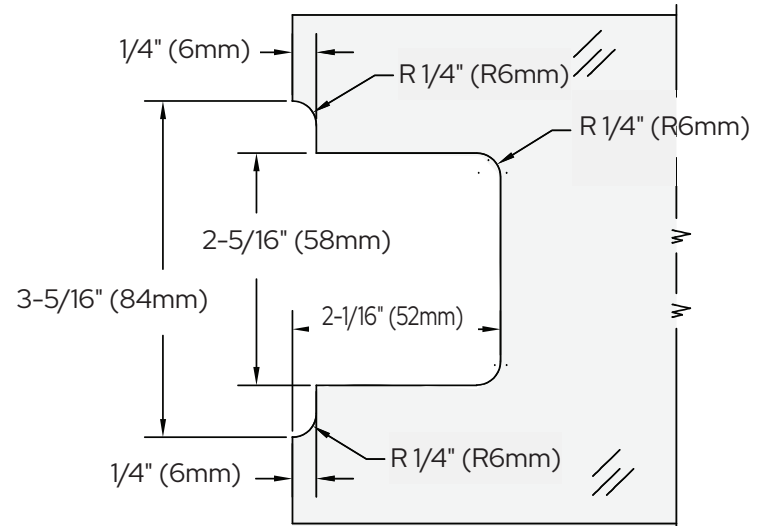
 ALWAYS USE DIMENSIONS TO ENSURE ACCURACY

BELLAGIO

Wall Mount Offset Backplate Hinge
CAT. NO. BEL344



Glass Cutout



Min Offset Glass Cutout