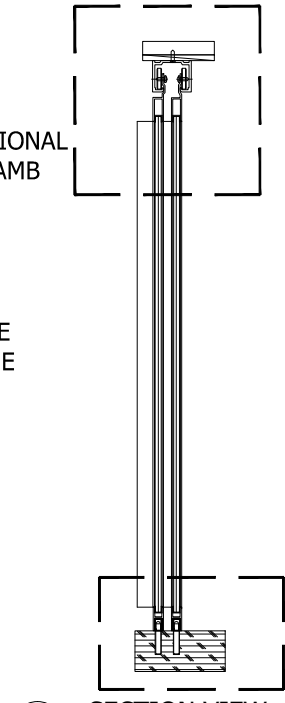


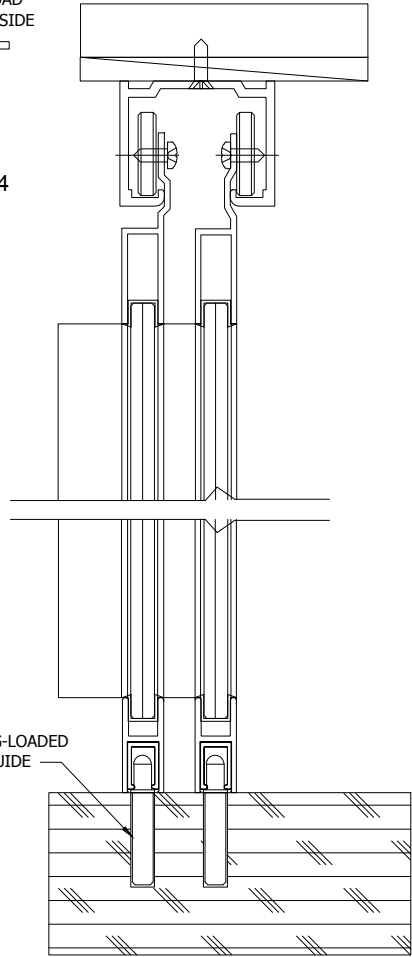
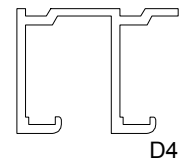
2 ELEVATION VIEW
REF: Scale: NTS.



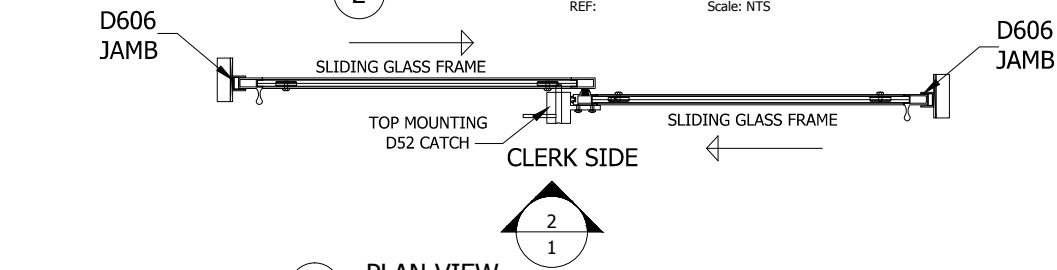
3 SECTION VIEW
Scale: NTS.

REV	DESCRIPTION	DATE	BY

D4 OPEN BACK TOP TRACK FOR SHALLOW DISPLAY CASE APPLICATIONS TO LOAD HANGERS FROM SAME SIDE



4 SECTION VIEW
Scale: NTS.



1 PLAN VIEW
REF: Scale: NTS.

CAT. NO.	FINISH	OVERHEAD	JAMBS
D1040A	SATIN ANODIZED	D4	YES
D1040DU	DURANODIC BRONZE	D4	YES
D1041A	SATIN ANODIZED	D6	YES
D1041DU	DURANODIC BRONZE	D6	YES
D1042A	SATIN ANODIZED	D4	NO
D1042DU	DURANODIC BRONZE	D4	NO
D1043A	SATIN ANODIZED	D6	NO
D1043DU	DURANODIC BRONZE	D6	NO

ALWAYS USE DIMENSIONS SHOWN ON THE PLAN. DO NOT SCALE OR DIMENSION ACTUAL DRAWING TO ENSURE ACCURACY

ERL ARCHITECTURAL PRODUCTS
 PH: 800-421-6144 FX: 800-262-3299
 WWW.CRLAURENCE.CO.®

DESCRIPTION: **DAISY MODEL PASS-THRU**
 MODELS D1040 - D1041- D1042 & D1043 INTERIOR USE ONLY

CAT. NO: D1040-D1041-D1042&D1043
 FILE NAME: D1040 & D1041
 DATE: 3-22-13
 SCALE: AS SHOWN
 DRAWN BY: J.V. CHECKED BY: R.D. SHT 1 OF 1