

REVISIONS

JRM - 04/27/2011



CRL
C.R. LAURENCE CO.
ARCHITECTURAL PRODUCTS

2503 E. Vernon Avenue, Los Angeles, CA 90058
Phone: 800-421-6144 Fax: 800-262-3299
www.crlaurence.com

Job Name:

270120CR

Glazing Contractor:

DATE: 11-12-08

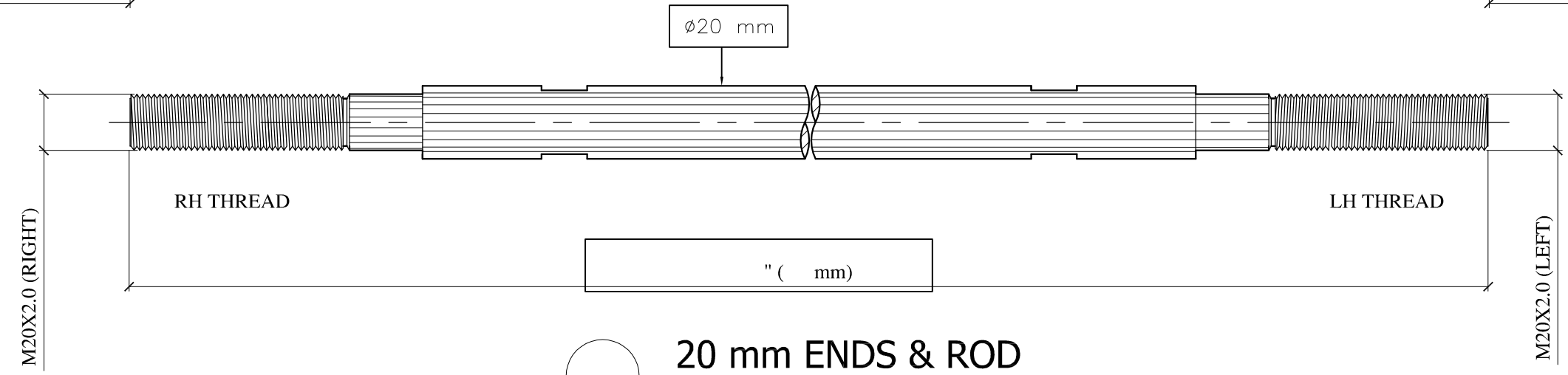
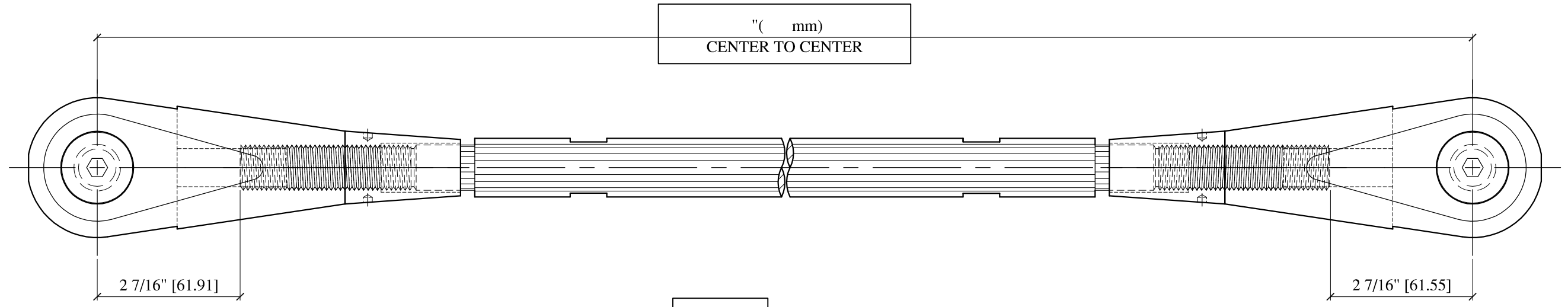
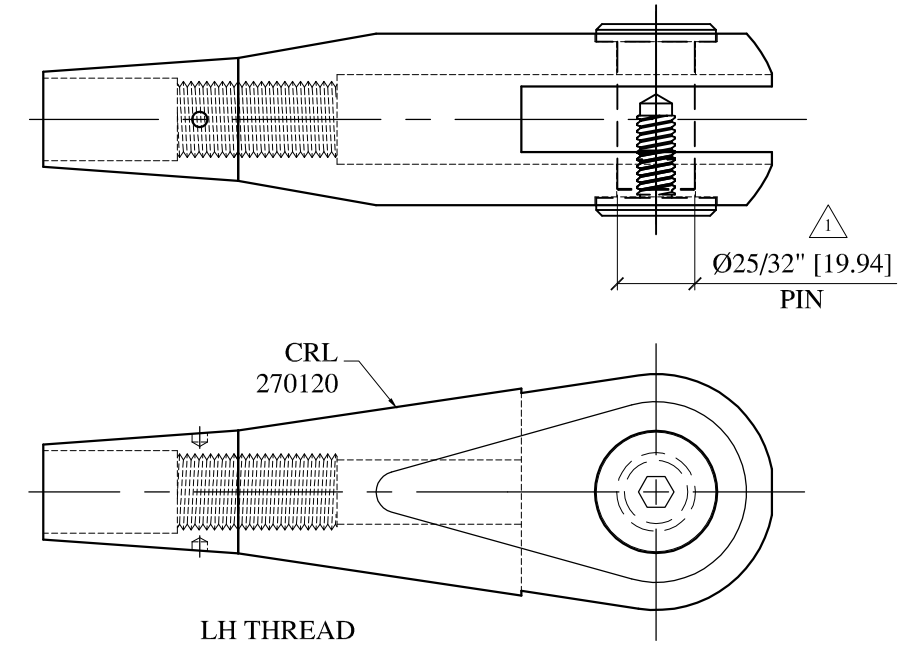
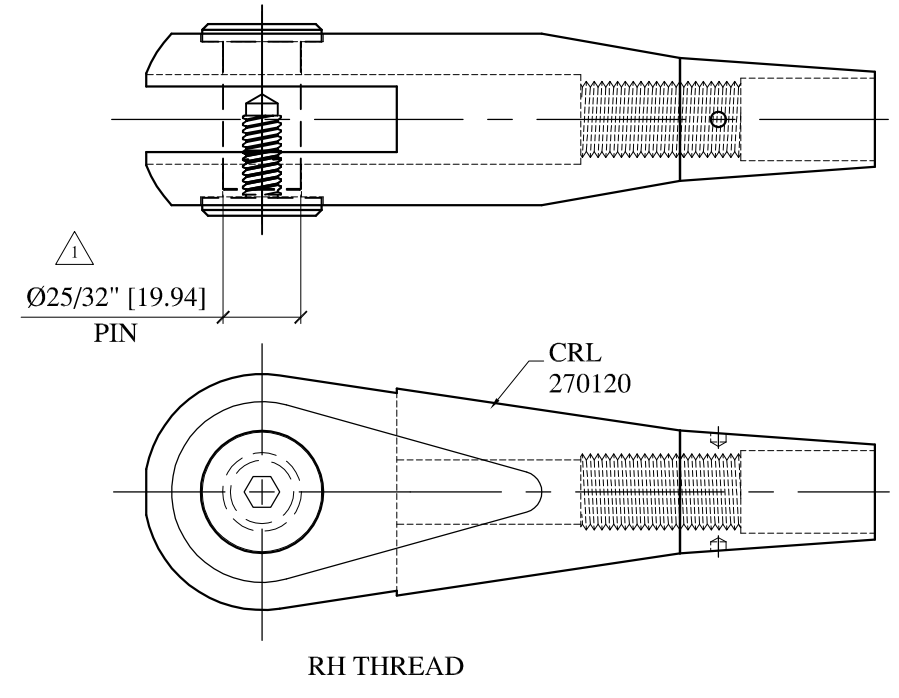
DRAWN BY: JRM

CHECKED BY:

SCALE: 1:2

JOB #:

SHT 1 OF



20 mm ENDS & ROD
Scale: 1:2

CUSTOMER SIGNATURE: X

DATE: