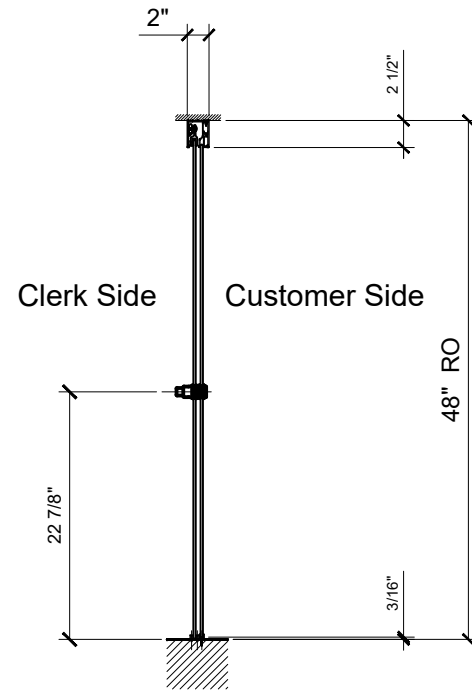
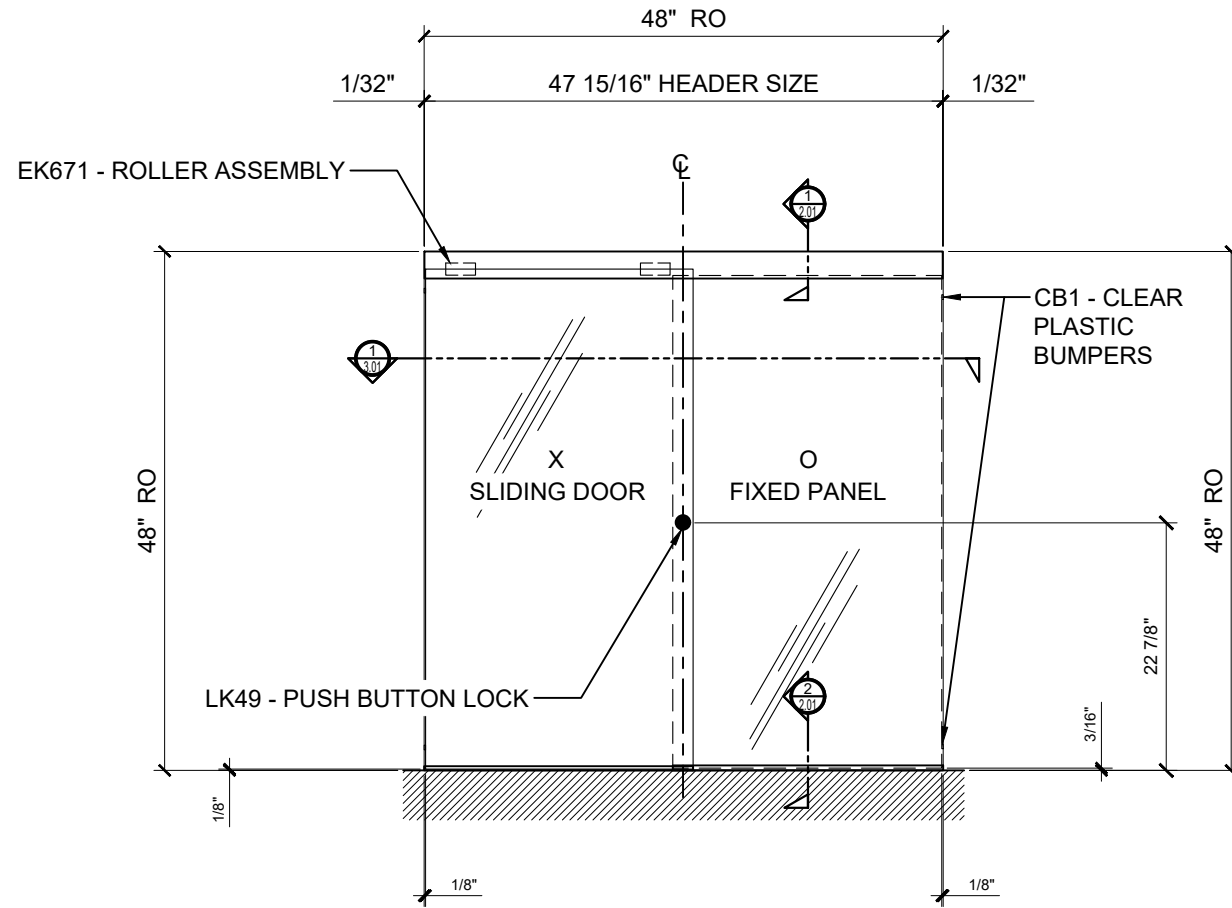




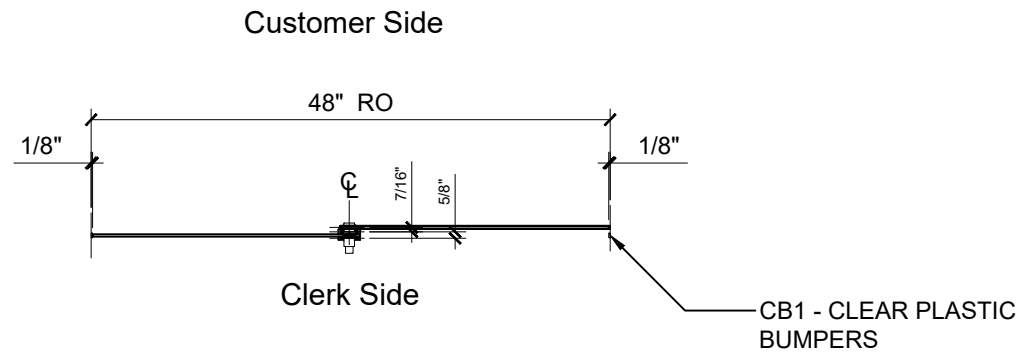
# CRL TRANSACTION WINDOWS SHARYN FRAMELESS PASS-THRU WINDOWS



**③ SECTION**  
ARCH REF: 1"=1'-0"



**② ELEVATION (VIEW FROM CLERK SIDE)**  
ARCH REF: 1"=1'-0"



**① PLAN**  
ARCH REF: 1"=1'-1/2'-0"

**① TYPICAL CRL SHARYN FRAMLESS PASS-THRU WINDOW SH4848XO**  
ARCH REF: NONE 1"=1'-0"

- \* SHARYN IS DESIGNED FOR 1/4" (6 MM) TEMPERED GLASS ONLY.
- \* COUNTER PROVIDED BY OTHERS.
- \* AVAILABLE WITH LK49 PUSH BUTTON LOCK OR OPTIONAL LK50 KEYED LOCK.
- \* LK51 PULL / STRIKE HARDWARE
- \* FABRICATED KITS WITH OR WITHOUT GLASS
- \* STANDARD SIZE FOR OPENINGS 48" X 48"
- \* CONSULT WITH CRL TRANSACTION HARDWARE DEPARTMENT FOR CUSTOM SIZES & CONFIGURATIONS.
- \* FOR MAXIMUM RECOMMENDED OPENING HEIGHT AND WIDTH PLEASE CONSULT TRANSACTION HARDWARE DEPARTMENT - MAXIMUM HEIGHT VARIES PER SLIDING DOOR WIDTH
- \* FINISHES: "A" - CLEAR ANODIZED  
"BA" - BRIGHT ANODIZED  
"BRZ" - BRONZE ANODIZED

Revisions By:



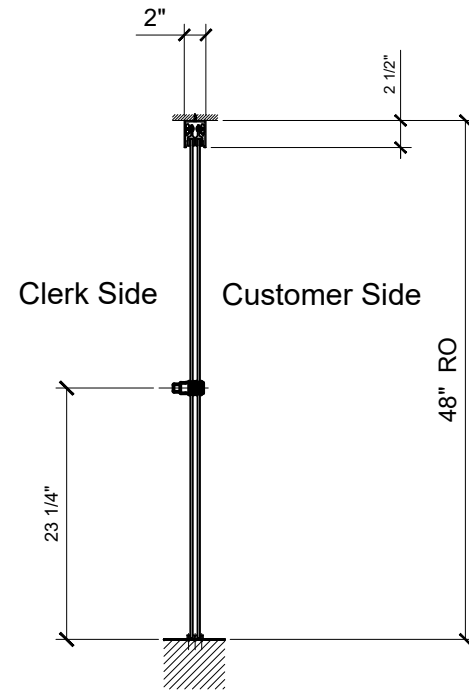
Description:  
CRL TRANSACTION WINDOW  
SHARYN FRAMELESS  
PASS-THRU WINDOWS  
WITH 1/4" TEMPERED GLASS

Drawn By: TGM  
Date: 11/09/18  
Scale: AS NOTED  
File Name:  
Sharyn\_Frameless\_Pss-Thru\_Wnd.dwg

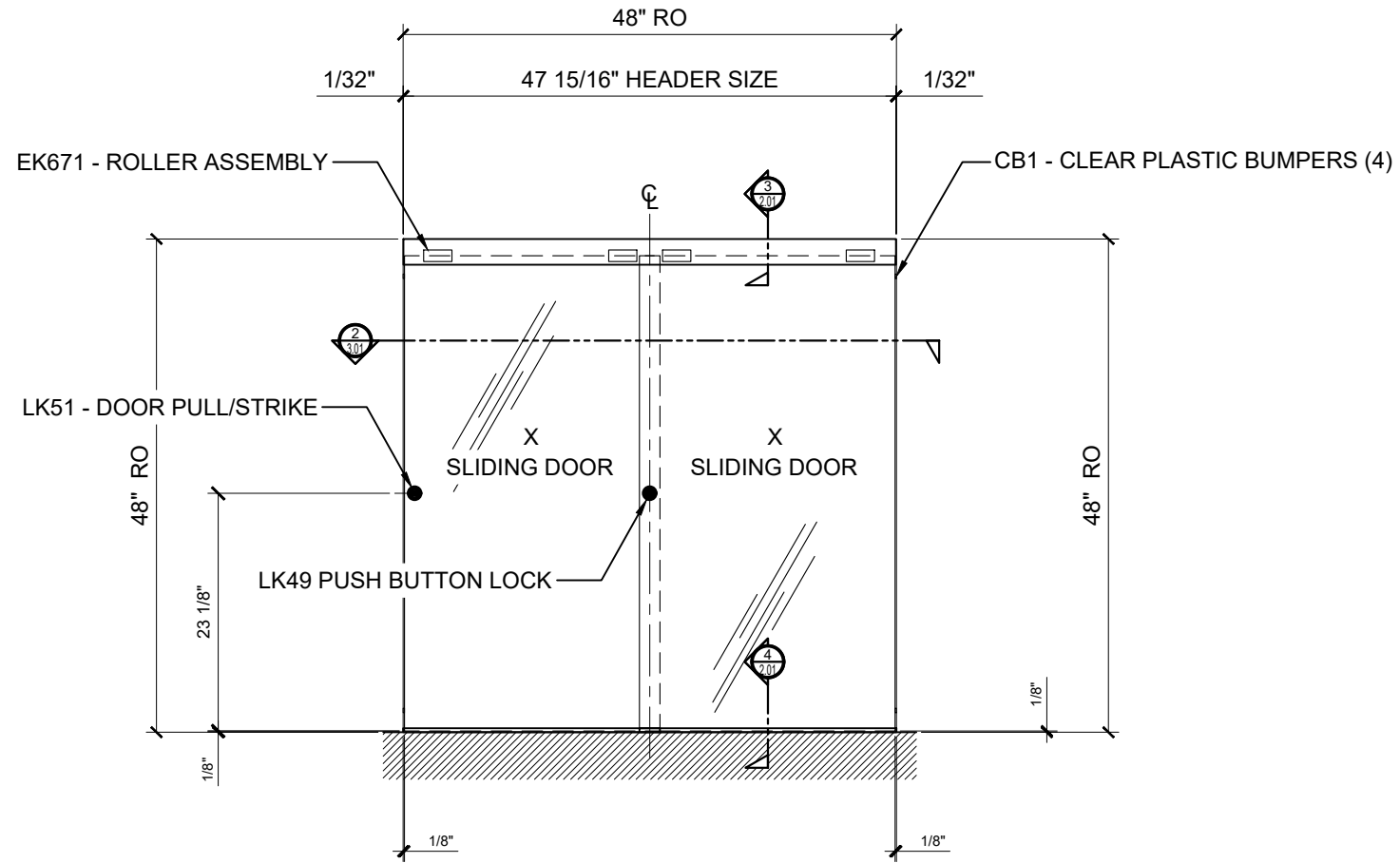
Sheet



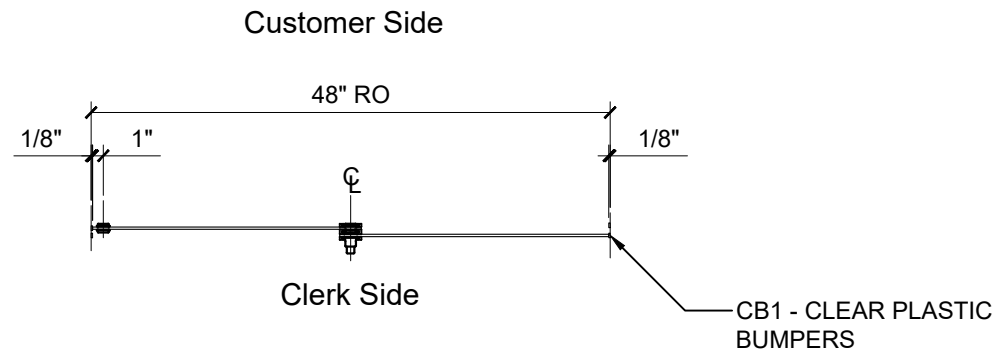
**CRL TRANSACTION WINDOWS**  
**SHARYN FRAMELESS PASS-THRU WINDOWS**



**③ SECTION**  
 ARCH REF: 1"=1'-0"



**② ELEVATION (VIEW FROM CLERK SIDE)**  
 ARCH REF: 1"=1'-0"



**① PLAN**  
 ARCH REF: 1"=1'-1/2'-0"

**① TYPICAL CRL SHARYN FRAMLESS PASS-THRU WINDOW SH4848XX**  
 ARCH REF: NONE 1"=1'-0"

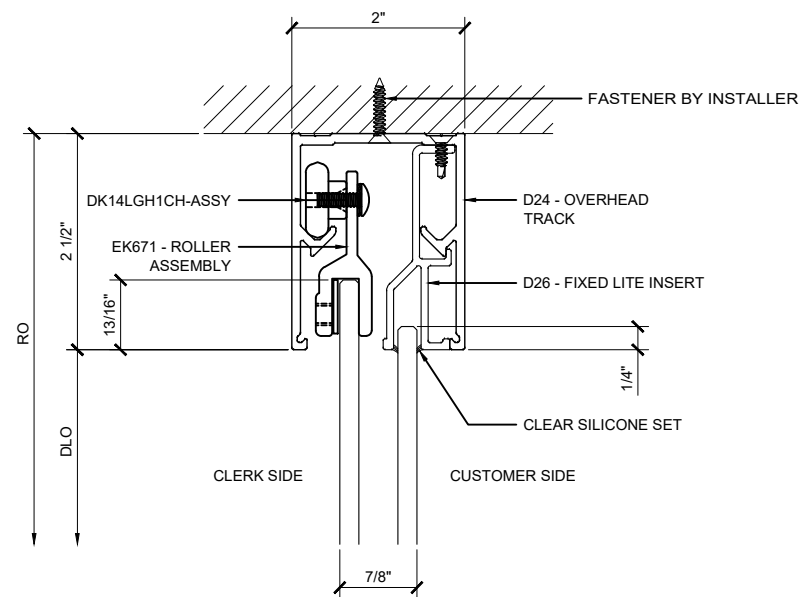
Revisions By:



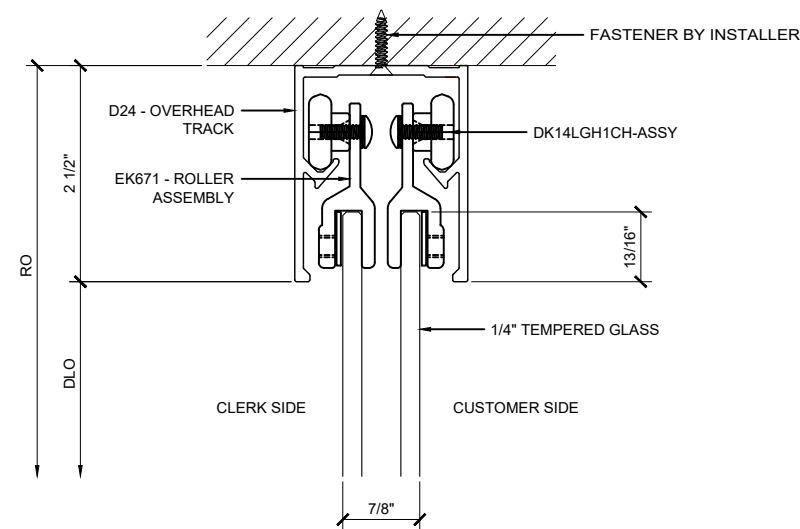
Description:  
 CRL TRANSACTION WINDOW  
 SHARYN FRAMELESS  
 PASS-THRU WINDOWS  
 WITH 1/4" TEMPERED GLASS

Drawn By: TGM  
 Date: 11/09/18  
 Scale: AS NOTED  
 File Name:  
 Sharyn\_Frameless\_Pss-Thru\_Wnd.dwg

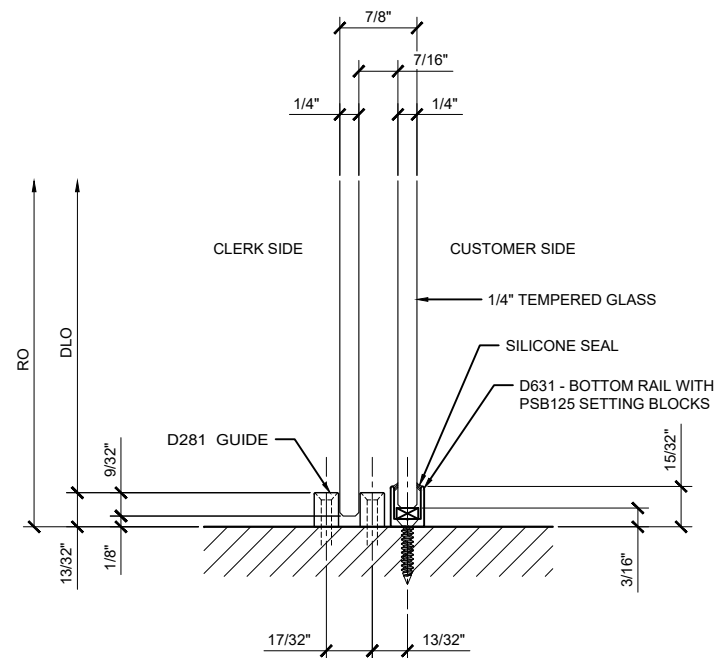
Sheet



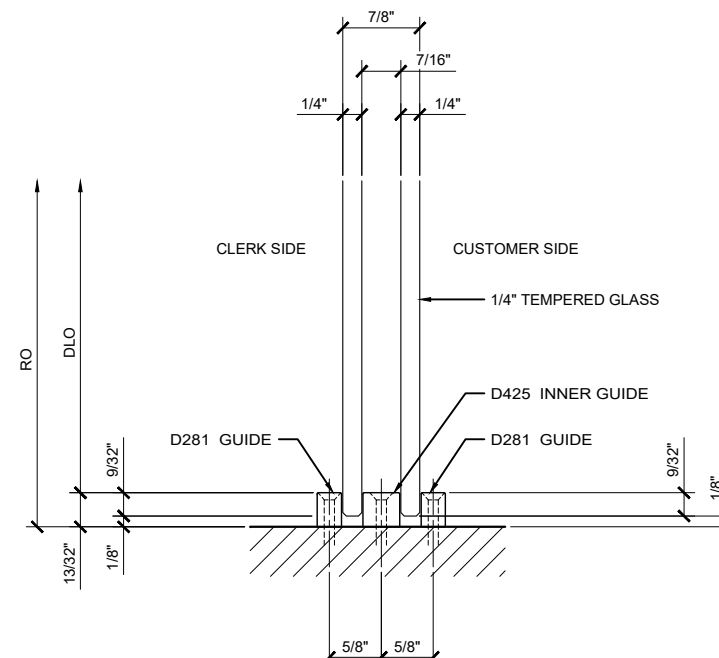
**① SECTION DETAIL AT HEAD**  
 ARCH REF: NONE 1'-0"=1'-0"



**③ SECTION DETAIL AT HEAD**  
 ARCH REF: NONE 1'-0"=1'-0"



**② SECTION DETAIL AT SILL**  
 ARCH REF: NONE 1'-0"=1'-0"



**④ SECTION DETAIL AT SILL**  
 ARCH REF: NONE 1'-0"=1'-0"

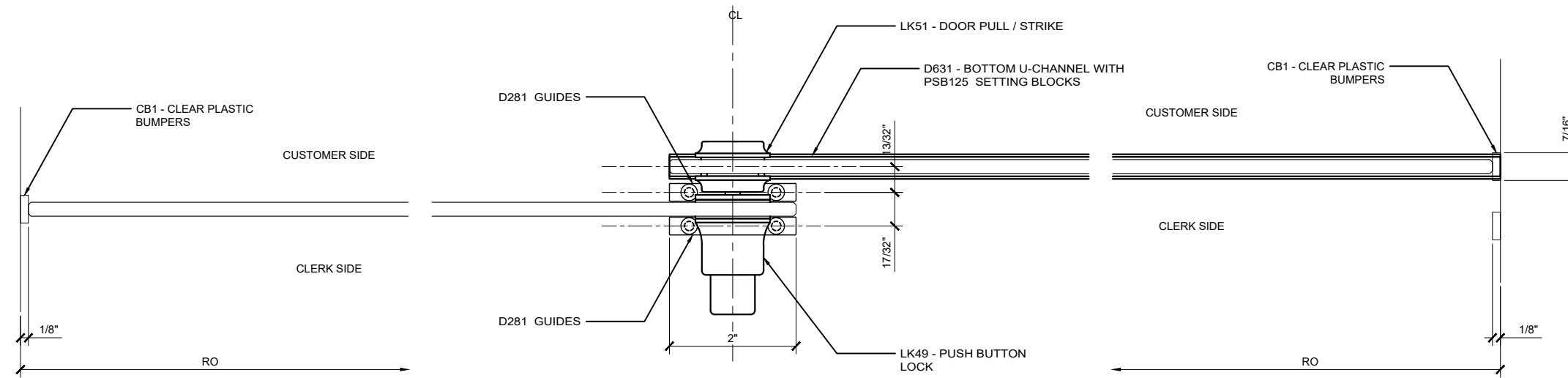
**TYPICAL CRL SHARYN FRAMLESS PASS - THRU WINDOW DETAILS**

Revisions By:



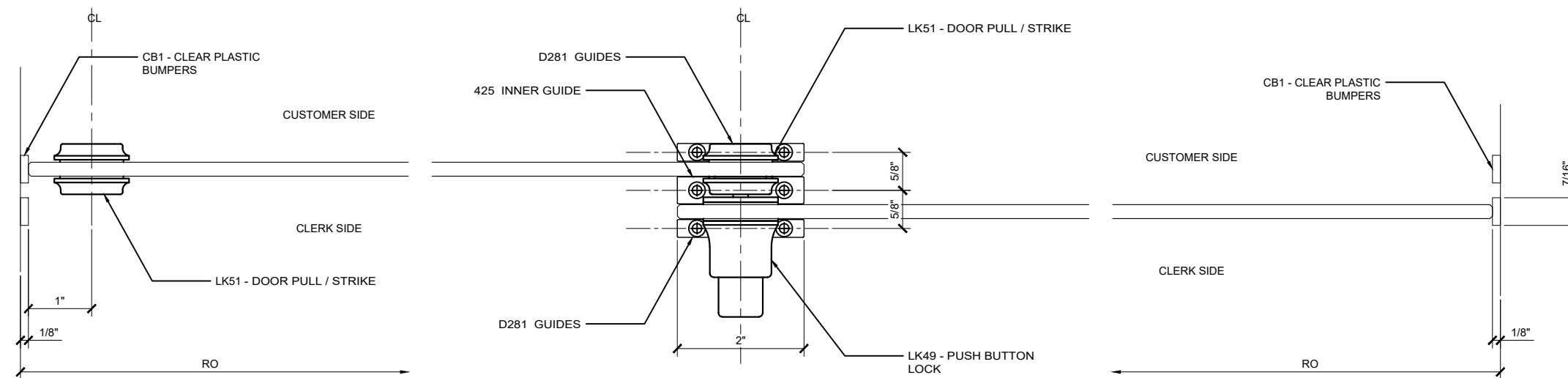
Description:  
 CRL TRANSACTION WINDOW  
 SHARYN FRAMELESS  
 PASS- THRU WINDOWS  
 WITH 1/4" TEMPERED GLASS

Drawn By: TGM  
 Date: 11/09/18  
 Scale: AS NOTED  
 File Name:  
 Sharyn\_Frameless\_Pss-Thru\_Wnd.dwg  
 Sheet



① PLAN SECTION VIEW

ARCH REF: NONE 1'-0"=1'-0"



② PLAN SECTION VIEW

ARCH REF: NONE 1'-0"=1'-0"

**TYPICAL CRL SHARYN FRAMLESS PASS - THRU WINDOW DETAILS**

Revisions By:



Description:  
 CRL TRANSACTION WINDOW  
 SHARYN FRAMELESS  
 PASS- THRU WINDOWS  
 WITH 1/4" TEMPERED GLASS

Drawn By: TGM  
 Date: 11/09/18  
 Scale: AS NOTED  
 File Name:  
 Sharyn\_Frameless\_Pss-Thru\_Wnd.dwg

Sheet

3.01