



AFWC2 / AFWC7 - CRL SURFACE MOUNT FRAMELESS WINDSCREEN CLAMPS

THESE FRAMELESS WINDSCREEN CLAMPS MAY BE USED FOR FALL PROTECTION IN ONE AND TWO-FAMILY RESIDENTIAL OCCUPANCIES AND LOCATIONS INCLUDED IN IBC 1607.8.1 EXCEPTIONS 1 AND 2.
 EXCEPTION 1: INSTALLED WITH A MINIMUM OF 3 PANELS OF 1/2" TEMPERED GLASS.
 EXCEPTION 2: INSTALLED WITH A TOP RAIL CAPABLE OF SPANNING 10 FEET.
 FOR THESE CONDITIONS, THE SYSTEM WILL SUPPORT THE 200 LB LOAD VERTICALLY OR HORIZONTALLY WITH A SAFETY FACTOR OF 4.0 AGAINST GLASS FAILURE.

Revisions By:



C.R. LAURENCE CO. ARCHITECTURAL PRODUCTS
 2503 E. Vernon Avenue, Los Angeles, CA 90058-1897
 PH: (800)-421-6144 FX: 800-587-7301 www.crlaurence.com

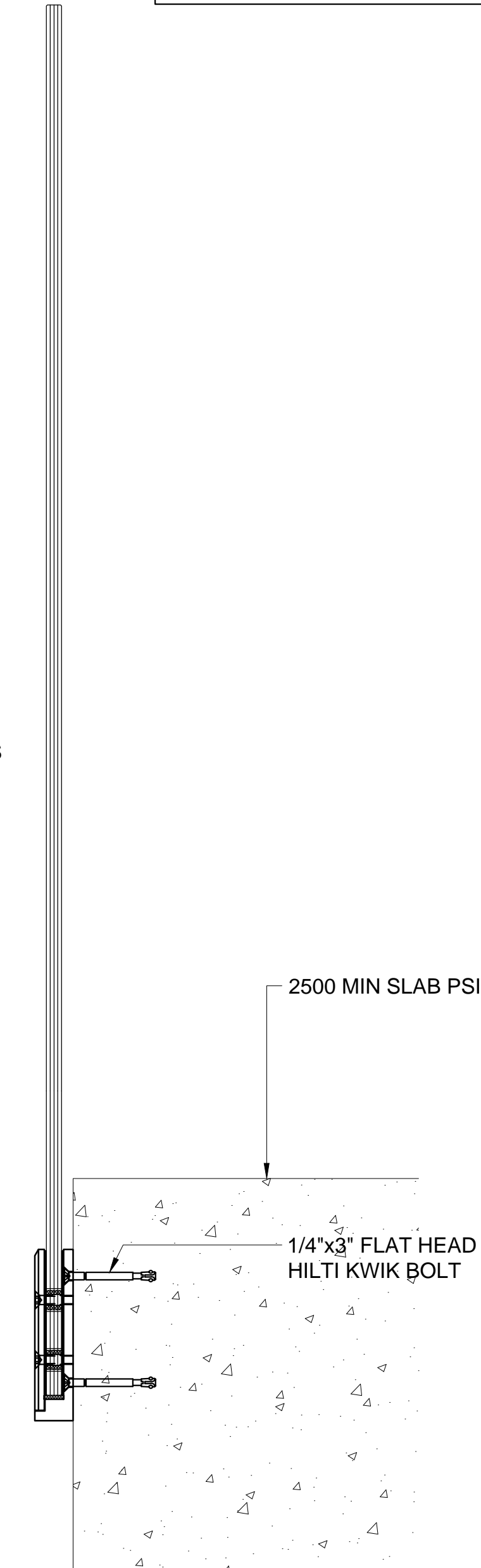
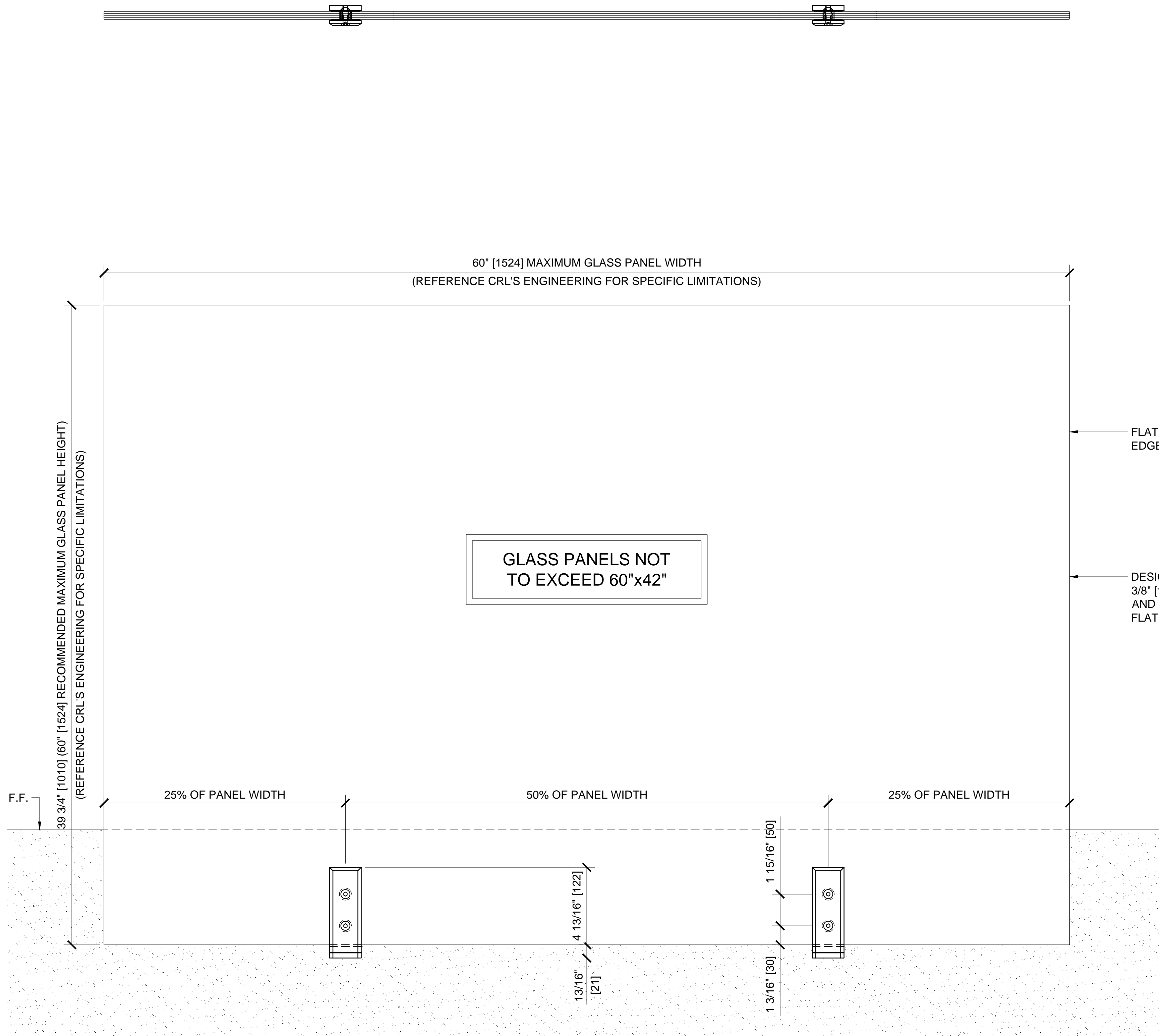
Description:

FSC FRAMELESS WINDSCREEN SYSTEMS

Drawn By: AAD
 Date: 1/15/16
 Scale: AS NOTED
 File Name: 09-AFWC2&AFWC7-Surface Mount Frameless Windscreen System.dwg

Sheet

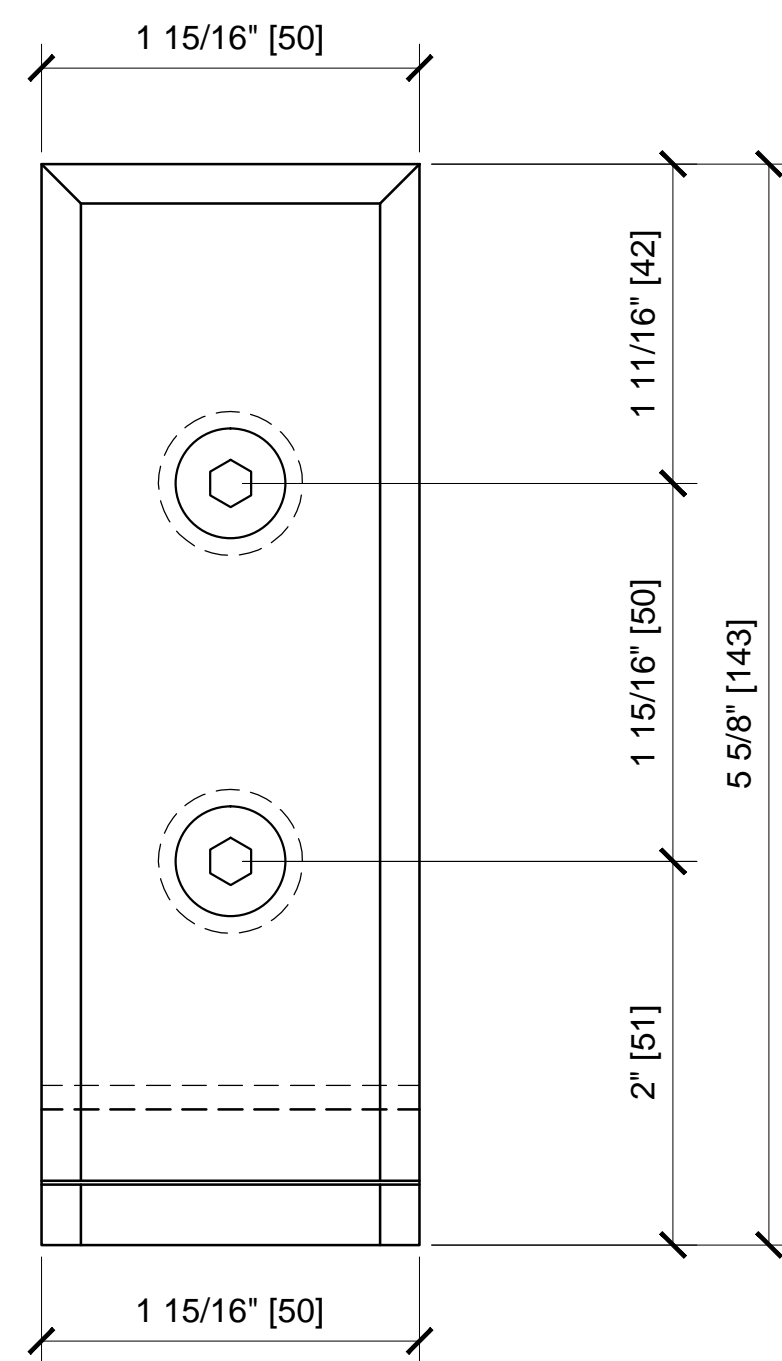
1.09



CATALOG NUMBER	FINISH
AFWC2	BRUSHED STAINLESS - 316 S.S.
AFWC7	POLISHED STAINLESS - 316 S.S.

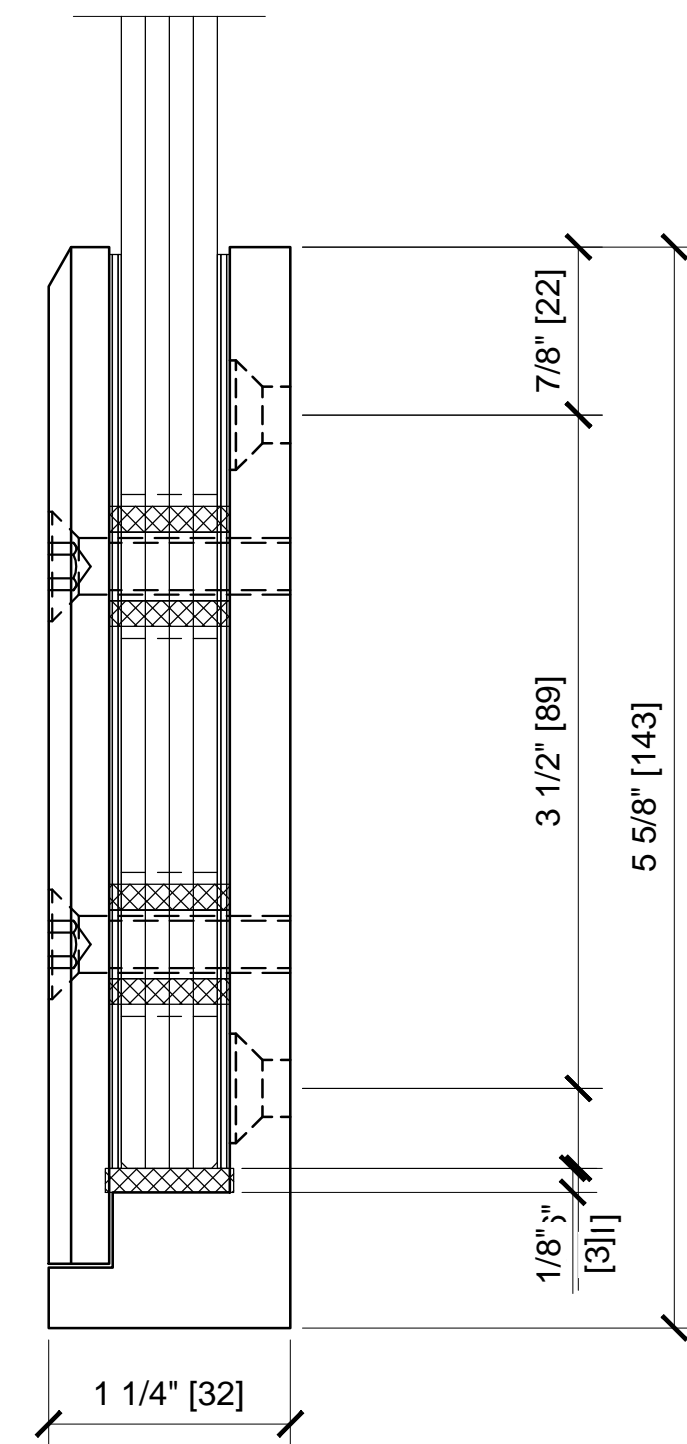
① WINDSCREEN INTERIOR ELEVATION
 1'-0"=1'-0"

② WINDSCREEN SECTION
 1'-0"=1'-0"



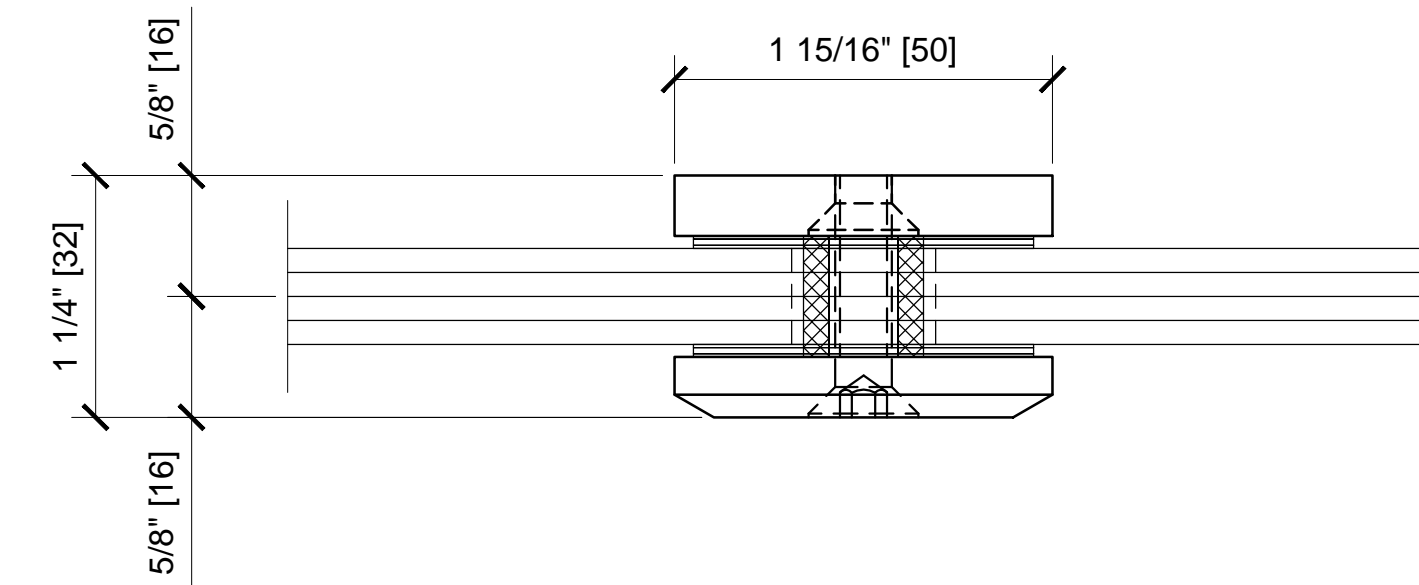
① AFWC2 / AFWC7 FRONT VIEW

1'-0"=1'-0"



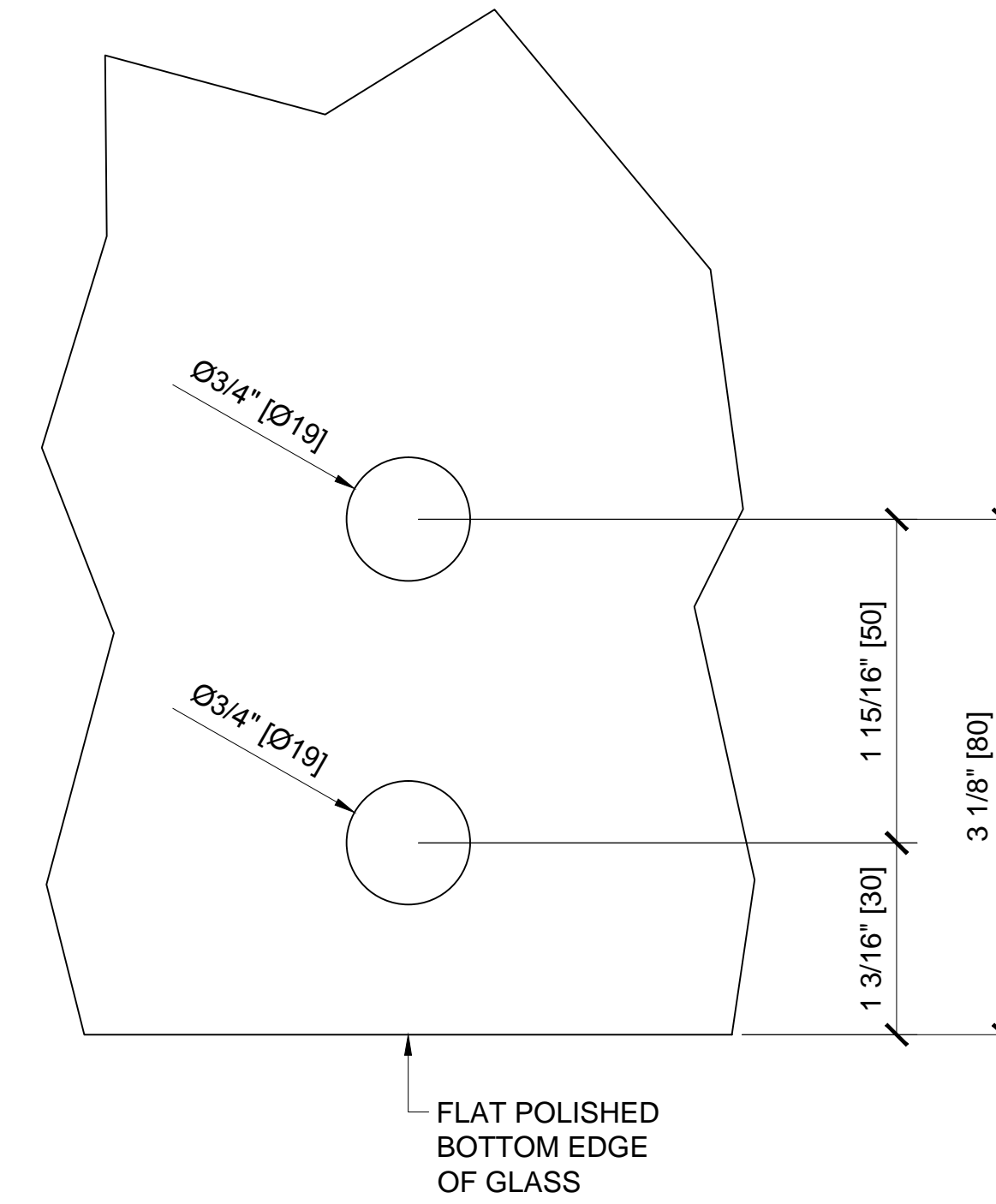
② AFWC2 / AFWC7 SIDE VIEW

1'-0"=1'-0"



④ AFWC2 / AFWC7 TOP VIEW

1'-0"=1'-0"



⑤ GLASS FABRICATION REQUIREMENTS

1'-0"=1'-0"

Revisions By:



C.R. LAURENCE CO. ARCHITECTURAL PRODUCTS
2503 E. Vernon Avenue, Los Angeles, CA 90058-1897
PH: (800)-421-6144 FX: 800-587-7301 www.crlaurence.com

Description:

FSC FRAMELESS
WINDSCREEN SYSTEMS

Drawn By: AAD

Date: 1/15/16

Scale: AS NOTED

File Name:
09-AFWC2&AFWC7-Surface Mount
Frameless Windscreen System.dwg

Sheet

2.09