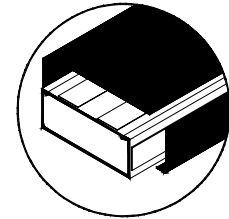
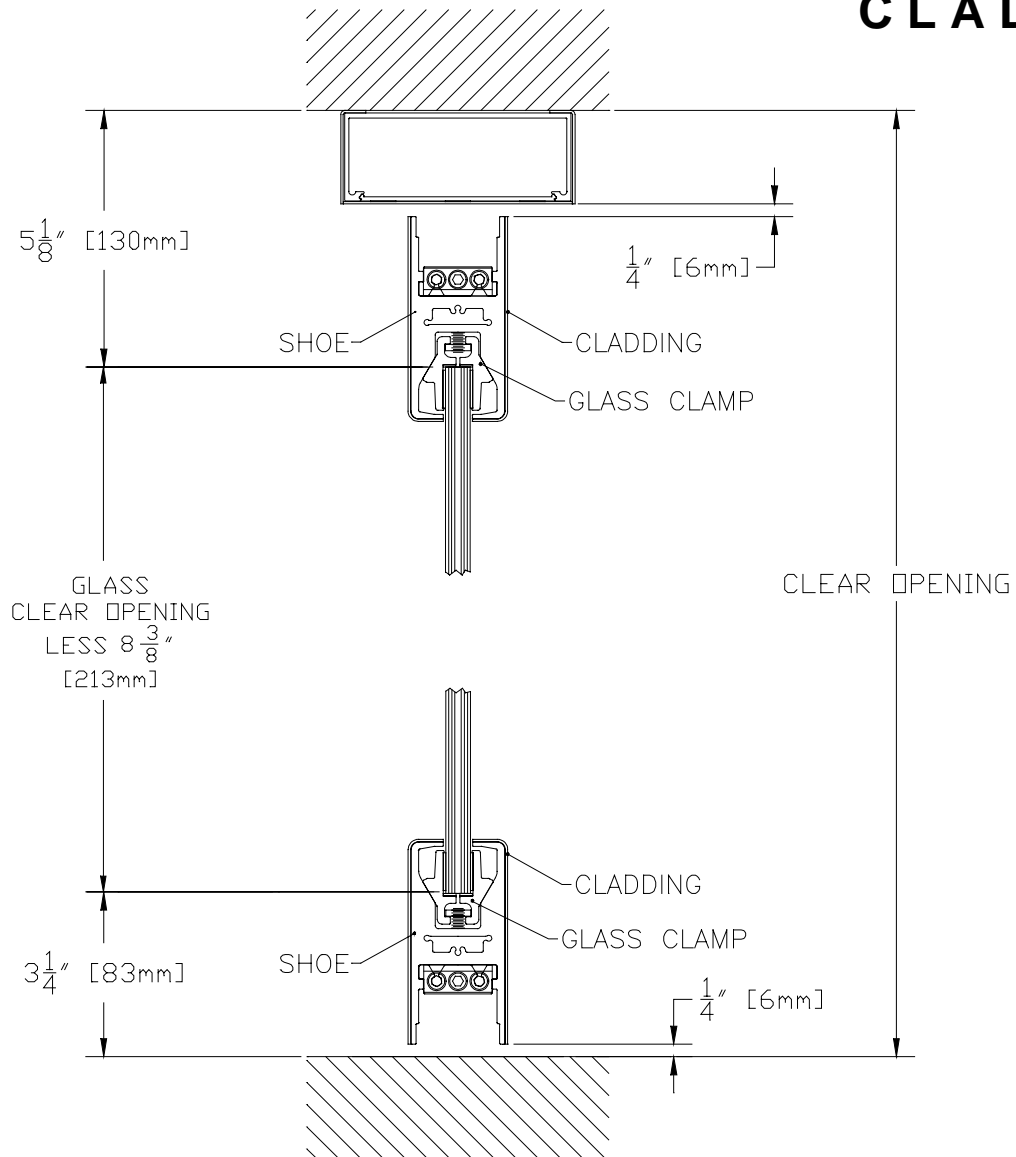


NOTES:

IF 1/2" [13mm] THRESHOLD IS USED,  
 THE DIMENSION FROM FLOOR TO GLASS  
 INCREASES BY 1/2" [13mm] I.E. GLASS  
 IS CLEAR OPENING LESS 8-7/8" [225mm]



**CLAD**



4" SQUARE DOOR RAIL CLAD  
 TOP AND BOTTOM WITH CLAD HEADER

**GNL DOOR RAIL SYSTEM**

**C.R. Laurence Architectural Products**

Phone Orders (800) 421-6144

Fax Orders (800) 262-3299

WWW.CRLAURENCE.COM

Patent Pending

STYLE 11