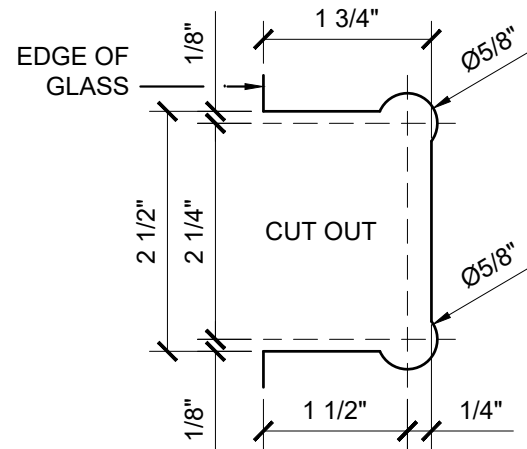
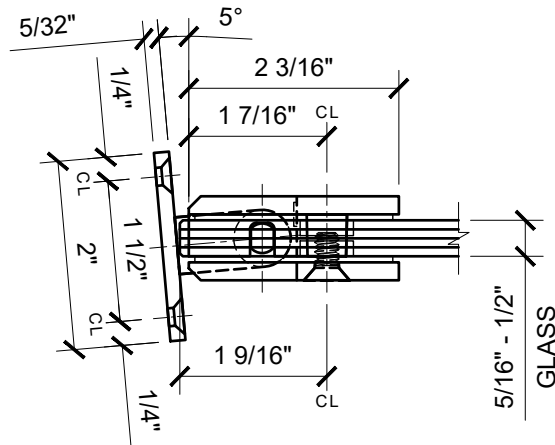


USE OF GASKETS

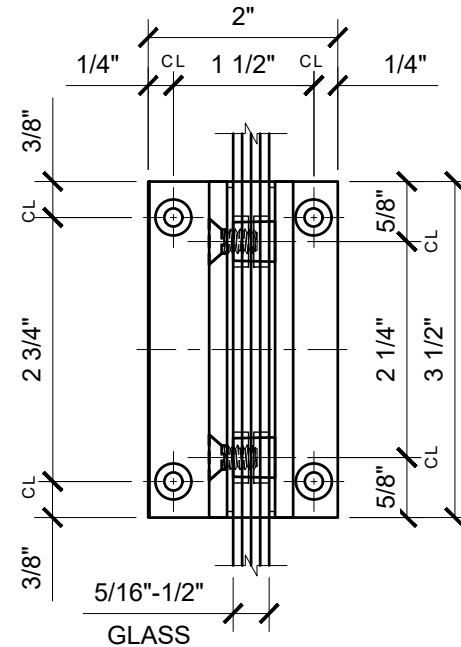
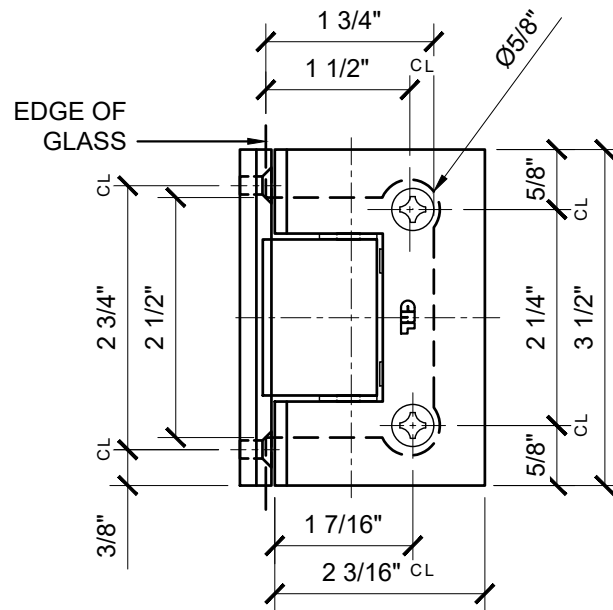
FOR 5/16" (8mm) GLASS: USE ONE THICK GASKET ON EACH SIDE

FOR 3/8" (10mm) GLASS: USE ONE THICK GASKET ON EACH SIDE

FOR 1/2" (12mm) GLASS: USE ONE THIN GASKET ON EACH SIDE



GLASS FABRICATION TEMPLATE



CATALOG NUMBER	FINISH
GEN537CH	CHROME
GEN537BR	BRASS
GEN537ORB	OIL RUBBED BRONZE
GEN537ABN	ANTIQUÉ BRUSHED NICKEL
GEN537ABR	ANTIQUÉ BRASS
GEN537BC0	BRUSHED COPPER
GEN537BN	BRUSHED NICKEL
GEN537BSC	BRUSHED SATIN CHROME
GEN537GP	GOLD PLATED
GEN537PN	POLISHED NICKEL
GEN537SB	SATIN BRASS
GEN537SC	SATIN CHROME
GEN537CBA	CHROME W/ BRASS ACCENTS
GEN537UBR	ULTRA BRASS

**GEN537XX - CRL GENEVA 537 SERIES WALL MOUNT FULL BACK PLATE HINGE
STANDARD HINGE WITH 5 DEGREE OFFSET**

DATE: 6/27/17
SCALE: 6"=1'-0"
DRAWN BY: VM

DESCRIPTION: CRL GEN537
GENEVA 537 SERIES WALL MOUNT FULL BACK
PLATE STANDARD HINGE WITH 5 DEGREE OFFSET

C.R.LAURENCE CO. ARCHITECTURAL PRODUCTS
2503 E. Vernon Avenue, Los Angeles, C.A 90058-1897
PH (800)-421-6144 FX: 800-587-7501 www.crlaurence.com

