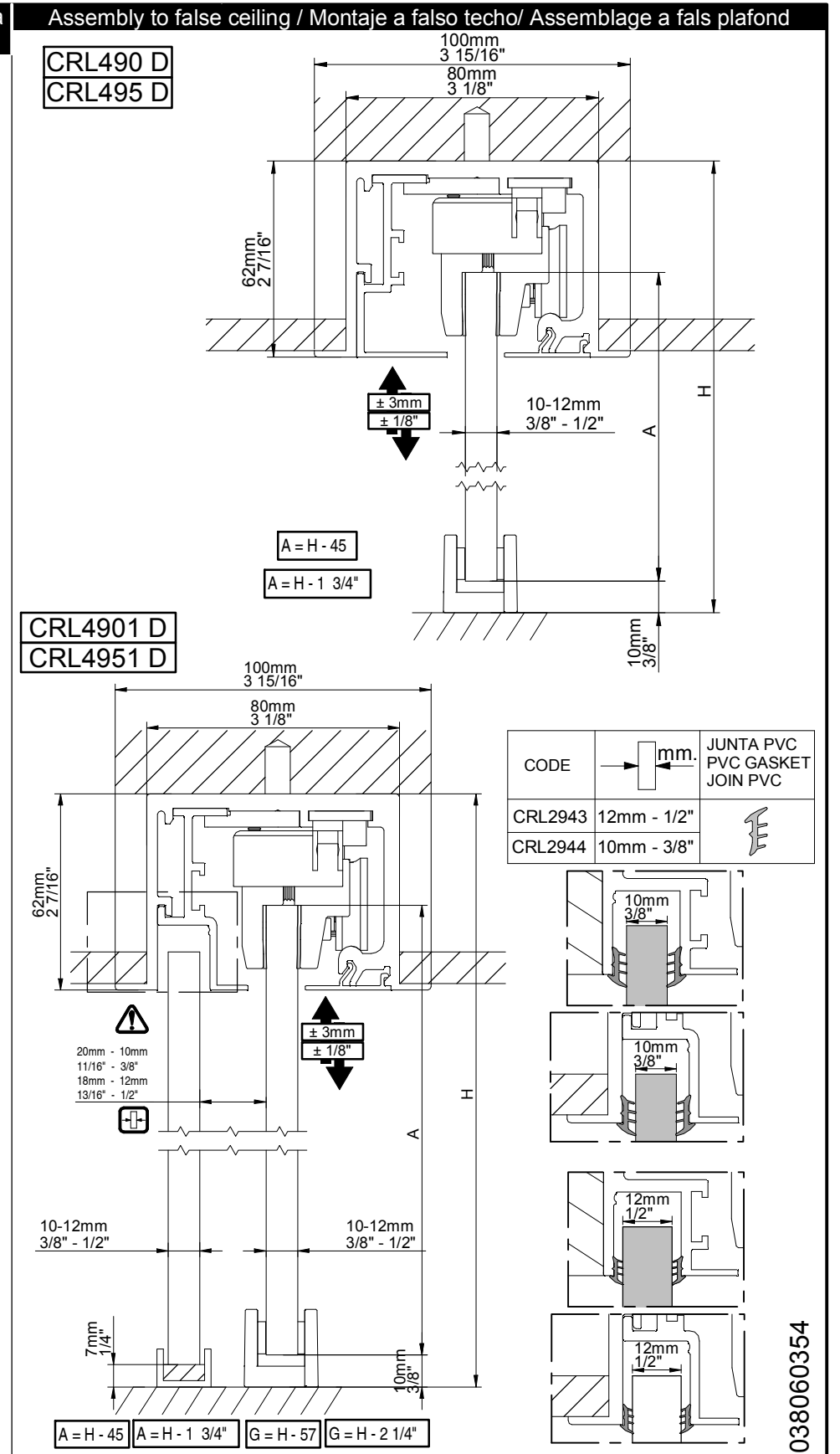
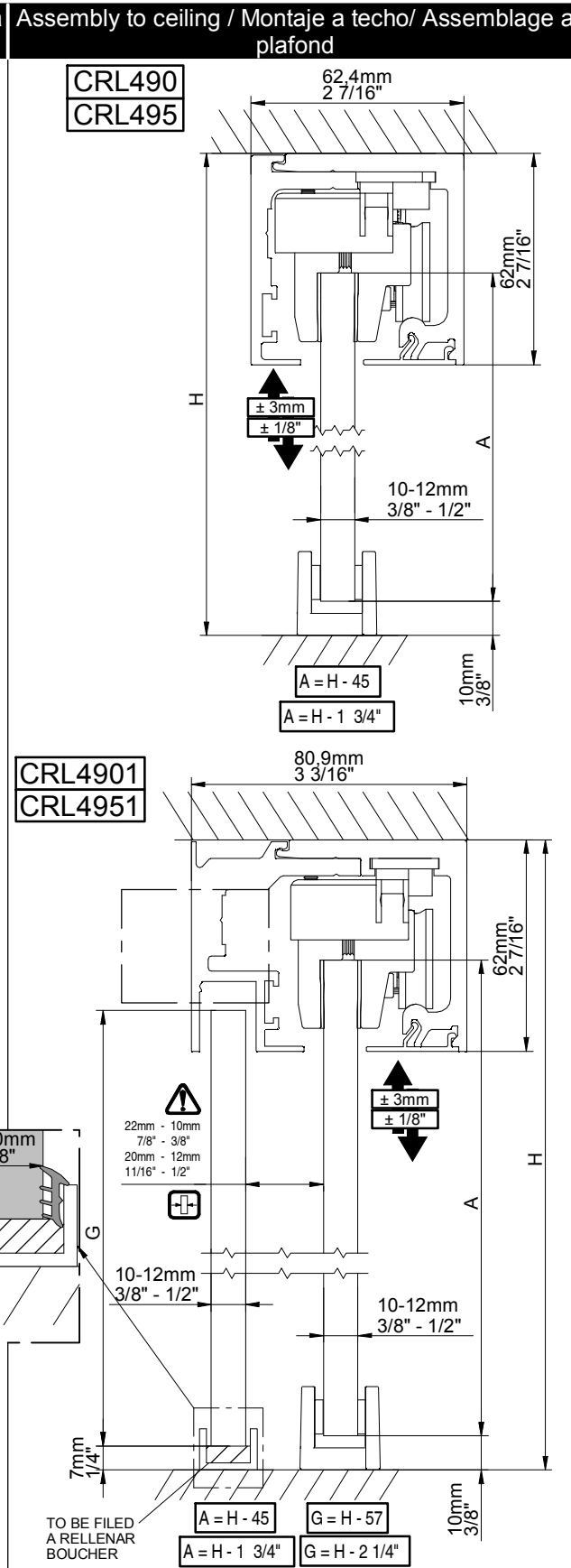
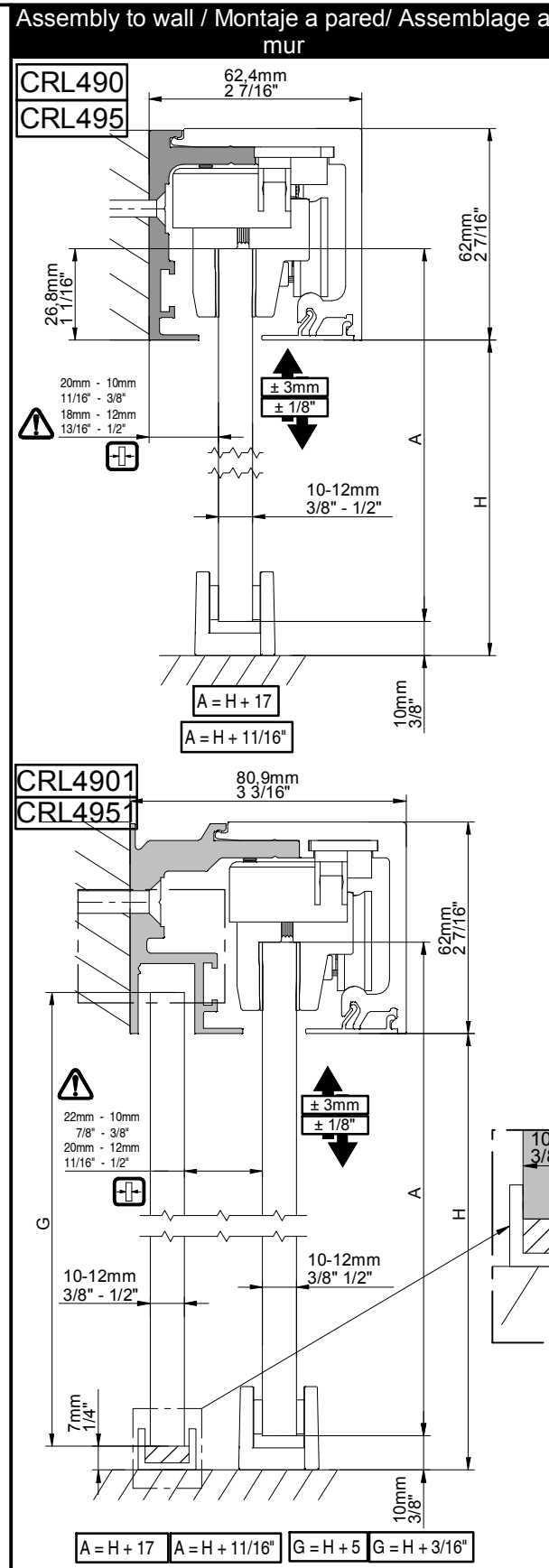


# C. R. LAURENCE CO., INC.

## ASSEMBLY INSTRUCTIONS FOR: CRL 490 | CRL 4901 | CRL 490 D | CRL 4901 D CRL 495 | CRL 4951 | CRL 495 D | CRL 4951 D

COMPONENTS / COMPONENTES / COMPONENTS			
Z		1	
U		1	
K		1	
t		1	
<b>CLAMPS (SOFTPRO) / PINZAS</b>			
Y		2	
<b>CLAMPS (ANTI-SHOCK) / PINZAS</b>			
X		2	
<b>SOFTPRO ONE WAY</b>			
V		1	
<b>SOFTPRO TWO WAY</b>			
r		1	



# C. R. LAURENCE CO., INC.

## ASSEMBLY INSTRUCTIONS FOR: CRL 490 | CRL 4901 | CRL 490 D | CRL 4901 D CRL 495 | CRL 4951 | CRL 495 D | CRL 4951 D

CLAMPS ASSEMBLY / MONTAJE PINZAS / ASSEMBLAGE PINCES

ANTISHOCK

**1** ANTI-DERAILEMENT SCREW, ANTI-SHOCK SCREW, (x4) GLASS THICKNESS SETTINGS SCREW, HEIGHT ADJUSTMENT SCREW, CLAMP TIGHTEN SCREWS

3mm ↔ 10mm  
5mm ↔ 12mm  
7mm ↔ 14mm  
1/8" ↔ 3/8"  
3/16" ↔ 1/2"  
1/4" ↔ 9/16"

**2**

**3** 13 N/m

**4** 90°

**5** 25mm 1", 195mm 7 11/16", Min.680 (ANTI-SHOCK) Min.26 3/4" (ANTI-SHOCK)

WALL MOUNT / MONTAJE A PARED / ASSEMBLAGE A MUR

ANTISHOCK / RETENEDOR

**6** (A) 13.2mm 1/2", 6.5mm 1/4", (B) 6.5mm 1/4", 13.2mm 1/2"

**7** (A) 200mm 7 7/8", \*TORNILLO DIN-7505 6x50

**8** 2mm 1/16"

**9** Lower guide mount  
Montaje guiador inferior  
Assemblage guide inférieur

**10**

**11**

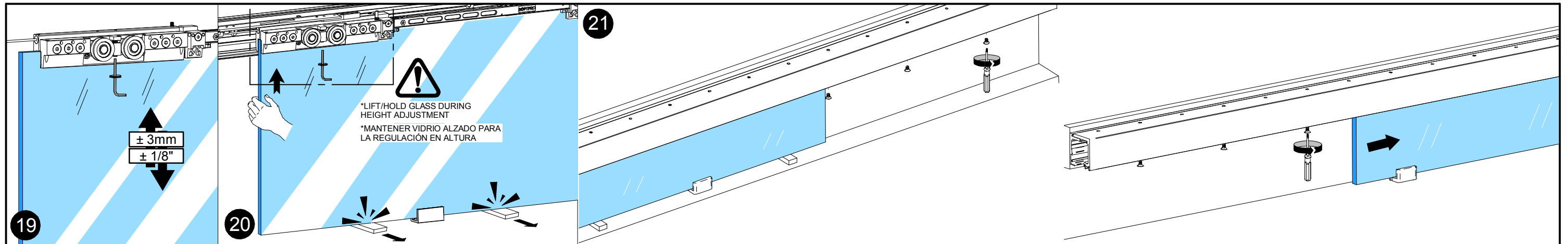
**12** 15mm 9/16"

**13**

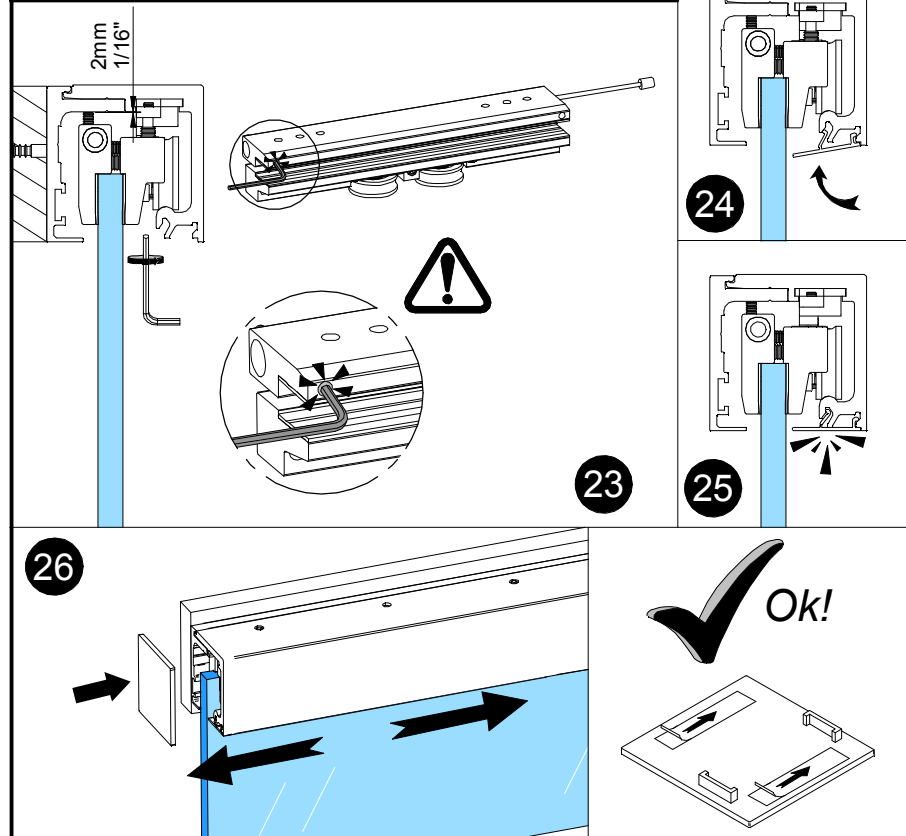
**14** ! DON'T REMOVE FLOOR SPACERS NO QUITAR LAS ALZAS

# C. R. LAURENCE CO., INC.

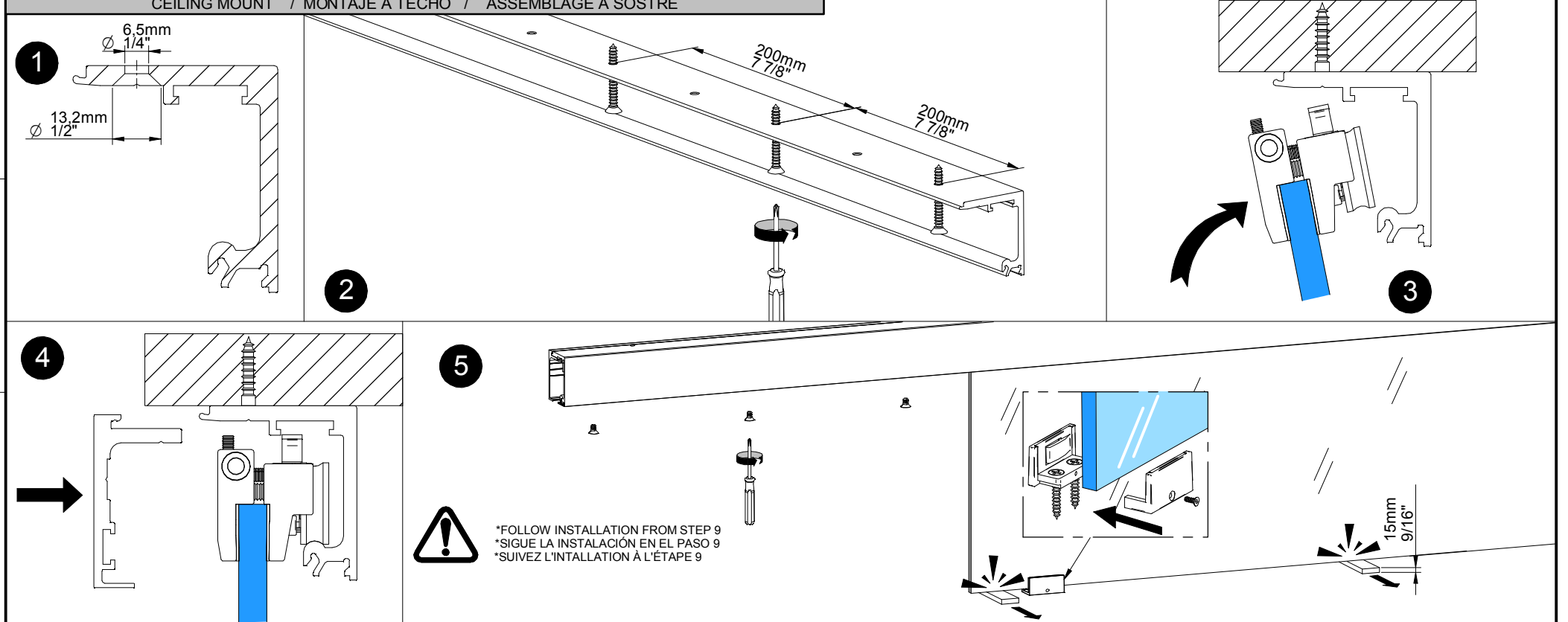
## ASSEMBLY INSTRUCTIONS FOR: CRL 490 | CRL 4901 | CRL 490 D | CRL 4901 D CRL 495 | CRL 4951 | CRL 495 D | CRL 4951 D



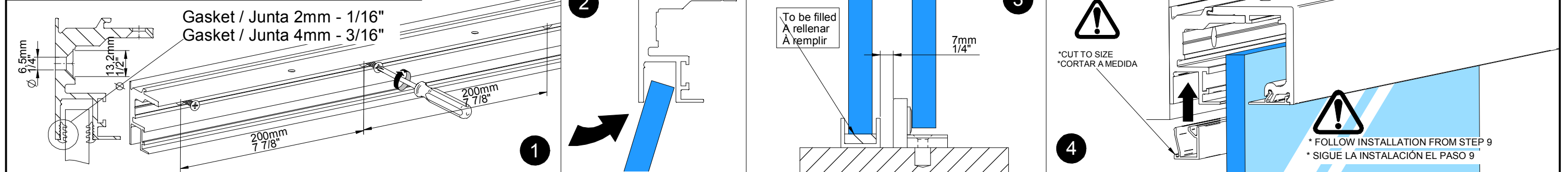
### ANTI-DERAILMENT / ANTIDESCARRILAMIENTO / ANTI-DÉRAILLEMENT



### INSTALLATIONS VARIANTS / VARIANTES DE INSTALACIÓN / VARIANTES DE INSTALLATION



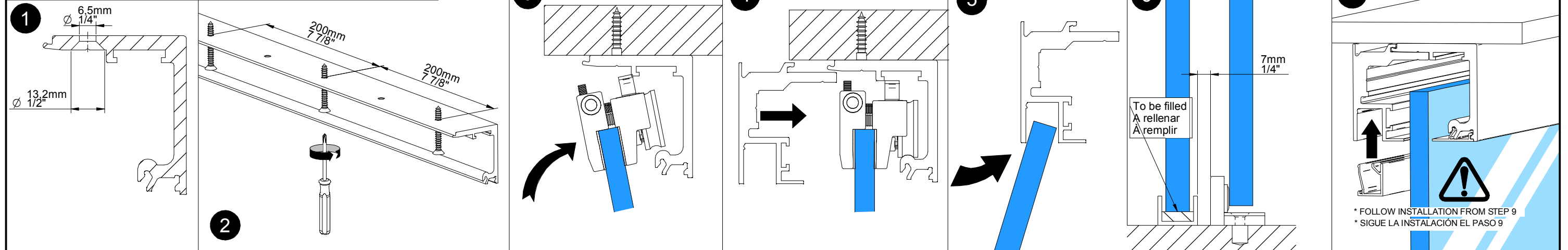
### WALL MOUNT WITH FIXED GLASS / MONTAJE A PARED CON VIDRIO FIJO / ASSEMBLAGE A MUR AVEC VERRE FIXE



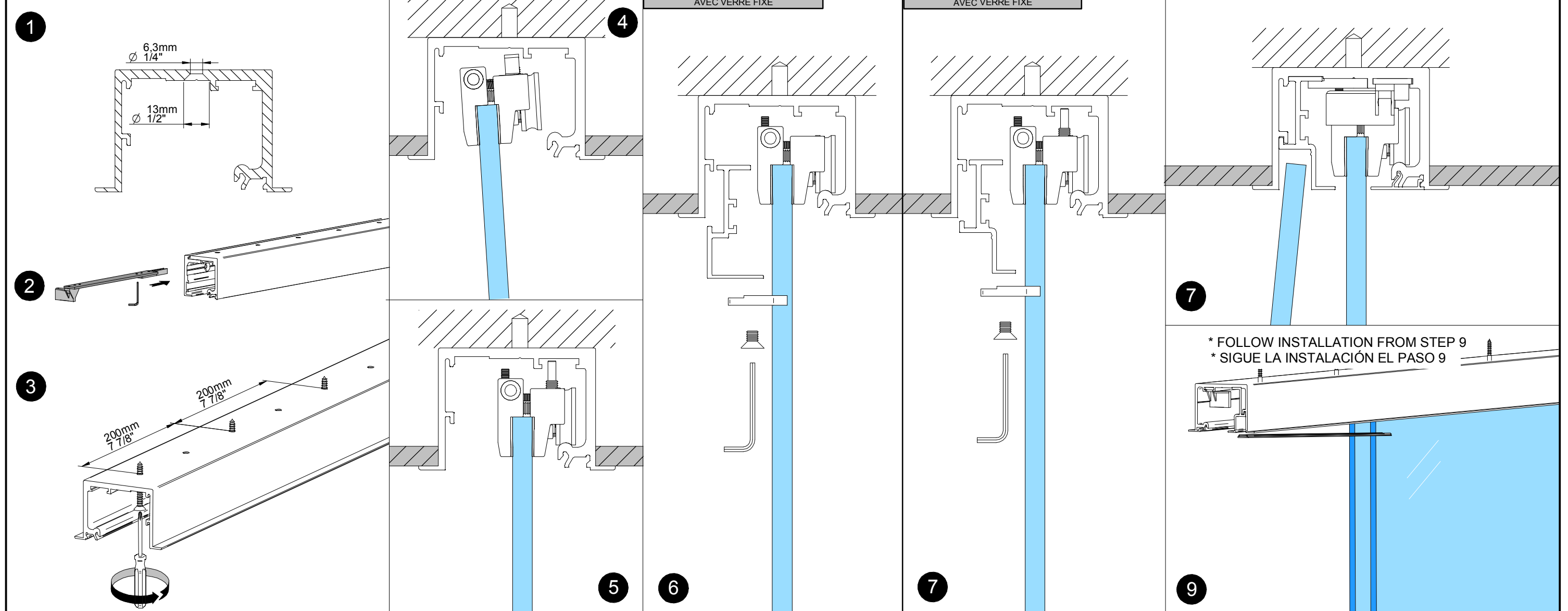
# C. R. LAURENCE CO., INC.

## ASSEMBLY INSTRUCTIONS FOR: **CRL 490 | CRL 4901 | CRL 490 D | CRL 4901 D** **CRL 495 | CRL 4951 | CRL 495 D | CRL 4951 D**

### CEILING MOUNT WITH FIXED GLASS / MONTAJE A TECHO CON VIDRIO FIJO / ASSEMBLAGE A SOSTRE AVEC VERRE FIXE



### FALSE CEILING MOUNT / MONTAJE A FALSO TECHO / ASSEMBLAGE FAUX PLAFOND



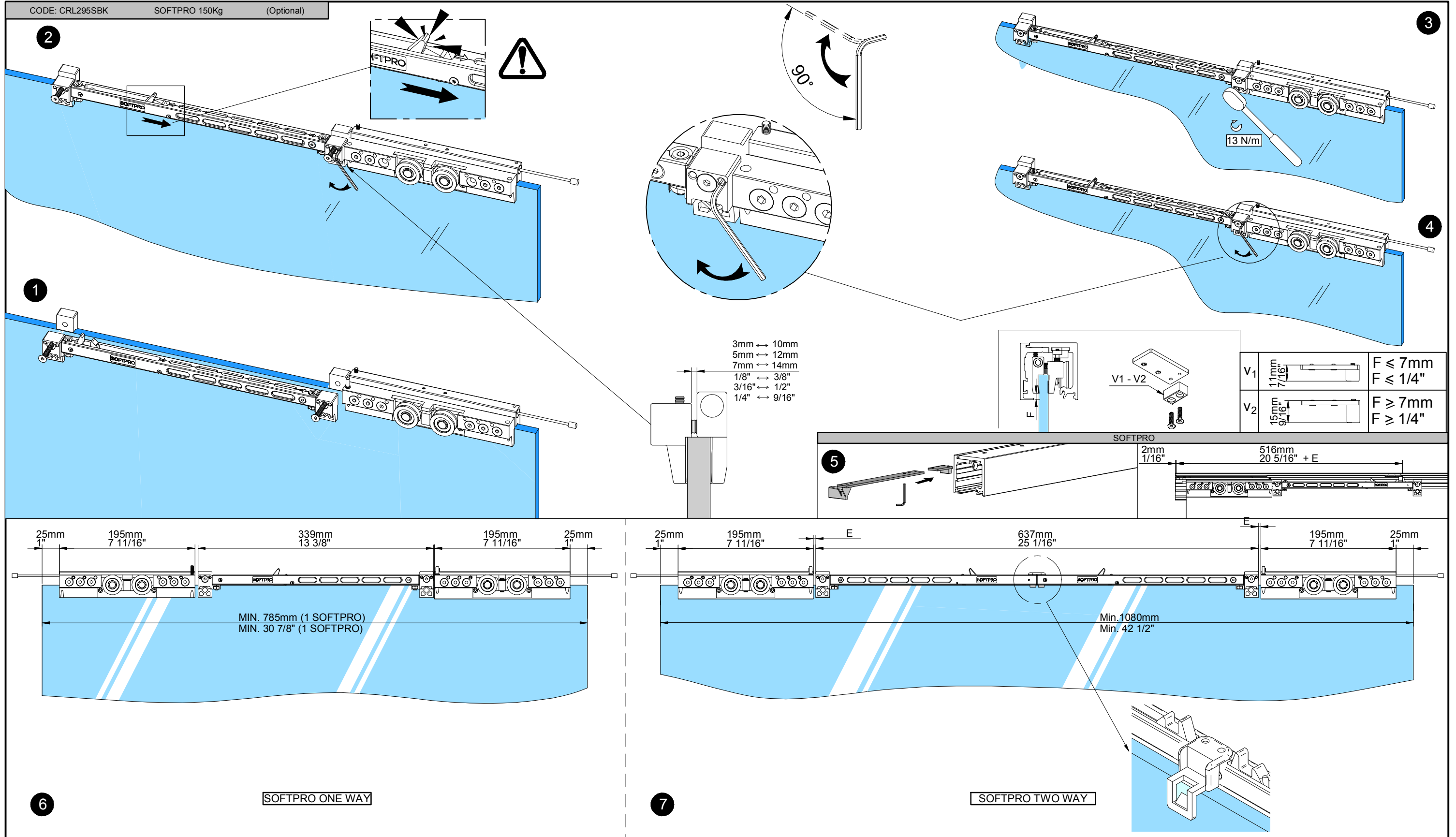
### WITHOUT FIX GLASS / SIN VIDRIO FIJO / AVEC VERRE FIXE

### WITH FIX GLASS / CON VIDRIO FIJO / AVEC VERRE FIXE

# C. R. LAURENCE CO., INC.

## ASSEMBLY INSTRUCTIONS FOR: CRL 490 | CRL 4901 | CRL 490 D | CRL 4901 D CRL 495 | CRL 4951 | CRL 495 D | CRL 4951 D

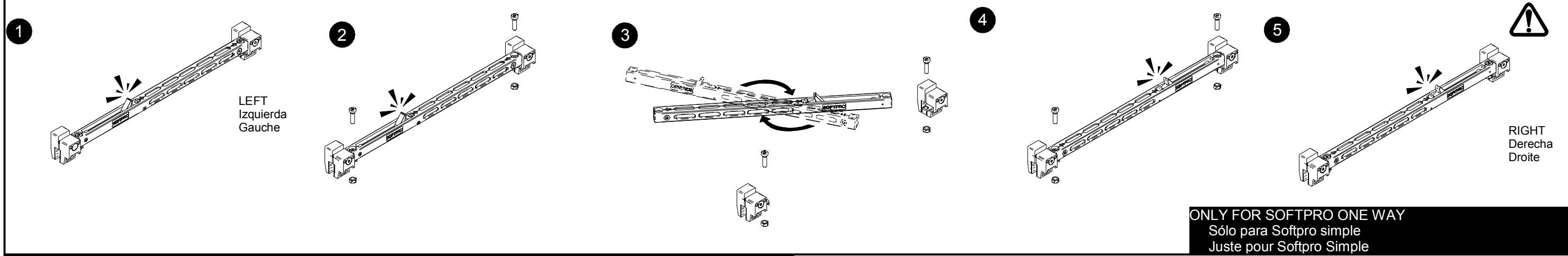
CODE: CRL295SBK SOFTPRO 150Kg (Optional)



# C. R. LAURENCE CO., INC.

## ASSEMBLY INSTRUCTIONS FOR: CRL 490 | CRL 4901 | CRL 490 D | CRL 4901 D CRL 495 | CRL 4951 | CRL 495 D | CRL 4951 D

Softpro Left / Right assembly - Montaje Softpro Izquierda / Derecha - Assemblage Softpro Droite / Gauche



Softpro Two Way at Softpro One Way

