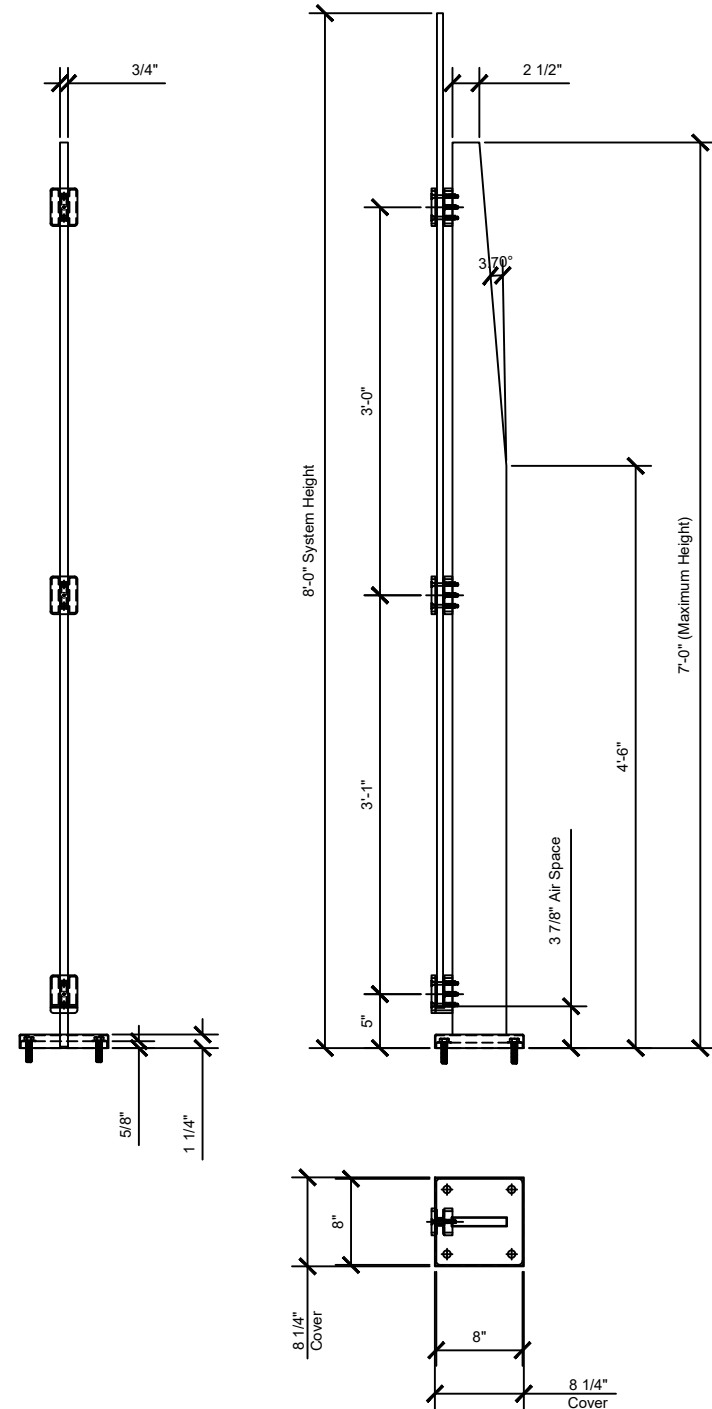


**STRUCTURAL DISCLAIMER:**

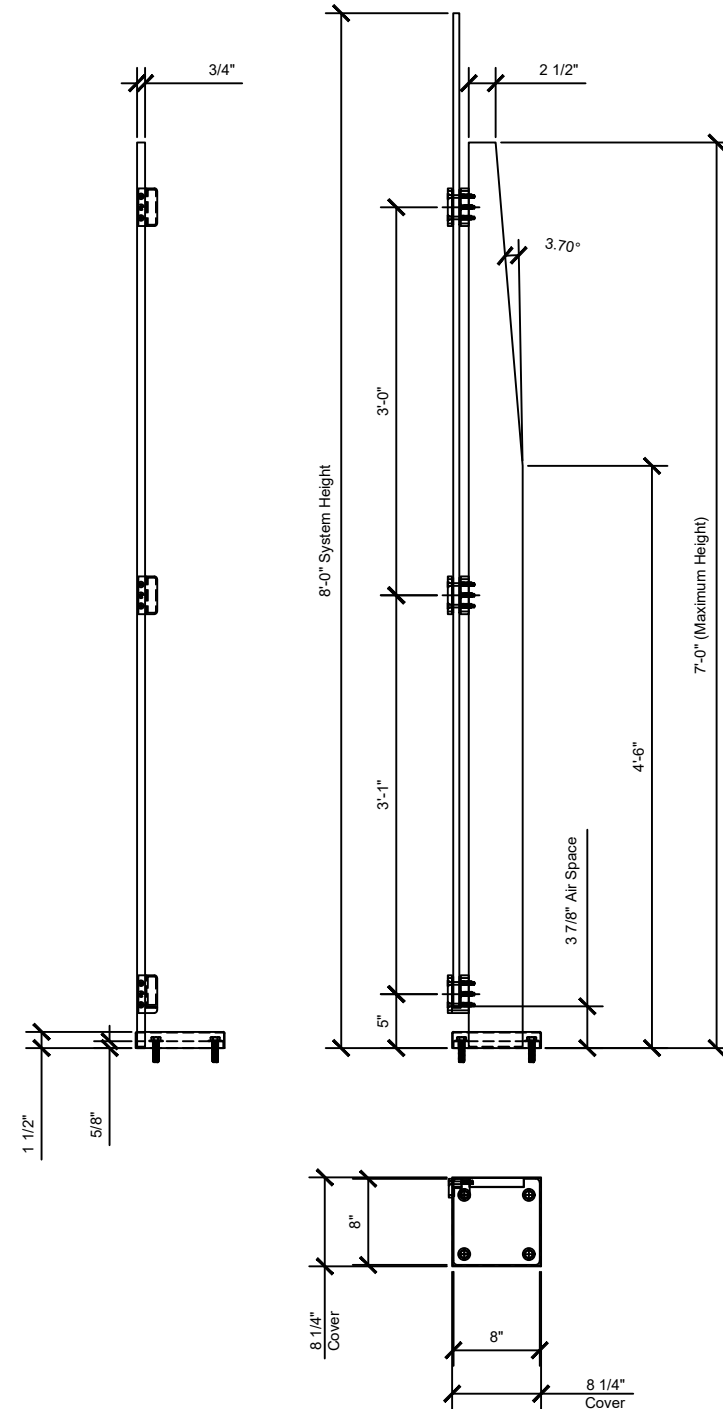
ALL CUSTOMERS WHO IN ANY WAY UTILIZE THIS PRODUCT ARE SOLELY RESPONSIBLE TO CONSULT A STRUCTURAL ENGINEER TO DETERMINE THE SUITABILITY OF THE PRODUCT FOR THE INTENDED USE AND SITE CONDITIONS. ALL INSTALLERS MUST BE QUALIFIED AND HAVE PROFESSIONAL KNOWLEDGE ABOUT COMPLIANCE WITH LOCAL, STATE AND FEDERAL REGULATIONS, SAFETY FACTORS, AND THE APPROPRIATE CHOICE OF FIXING MATERIAL AND PROCEDURES.

**ADDITIONAL SYSTEM NOTES:**

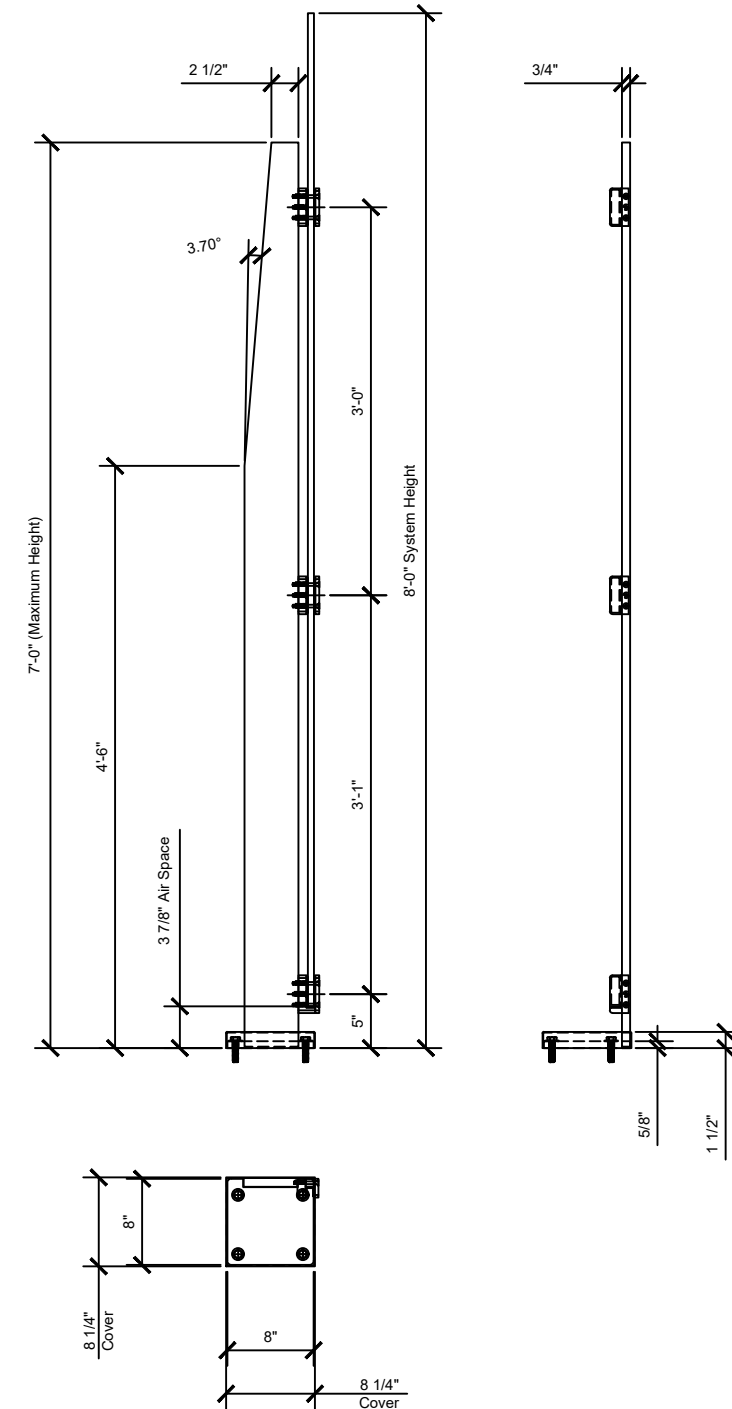
STANDARD SYSTEM DESIGNED FOR 9/16" TH. LAMINATED GLASS PANELS.  
CONSULT WITH CRL ENGINEERING WHEN CHANGING STANDARD GLASS THICKNESS OR CUSTOMIZING



① MET84CBS - 3/4" TH. BRUSHED SS CENTER POST (84" TALL)



② MET84LEBS - 3/4" TH. BRUSHED SS CENTER POST (84" TALL)



③ MET84REBS - 3/4" TH. BRUSHED SS CENTER POST (84" TALL)

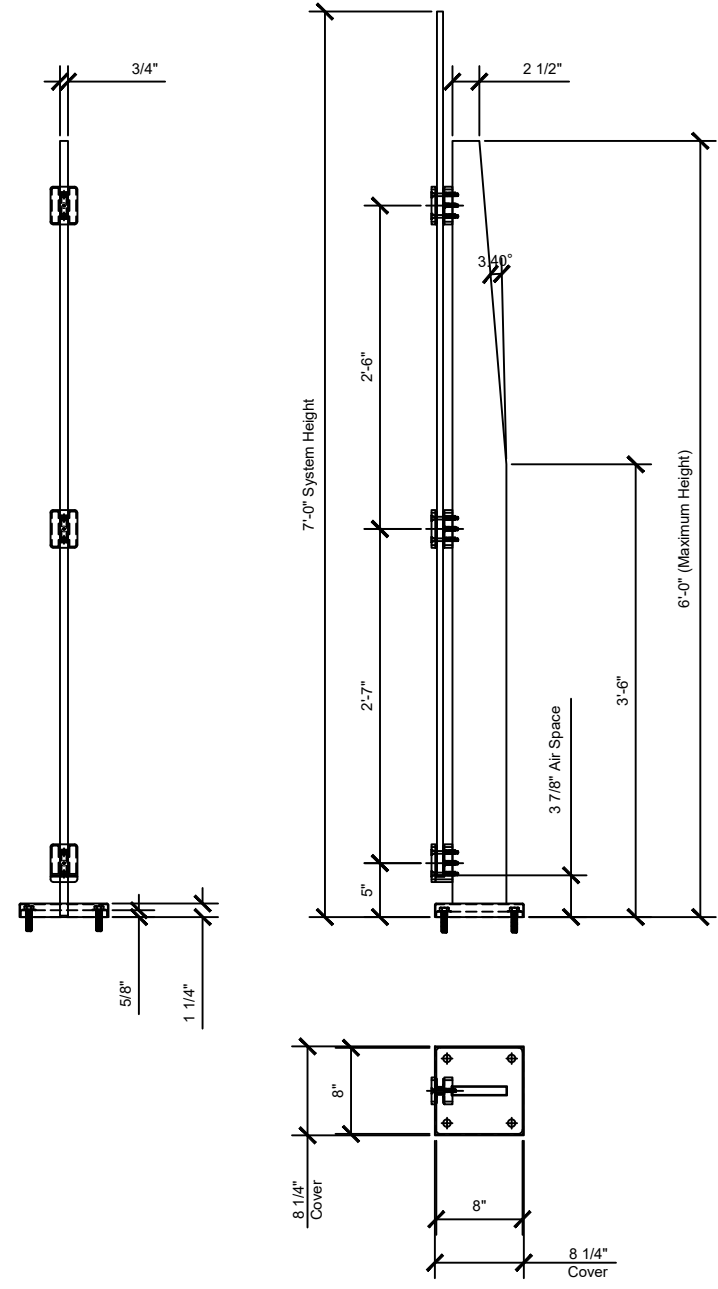
Revisions By:

**CRL**

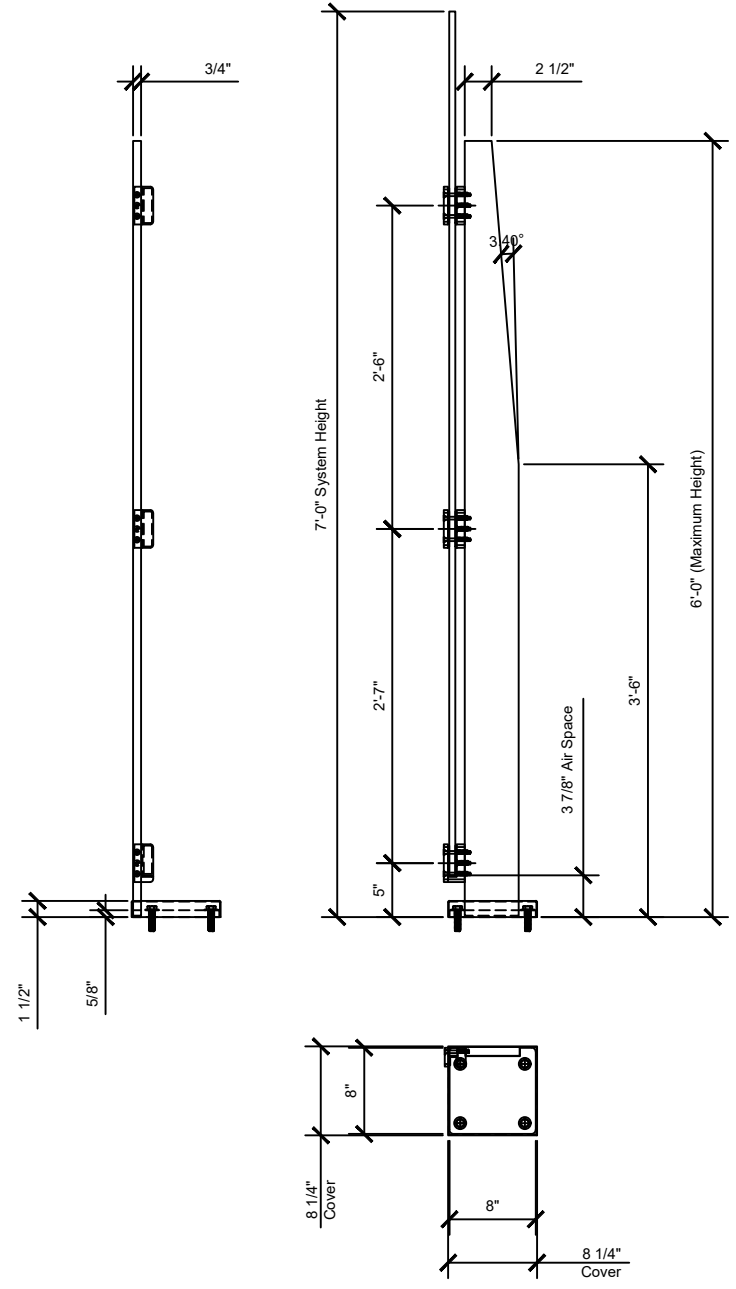
2503 E. Vernon Avenue, Los Angeles, CA 90058-1887  
PH (800)-421-6144 FX: 800-587-7501 www.crlaurence.com

Description:  
SYS0128A METROPOLIS  
POST SYSTEM

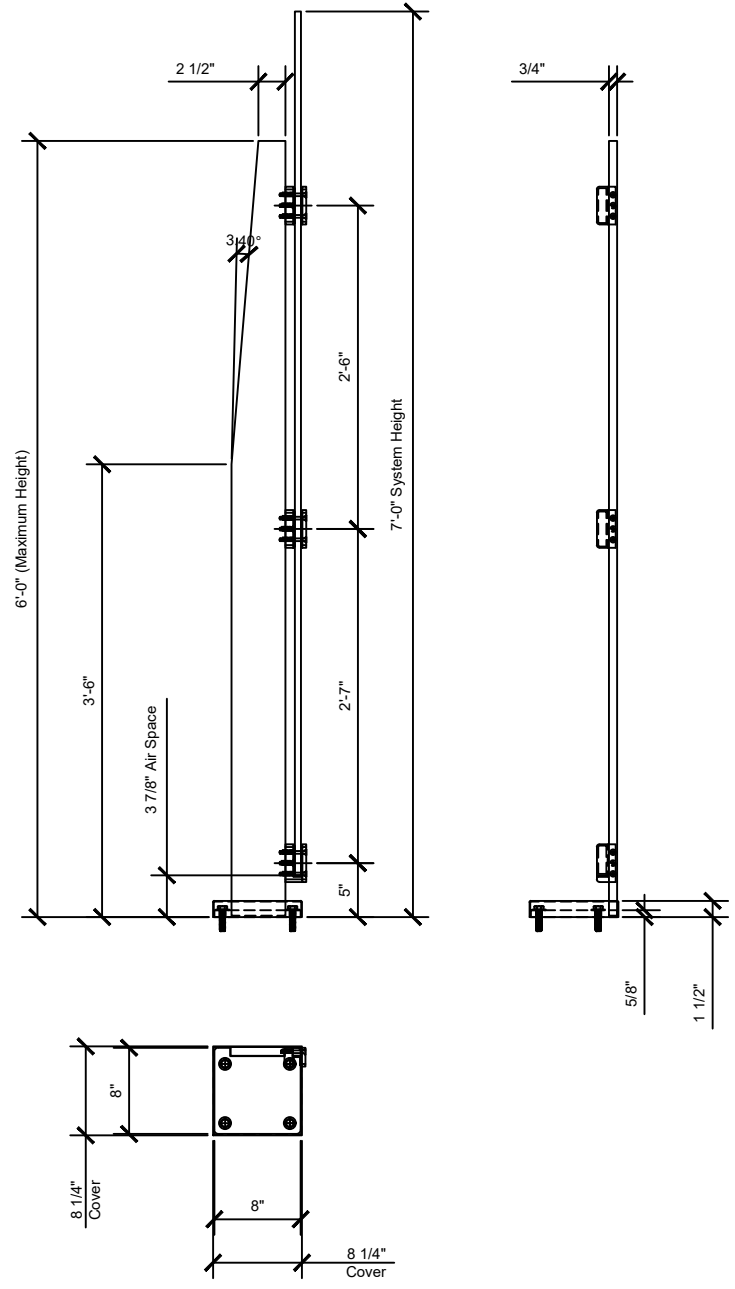
Drawn By: CRL  
Date: 6/20/20  
Scale: AS NOTED  
File Name:  
Metropolis Windscreen Post System  
Sheet



1 MET72CBS - 3/4" TH. BRUSHED SS CENTER POST (72" TALL)



2 MET72LEBS - 3/4" TH. BRUSHED SS CENTER POST (72" TALL)



3 MET72REBS - 3/4" TH. BRUSHED SS CENTER POST (72" TALL)

Revisions By:

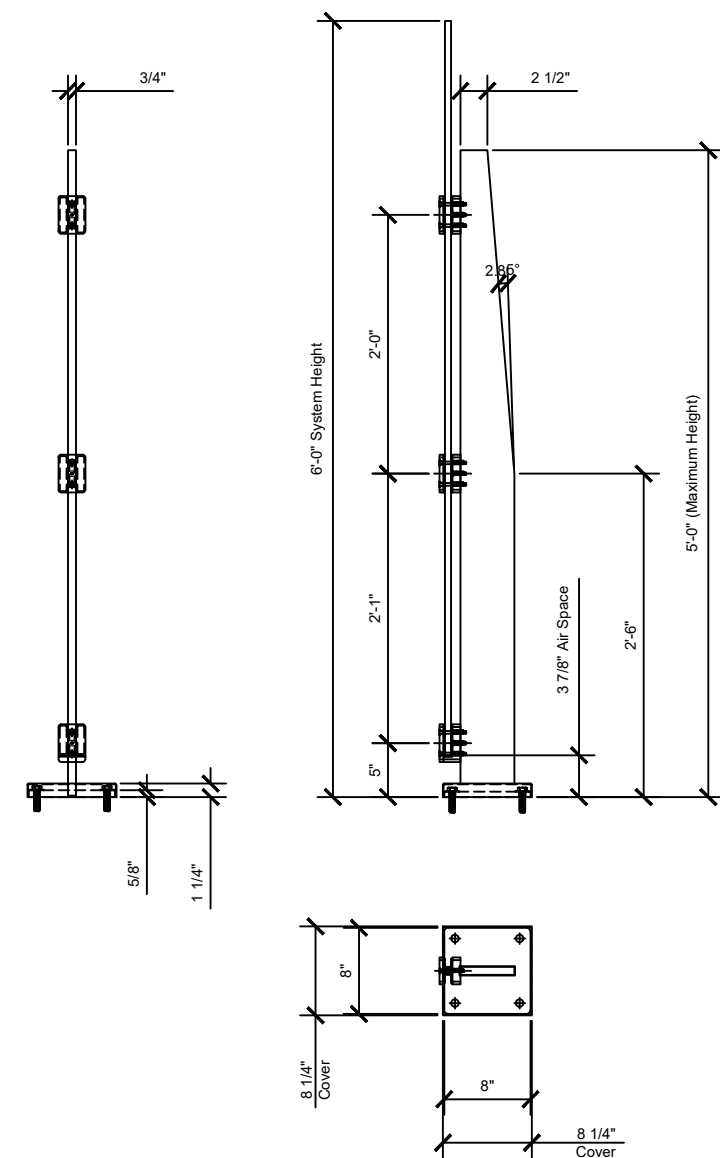
**CRL**  
 2503 E. Vernon Avenue, Los Angeles, CA 90058-1887  
 PH (800)-421-6144 FX: 800-587-7501 www.crlaurence.com

Description:  
 SYS0128A METROPOLIS  
 POST SYSTEM

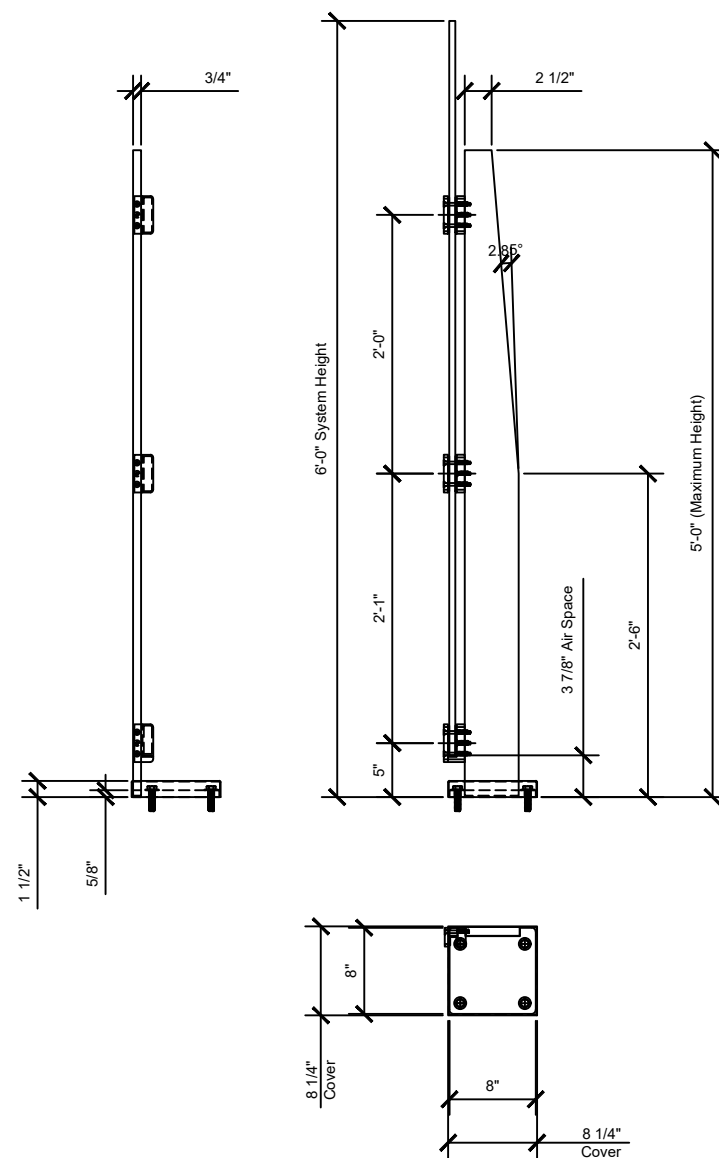
Drawn By: CRL  
 Date: 6/20/20  
 Scale: AS NOTED  
 File Name:  
 Metropolis Windscreen Post System

Description:  
 SYS0128A METROPOLIS  
 POST SYSTEM

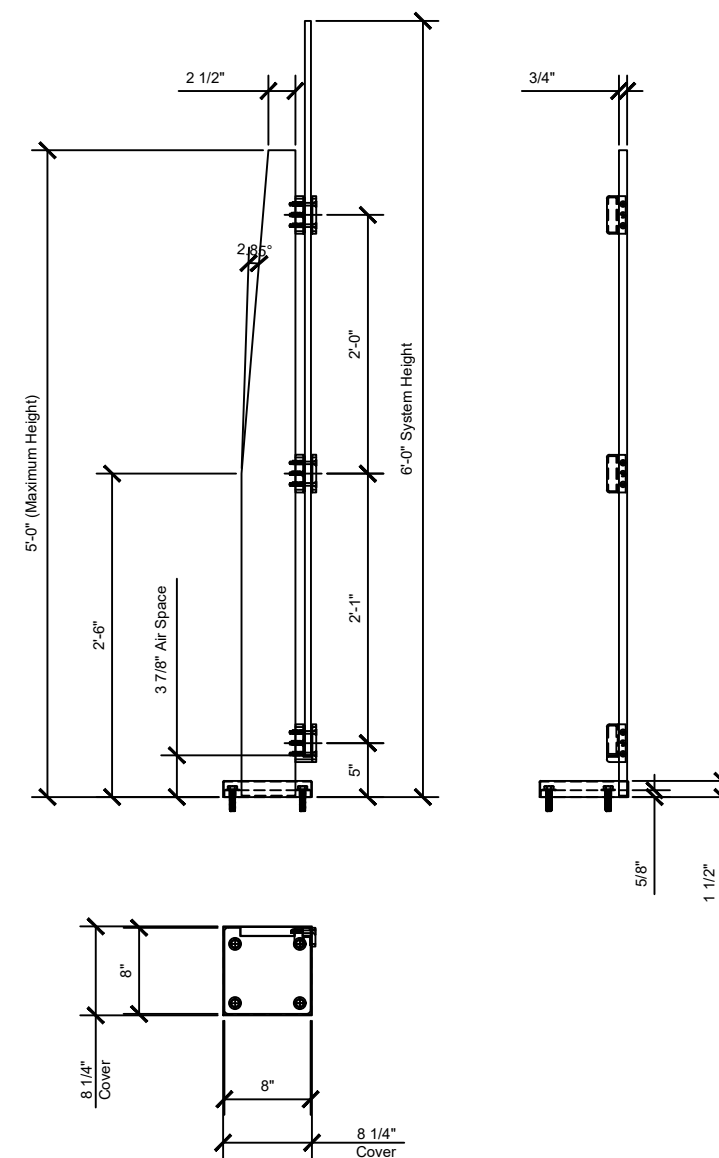
Drawn By: CRL  
 Date: 6/20/20  
 Scale: AS NOTED  
 File Name:  
 Metropolis Windscreen Post System  
 Sheet



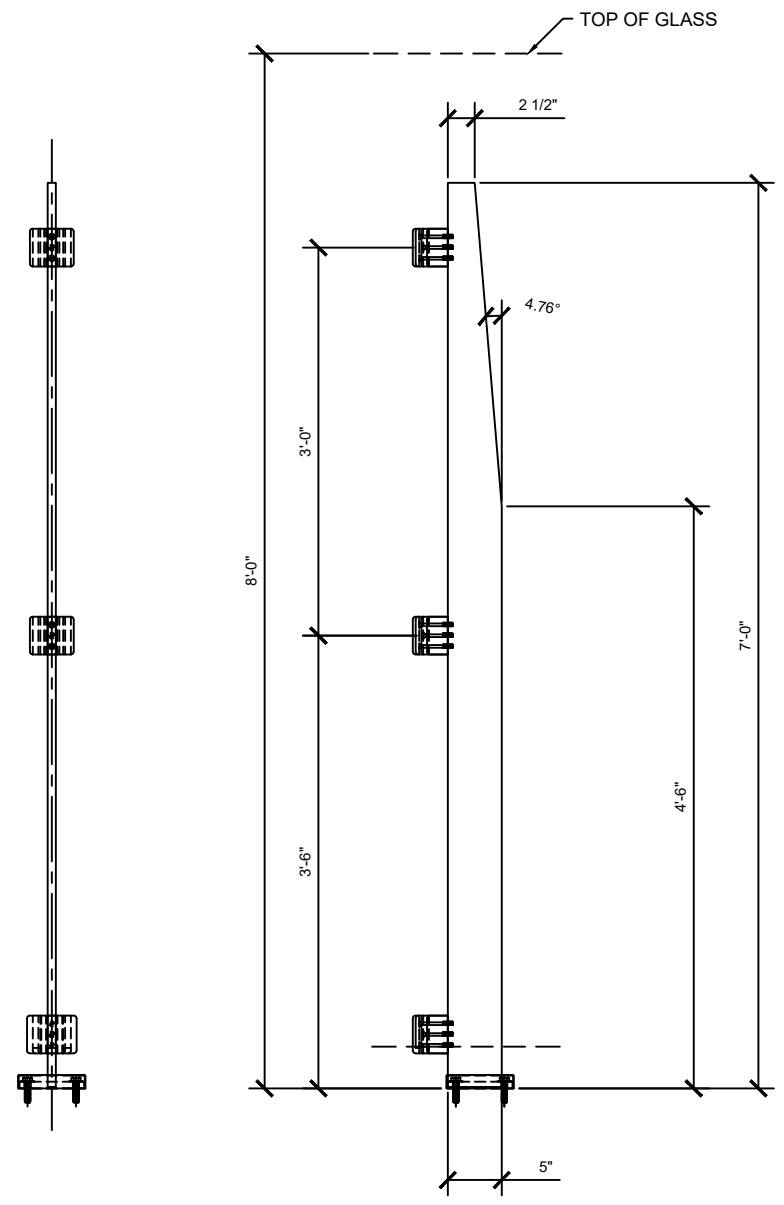
1 MET60CBS - 3/4" TH. BRUSHED SS CENTER POST (60" TALL)



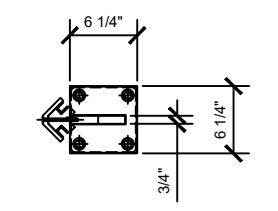
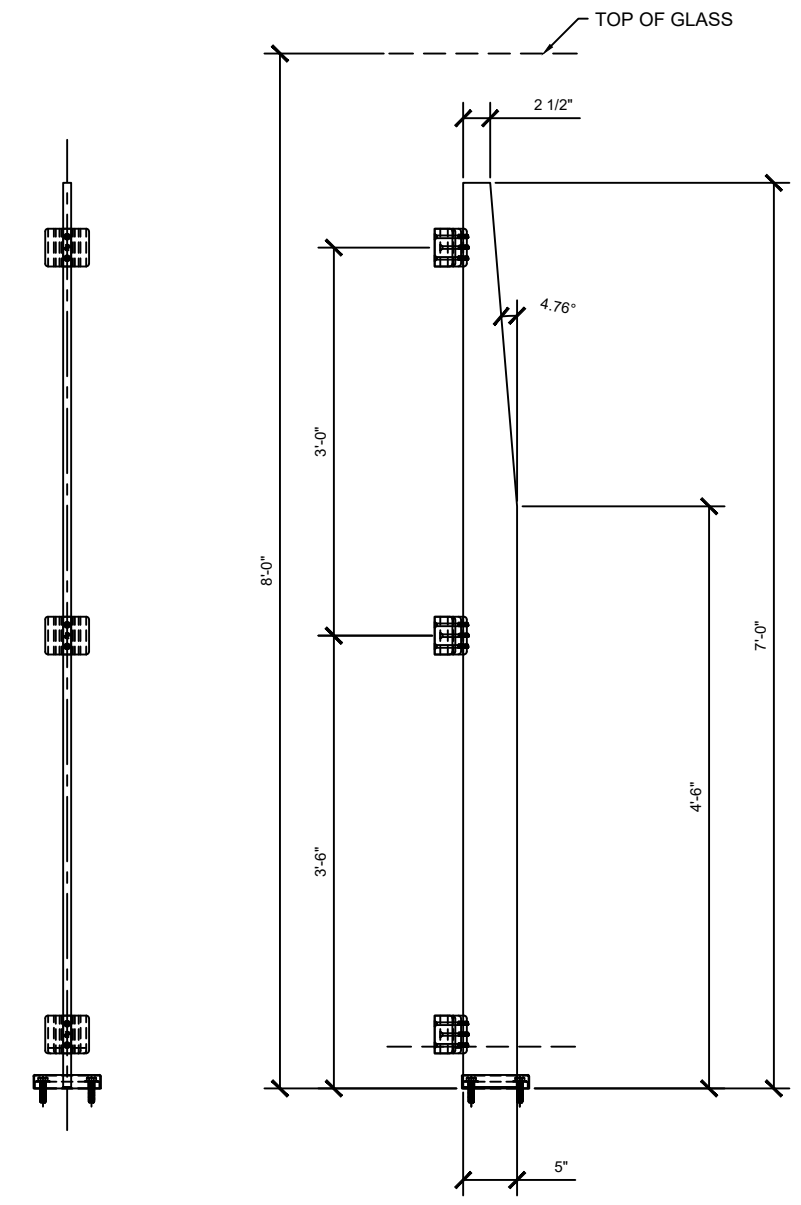
2 MET60LEBS - 3/4" TH. BRUSHED SS CENTER POST (60" TALL)



3 MET60REBS - 3/4" TH. BRUSHED SS CENTER POST (60" TALL)



1 KLARITY INTERIOR PARTITION - INSIDE CORNER POST  
 KCRKBSC - Custom Corner Post BS Finish  
 Scale: 1 1/2" = 1'-0"



2 KLARITY INTERIOR PARTITION - OUTSIDE CORNER POST  
 KCRKBSC - Custom Corner Post BS Finish  
 Scale: 1 1/2" = 1'-0"

Revisions By:

**CRL**  
 2503 E. Vernon Avenue, Los Angeles, CA 90058-1887  
 PH (800)-421-6144 FX: 800-587-7501 www.crlaurence.com

Description:  
 SYS0128A METROPOLIS  
 POST SYSTEM

Drawn By: CRL  
 Date: 6/20/20  
 Scale: AS NOTED  
 File Name:  
 Metropolis Windscreen Post System

Sheet

Revisions By:

# CRL

2503 E. Vernon Avenue, Los Angeles, CA 90058-1887  
PH (800)-421-6144 FX: 800-587-7501 www.crlaurence.com

Description:  
SYS0128A METROPOLIS  
POST SYSTEM

Drawn By: CRL  
Date: 6/20/20  
Scale: AS NOTED  
File Name:  
Metropolis Windscreen Post System  
Sheet

