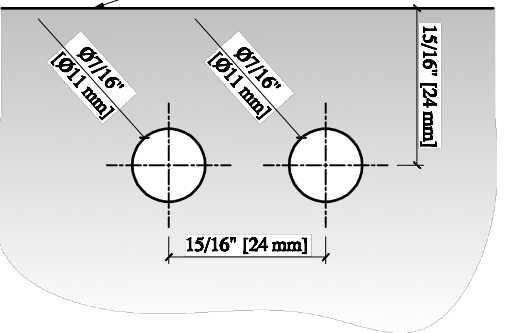
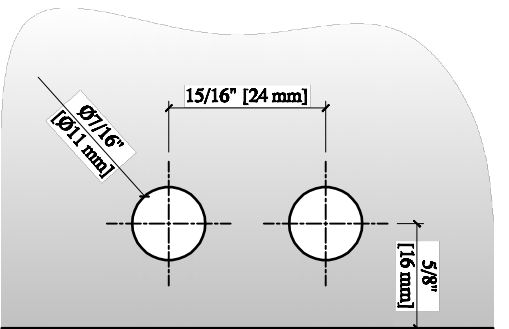


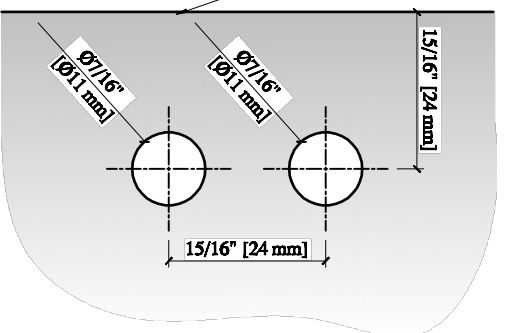
FIXED SIDE
GLASS FABRICATION



PIVOT SIDE
GLASS FABRICATION

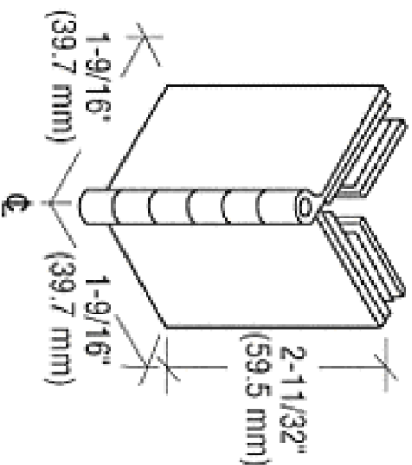
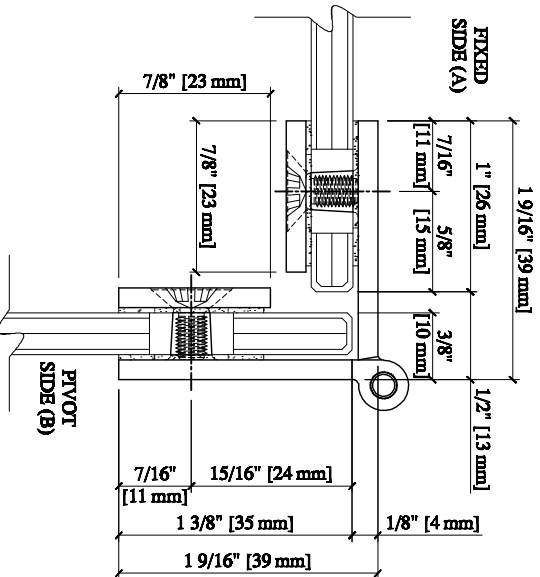


FIXED SIDE
GLASS FABRICATION



PIVOT SIDE
GLASS FABRICATION

**GLASS FABRICATION
FOR 5/16" (8mm) THK. GLASS**



**90 DEG. GLASS TO GLASS
RETURN HINGE**

CATALOG NUMBER	FINISH
EH254	CHROME
EH252	BRASS

THE MAXIMUM RECOMMENDED DOOR WIDTH IS 22" (559 mm).
AND A MAXIMUM WEIGHT OF 30 lbs. (13.6 kg)

ALWAYS USE DIMENSIONS SHOWN ON THE PLAN.
DO NOT SCALE OR DIMENSION ACTUAL DRAWING
TO ENSURE ACCURACY

CRL ARCHITECTURAL PRODUCTS
P.O. BOX 10000
PH: 800-421-6144 FX: 800-262-3299
WWW.CRLAURANCE.COM

DESCRIPTION: 90 DEGREE GLASS TO GLASS RETURN HINGE
FOR 1/4" (6 mm) TO 5/16" (8mm) GLASS

CAT. NO. (SEE CHART)	DATE
FILE NAME: EH254	12/12/09
DRAWN BY: G. P. d.	SCALE: N.T.S.
CHECKED BY: C.H.	SHEET 1 OF 1