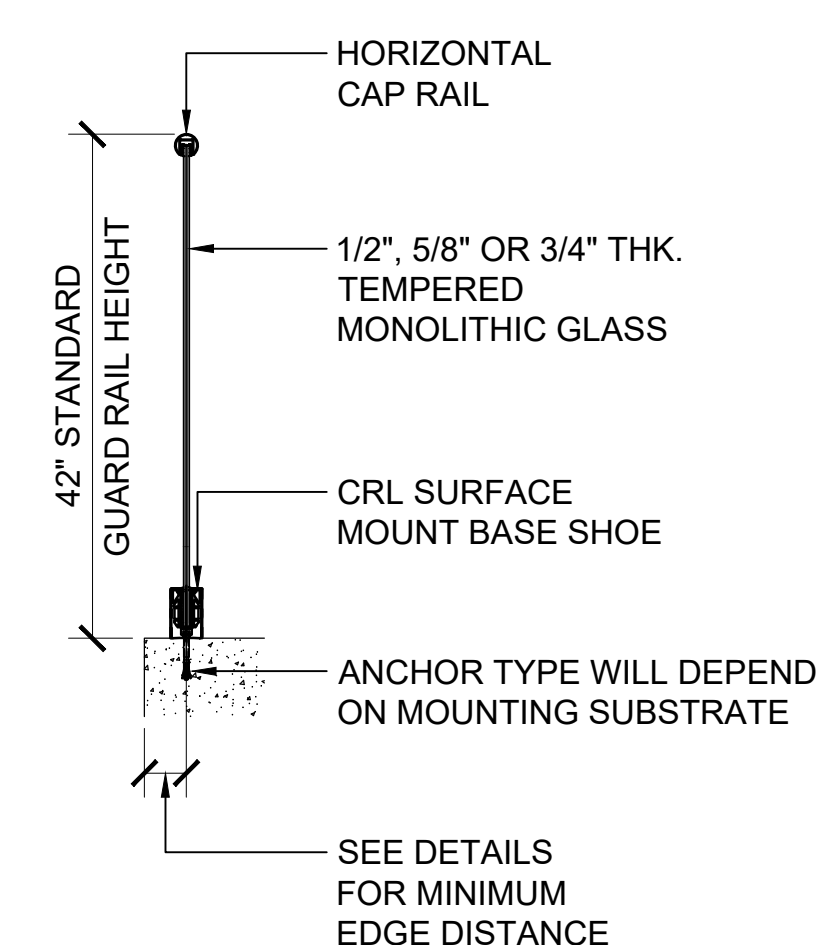
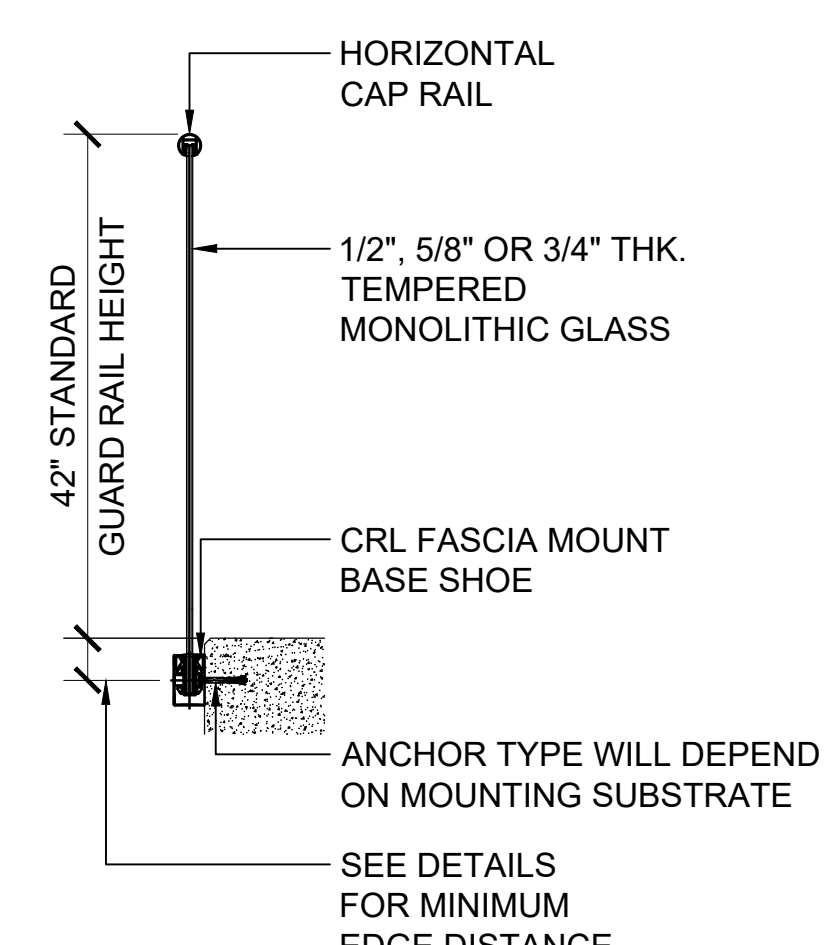
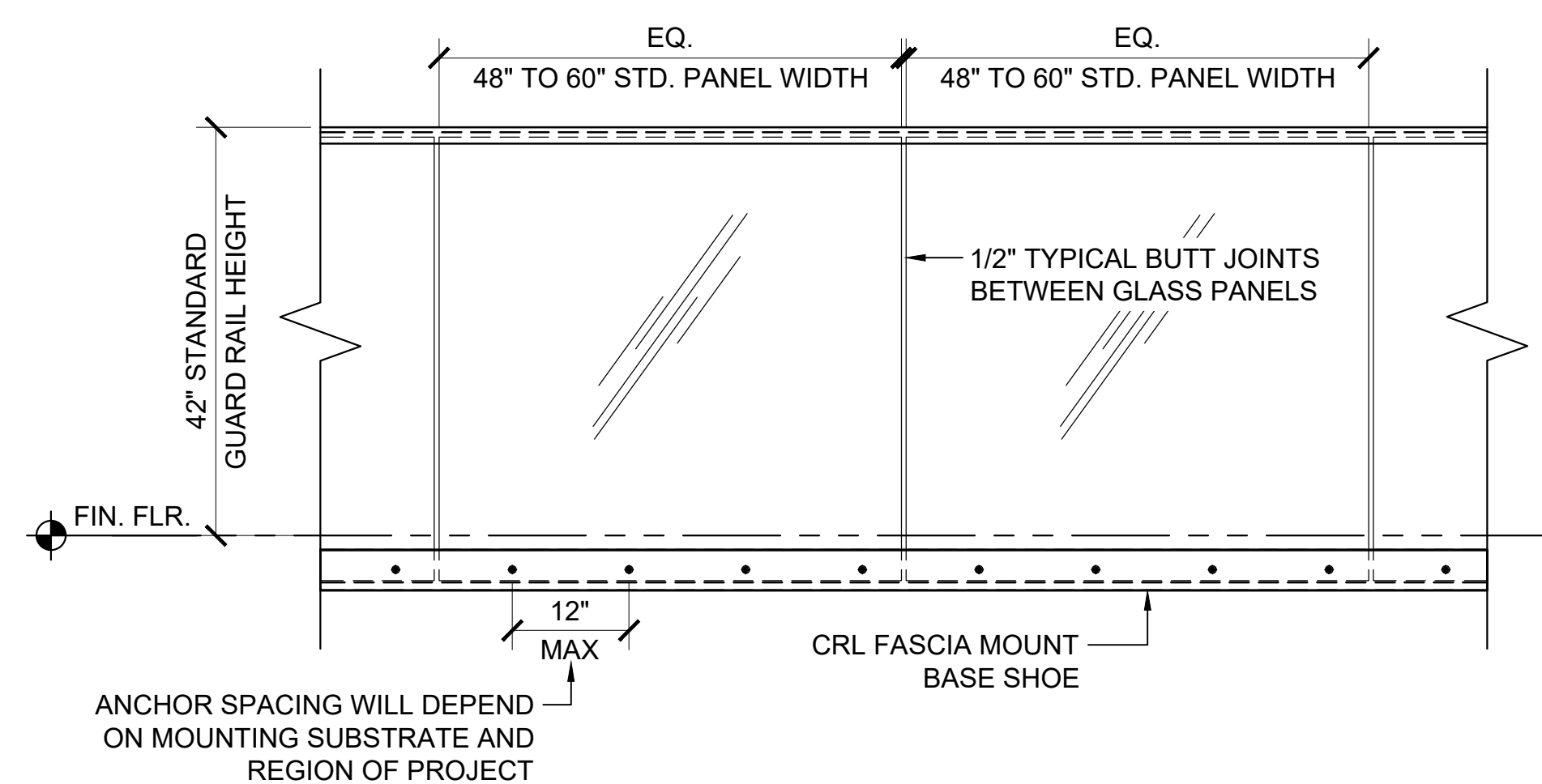


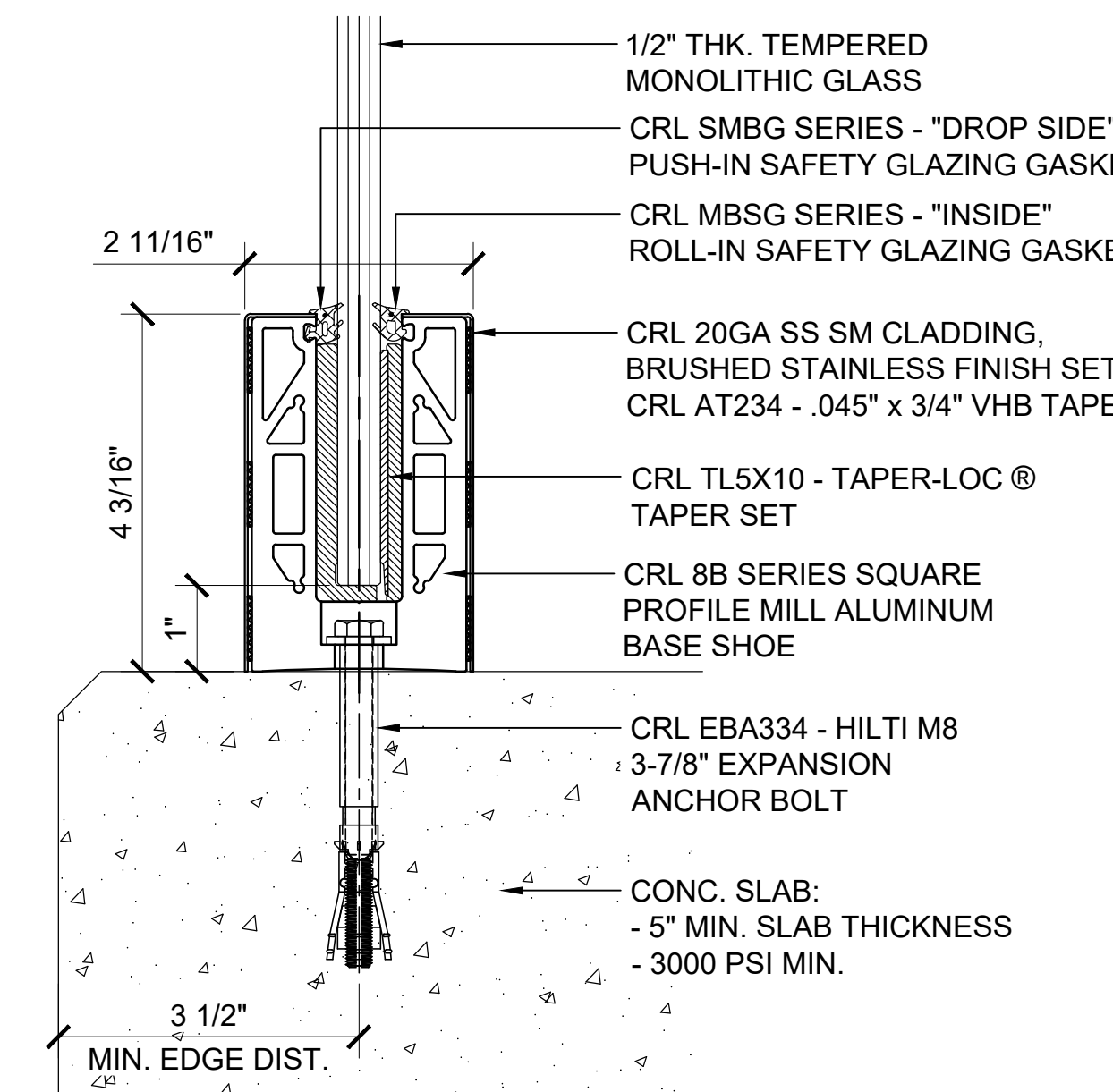
TYPICAL GRS GLASS RAILING ELEVATION VIEW - SURFACE MOUNT



TYPICAL GRS GLASS RAILING ELEVATION VIEW - FASCIA MOUNT

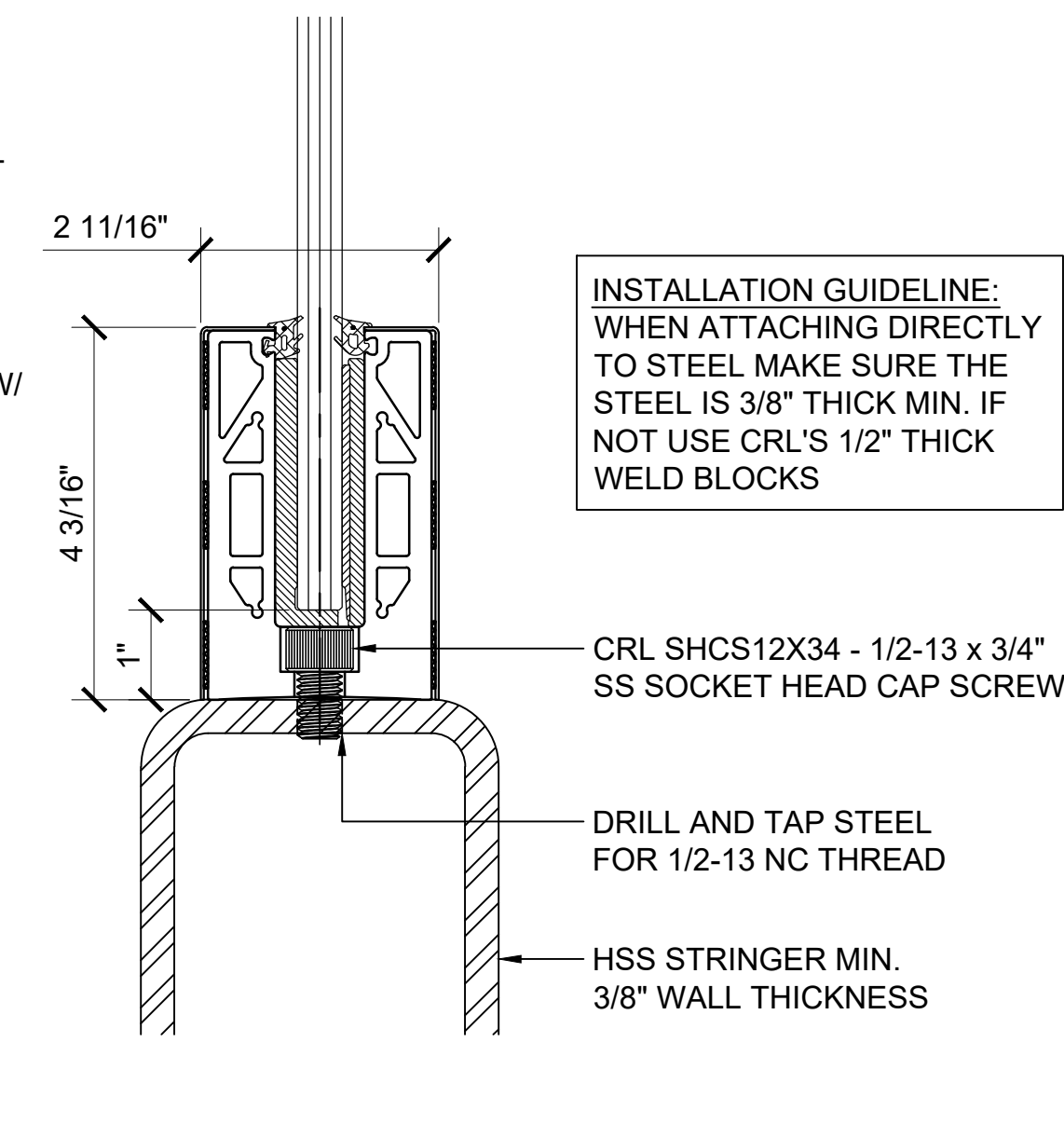


TYPICAL BASE SHOE ATTACHMENTS USING THE 8B SERIES BASE SHOE WITH TAPER-LOC® SYSTEM



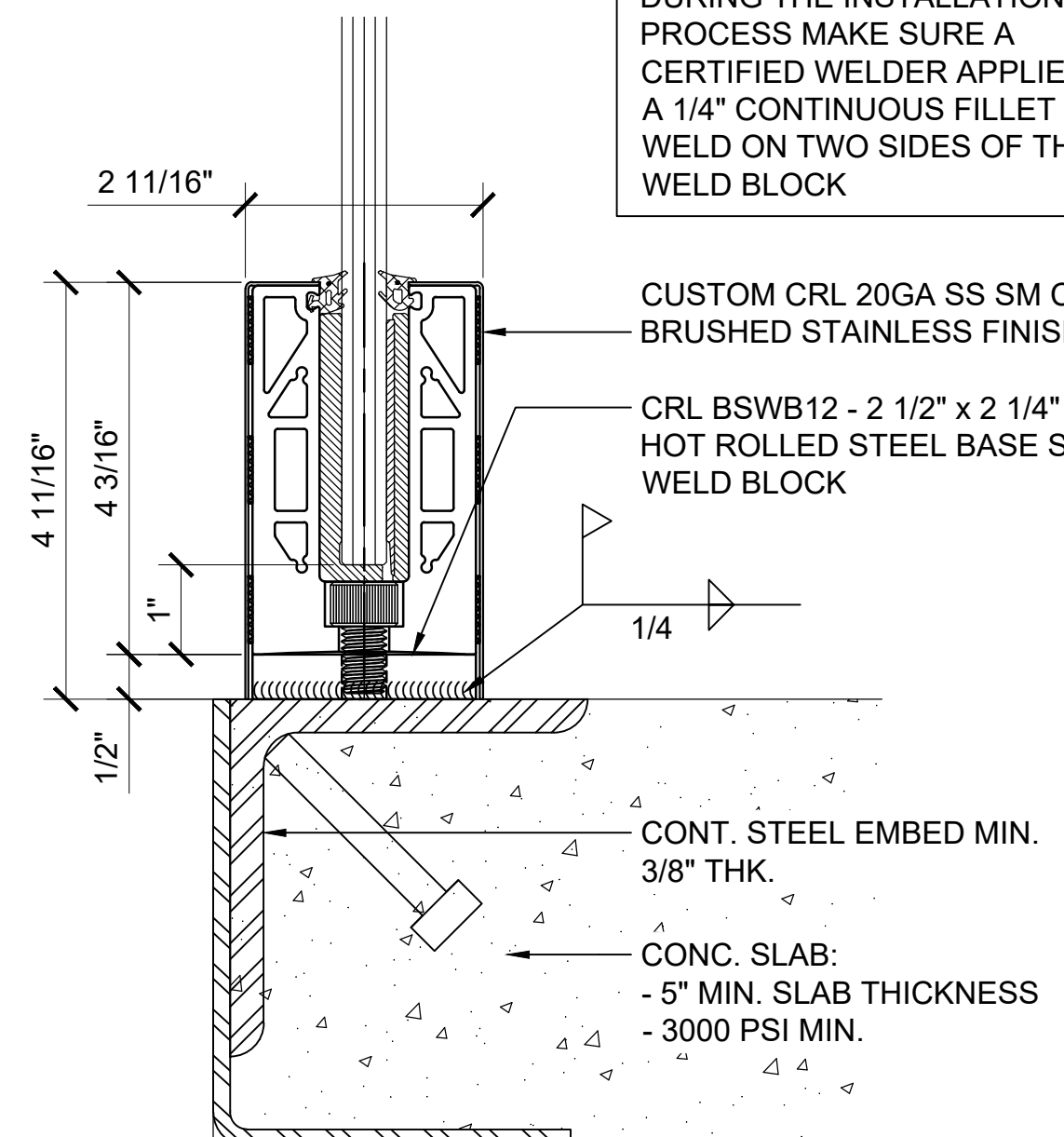
SURFACE MOUNT DETAIL CONCRETE SUBSTRATE

ANCHOR SPACING WILL DEPEND ON MOUNTING SUBSTRATE AND REGION OF PROJECT



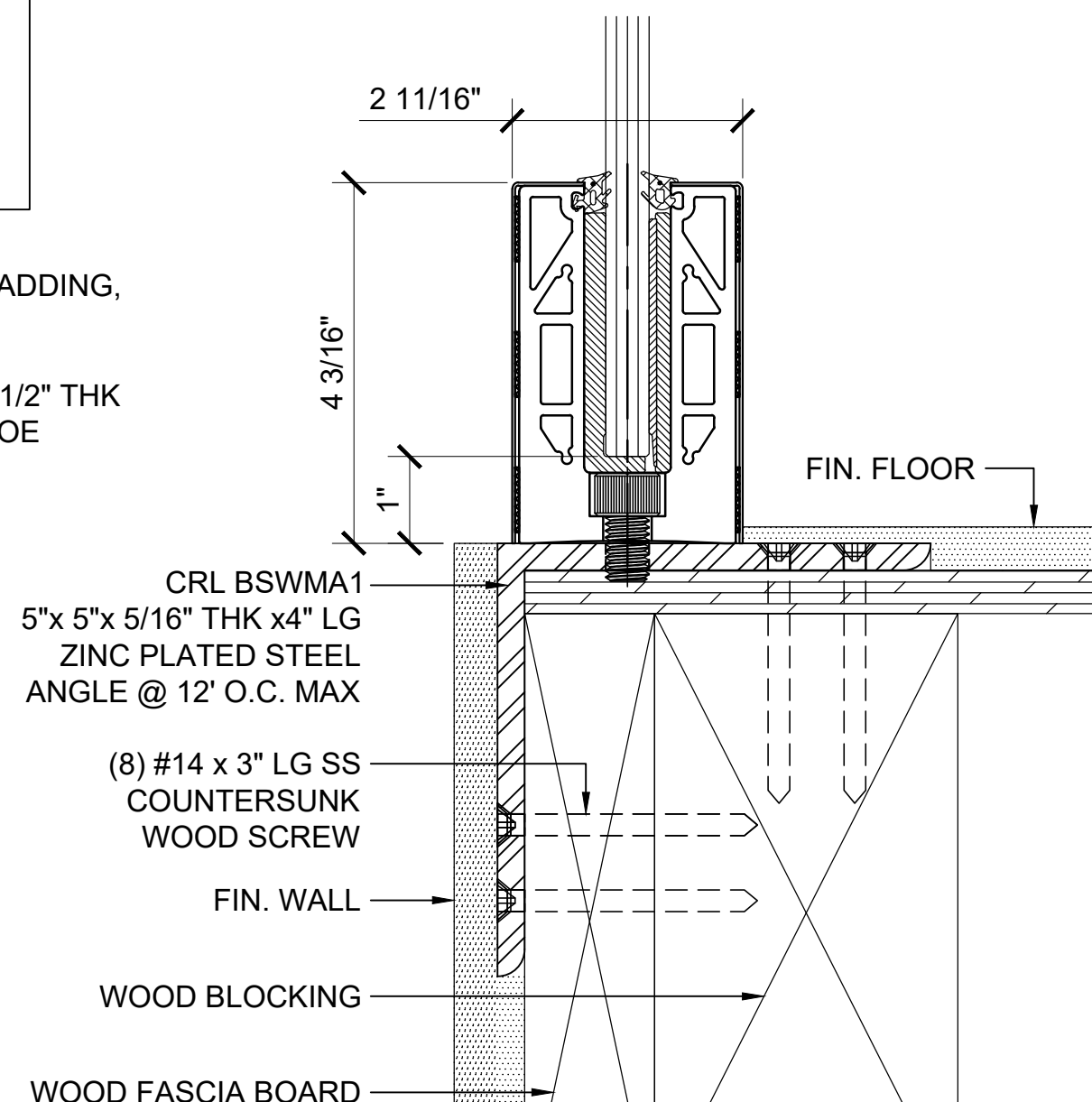
SURFACE MOUNT DETAIL STEEL SUBSTRATE

12" ON CENTER ANCHOR SPACING



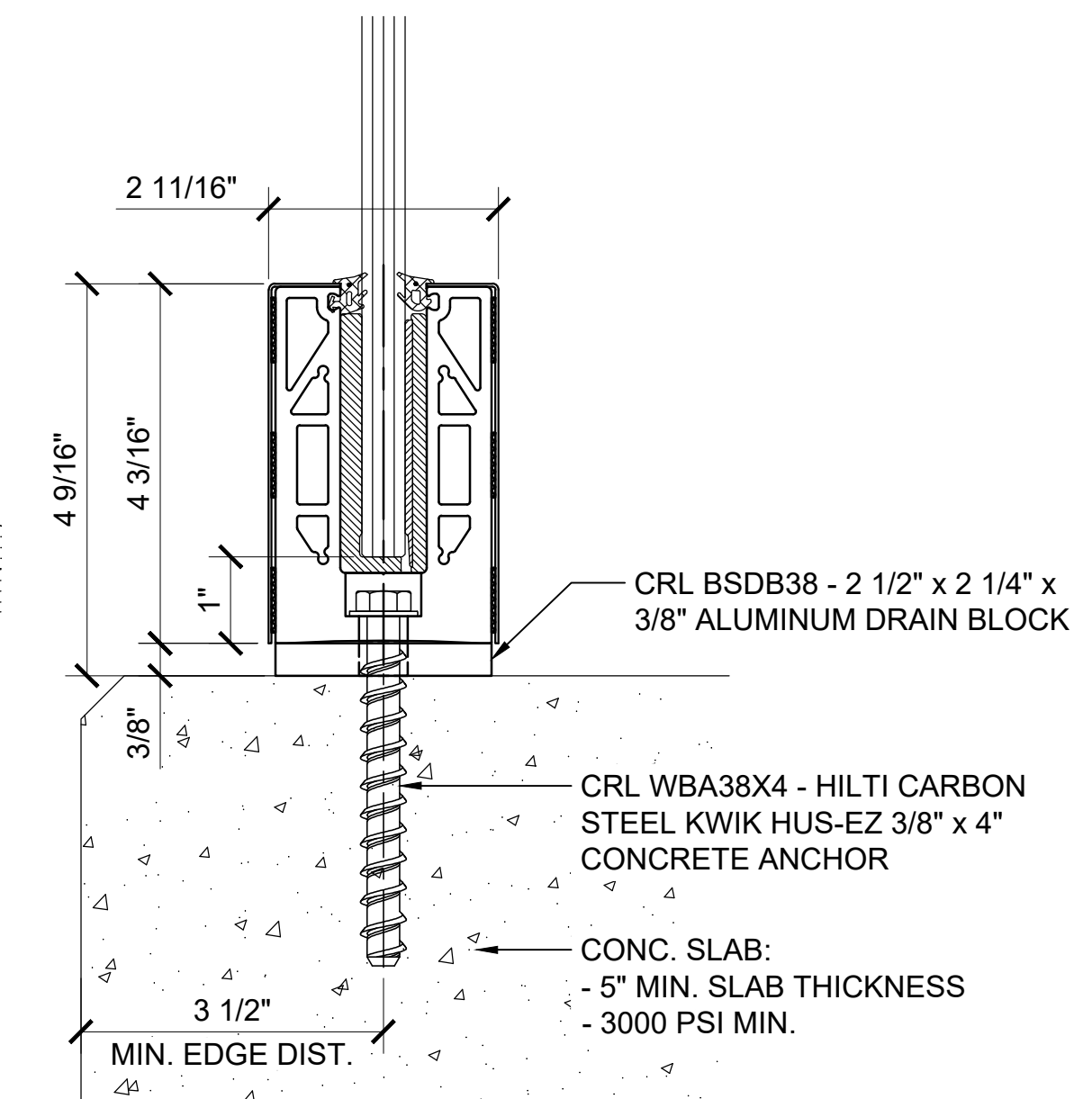
SURFACE MOUNT DETAIL STEEL SUBSTRATE W/ WELD BLOCK

12" ON CENTER ANCHOR SPACING



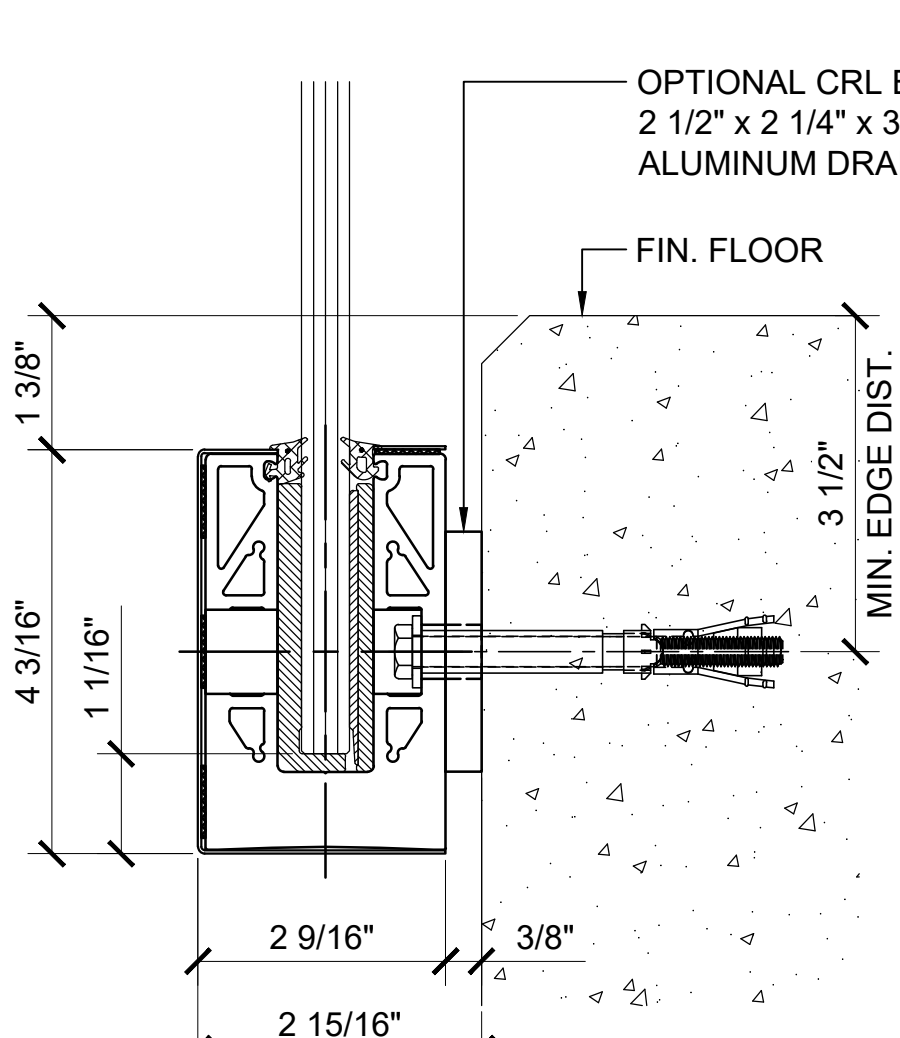
SURFACE MOUNT DETAIL WOOD SUBSTRATE

12" ON CENTER ANCHOR SPACING



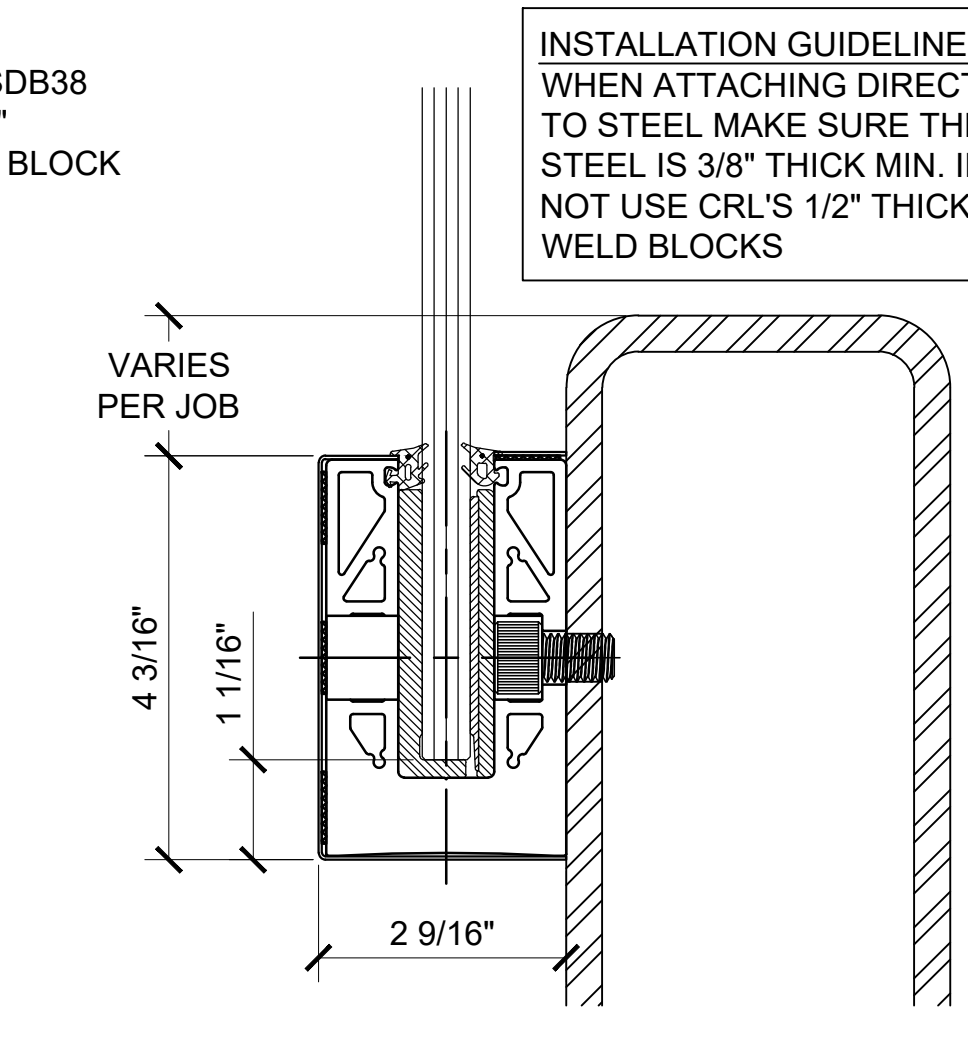
SURFACE MOUNT DETAIL CONCRETE SUBSTRATE W/ DRAIN BLOCK

ANCHOR SPACING WILL DEPEND ON MOUNTING SUBSTRATE AND REGION OF PROJECT



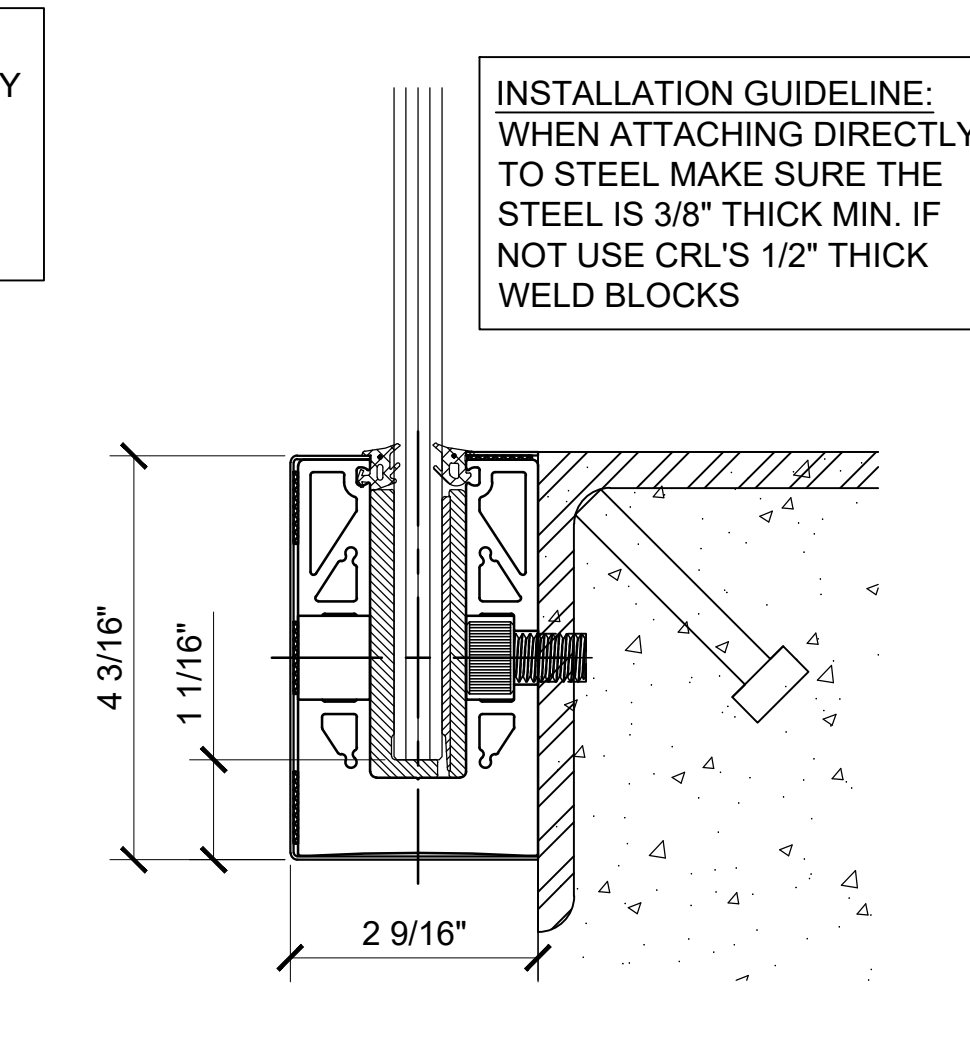
FASCIA MOUNT DETAIL CONCRETE SUBSTRATE

ANCHOR SPACING WILL DEPEND ON MOUNTING SUBSTRATE AND REGION OF PROJECT



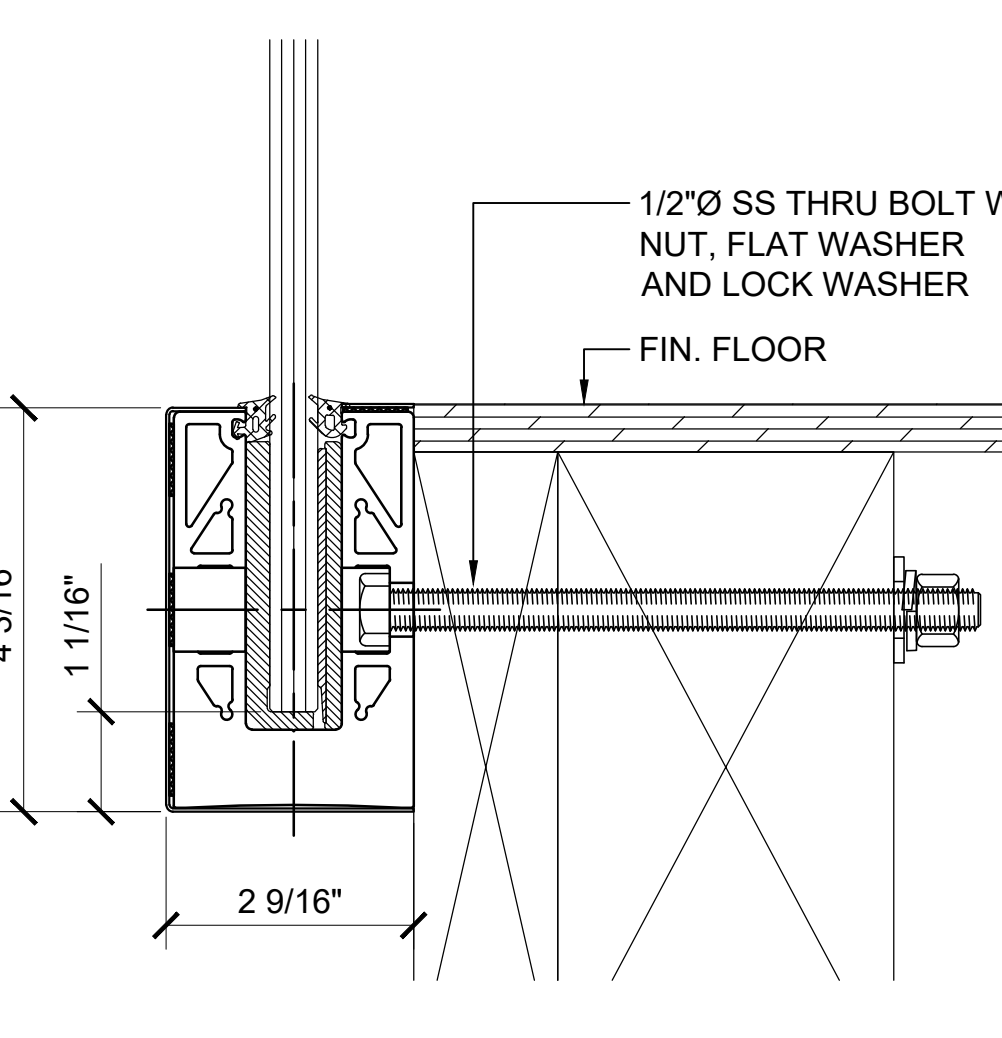
FASCIA MOUNT DETAIL STEEL SUBSTRATE

12" ON CENTER ANCHOR SPACING



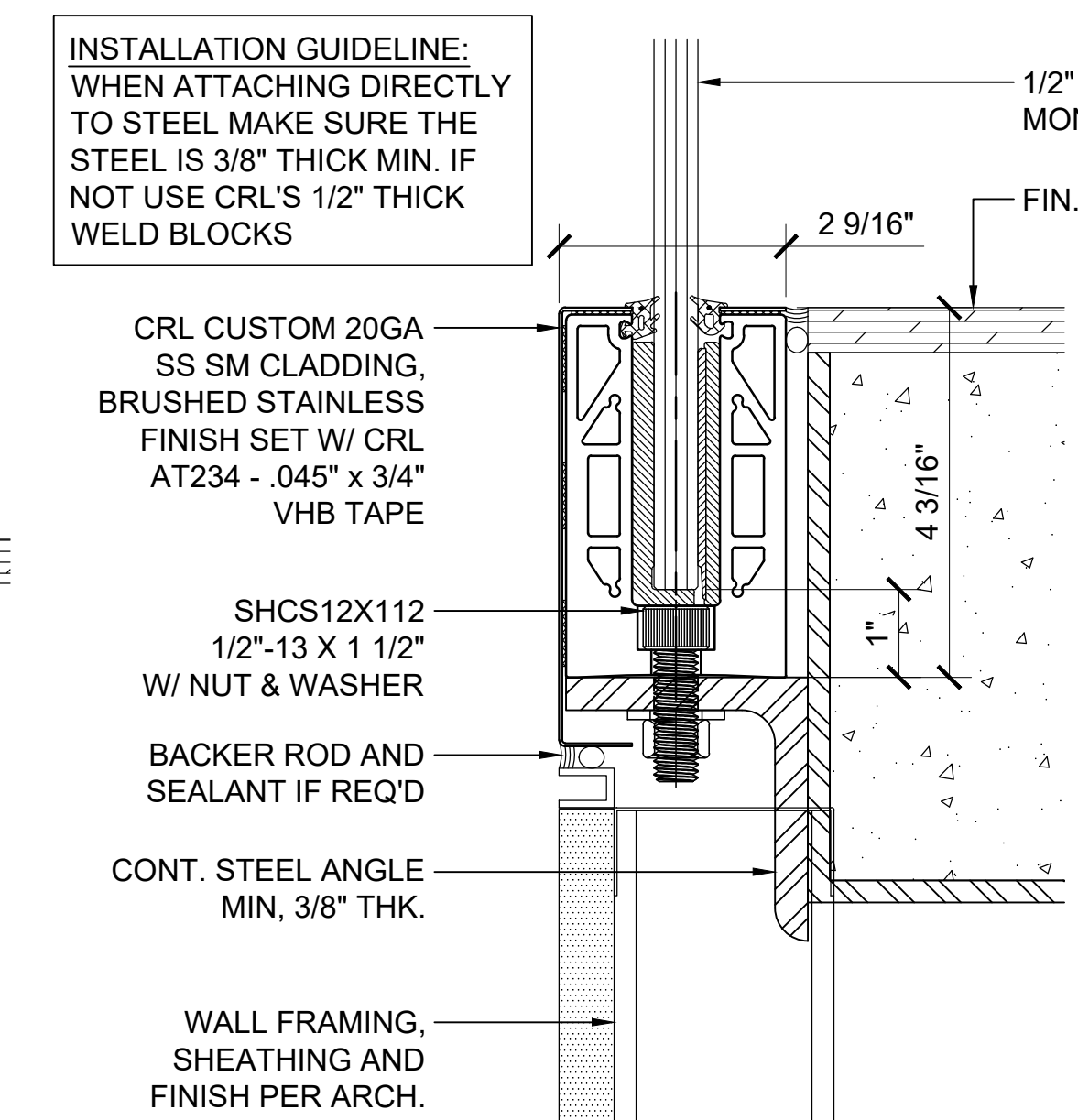
FASCIA MOUNT DETAIL STEEL SUBSTRATE

12" ON CENTER ANCHOR SPACING



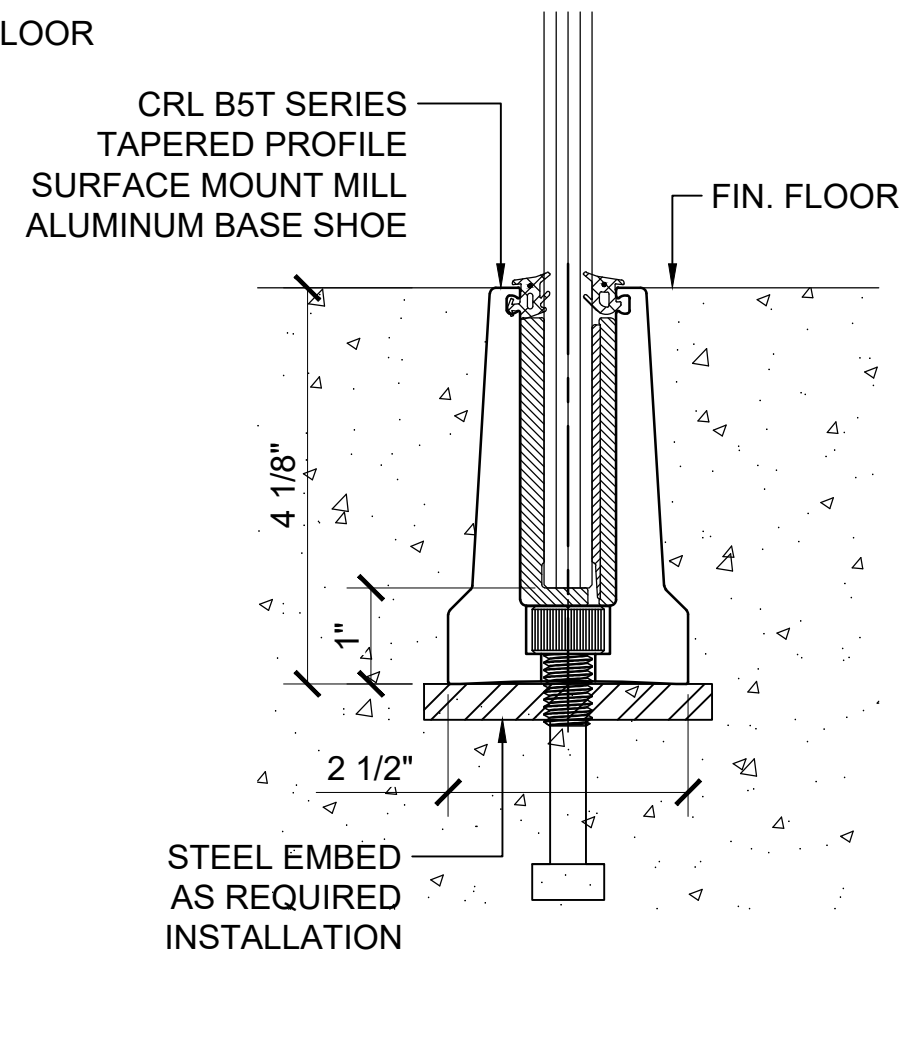
FASCIA MOUNT DETAIL WOOD SUBSTRATE

ANCHOR SPACING WILL DEPEND ON MOUNTING SUBSTRATE AND REGION OF PROJECT



SURFACE MOUNT DETAIL STEEL SUBSTRATE W/ CUSTOM CLADDING

12" ON CENTER ANCHOR SPACING



EMBED MOUNT CONCRETE SUBSTRATE

ANCHOR SPACING WILL DEPEND ON MOUNTING SUBSTRATE AND REGION OF PROJECT

INSTALLATION GUIDELINE: DURING THE INSTALLATION PROCESS MAKE SURE A CERTIFIED WELDER APPLIES A 1/4" CONTINUOUS FILLET WELD ON TWO SIDES OF THE WELD BLOCK

INSTALLATION GUIDELINE: WHEN ATTACHING DIRECTLY TO STEEL MAKE SURE THE STEEL IS 3/8" THICK MIN. IF NOT USE CRL'S 1/2" THICK WELD BLOCKS

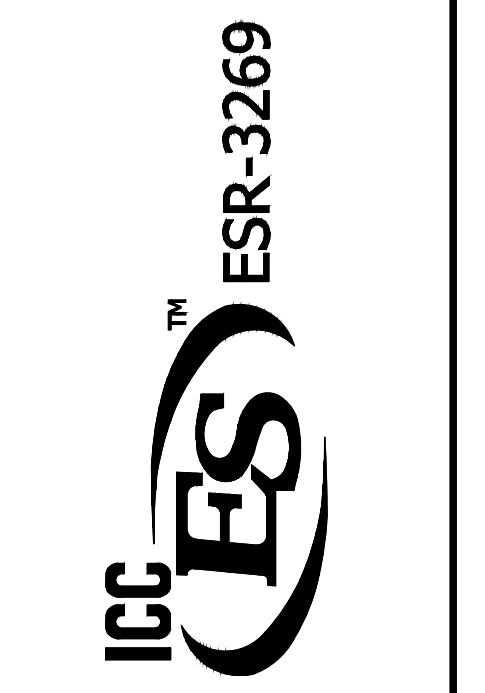
INSTALLATION GUIDELINE: WHEN ATTACHING DIRECTLY TO STEEL MAKE SURE THE STEEL IS 3/8" THICK MIN. IF NOT USE CRL'S 1/2" THICK WELD BLOCKS

INSTALLATION GUIDELINE: WHEN ATTACHING DIRECTLY TO STEEL MAKE SURE THE STEEL IS 3/8" THICK MIN. IF NOT USE CRL'S 1/2" THICK WELD BLOCKS

INSTALLATION GUIDELINE: WHEN ATTACHING DIRECTLY TO STEEL MAKE SURE THE STEEL IS 3/8" THICK MIN. IF NOT USE CRL'S 1/2" THICK WELD BLOCKS

Revisions By:

5	-	-
4	06/28/21	AB
3	06/05/18	VM
2	08/12/16	JG
1	02/08/16	JG

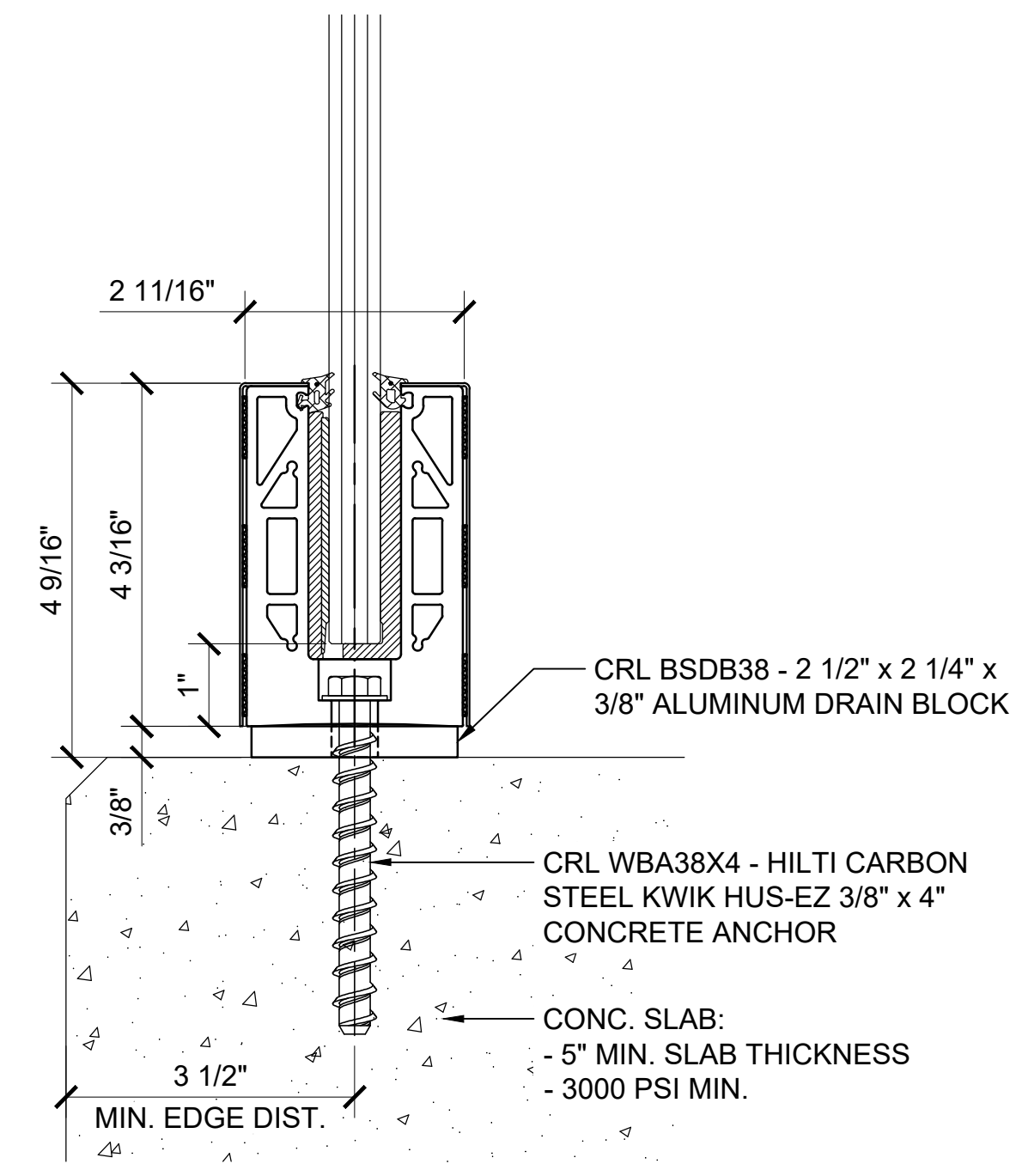
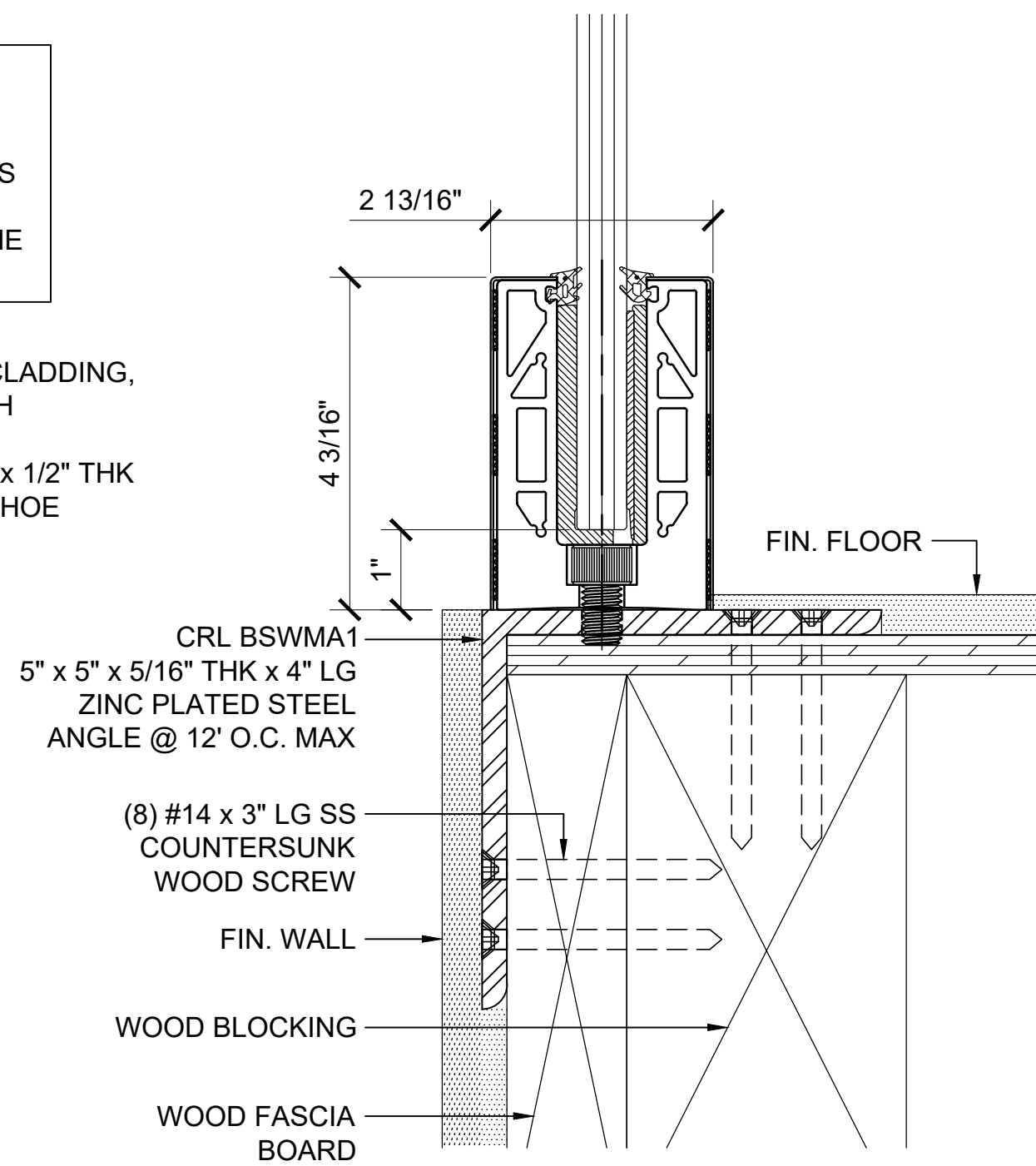
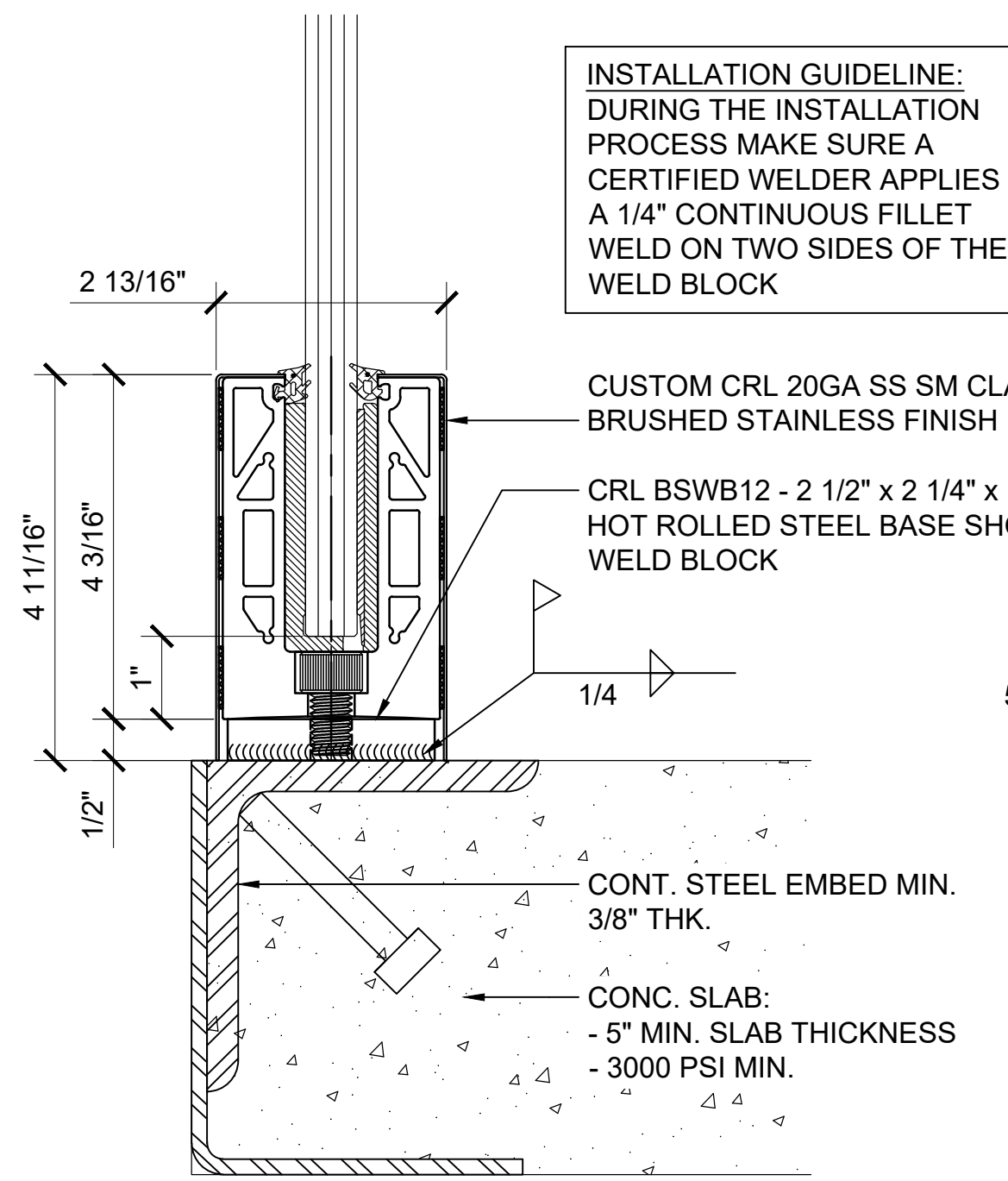
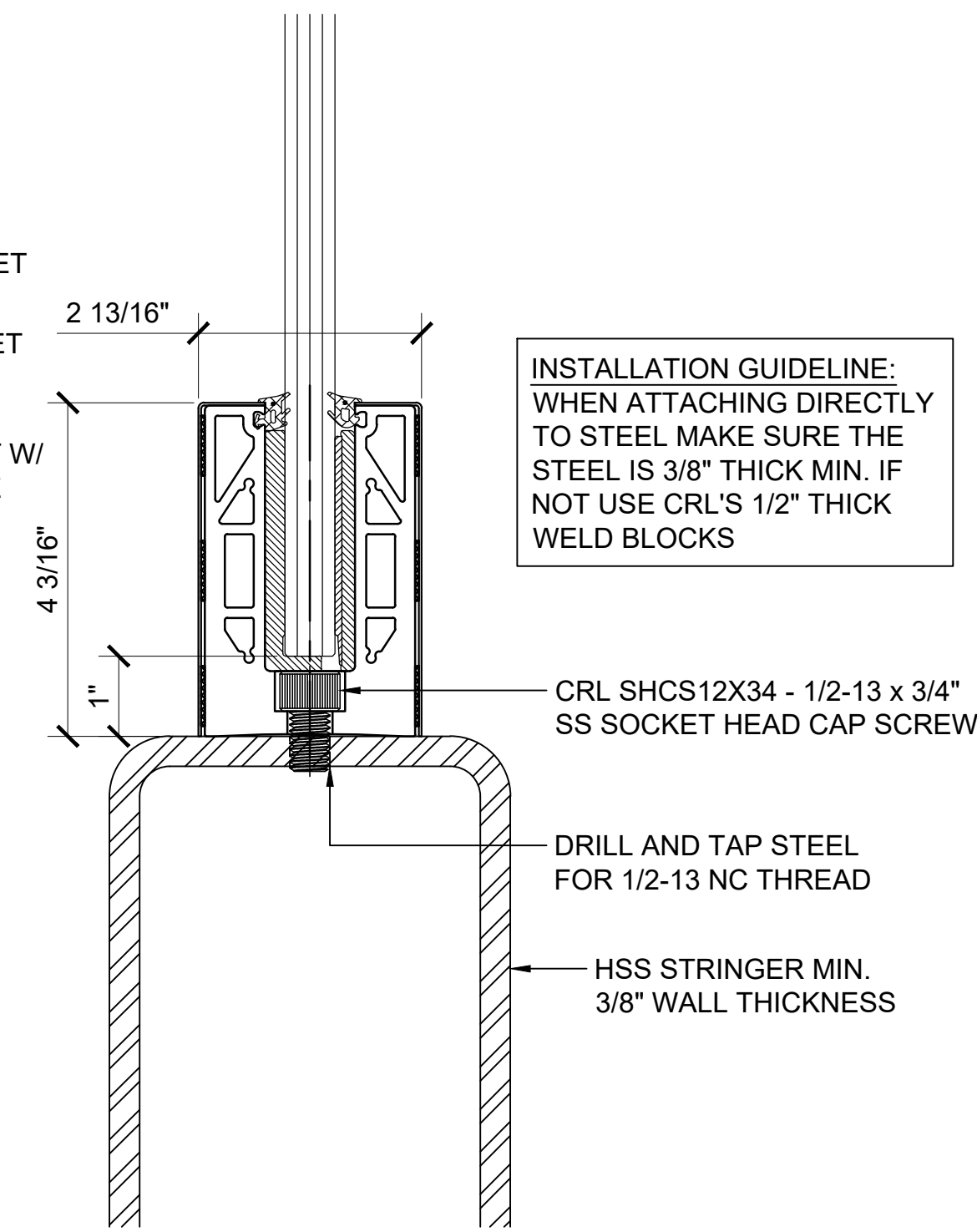
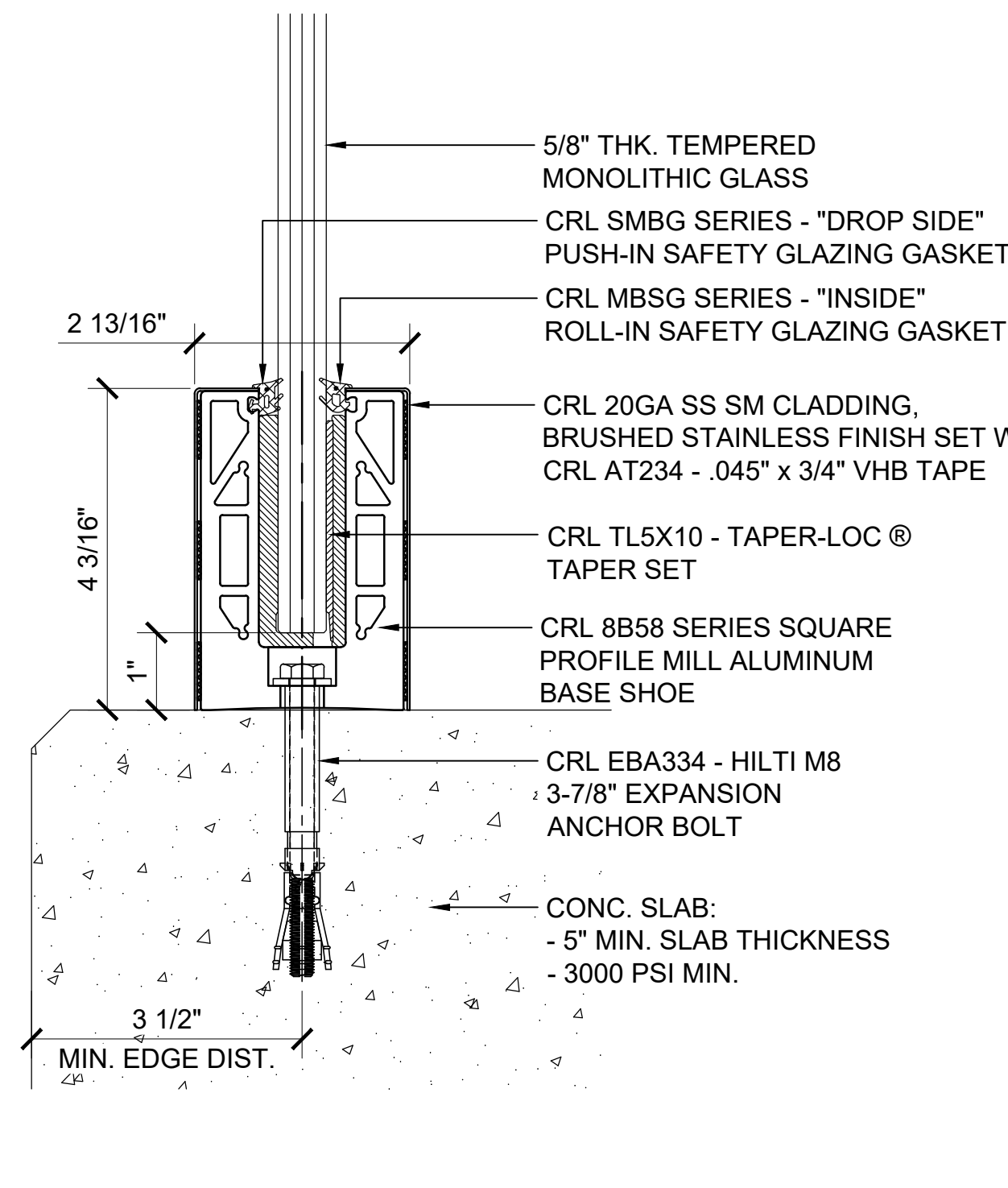


Description:  
GRS GLASS RAILING SYSTEM FOR TEMPERED MONOLITHIC 1/2", 5/8" & 3/4" THK. GLASS

ELEVATIONS AND DETAILS  
SURFACE MOUNT AND FASCIA MOUNT OPTIONS

Drawn By: JG  
Date: 12/15/2015  
Scale: AS NOTED  
File Name: CRL GRS Monolithic Glass Railing System.dwg  
Sheet

TYPICAL BASE SHOE ATTACHMENTS USING THE 8B58 SERIES BASE SHOE WITH TAPER-LOC® SYSTEM



**SURFACE MOUNT DETAIL  
CONCRETE SUBSTRATE**

ANCHOR SPACING WILL DEPEND ON MOUNTING SUBSTRATE AND REGION OF PROJECT

**SURFACE MOUNT DETAIL  
STEEL SUBSTRATE**

12" ON CENTER ANCHOR SPACING

**SURFACE MOUNT DETAIL  
STEEL SUBSTRATE W/ WELD BLOCK**

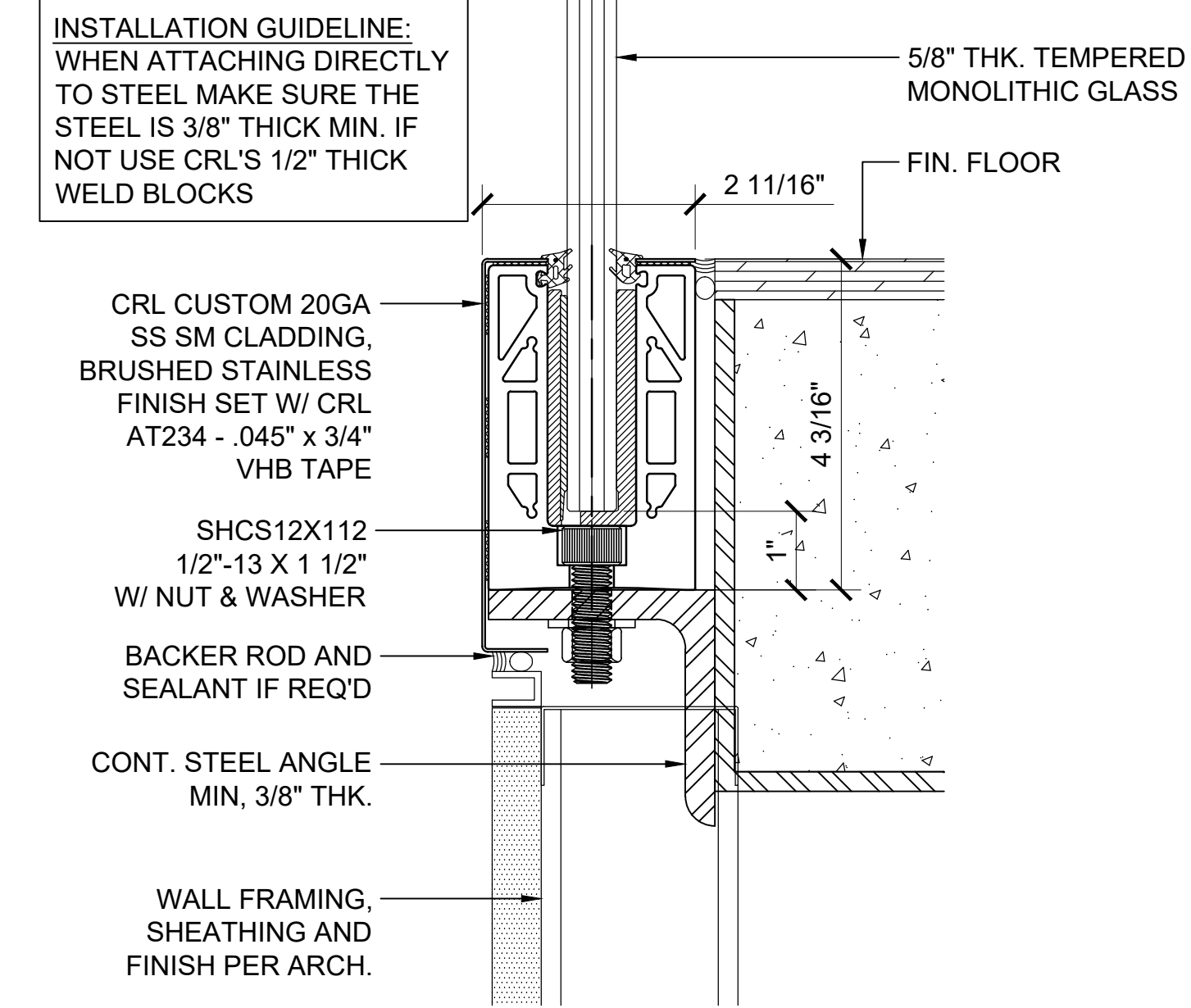
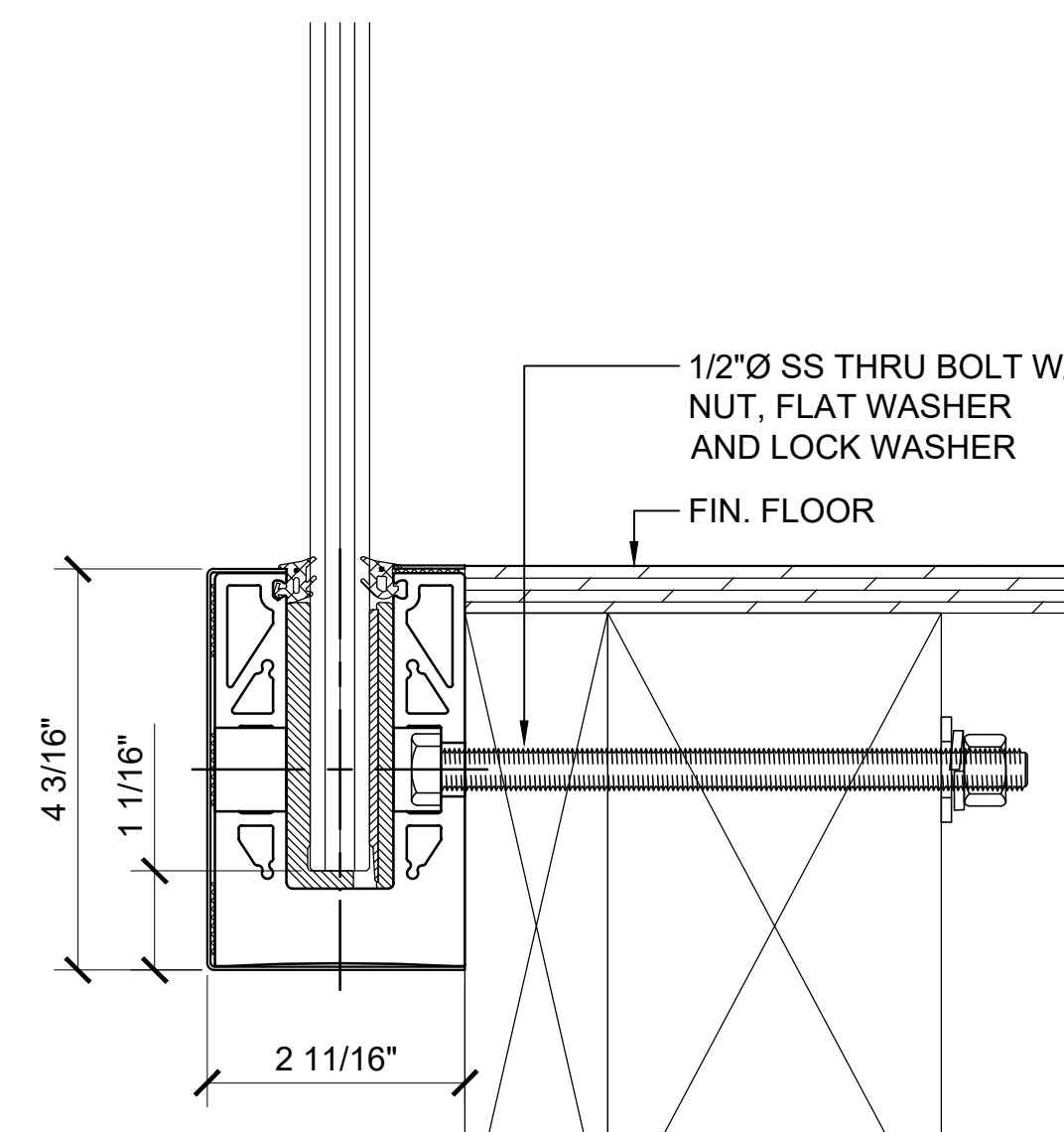
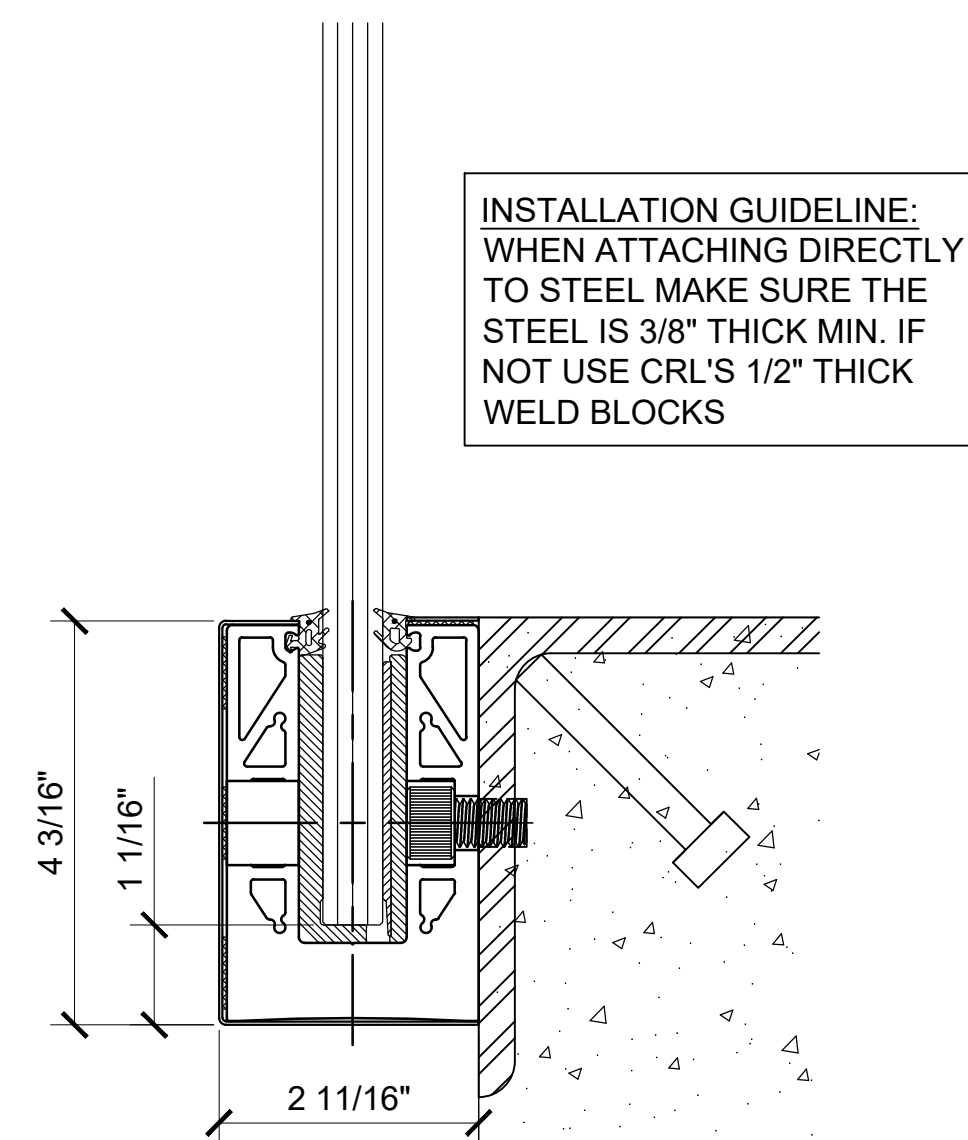
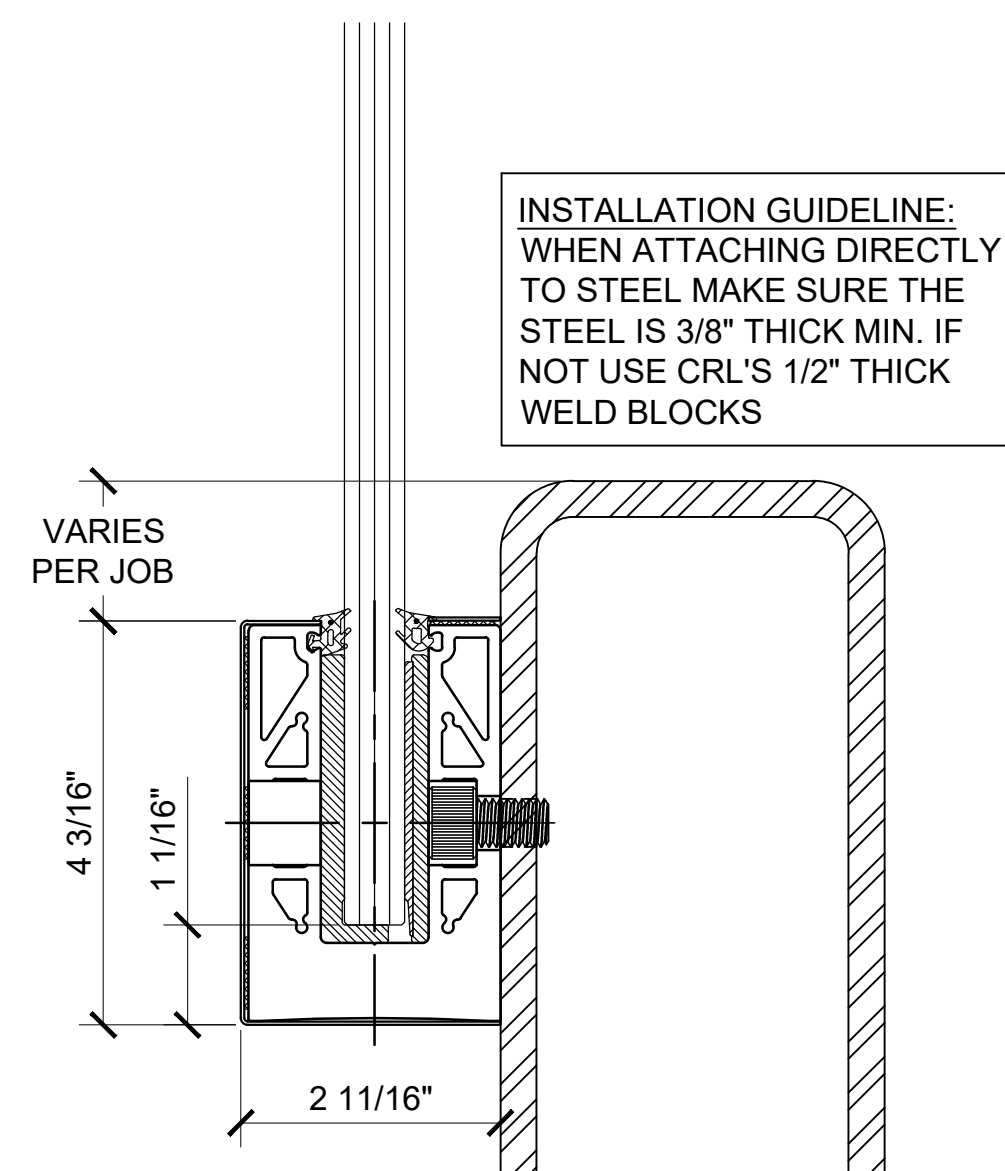
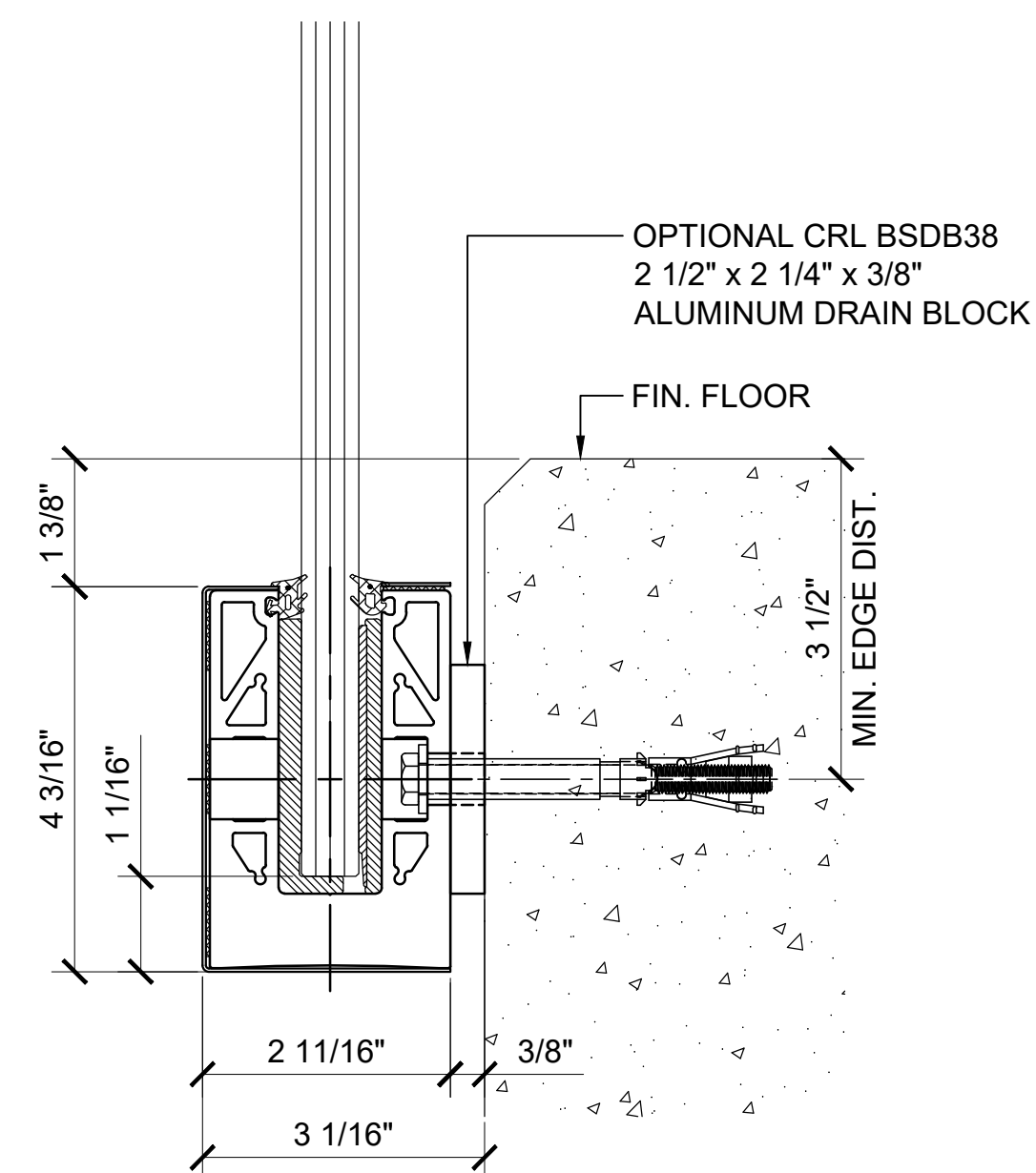
12" ON CENTER ANCHOR SPACING

**SURFACE MOUNT DETAIL  
WOOD SUBSTRATE**

12" ON CENTER ANCHOR SPACING

**SURFACE MOUNT DETAIL  
CONCRETE SUBSTRATE W/ DRAIN BLOCK**

ANCHOR SPACING WILL DEPEND ON MOUNTING SUBSTRATE AND REGION OF PROJECT



**FASCIA MOUNT DETAIL  
CONCRETE SUBSTRATE**

ANCHOR SPACING WILL DEPEND ON MOUNTING SUBSTRATE AND REGION OF PROJECT

**FASCIA MOUNT DETAIL  
STEEL SUBSTRATE**

12" ON CENTER ANCHOR SPACING

**FASCIA MOUNT DETAIL  
STEEL SUBSTRATE**

12" ON CENTER ANCHOR SPACING

**FASCIA MOUNT DETAIL  
WOOD SUBSTRATE**

ANCHOR SPACING WILL DEPEND ON MOUNTING SUBSTRATE AND REGION OF PROJECT

**SURFACE MOUNT DETAIL  
STEEL SUBSTRATE W/ CUSTOM CLADDING**

12" ON CENTER ANCHOR SPACING

Revisions By:

5	-	-
4	06/28/21	AB
3	06/05/18	VM
2	08/12/16	JG
1	02/08/16	JG

**CRL**

2503 E. Vernon Avenue, Los Angeles, CA 90058-1897  
PH (800)-421-6144 FX (800)-587-7501 www.crlaurence.com

ICC ESR-3269

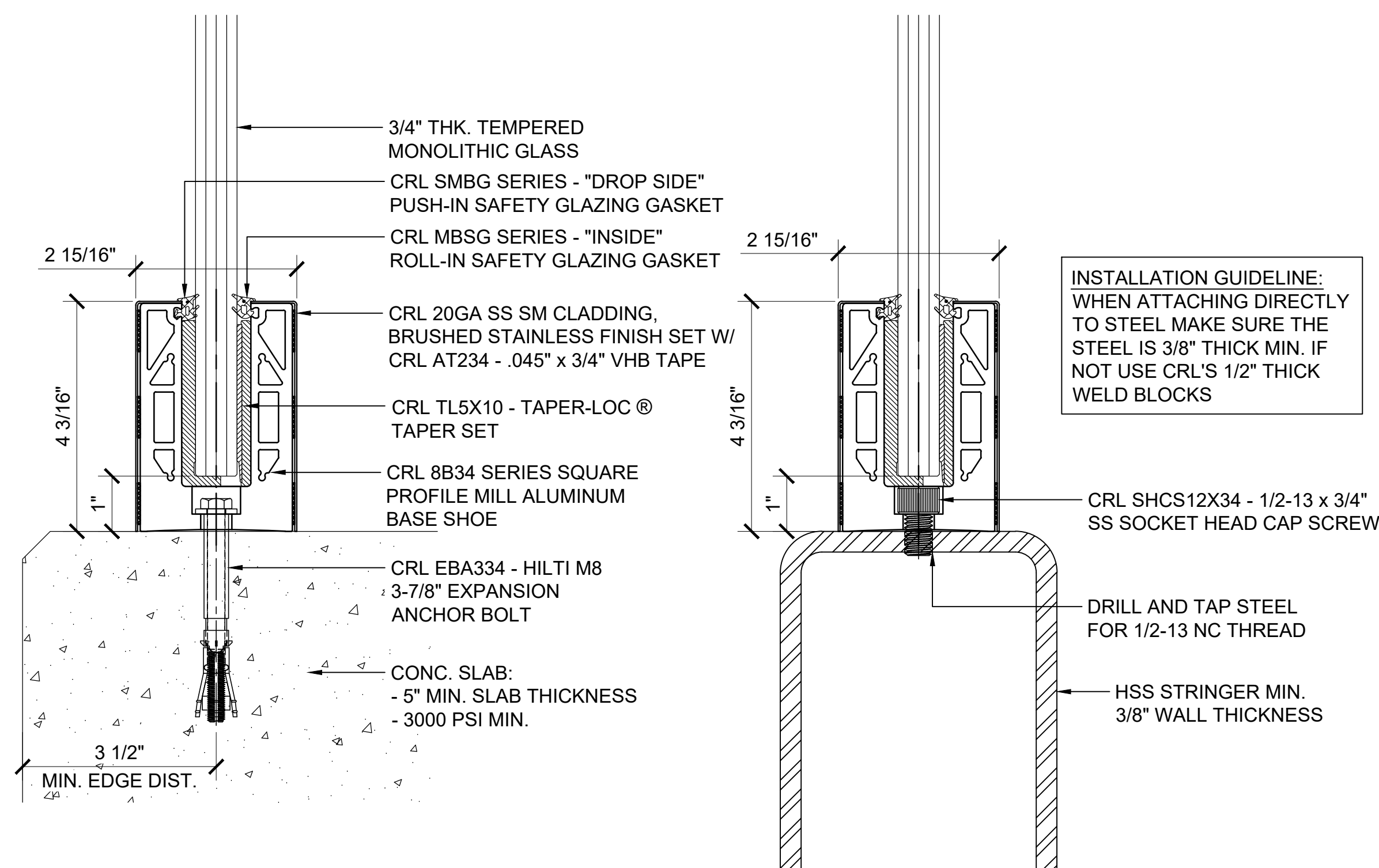
Description:  
GRS  
GLASS RAILING SYSTEM  
FOR TEMPERED MONOLITHIC  
1/2", 5/8" & 3/4" THK. GLASS

ELEVATIONS AND DETAILS  
SURFACE MOUNT AND  
FASCIA MOUNT OPTIONS

Drawn By: JG  
Date: 12/15/2015  
Scale: AS NOTED  
File Name:  
CRL GRS Monolithic Glass Railing System.dwg

Sheet

TYPICAL BASE SHOE ATTACHMENTS USING THE 8B34 SERIES BASE SHOE WITH TAPER-LOC® SYSTEM



**SURFACE MOUNT DETAIL  
CONCRETE SUBSTRATE**

ANCHOR SPACING WILL DEPEND ON MOUNTING SUBSTRATE AND REGION OF PROJECT

**SURFACE MOUNT DETAIL  
STEEL SUBSTRATE**

12" ON CENTER ANCHOR SPACING

**SURFACE MOUNT DETAIL  
STEEL SUBSTRATE W/ WELD BLOCK**

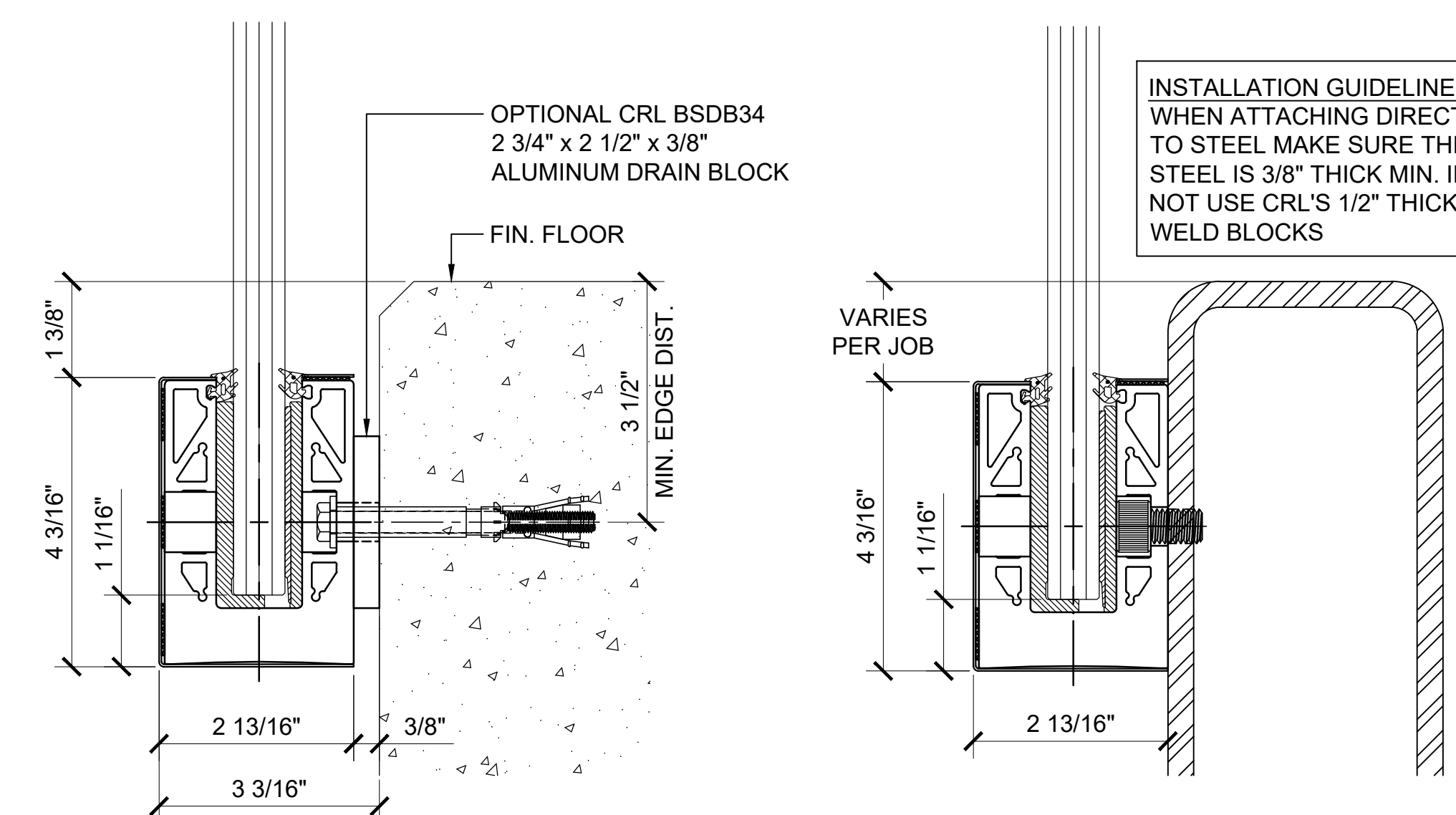
12" ON CENTER ANCHOR SPACING

**SURFACE MOUNT DETAIL  
WOOD SUBSTRATE**

12" ON CENTER ANCHOR SPACING

**SURFACE MOUNT DETAIL  
CONCRETE SUBSTRATE W/ DRAIN BLOCK**

ANCHOR SPACING WILL DEPEND ON MOUNTING SUBSTRATE AND REGION OF PROJECT

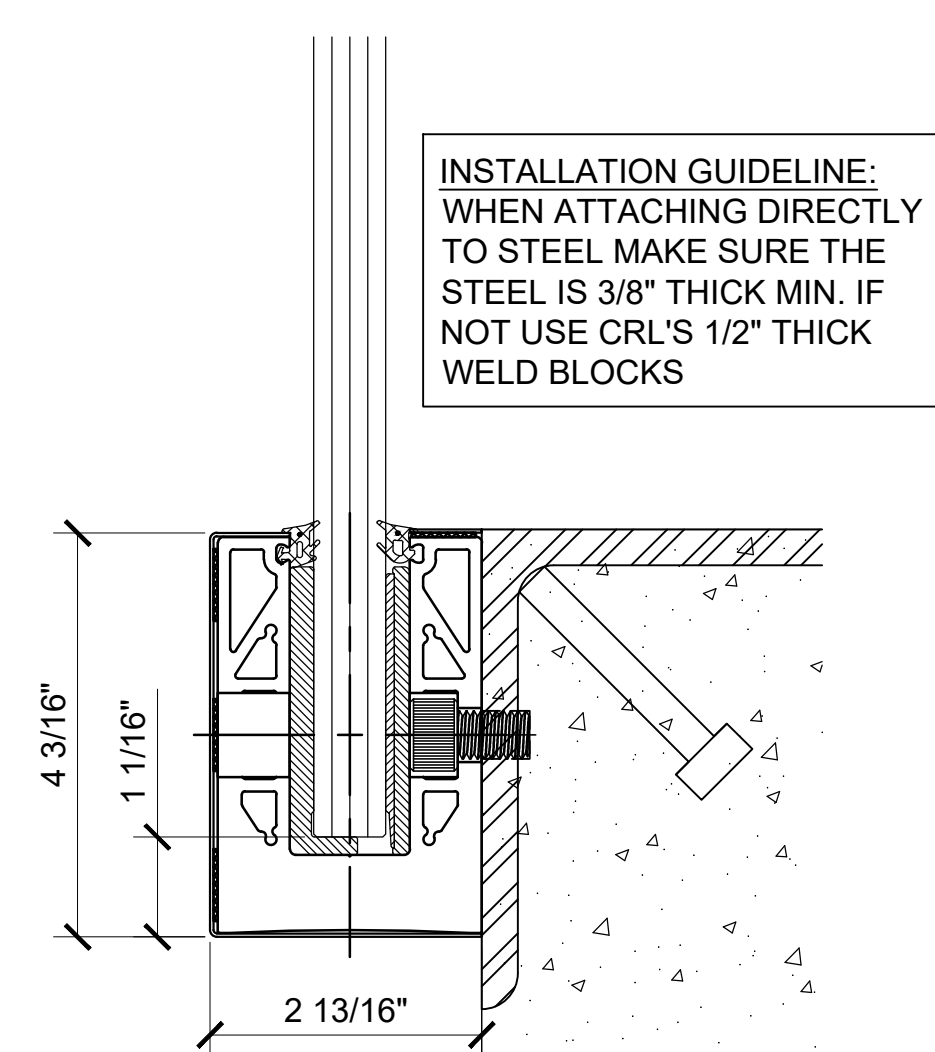


**FASCIA MOUNT DETAIL  
CONCRETE SUBSTRATE**

ANCHOR SPACING WILL DEPEND ON MOUNTING SUBSTRATE AND REGION OF PROJECT

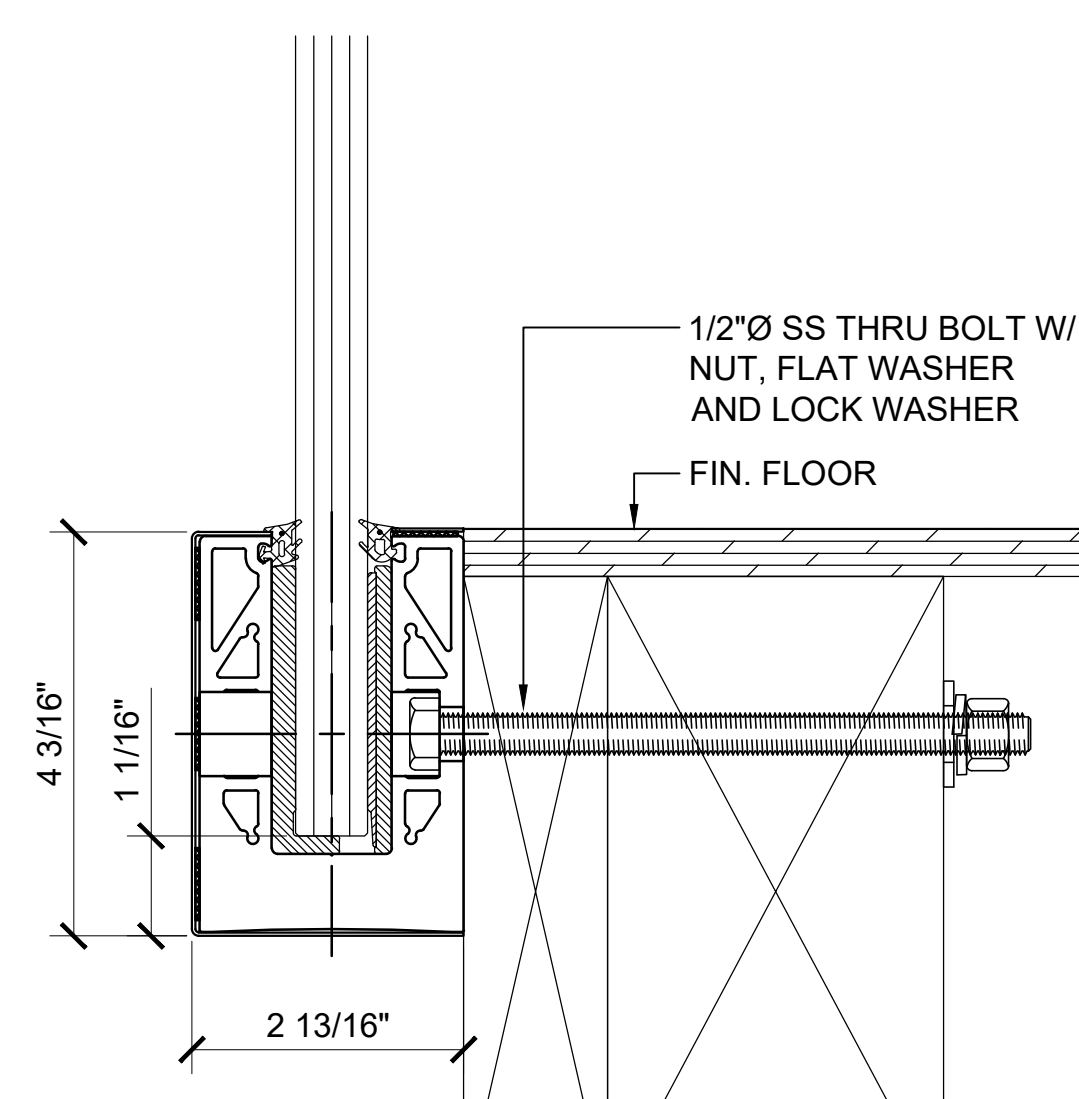
**FASCIA MOUNT DETAIL  
STEEL SUBSTRATE**

12" ON CENTER ANCHOR SPACING



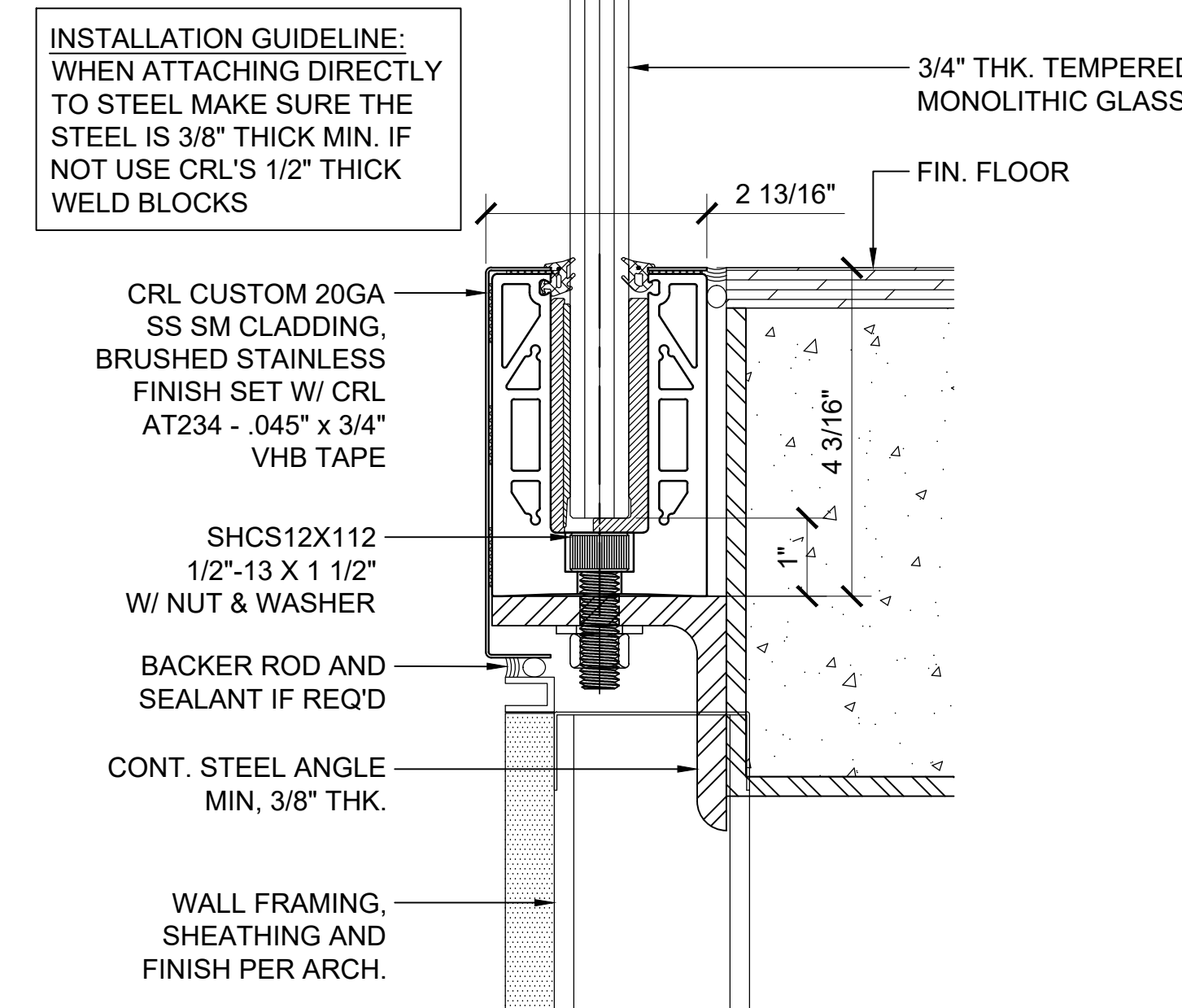
**FASCIA MOUNT DETAIL  
STEEL SUBSTRATE**

12" ON CENTER ANCHOR SPACING



**FASCIA MOUNT DETAIL  
WOOD SUBSTRATE**

ANCHOR SPACING WILL DEPEND ON MOUNTING SUBSTRATE AND REGION OF PROJECT



**SURFACE MOUNT DETAIL  
STEEL SUBSTRATE W/ CUSTOM CLADDING**

12" ON CENTER ANCHOR SPACING

INSTALLATION GUIDELINE:  
DURING THE INSTALLATION  
PROCESS MAKE SURE A  
CERTIFIED WELDER APPLIES  
A 1/4" CONTINUOUS FILLET  
WELD ON TWO SIDES OF THE  
WELD BLOCK

INSTALLATION GUIDELINE:  
WHEN ATTACHING DIRECTLY  
TO STEEL MAKE SURE THE  
STEEL IS 3/8" THICK MIN. IF  
NOT USE CRL'S 1/2" THICK  
WELD BLOCKS

INSTALLATION GUIDELINE:  
WHEN ATTACHING DIRECTLY  
TO STEEL MAKE SURE THE  
STEEL IS 3/8" THICK MIN. IF  
NOT USE CRL'S 1/2" THICK  
WELD BLOCKS

INSTALLATION GUIDELINE:  
WHEN ATTACHING DIRECTLY  
TO STEEL MAKE SURE THE  
STEEL IS 3/8" THICK MIN. IF  
NOT USE CRL'S 1/2" THICK  
WELD BLOCKS

INSTALLATION GUIDELINE:  
WHEN ATTACHING DIRECTLY  
TO STEEL MAKE SURE THE  
STEEL IS 3/8" THICK MIN. IF  
NOT USE CRL'S 1/2" THICK  
WELD BLOCKS

INSTALLATION GUIDELINE:  
WHEN ATTACHING DIRECTLY  
TO STEEL MAKE SURE THE  
STEEL IS 3/8" THICK MIN. IF  
NOT USE CRL'S 1/2" THICK  
WELD BLOCKS

Revisions By:		
5	-	-
4	06/28/21	AB
3	06/05/18	VM
2	08/12/16	JG
1	02/08/16	JG

**CRL**

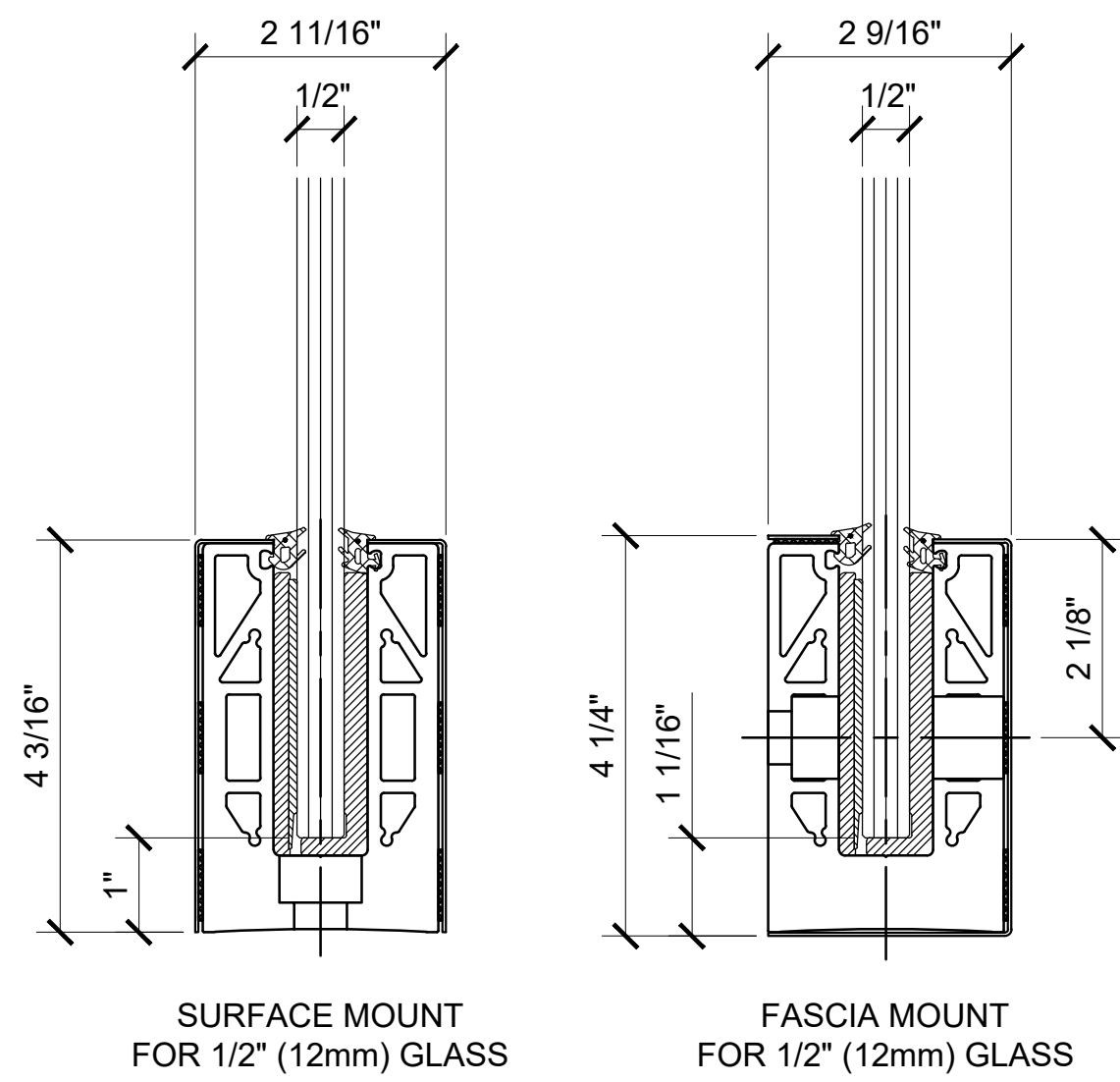
2503 E. Vernon Avenue, Los Angeles, CA 90058-1897  
PH (800)-421-6144 FX: 800-567-7501 www.crlaurence.com

ICC ESR-3269

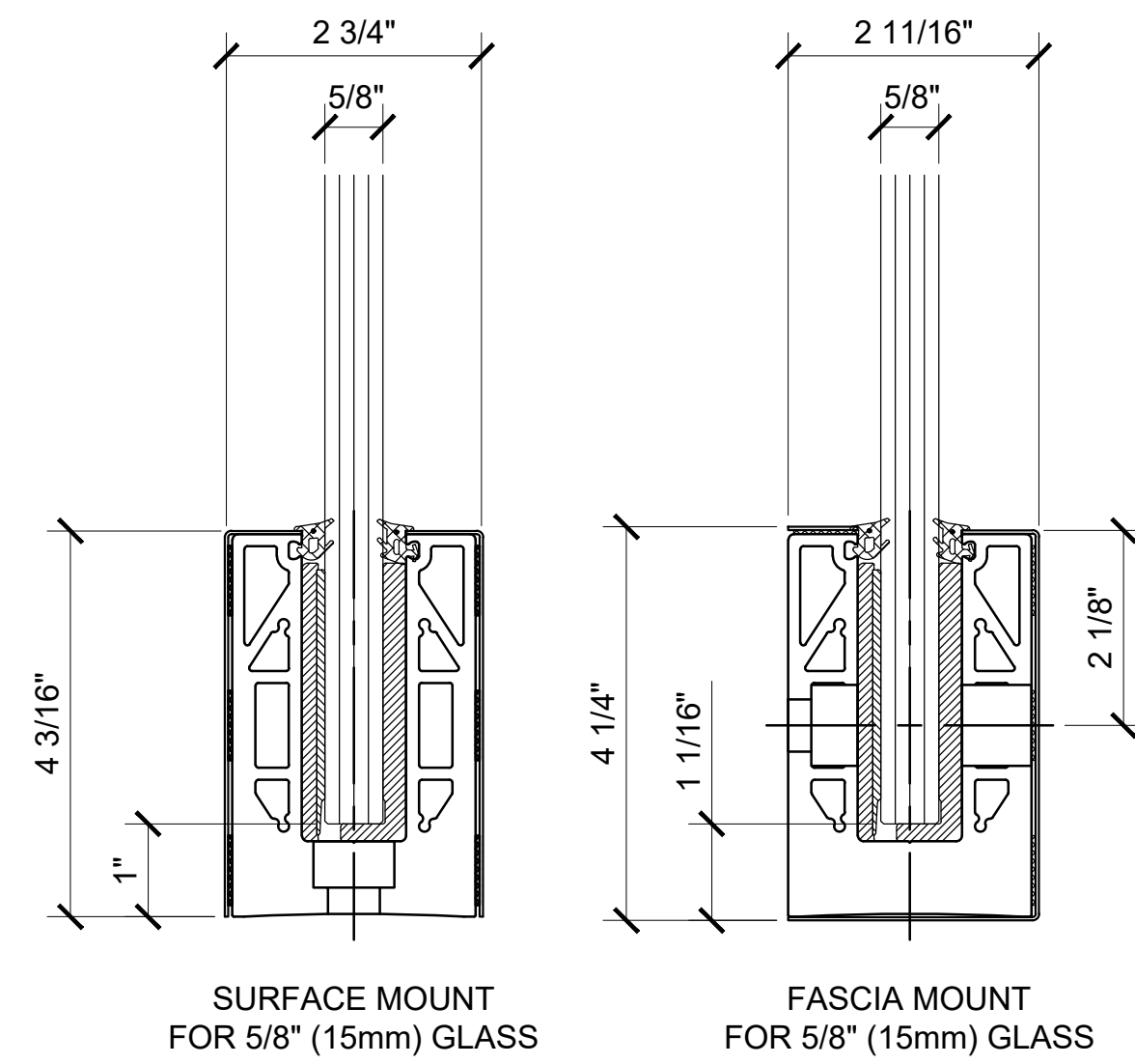
Description:  
GRS  
GLASS RAILING SYSTEM  
FOR TEMPERED MONOLITHIC  
1/2", 5/8" & 3/4" THK. GLASS

ELEVATIONS AND DETAILS  
SURFACE MOUNT AND  
FASCIA MOUNT OPTIONS

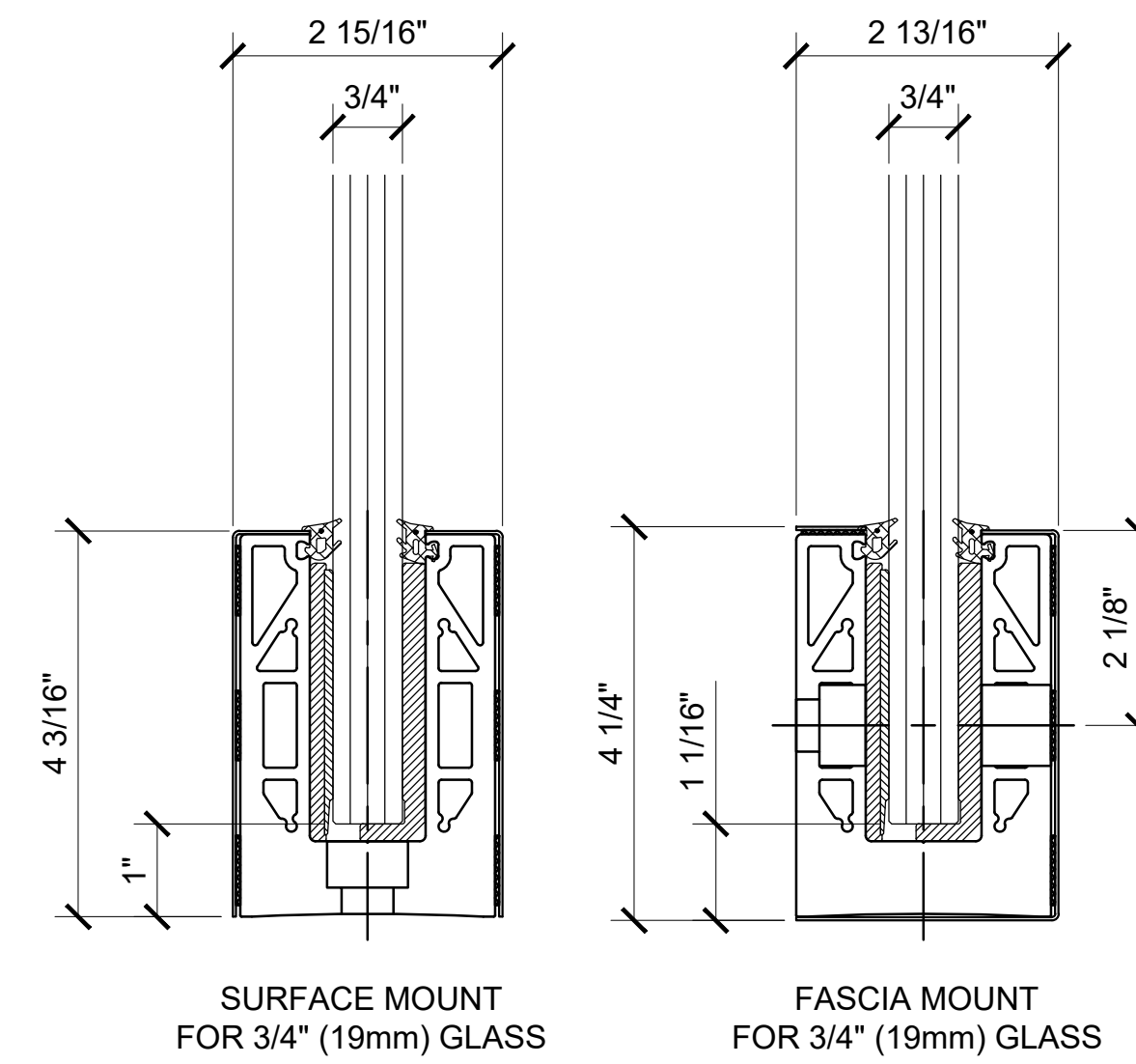
Drawn By: JG  
Date: 12/15/2015  
Scale: AS NOTED  
File Name:  
CRL GRS Monolithic Glass Railing System.dwg



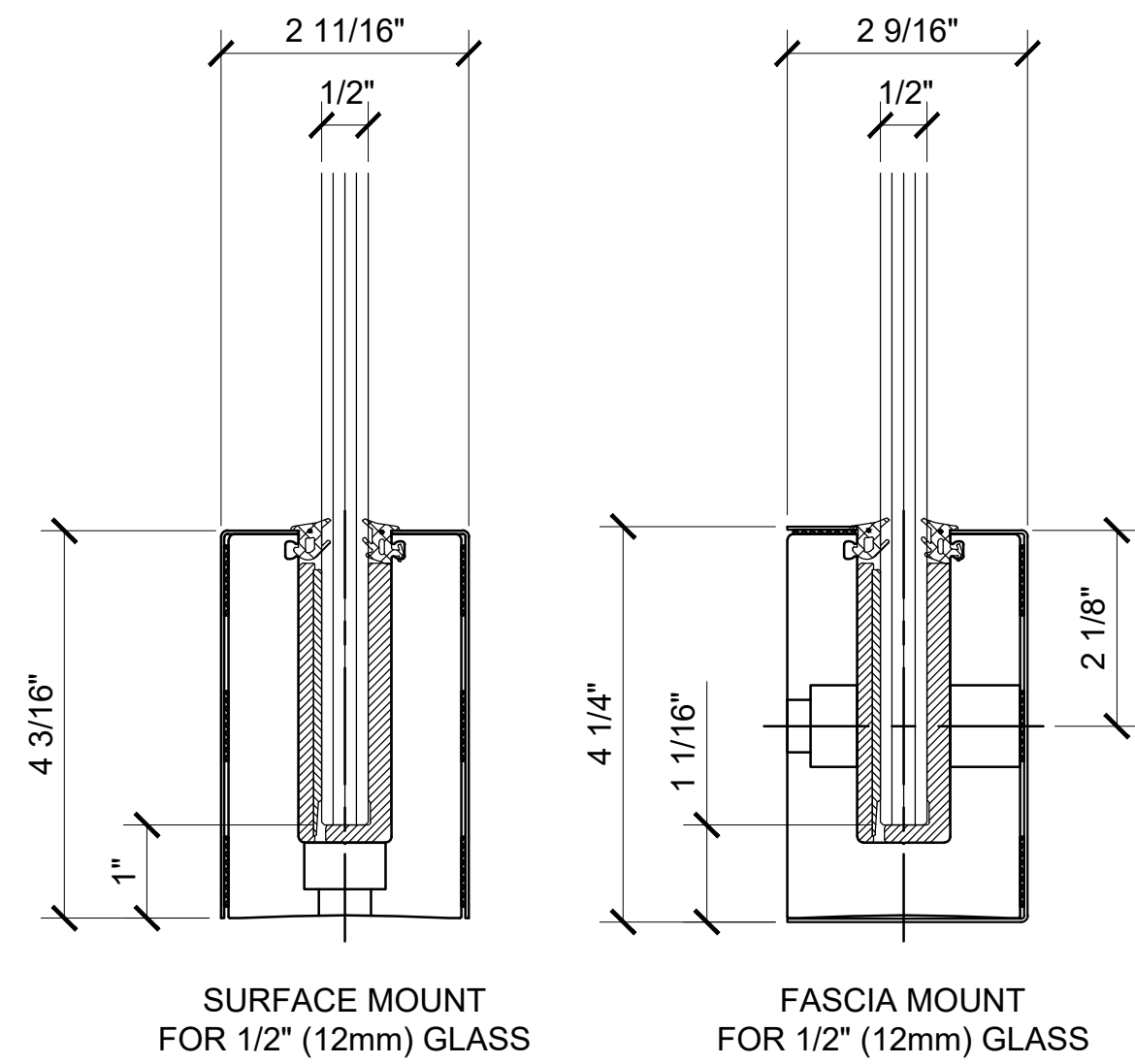
**8B SERIES BASE SHOE**



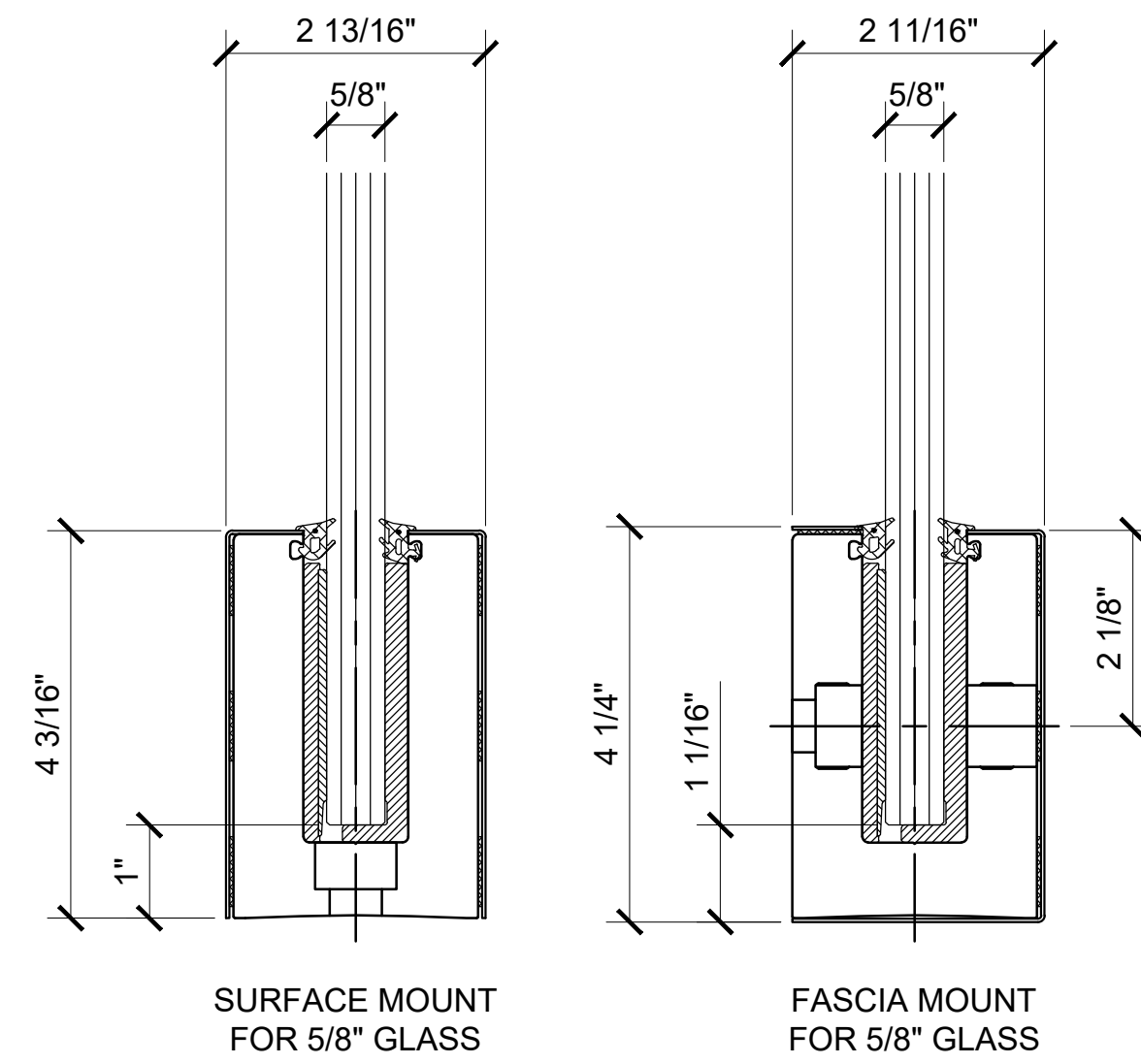
**8B58 SERIES BASE SHOE**



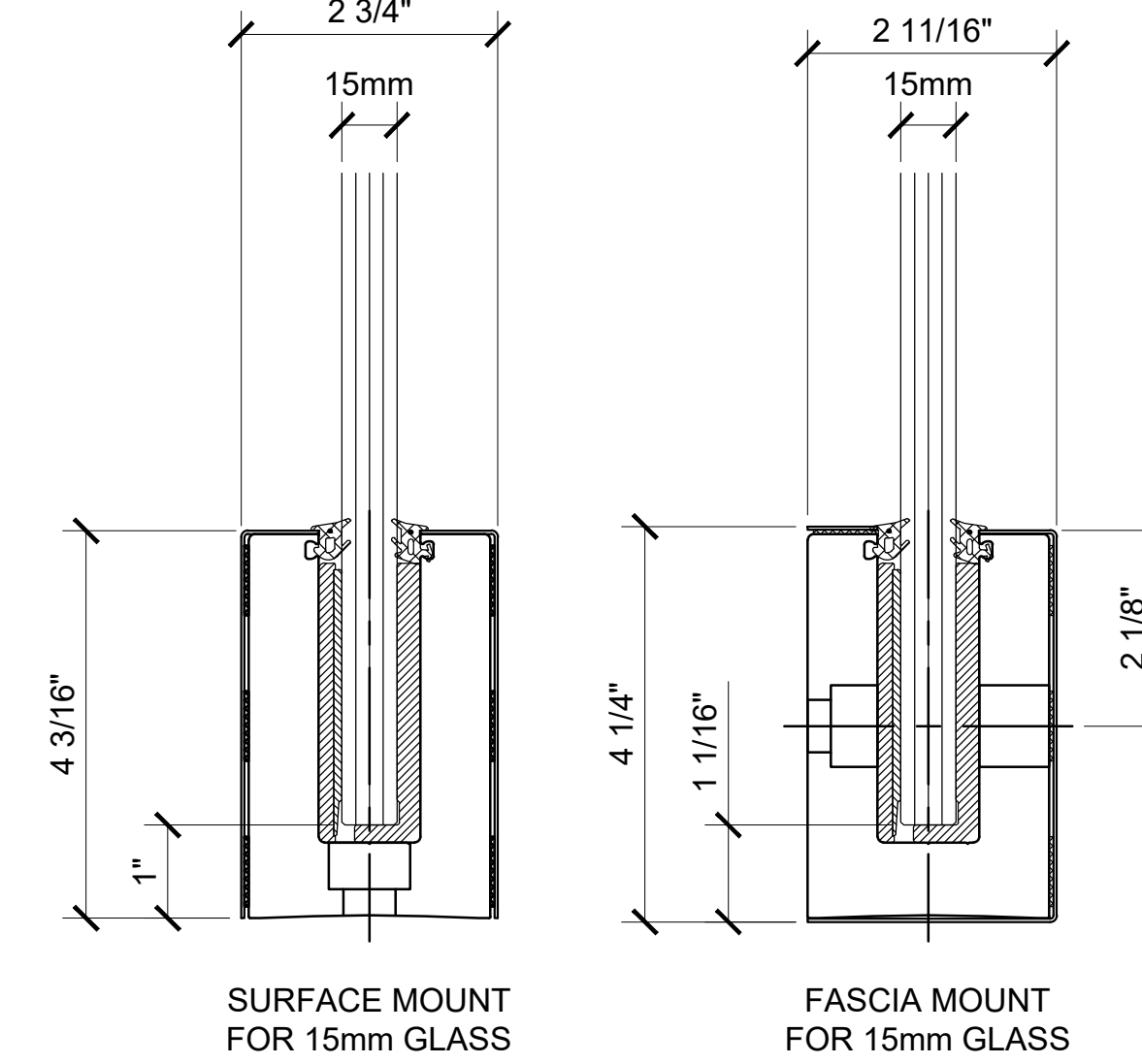
**8B34 SERIES BASE SHOE**



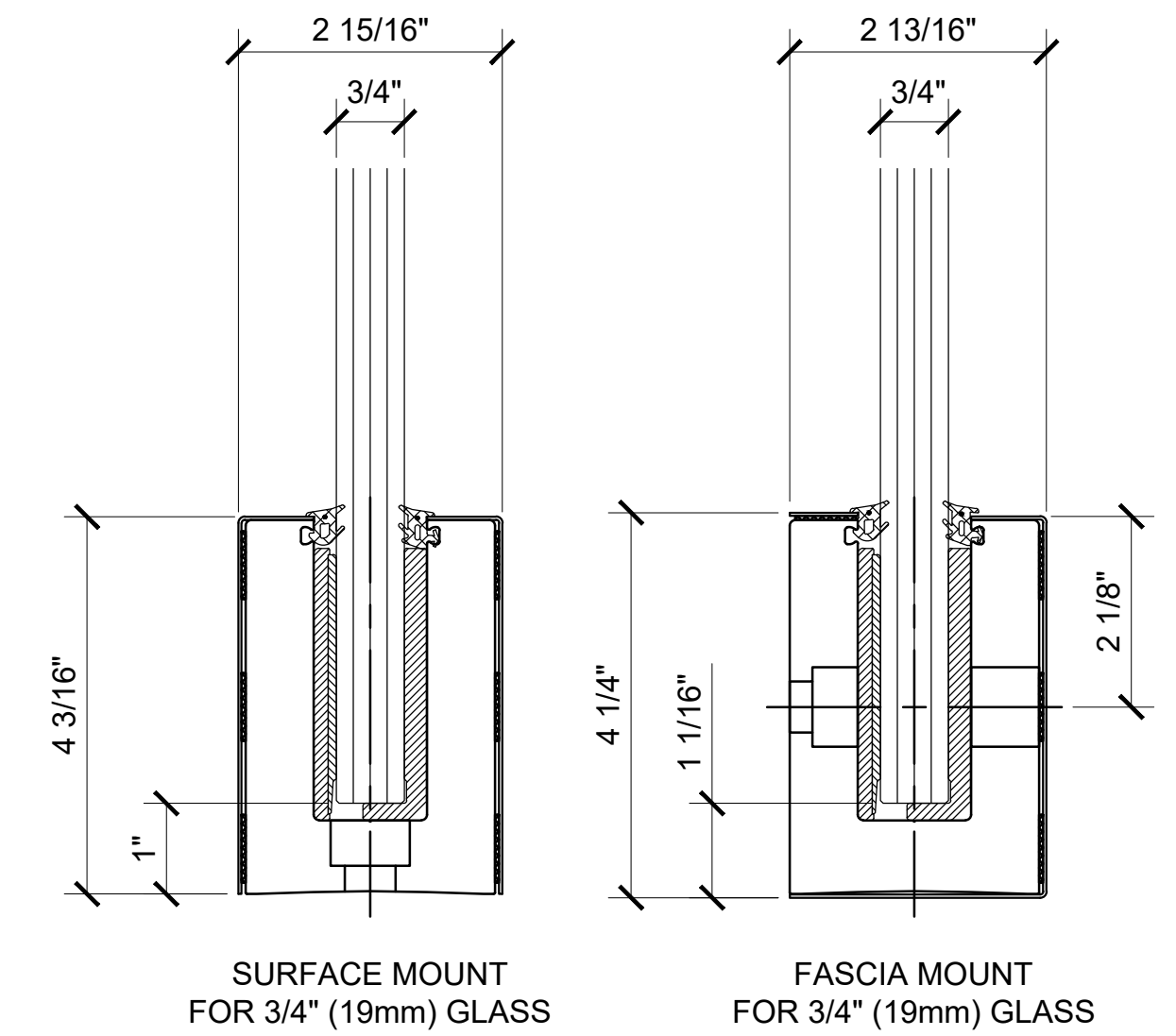
**B5S SERIES BASE SHOE**



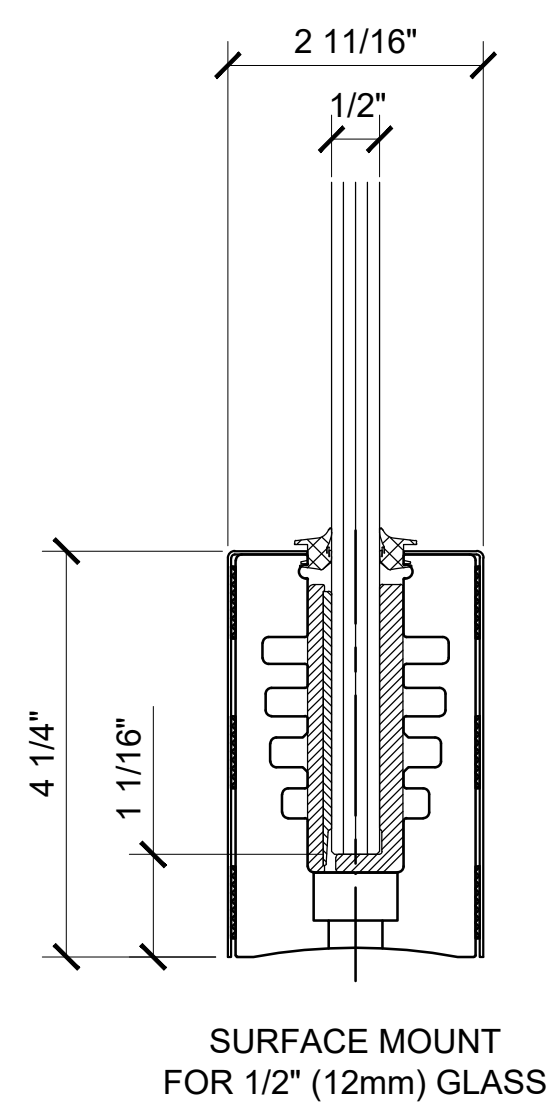
**B6N SERIES BASE SHOE**



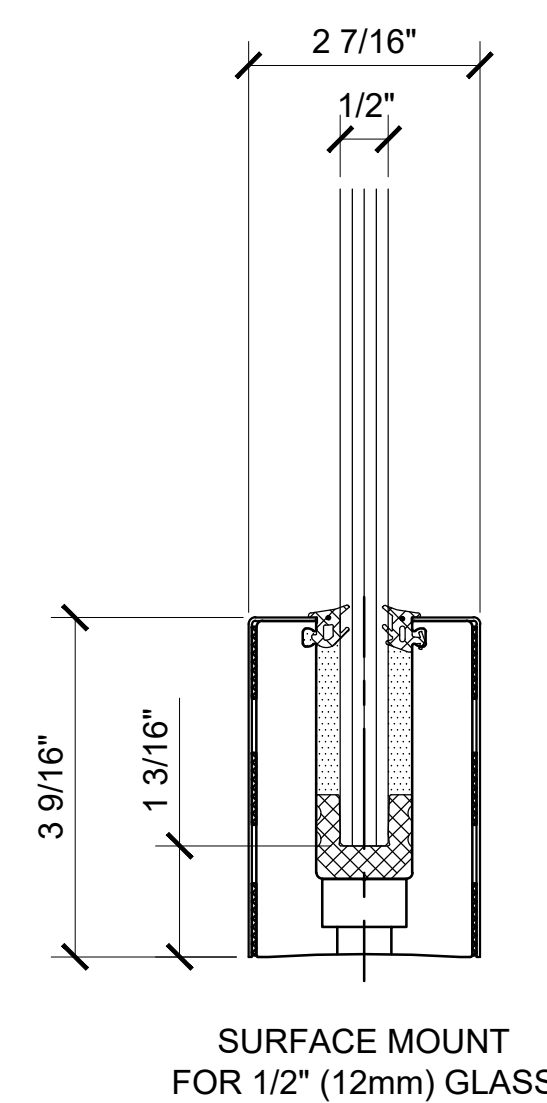
**B6S SERIES BASE SHOE**



**B7S SERIES BASE SHOE**

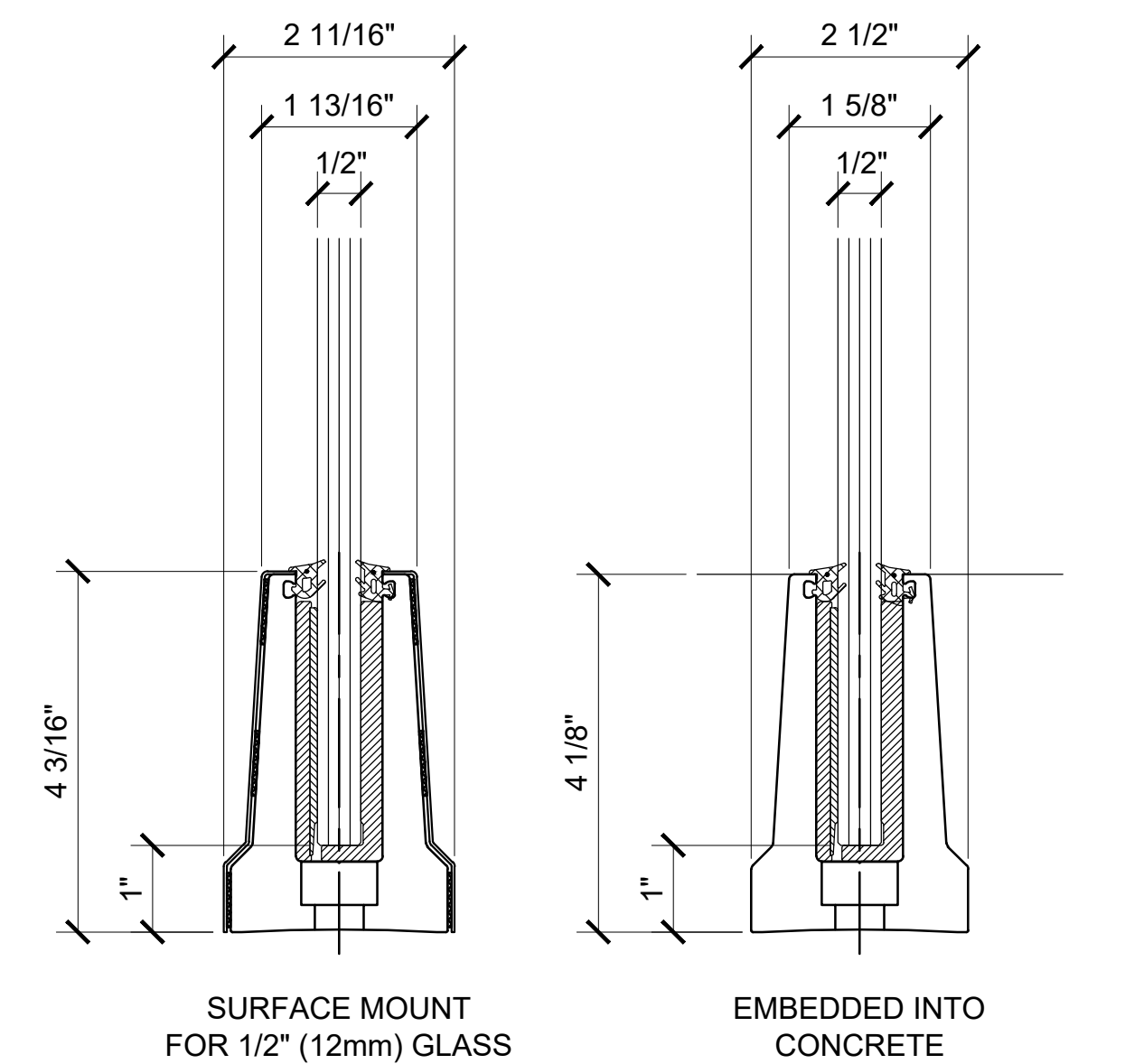


**B5A SERIES BASE SHOE**



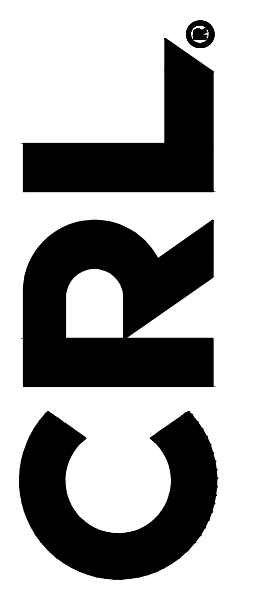
**B5L SERIES BASE SHOE**

\*NOTE: B5L BASE SHOE CANNOT BE USED W/ TAPER-LOC ®.

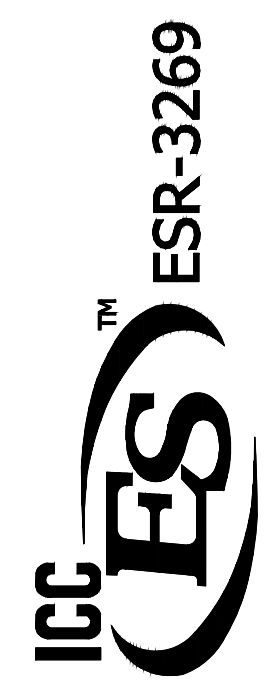


**B5T SERIES BASE SHOE**

Revisions By:		
5	-	-
4	06/28/21	AB
3	06/05/18	VM
2	08/12/16	JG
1	02/08/16	JG



2503 E. Vernon Avenue, Los Angeles, CA 90058-1897  
PH (800)-421-6144 FX: 800-567-7501 www.crlaurence.com



Description:  
**GRS**  
**GLASS RAILING SYSTEM**  
**FOR TEMPERED MONOLITHIC**  
**1/2", 5/8" & 3/4" THK. GLASS**

**BASE SHOE OPTIONS**  
**SURFACE & FASCIA MOUNT**

Drawn By: JG  
Date: 12/15/2015  
Scale: AS NOTED  
File Name:

CRL GRS Monolithic Glass Railing System.dwg

Sheet

Revisions By:

5	-	-
4	06/28/21	AB
3	06/05/18	VM
2	08/12/16	JG
1	02/08/16	JG

**CRL**

2503 E. Vernon Avenue, Los Angeles, CA 90058-1897  
PH (800)-421-6144 FX: 800-567-7501 www.crlinc.com

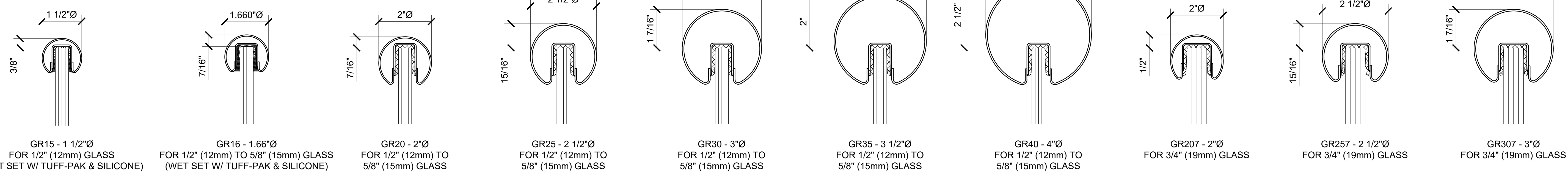
ICC **ES** ESR-3269

Description:  
GRS  
GLASS RAILING SYSTEM  
FOR TEMPERED MONOLITHIC  
1/2", 5/8" & 3/4" THK. GLASS

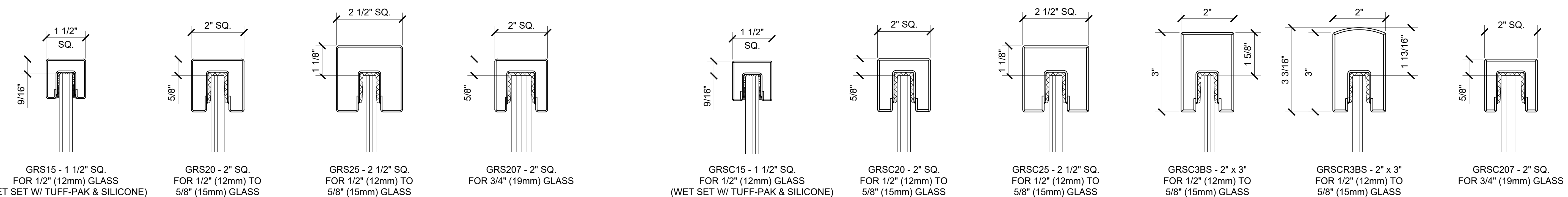
CAP RAIL OPTIONS

Drawn By: JG  
Date: 12/15/2015  
Scale: AS NOTED  
File Name:  
CRL GRS Monolithic Glass Railing System.dwg

Sheet

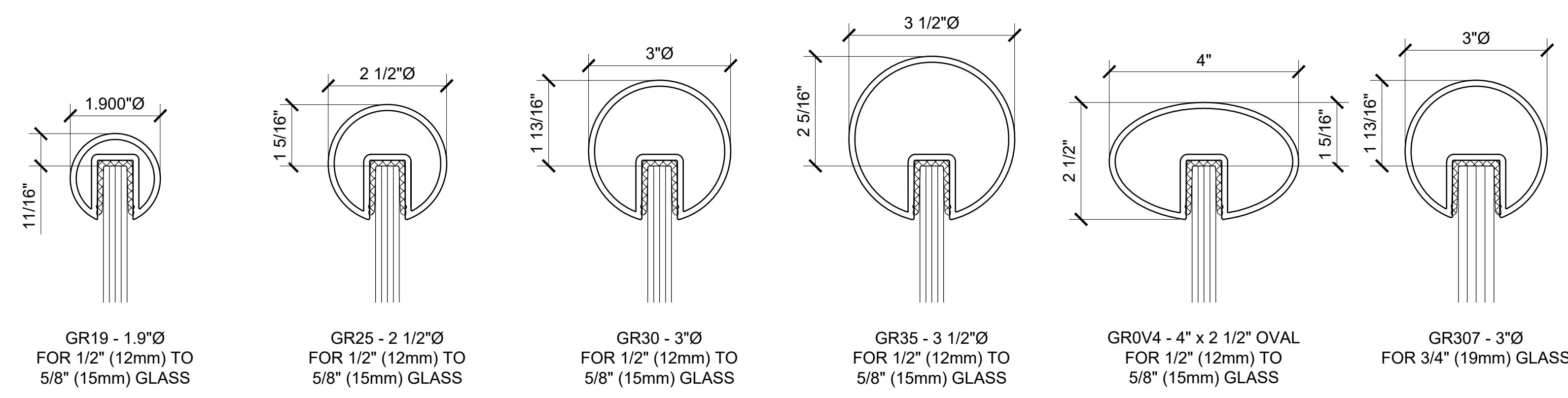


**BUMP-FORMED & WELDED PREMIUM RADIUS PROFILE CAP RAIL**

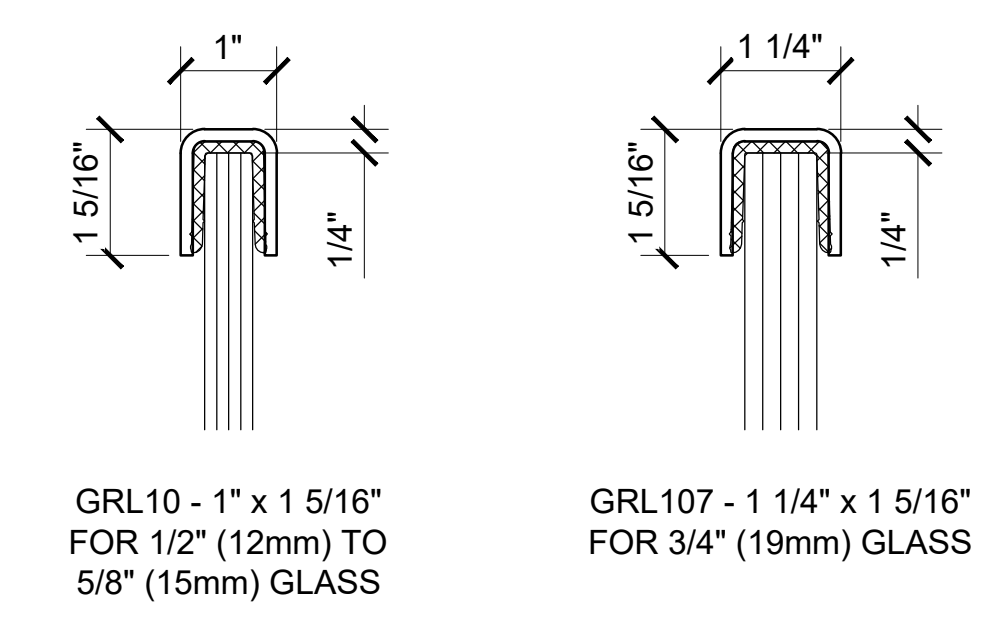


**BUMP-FORMED & WELDED PREMIUM SQUARE PROFILE CAP RAIL**

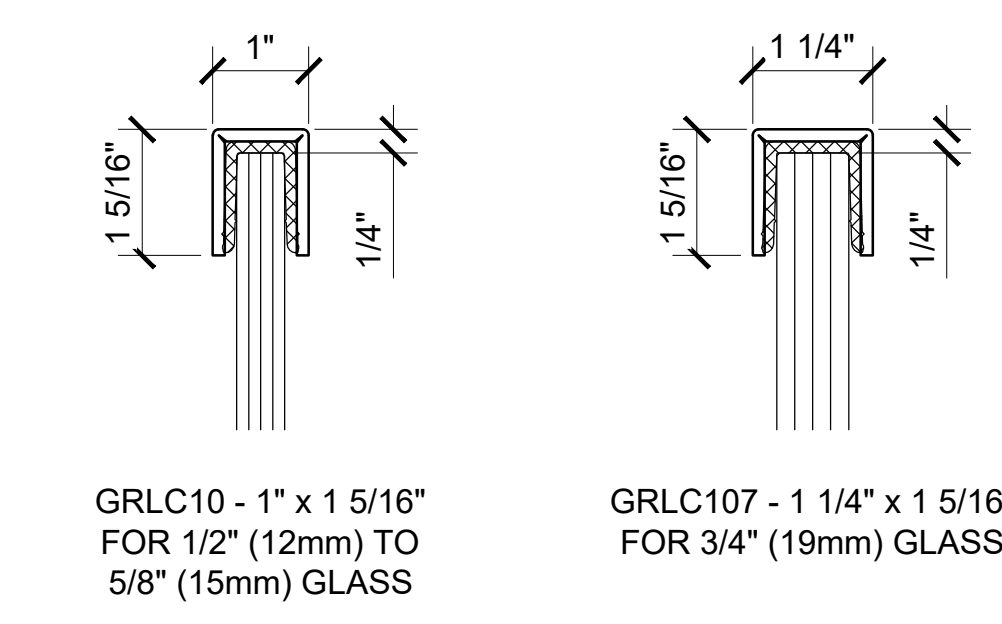
**SQUARE PROFILE CRISP CORNER CAP RAIL**



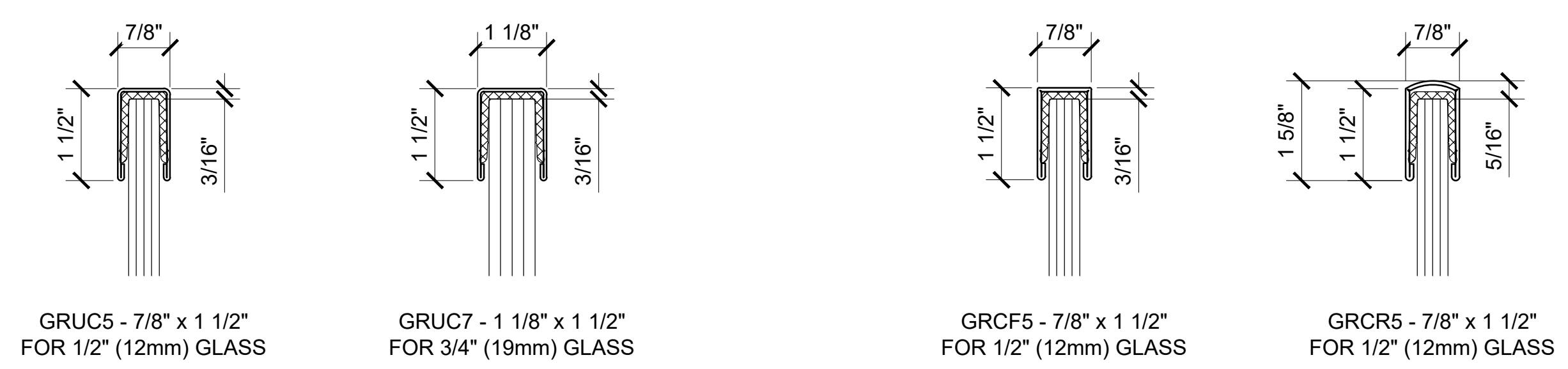
**EXTRUDED ALUMINUM CAP RAIL**



**LOW PROFILE 11 GAUGE CAP RAIL**

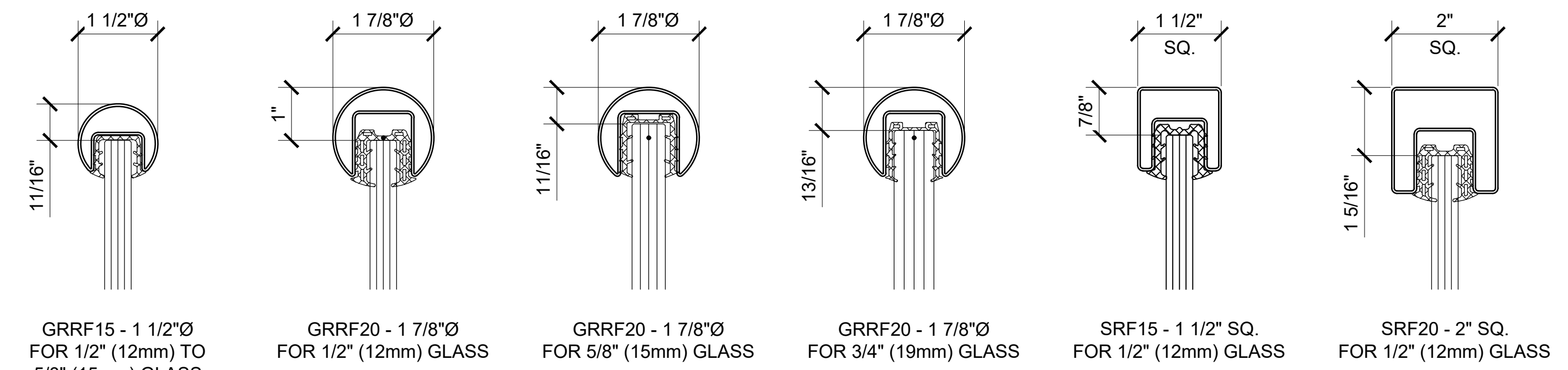


**LOW PROFILE 11 GAUGE CRISP CORNER CAP RAIL**

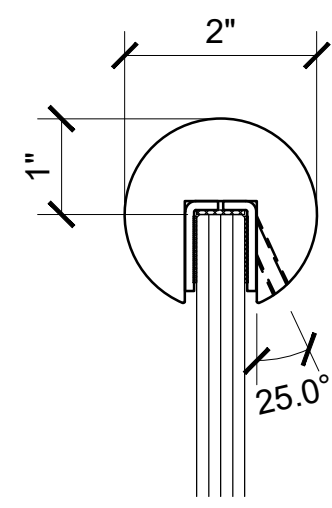


**U-CHANNEL 18 GAUGE CAP RAIL**

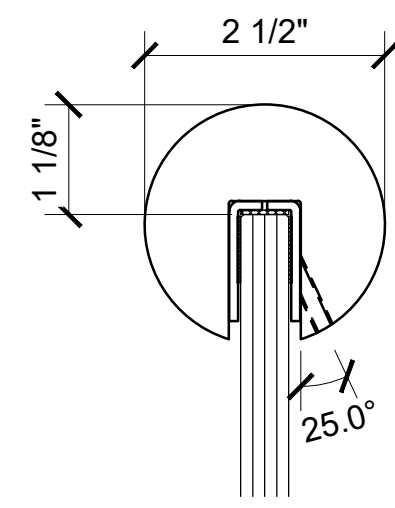
**U-CHANNEL 18 GAUGE CRISP CORNER CAP RAIL**



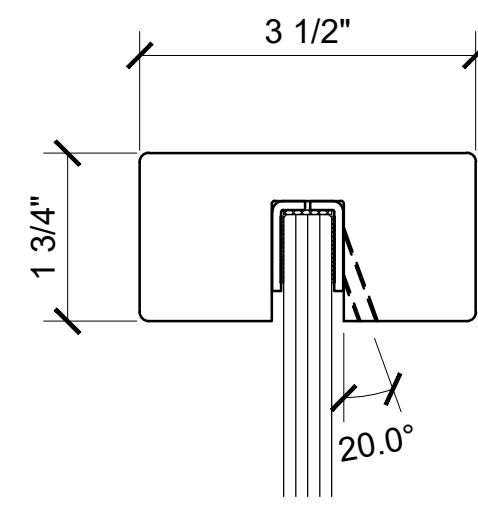
**ROLL-FORMED CAP RAIL**



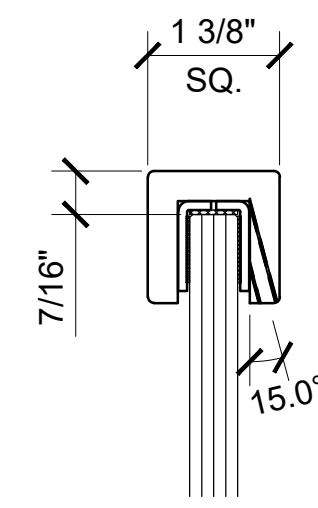
337 SERIES - 2"Ø  
FOR 1/2" (12mm)



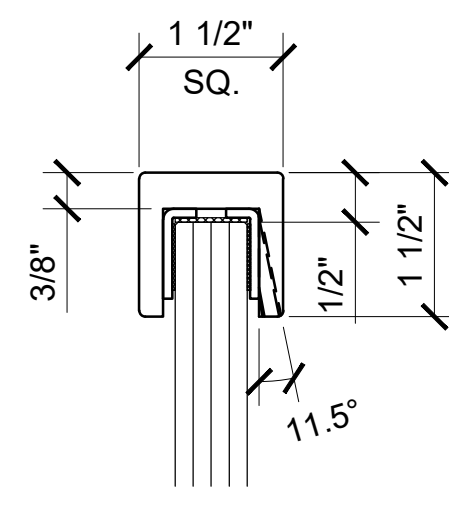
338 SERIES - 2 1/2"Ø  
FOR 1/2" (12mm)



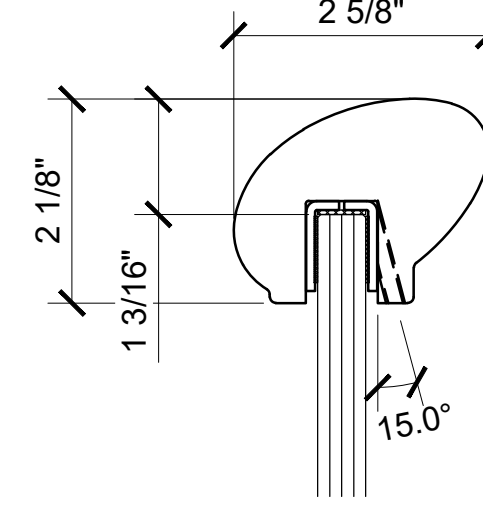
339 SERIES - 3 1/2" x 1 3/4"  
FOR 1/2" (12mm)



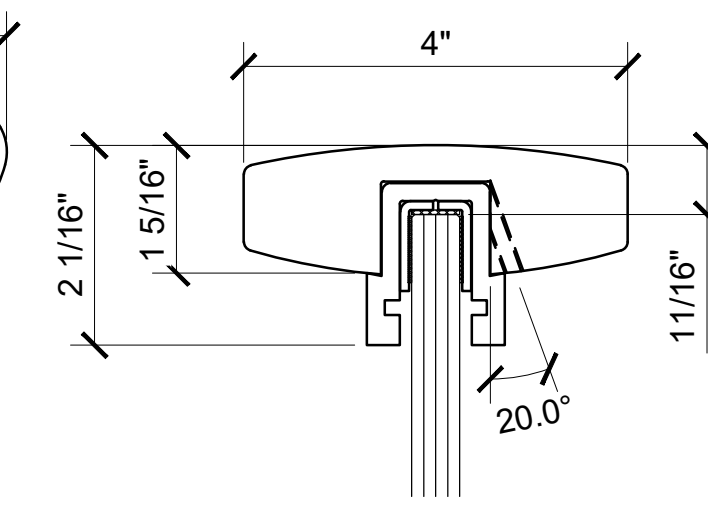
324 SERIES - 1 3/8" SQ.  
FOR 1/2" (12mm)



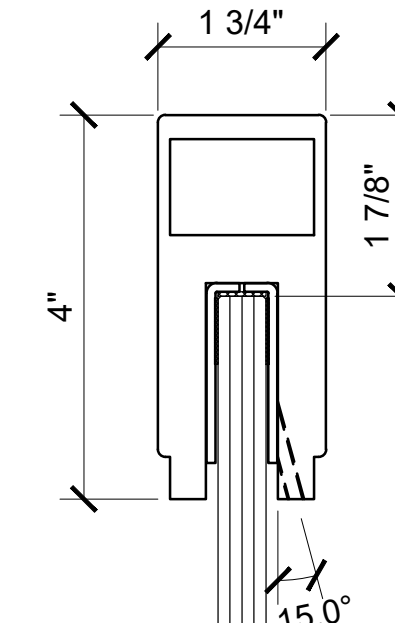
3243 SERIES - 1 1/2" SQ.  
FOR 3/4" (19mm)



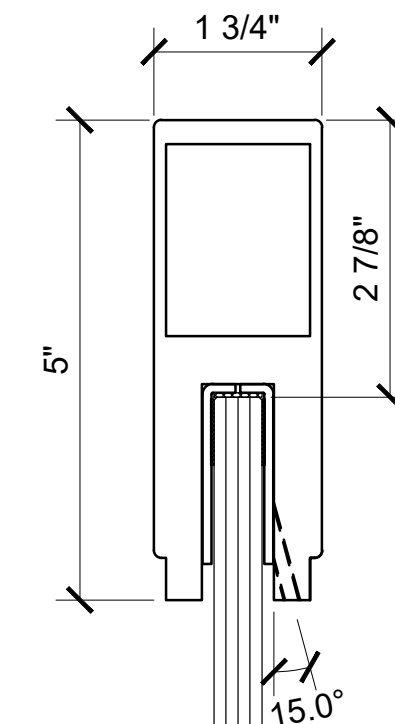
376 SERIES - ELLIPTICAL  
FOR 1/2" (12mm)



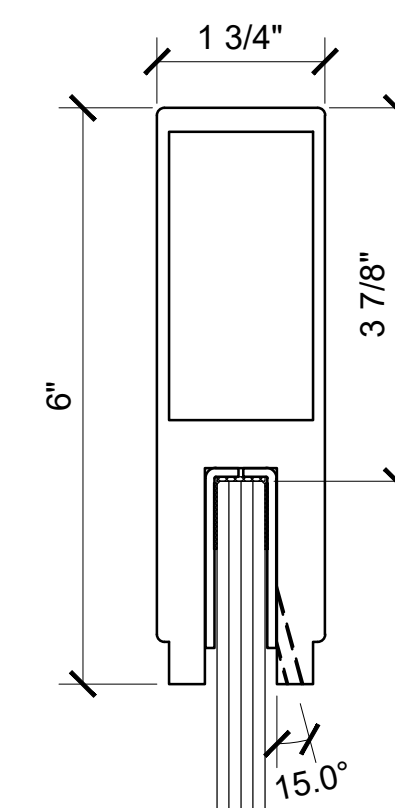
398 SERIES - 4" x 1 5/16"  
FOR 1/2" (12mm)



636 SERIES - 1 3/4" x 4"  
FOR 1/2" (12mm)



637 SERIES - 1 3/4" x 5"  
FOR 1/2" (12mm)

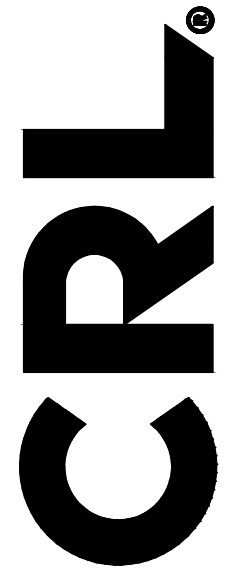


638 SERIES - 1 3/4" x 6"  
FOR 1/2" (12mm)

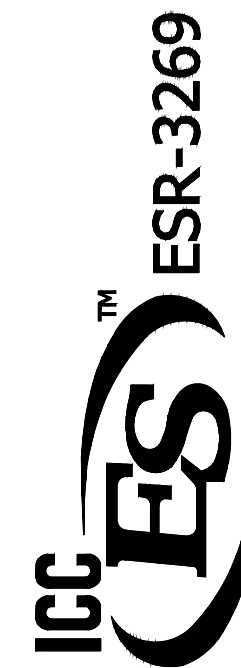
**BLUMCRAFT ® EXTRUDED SOLID ALUMINUM CAP RAIL**

**BLUMCRAFT ® EXTRUDED ALUMINUM CAP RAIL**

Revisions By:		
5	-	-
4	06/28/21	AB
3	06/05/18	VM
2	08/12/16	JG
1	02/08/16	JG



2503 E. Vernon Avenue, Los Angeles, CA 90058-1897  
PH (800)-421-6144 FX: 800-567-7501 www.crlaurence.com



Description:  
GRS  
GLASS RAILING SYSTEM  
FOR TEMPERED MONOLITHIC  
1/2", 5/8" & 3/4" THK. GLASS

CAP RAIL OPTIONS

Drawn By: JG
Date: 12/15/2015
Scale: AS NOTED
File Name:
CRL GRS Monolithic Glass Railing System.dwg
Sheet
<b>6</b>