

# LATITUDE 34° SERIES: HEMISPHERE SINGLE SLIDER



TABLE OF CONTENTS

WALL MOUNT ..... 3 - 17

    TOOLS & COMPONENT PARTS ..... 3

    TRACK MOUNTING ..... 4

        DETERMINE TRACK LOCATION AND DRILL PATTERN ..... 5

        DETERMINE TRACK LENGTH ..... 6

        TRACK DRILLING AND WALL MOUNT PREP ..... 7 - 9

        INSTALL DOOR STOPS AND END CAPS ..... 10

        MOUNT TRACK TO WALL ..... 11 - 13

TROLLEY INSTALLATION ..... 13 - 15

FLOOR GUIDE INSTALLATION ..... 16

SET DOOR TRAVEL ..... 17

GLASS MOUNT ..... 18 - 31

    TOOLS & COMPONENT PARTS ..... 18

    TRACK MOUNTING ..... 19

        DETERMINE TRACK LOCATION AND DRILL PATTERN ..... 20

        DETERMINE TRACK LENGTH ..... 21

        TRACK DRILLING AND GLASS WALL CLEARANCE ..... 22 - 23

        INSTALL DOOR STOPS AND END CAPS ..... 23 - 24

MOUNT TRACK TO GLASS SIDELITE ..... 25 - 26

    TROLLEY INSTALLATION ..... 27 - 28

    FLOOR GUIDE INSTALLATION ..... 29

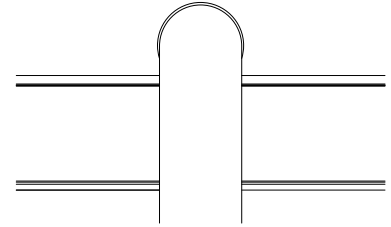
    SET DOOR TRAVEL ..... 30

**IMPORTANT: READ THIS MANUAL THOROUGHLY BEFORE BEGINNING INSTALLATION**

## 1. TOOLS + MATERIALS REQUIRED

### TOOLS

- Tape measure
- Level
- Stud finder
- Ratchet and Imperial socket set
- Torque wrench capable of measuring up to 110 inch-lbs (9.5 ft-lbs)
- Imperial Allen wrench and bit set
- Standard bit kit with driver
- Power drill
- Imperial drill bit index and countersink bit
- 1-3/4" Forstner drill bit, or similar (for drywall)
- Router with grooving bit (for orders including wood door panels only)



### TOOLS FOR DRILLING AND CUTTING TRACK

- Miter or chop saw and carbide toothed blade
- 9/16" metal drill bit

### MATERIALS

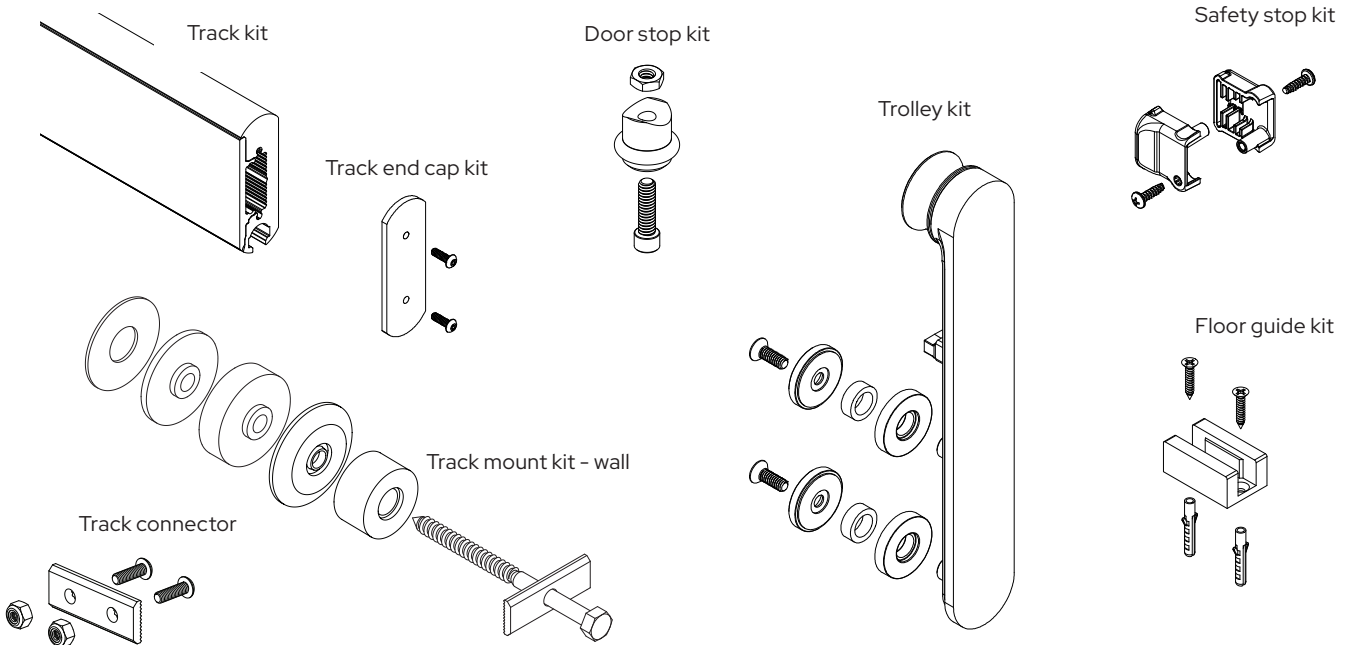
- Blue painters tape
- Pencil or other non permanent marking tool

**▲** The corresponding Product Specification document is to be comprehensively reviewed prior to product installation takes place. To deviate, or to not comprehensively and precisely follow all applicable product specifications and installation instructions can result in unsafe or hazardous site conditions that can cause bodily harm or death.

\*System options and additions may require additional tools or materials. See included instructions for each product for details.

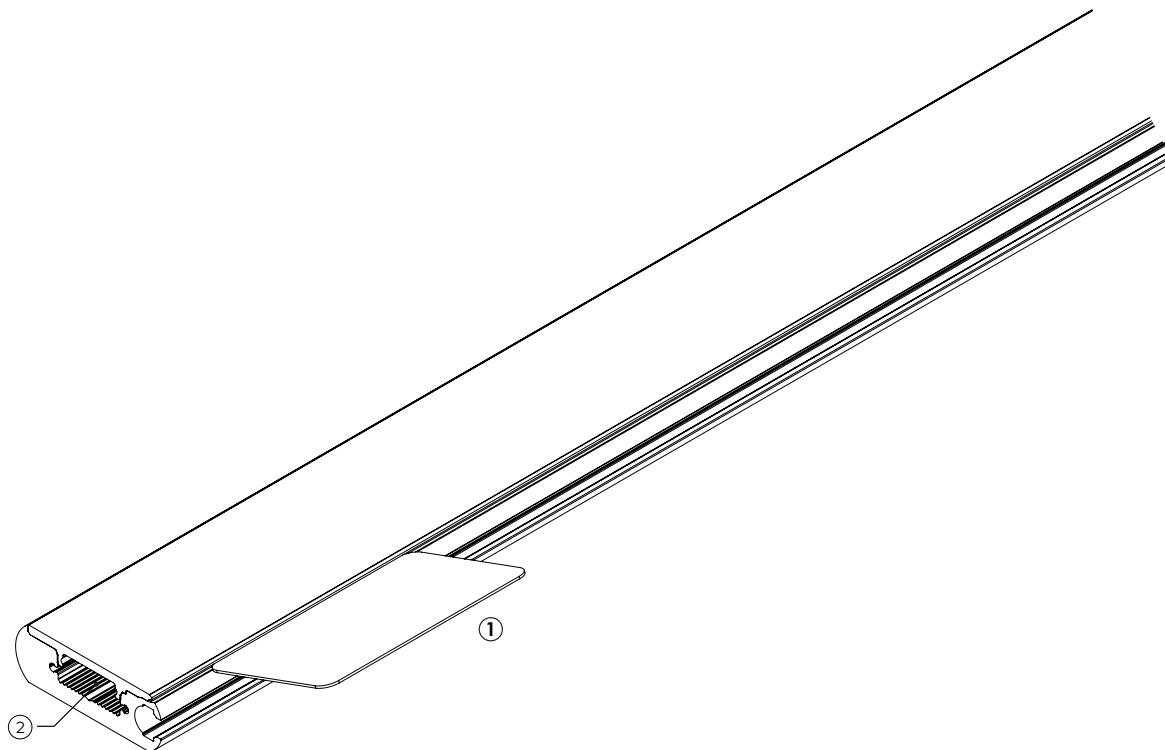
## 2. VERIFY ALL COMPONENTS

### BASE KIT



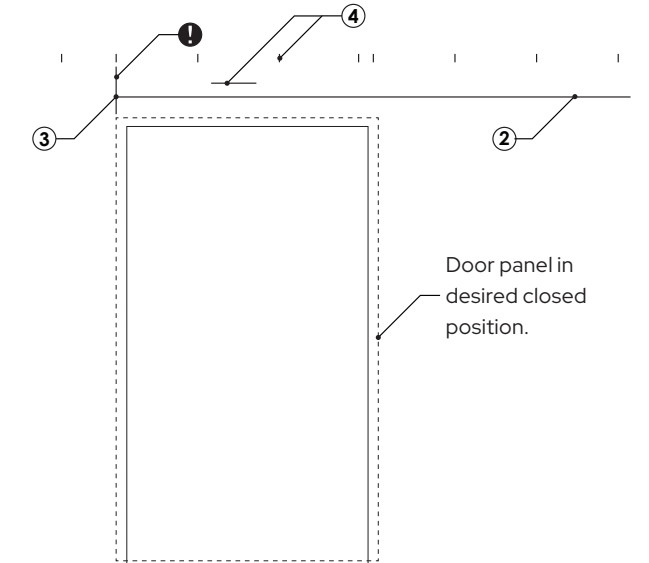
### 3. REMOVE TRACK COVER

- ① Remove the track(s) from the protective sleeve and gently pry the cover(s) from the base(s) with a slender plastic (non-marring) tool.
- ② Remove the Track Connector located inside the track cavity.



#### 4. DETERMINE TRACK LOCATION ON WALL

- ① Determine the height of the track centerline:  
**HEIGHT = DOOR PANEL HEIGHT + 3"**  
 This will result in approximately 3/8" of clearance between your door panel and the floor. Adjust if desired or necessary. Track height can be adjusted in succeeding steps.
- ② Mark the track horizontal centerline on your wall.
- ③ Mark the desired location of the end point of your track above the door opening, ideally so that it aligns with the edge of your door panel in the desired closed position.
- ❗ If track is being installed into wood studs, reference the diagrams below for proper locations.
- ④ If your track is being installed into wood studs, locate and mark door header height and stud locations.



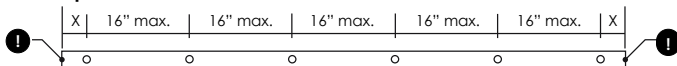
#### 5. DETERMINE TRACK DRILL PATTERN

- ① The installation wall condition determines the track mounting point drill pattern and weight capacity. Follow the applicable **drill pattern** rules below based on your wall condition.
- ❗ Installations with multiple adjoining tracks are required to be interlocked as outlined in step 10 in order to provide the required continuous weight bearing surface. This is only compatible with the **Structural blocking drill pattern**. See right table below and note that each track length has to follow the outlined pattern with evenly spaced mounting points.
- ❗ Multiple tracks **cannot** be adjoined to provide a continuous weight bearing surface for installations where track mounting points are secured to **wood studs**. See left table below.

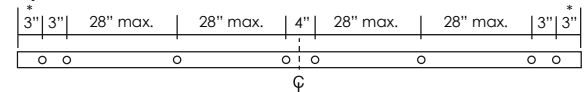
**Wood stud drill pattern: (200 lb Max)\*\***  
 Mounting point minimum: See table below.

**Structural blocking drill patterns**  
 Mounting point minimum: 6

**Up to 200 lbs \*\* with 1" maximum track standoff \*\*\***



**Up to 200 lbs \*\* with 1" maximum track standoff \*\*\***



Panel weight	X"	Mounting points
Up to 100 lbs	5"	4 Minimum
101 - 200 lbs	4"	6 Minimum
200 lbs	3"	6 Minimum

\* Maximum length of load-bearing track allowed beyond end mounting points. Non load-bearing track surface is outside of system width as defined in succeeding step and has no required minimum.

\*\*\* Reference Step 13 to define track standoff.

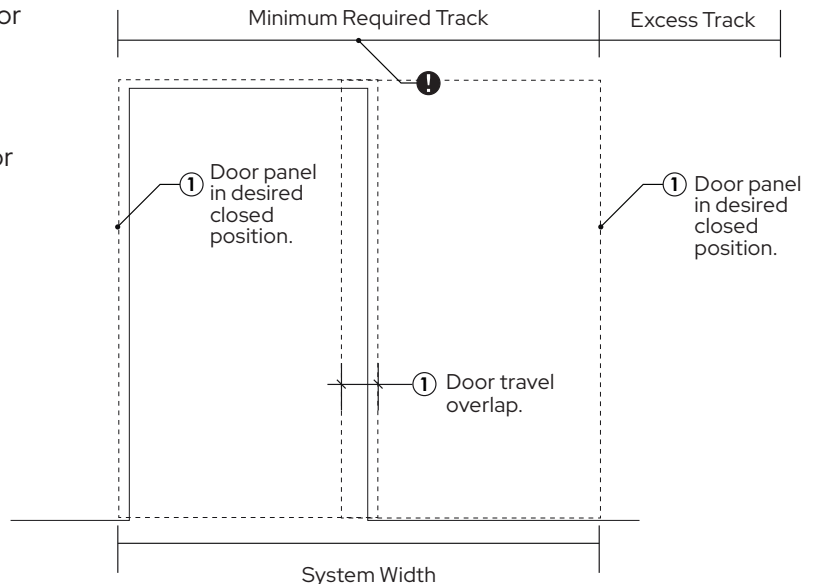
## 6. DETERMINE REQUIRED TRACK LENGTH

- ① Determine the desired open and closed positions of the door panel(s) considering protruding door pulls and overlap region for the floor guide.

- ② Calculate minimum required track length by determining system width for each door using the formula below:

$$\text{SYSTEM WIDTH} = (\text{DOOR WIDTH} \times 2) - \text{DOOR TRAVEL OVERLAP}$$

- ❗ If your track is mounting to wood studs, Minimum required track length will most likely exceed system width as determined by stud locations.
- ❗ For installations with multiple connected tracks, splice location requires blocking or for adjacent mounting point locations to attach to door header.

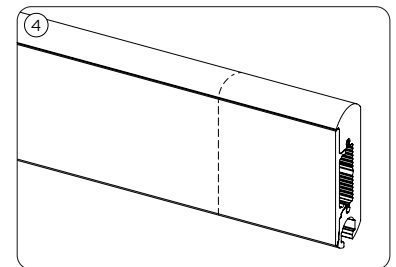
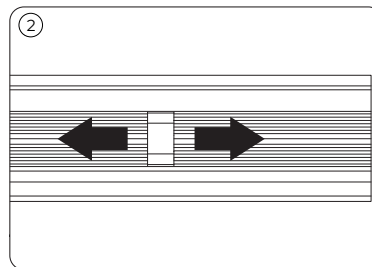


## 7. SYSTEM OPTION - CUT TRACK TO LENGTH (IF REQUIRED)

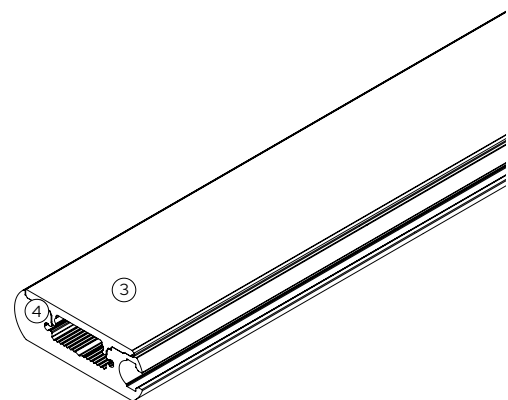
Protect track from possible scratches while cutting.

- ① Mark track cut location as determined using the System Width formula in the previous step.

- ❗ For tracks mounting to wood studs, ensure that site specific stud locations are considered.

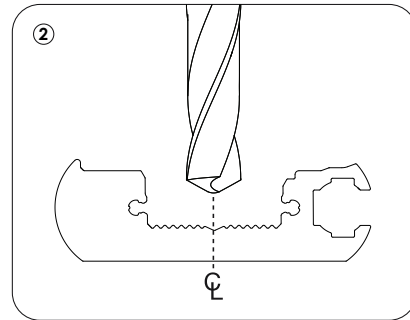
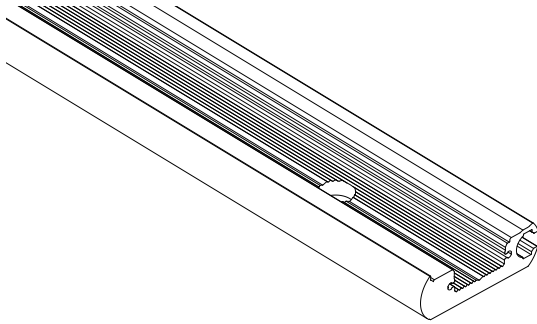


- ② Gently press to slide track springs clear of cut location.
- ③ Carefully reattach track cover to track base.
- ④ Align profile ends and tightly wrap the assembly with painters tape to prevent shift during cutting.
- ⑤ Cut track assembly using the appropriate tool and blade.
- ❗ Cut in horizontal orientation with cover facing up.
- ⑥ Carefully remove tape and track cover from base.



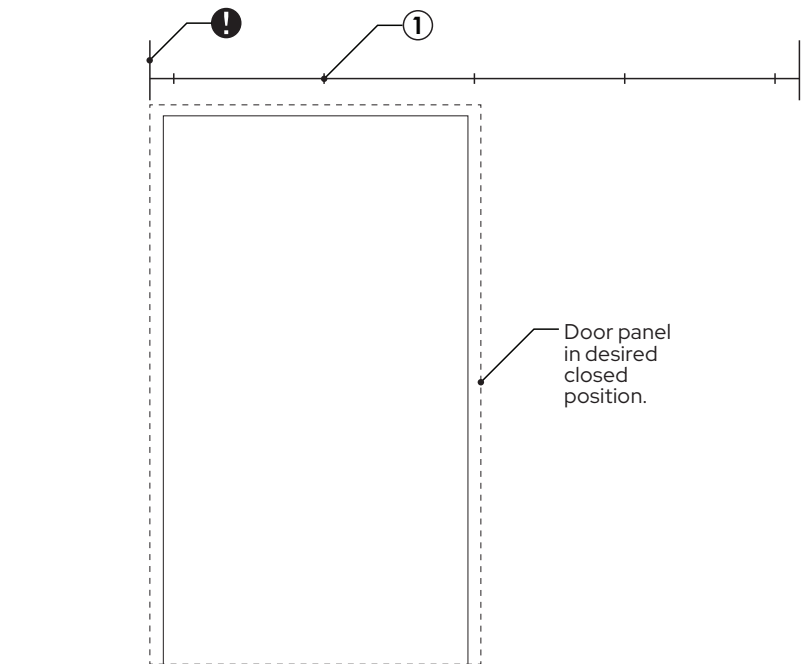
## 8. DRILL TRACK BASE

- ① With the appropriate lateral track wall position determined, apply the applicable Drill Pattern rules determined above.
- ❗ For tracks mounting to wood studs, ensure that site specific stud locations are considered.
- ② Mark determined hole pattern and drill corresponding 9/16" holes along the centerline of the track base as shown.



## 9. LOCATE TRACK MOUNTING POINTS ON WALL

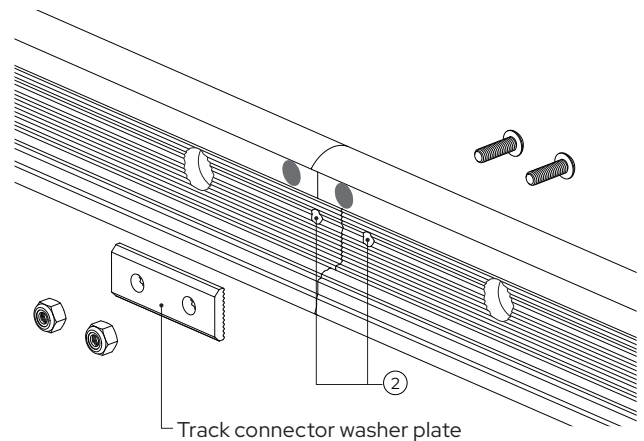
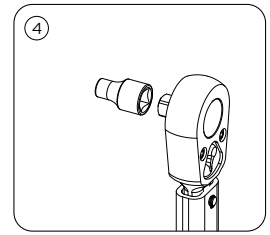
- ① Translate hole pattern in your drilled track base(s) to the previously scribed track centerline line.
- ❗ Ensure that the determined lateral track wall position is considered.



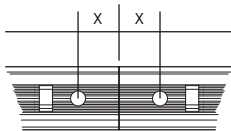
### 10. CONNECT TRACK BASES (IF REQUIRED)

Installations with multiple adjoining tracks are required to be interlocked in order to provide a continuous weight bearing surface. Reference track mounting point hole spacing in table below. Skip to the next step for single-track installations.

- ① Using the track connector washer plate centered over the seam as a template, mark track bases for drilling. Ensure teeth are aligned prior to marking.
- ② Drill 13/64" holes in each track base.
- ③ Connect track bases by installing the track connector as shown. Ensure that washer plate teeth align with teeth in the track base before tightening.
- ④ Using a torque wrench, tighten fasteners to 48 inch-lbs (4 ft-lbs).



Panel weight	X Minimum
All	1-1/2"

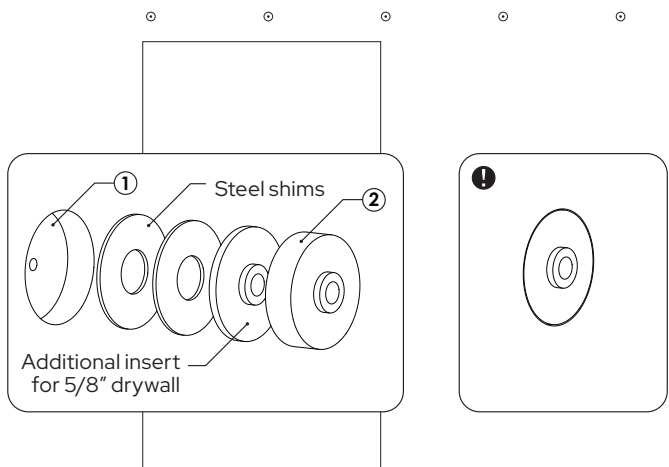


**⚠** Track connectors are mandatory for all adjoined tracks in order to provide a continuous weight bearing surface.

### 11. INSTALL DRYWALL INSERTS (OPTIONAL)

This step is for walls with a non-structural surface only. I.e., drywall, pin-up board or other materials that are structurally weaker than the substrate. Skip to the next step if your finished wall surface is structural.

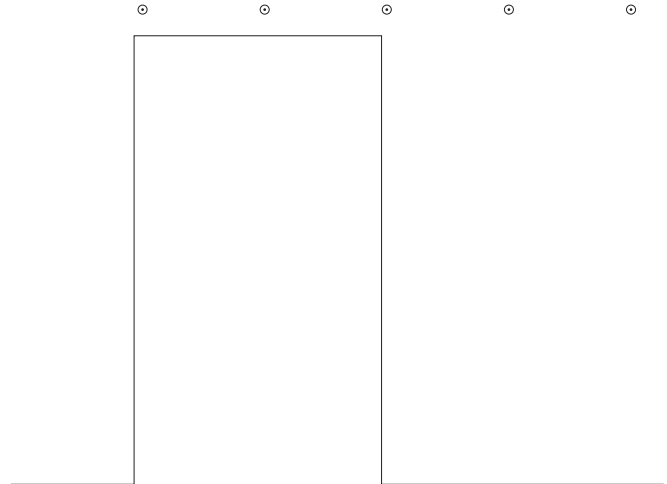
- ① Use a 1-3/4" Forstner bit or similar to remove the drywall at each mounting point.
  - ② Place a drywall insert into each cavity.
- ⓘ** To perform their function, drywall inserts must be up against the structural material of your wall and flush with the finished surface. If needed, use the included steel shims as shown.





## 12. PILOT DRILL STRUCTURAL WALL

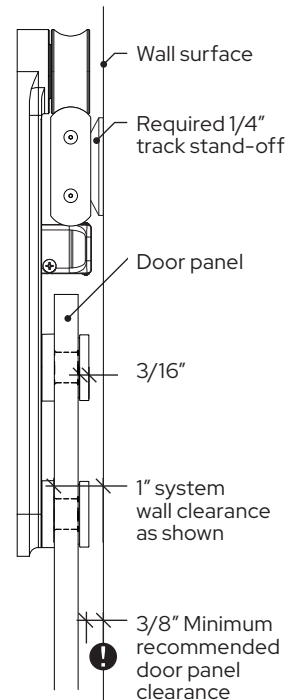
- ① Drill a pilot hole at each mounting point.
- ❗ Ensure that each mounting point engages an appropriate amount of structural material.
- ❗ Metal-studded framed walls must have 3" of solid blocking secured to studs or other framing members at each mounting point.
- ❗ Wood framed walls must have 3" of solid wood blocking secured to studs or other framing members. Mounting points can alternatively be secured to stud centers.



⚠ Structural requirements and suitability of other wall conditions to be determined by contractor or other qualified professional.

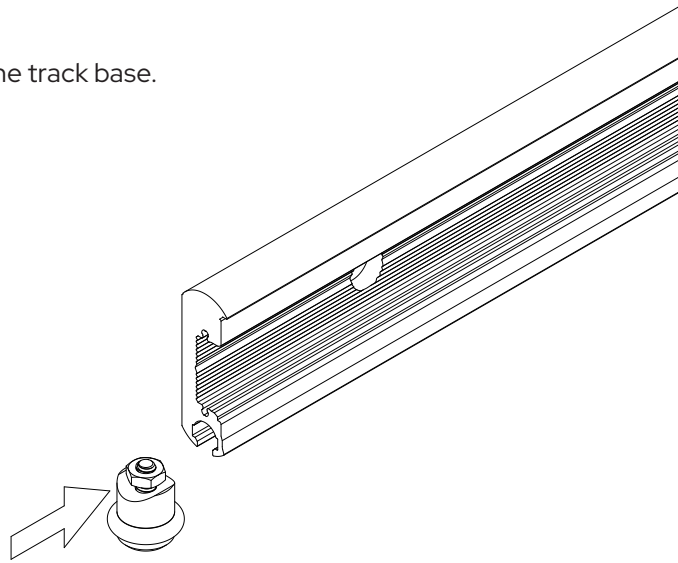
## 13. DETERMINE WALL CLEARANCE

- ① Taking any protruding wall element into consideration, determine the desired door panel to wall surface clearance. Examples include: baseboard, door trim, electrical outlets and wall switches.
- ② Identify the most appropriate track stand-off configuration using the formula and table below:  
**SYSTEM WALL CLEARANCE = DESIRED DOOR PANEL CLEARANCE + DOOR PANEL THICKNESS**
- ❗ 3/8" minimum recommended door panel to wall surface clearance.



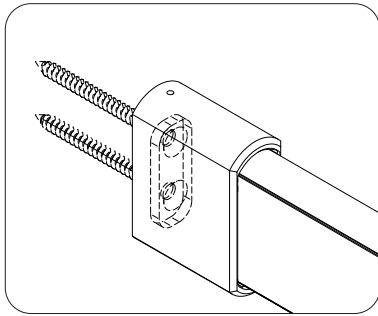
## 14. INSTALL DOOR STOPS

- ① Slide one door stop into each end of the track base.  
Do not yet tighten fasteners.



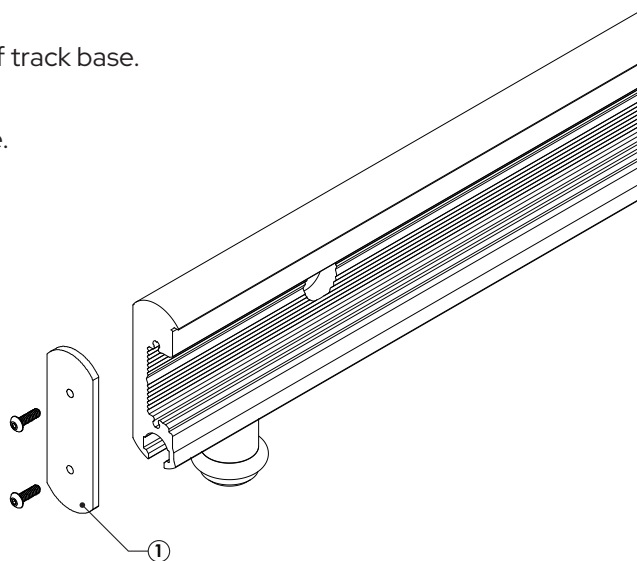
## 15. SYSTEM OPTION - INSTALL PERPENDICULAR WALL FITTING

If your order includes perpendicular wall fittings, reference applicable separate installation instructions in parallel to install the fitting.



## 16. INSTALL END CAPS

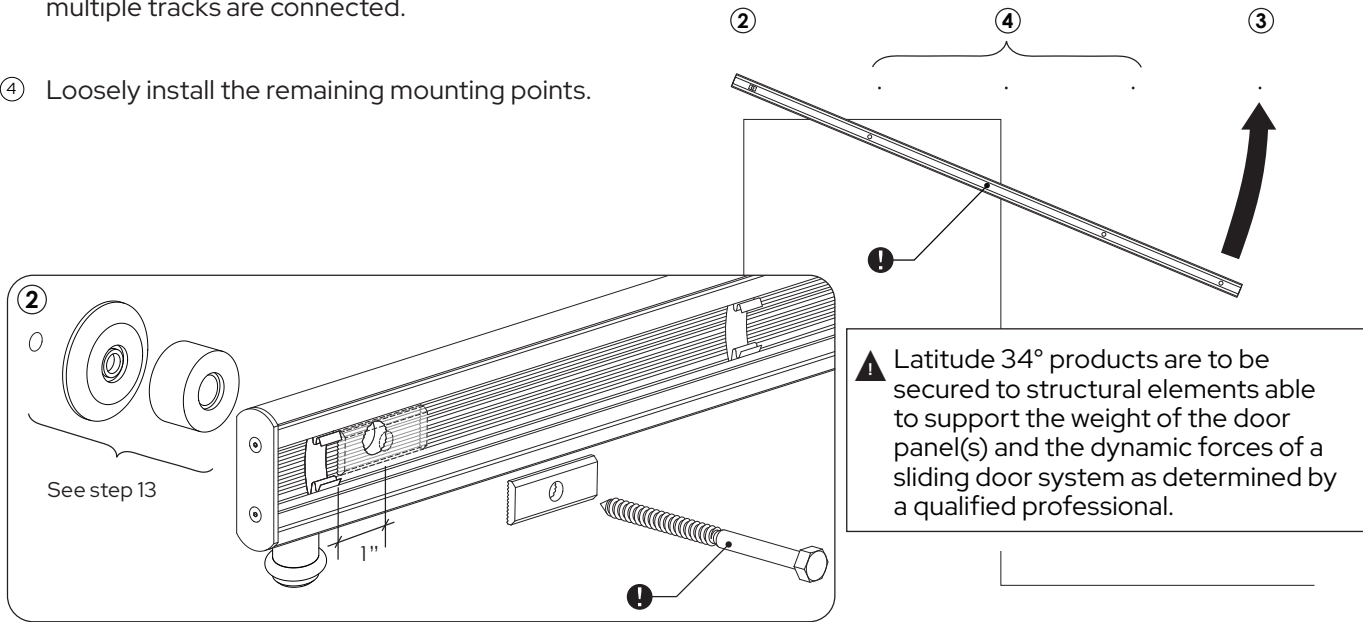
- ① End cap assembly may vary at each end of track base.
- ① Gently secure the end cap(s) to track base.
- ⚠ Do not over-tighten!



17. MOUNT TRACK BASE TO WALL

- ① If needed, gently press to slide track springs to be 1" away from holes to prevent clamping a spring under track washer plate. Evenly space springs along the length of track to ensure track cover is well-retained.
- ② With the track base slot facing down, loosely install one end of your track with the selected stack-up of track stand-offs and corresponding mounting fastener.
- ③ Repeat with the opposite end of the track.
- ❶ Support the track assembly along its length if multiple tracks are connected.
- ④ Loosely install the remaining mounting points.

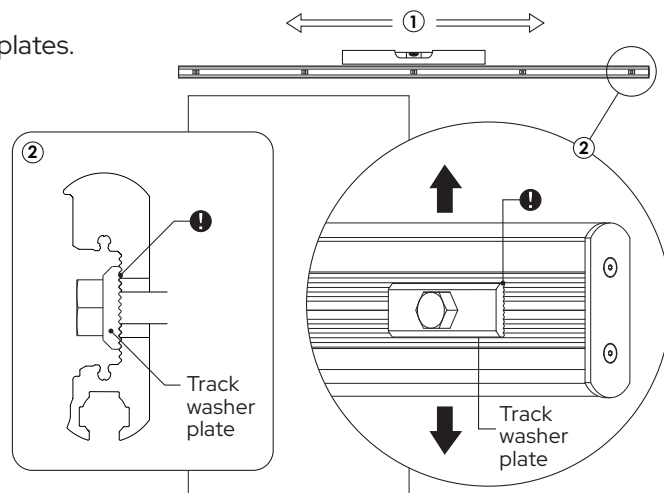
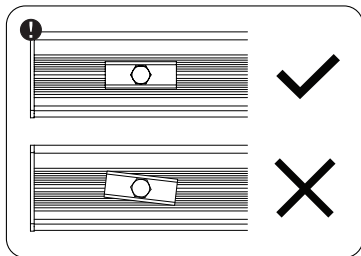
⚠ Contractor or other qualified professional to ensure suitability of provided fasteners for site-specific wall conditions.



## 18. LEVEL AND ADJUST TRACK HEIGHT

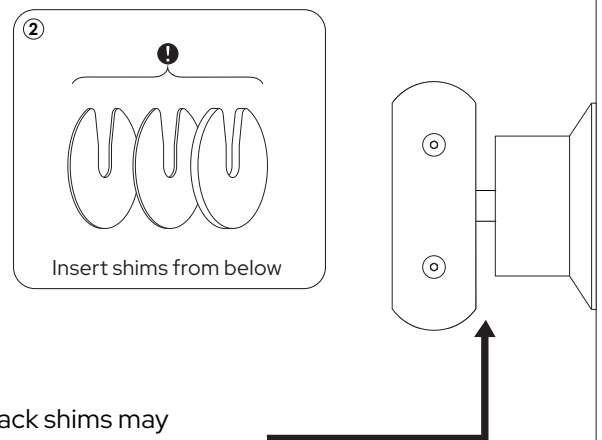
- ① Snug, but don't yet tighten each track fastener starting at the center and moving toward the ends. For maximum adjustment, start by positioning the washer plate in the center (neutral) position.
- ❶ Be sure to account for sloped or uneven floor when determining final desired track height.
- ② Using a level, adjust the position of the washer plate at each mounting point until track is level. If desired, adjust overall track height.
- ❶ Ensure that washer teeth align with teeth in the track base before tightening fasteners.
- ③ Tighten all mounting points, doing final tightening by hand.
- ❶ Do not over-tighten to deform track washer plates.

⚠ Installation on a vertical surface is required in order to ensure track base is installed plumb.



## 19. SYSTEM OPTION - INSTALL TRACK SHIMS

- ① Sight down the length of your track to determine if unevenness in the wall surface is causing your track to bow. Skip to the next step if track base is straight.
- ② If out of true, loosen select track attachment points as needed and insert shims from below as shown. Ensure that the opening of the shim faces up. Start with one of the thinner shims, adding and swapping shims as needed until the track is straight along entire length to within the thickness of one shim.
- ❶ Never use more than one shim kit at any mounting point. Track shims may only be used at mounting points that pull the track out of true.



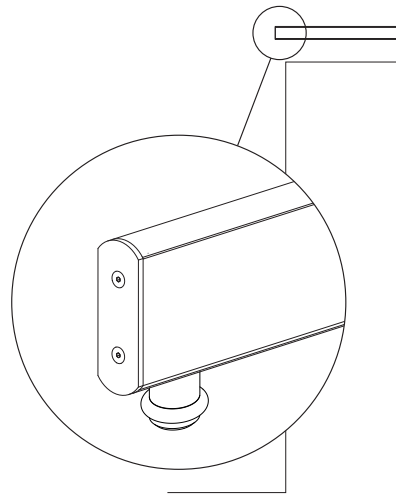
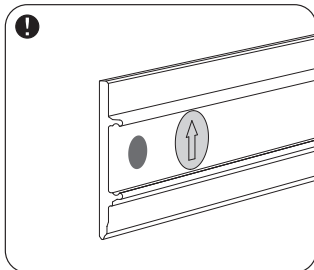
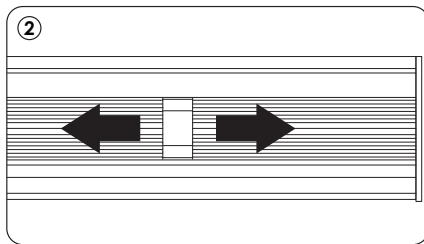
**NOTE:** Bowing in the track will negatively affect the system performance, causing increased friction and excessive wear. CRL's warranty does not cover wear caused by improper installation.

- ③ Retighten track fasteners to provided specifications.

⚠ Do not use shims for the purpose to extend the track standoff distance.

## 20. SECURE TRACK COVER

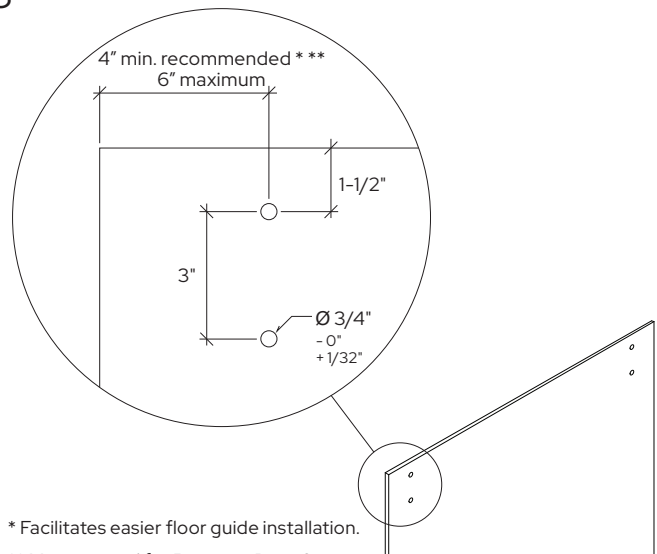
- ① Confirm that track base is level, straight, and that all mounting points have been securely fastened.
- ② Inspect each track spring to ensure no interference with the mounting hardware and that they are evenly spaced along the length of the track base.
- ❗ Ensure that the arrow on the inside of the track cover is facing up.
- ③ Carefully reattach track cover(s) to track base(s) confirming fully seated and securely attached along the entire length. Adjust track spring locations if needed.



## 21. PREPARE DOOR PANEL FOR TROLLEYS

- ❗ Ensure that glass door panel(s) conform to CRL's glass product specifications.
- ① Confirm hole placement, sizing, and overall preparation per CRL's glass panel specifications.
- ② Inspect glass for any defects, including but not limited to chips, deformations, and irregularly shaped holes.

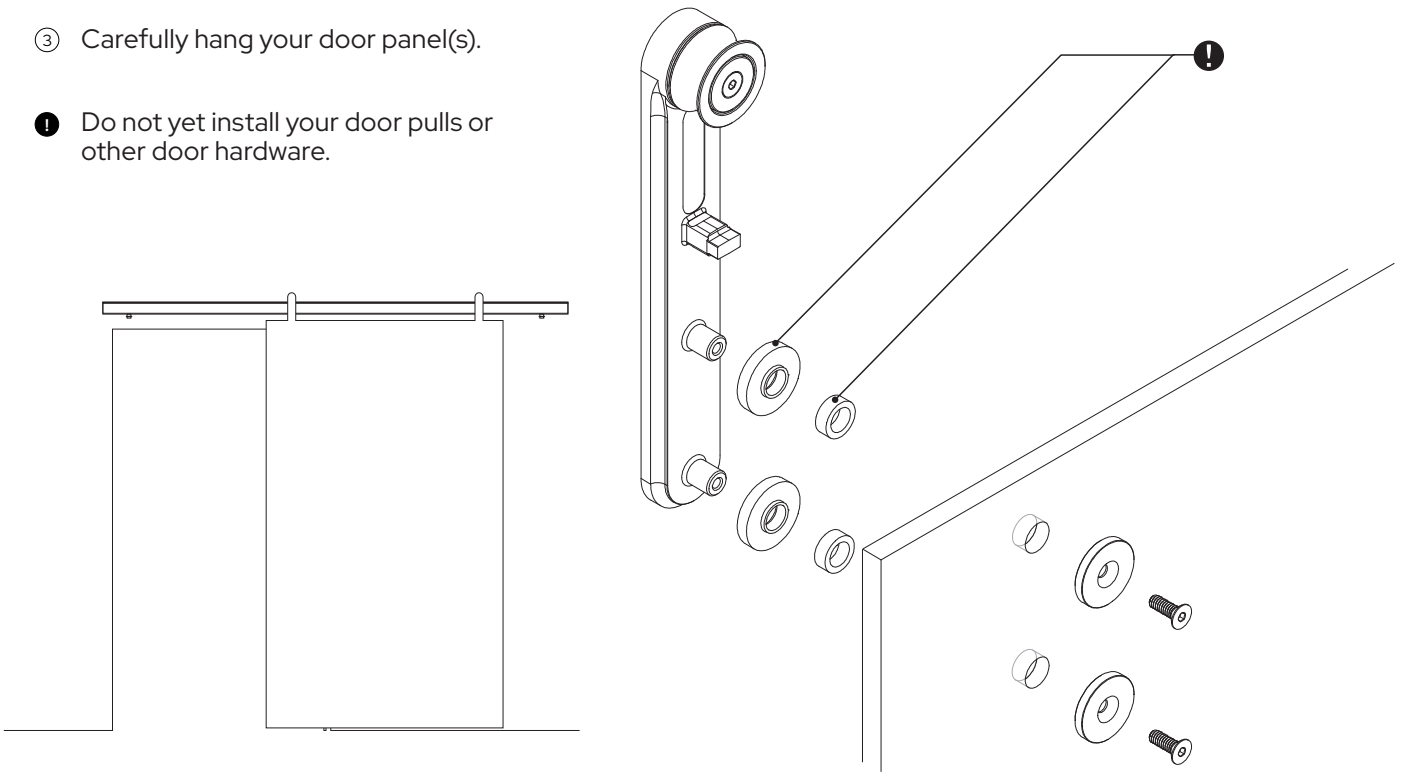
⚠ Do not install defective glass. Any glass defect is a safety hazard and requires replacement prior to installation.



\* Facilitates easier floor guide installation.  
 \*\* Min. required for Premium Door Stops.

## 22. ATTACH TROLLEYS TO DOOR PANEL

- ① Attach the trolleys using the provided fasteners ensuring that the trolleys are parallel to the vertical edges of the door panel.
- ❗ Included glass bushings must be used in all installations.
- ② Using a torque wrench, tighten fasteners to 108 inch-lbs (9 ft-lbs).
- ③ Carefully hang your door panel(s).
- ❗ Do not yet install your door pulls or other door hardware.

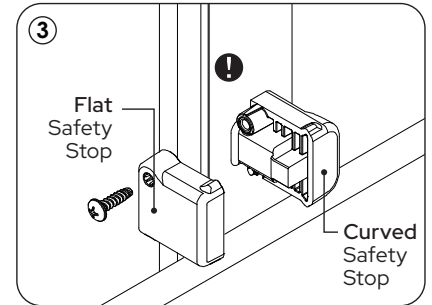


## 23. ADJUST DOOR PANEL HEIGHT

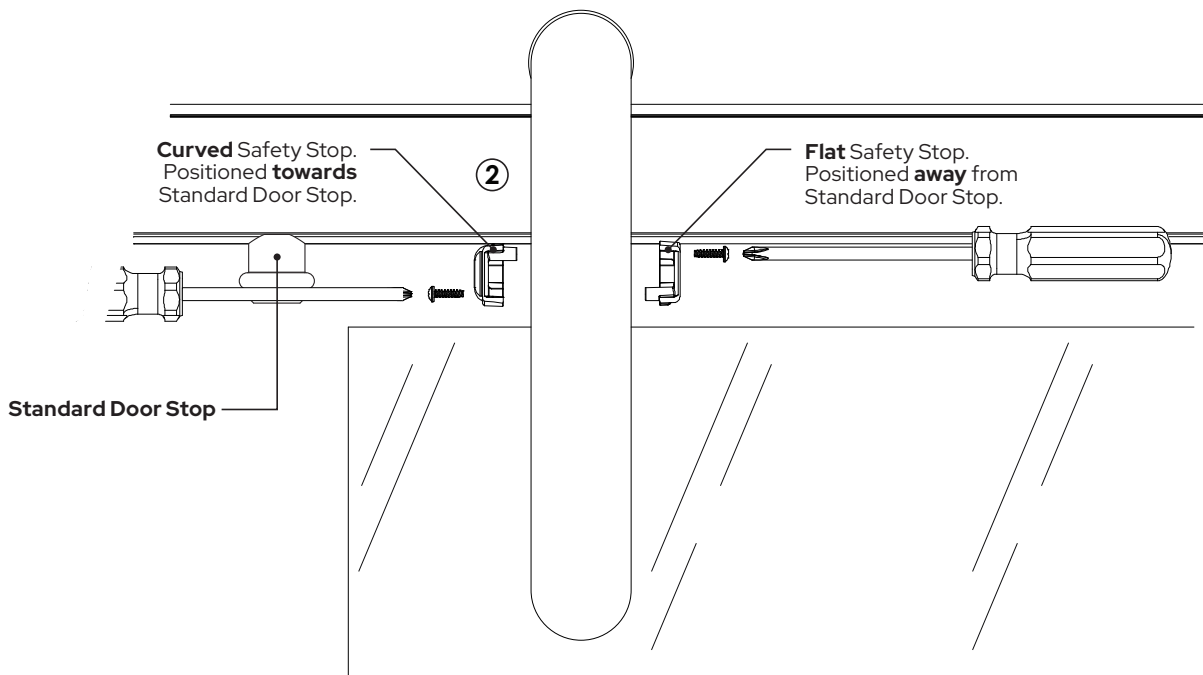
- ① If required, door panel height can be adjusted up or down by raising or lowering the track base as outlined in step 18.

## 24. INSTALL SAFETY STOPS

- ① Remove protective cap from trolley post.
- ② For **Standard Door Stop** installation, place curved safety stops towards door stops, and flat safety stops away from door stops as shown. For **Premium Door Stop** installation, reference separately provided installation instructions.
- ❗ Ensure the first safety stop is fully seated and properly aligned so that half of the trolley post is completely covered by the safety stop.
- ③ Slide the second safety stop over the other side of the post.
- ❗ Ensure that both safety stops are aligned and fully seated.
- ④ Thread provided screws into both sides of the safety stops using a #2 Phillips Screw Driver and lightly tighten.
- ⑤ Repeat above steps for second trolley with reverse safety stop positions.

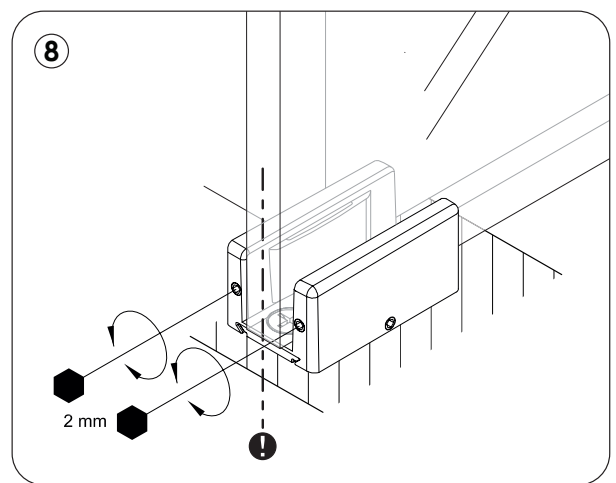
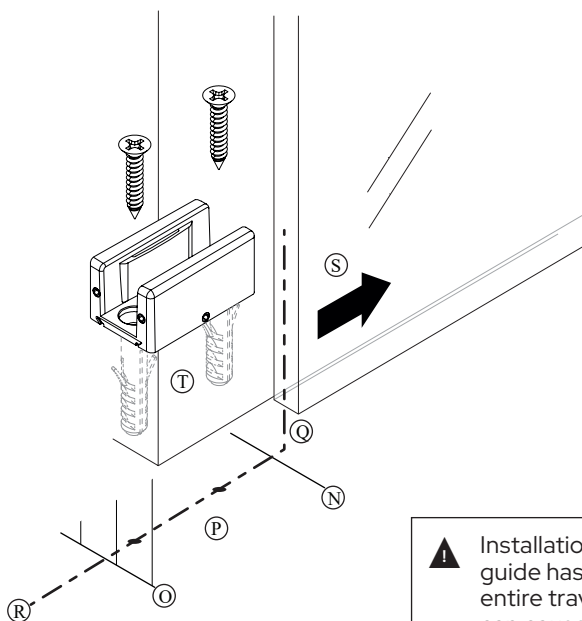


⚠ Not correctly installing safety stops can result in the door panel derailing during normal use which can cause damage and a safety hazard.



25. INSTALL FLOOR GUIDE

- ① With the door panel in the desired closed position, mark the leading edge of the door panel on the floor.
- ② With the door panel in the desired open position, mark the trailing edge of the door panel on the floor.
- ③ Minimum required door panel overlap is 2". Adjust door travel if needed.
- ④ Confirm that the gap between floor and door panel is sufficient for the floor guide in the overlap area.
- ⑤ With the door panel hanging plumb, mark the door panel centerline.
- ⑥ Temporarily move the door panel beyond the desired fully open position, revealing the overlap area for floor guide install.
- ⑦ Mark, pilot drill and install the floor guide in the overlap area along the door panel centerline.
- ❗ Dependant upon wall condition, floor guide may need to be installed in the door opening.
- ❗ Provided fasteners and expansion anchors are not suitable for all types of floors. Caulking or sealing of floor penetrations may be required by code.
- \* If installation does not allow the door panel to be moved beyond the overlap area, carefully tilt the door panel away from the wall and first install floor guide mount plate only. Then with door panel in plumb position, slide the floor guide onto mount plate and door panel and secure set screws. Ensure that floor guide location provides access to both guide mount plate set screws after installation.
- ⑧ Adjust the floor guide to the thickness of the door panel using the vprovided 2mm Allen wrench. Ensure that the door panel remains plumb.

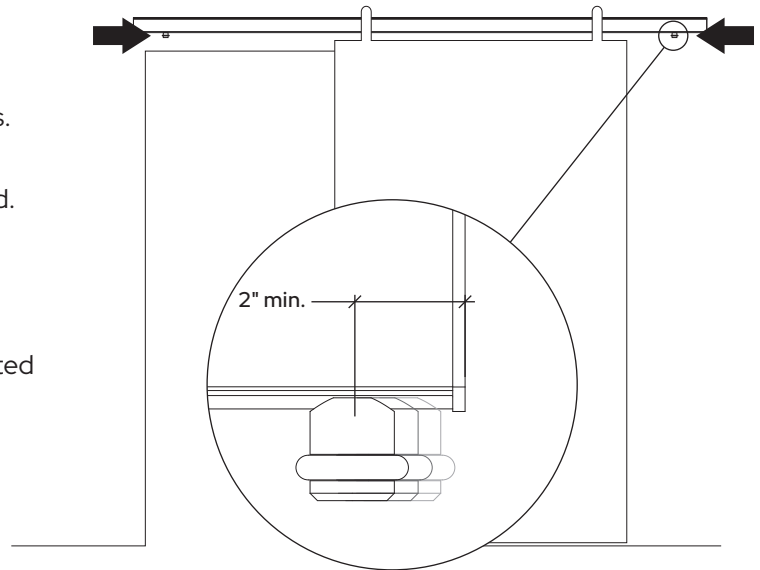
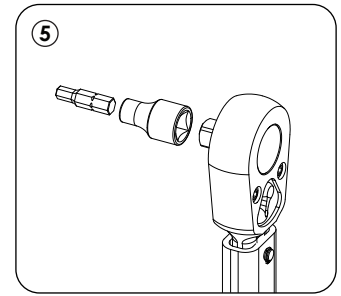


⚠ Installation of a floor guide is required. Floor guide has to fully engage door panel along its entire travel. Not following these instructions can cause damage and a safety hazard.



## 26. SET DOOR TRAVEL

- ① With the door in the desired open position, slide the door stop until it touches the safety stop of the nearby trolley.
- ❗ Note any protruding door pulls.
- ② Repeat with the door in the closed position, sliding the door stop until it touches the safety stop of the nearby trolley.
- ❗ Verify that the floor guide is properly engaged in both the fully open and fully closed positions.
- ③ Tighten all door stop fasteners in place by hand.
- ❗ Note 2" minimum distance from track end.
- ④ Confirm that door stop locations have not shifted while tightening. Readjust if needed.
- ⑤ Using a torque wrench, tighten fasteners to 110 inch-lbs (9.5 ft-lbs).



⚠ Not tightening door stops to provided specs can cause the door to slide off the end of the track and cause damage and a safety hazard.

## 27. CARE AND MAINTENANCE

- ❗ Latitude 34° products require routine care and maintenance. Read and understand these requirements in our Product Care & Maintenance guide.
- ① Thoroughly clean product and remove all debris and fingerprints immediately after installation as described in our Product Care & Maintenance guide.

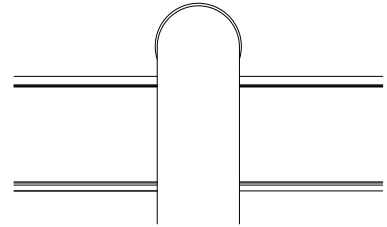
⚠ Not properly following the Care & Maintenance guide can cause excessive wear and degrade product performance over time.

Visual product representations herein may differ from the actual products. Components and details are subject to improvement changes.

## 1. TOOLS + MATERIALS REQUIRED

### TOOLS

- Tape measure
- Level
- Stud finder
- Ratchet and Imperial socket set
- Torque wrench capable of measuring up to 110 inch-lbs (9.5 ft-lbs)
- Imperial Allen wrench and bit set
- Standard bit kit with driver
- Power drill
- Imperial drill bit index and countersink bit



### TOOLS FOR DRILLING AND CUTTING TRACK

- Miter or chop saw and carbide toothed blade
- 9/16" metal drill bit

### MATERIALS

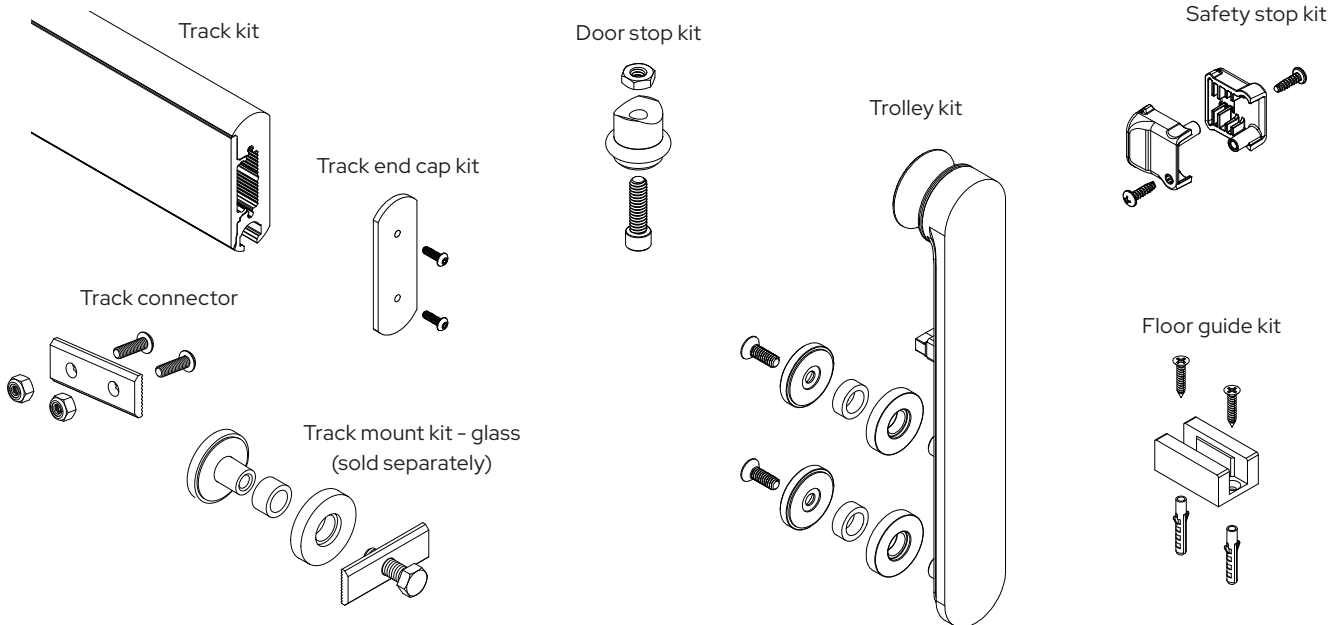
- Blue painters tape
- Pencil or other non permanent marking tool

**▲** The corresponding Product Specification document is to be comprehensively reviewed prior to product installation takes place. To deviate, or to not comprehensively and precisely follow all applicable product specifications and installation instructions can result in unsafe or hazardous site conditions that can cause bodily harm or death.

\*System options and additions may require additional tools or materials. See included instructions for each product for details.

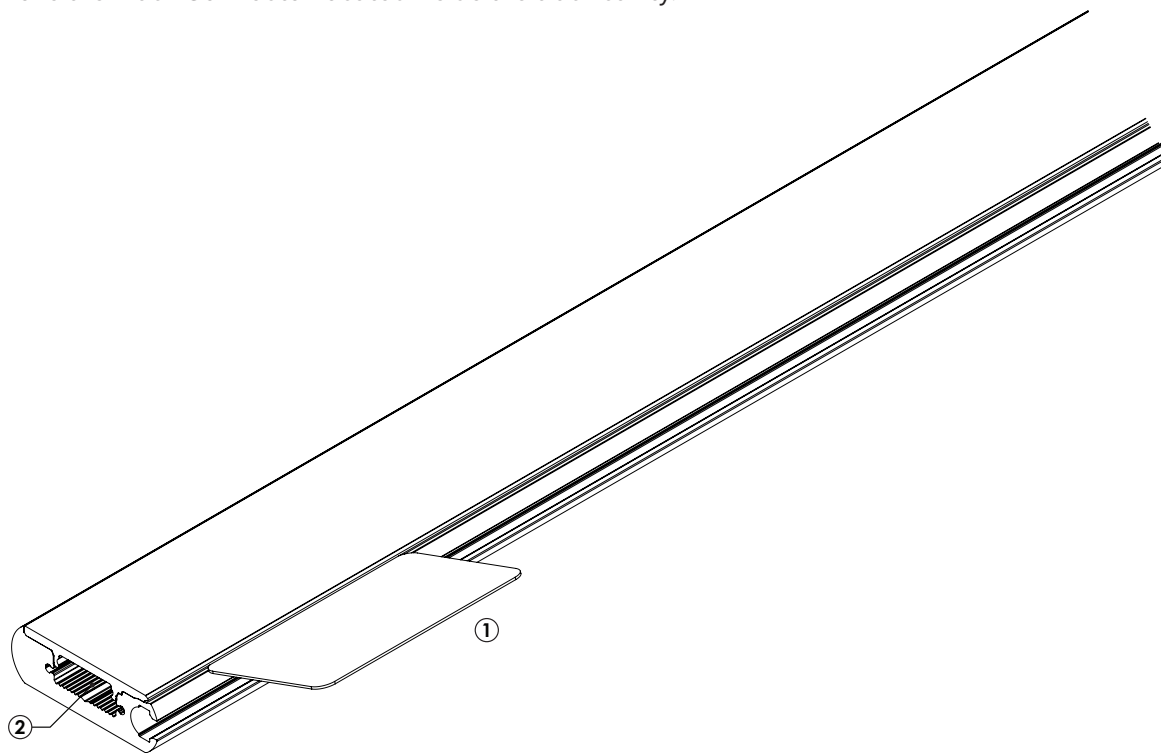
## 2. VERIFY ALL COMPONENTS

### BASE KIT



### 3. REMOVE TRACK COVER

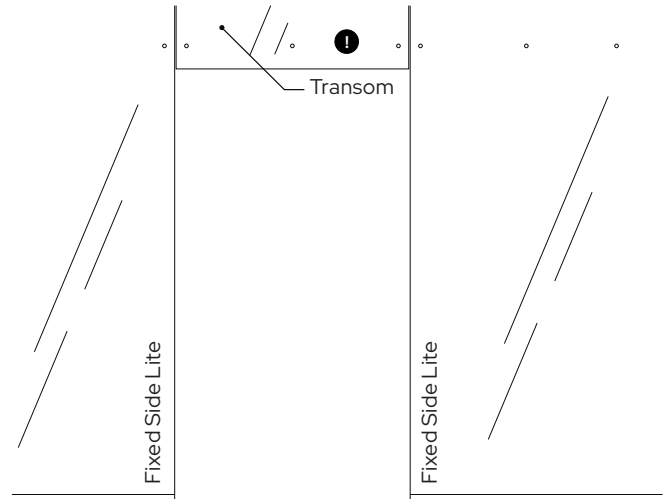
- ① Remove the track(s) from the protective sleeve and gently pry the cover(s) from the base(s) with a slender plastic (non-marring) tool.
- ② Remove the Track Connector located inside the track cavity.



#### 4. DETERMINE TRACK LOCATION ON WALL

Track location is determined by the side lite(s) and transom layout.

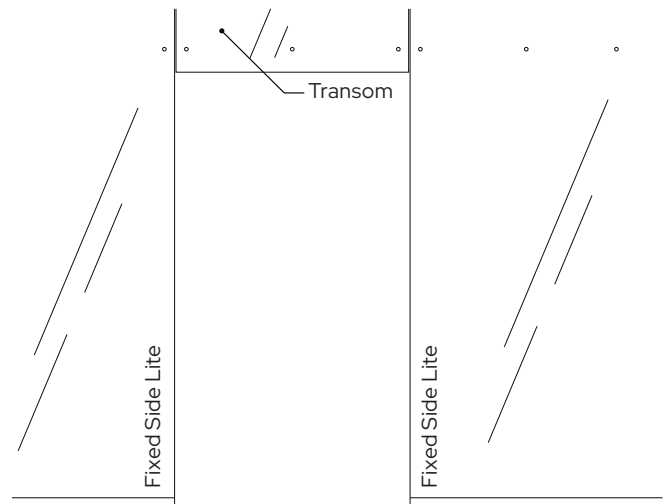
- ❗ Ensure that all applicable CRL glass product specifications are adhered to, including but not limited to glass hole locations.
- ❗ CRL hardware systems require that transom is a structural element able to support the weight of the door panel(s) as determined by a qualified professional.
- ❗ CRL hardware systems are solely intended to support the door panel(s) and are NOT intended to structurally support transom or any other wall or partition member.
- ① Ensure that installation of side lite(s) and structural transom is complete before proceeding to the next step.



⚠ CRL products are to be secured to structural elements able to support the weight of the door panel(s) and the dynamic forces of a sliding door system as determined by a qualified professional.

#### 5. DETERMINE TRACK DRILL PATTERN

- ❗ Ensure that all applicable CRL glass product specifications are adhered to.
- ① The track drill pattern(s) is driven by the hole locations in your fixed side lite(s) and transom panels which are to be installed first.
- ❗ If your order contains multiple tracks to be spliced together, note that each individual track length is to follow the applicable drill pattern as outlined in your product's glass product specifications.



## 6. DETERMINE REQUIRED TRACK LENGTH

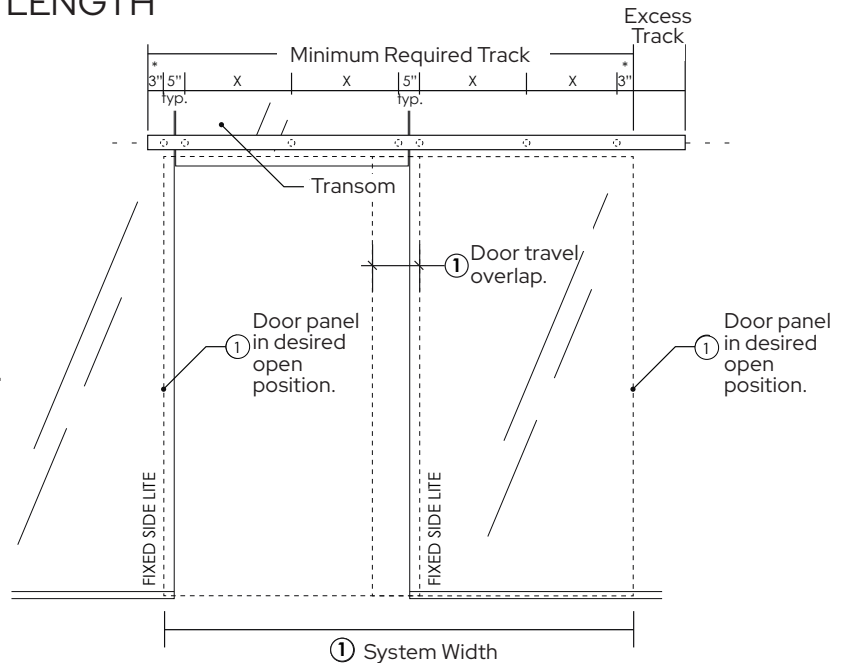
- 1 Determine the desired open and closed positions of the door panel(s) considering door pulls and overlap region for the floor guide.

- 2 Calculate minimum required track length by determining system width for each door using the formula below:

$$\text{SYSTEM WIDTH} = (\text{DOOR WIDTH} \times 2) - \text{DOOR TRAVEL OVERLAP}$$

- 1 Minimum required track length can exceed system width as determined by side lite and transom hole locations.

Span (X)	Max. panel weight
Up to 32"	200 lb.

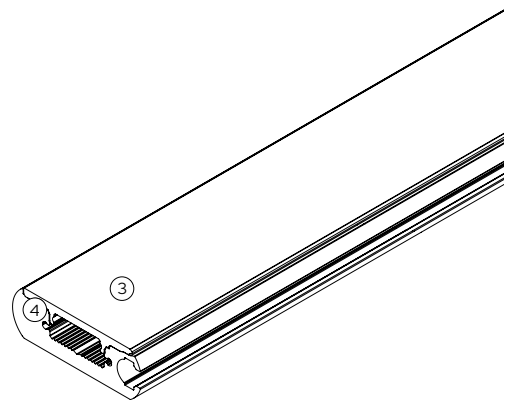
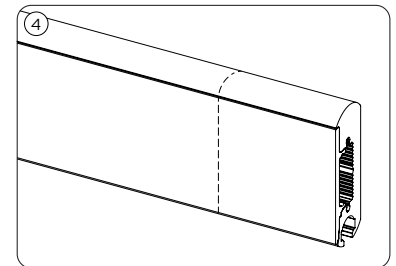
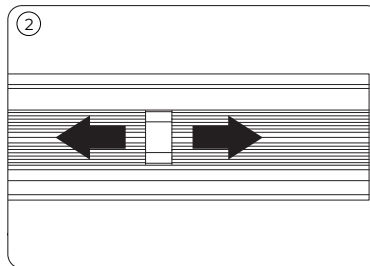


\* 3" maximum length of load-bearing track allowed beyond end mounting points.  
Non load-bearing track surface has no required minimum.

## 7. SYSTEM OPTION - CUT TRACK TO LENGTH (IF REQUIRED)

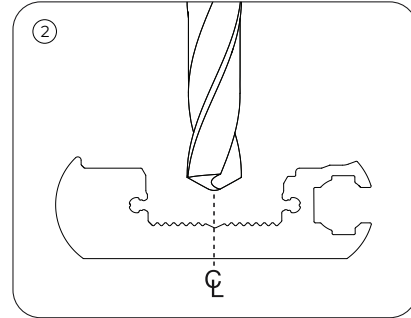
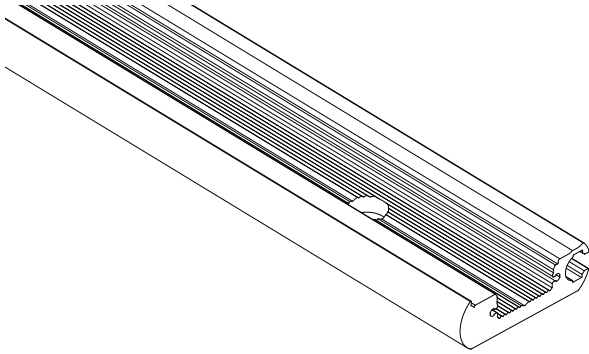
Protect track from possible scratches while cutting.

- 1 Mark track cut location as determined using the System Width formula in the previous step.
- 2 Gently press to slide track springs clear of cut location.
- 3 Carefully reattach track cover to track base.
- 4 Align profile ends and tightly wrap the assembly with painters tape to prevent shift during cutting.
- 5 Cut track assembly using the appropriate tool and blade.
- 1 Cut in horizontal orientation with cover facing up.
- 6 Carefully remove tape and track cover from base.



## 8. DRILL TRACK BASE

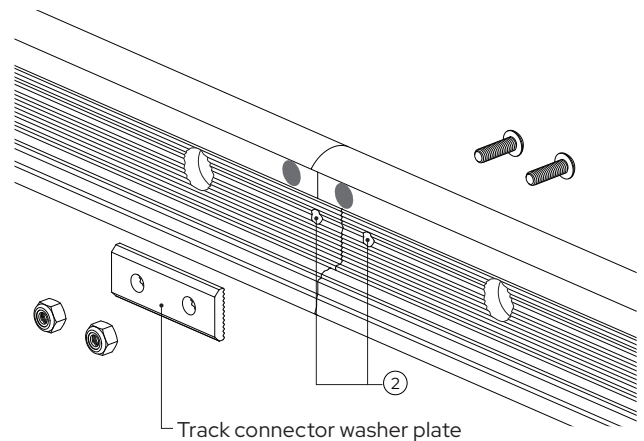
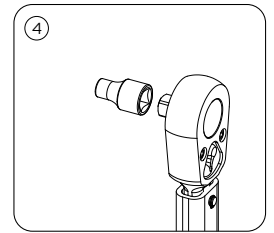
- ① With the appropriate lateral track wall position determined, apply the side lite and transom hole pattern to track base(s).
- ② Drill corresponding 9/16" holes along the centerline of the track base as shown.



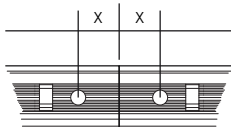
## 9. CONNECT TRACK BASES (IF REQUIRED)

Installations with multiple adjoining tracks are required to be interlocked in order to provide a continuous weight bearing surface. Reference track mounting point hole spacing in table below. Skip to the next step for single-track installations.

- ① Using the track connector washer plate centered over the seam as a template, mark track bases for drilling. Ensure teeth are aligned prior to marking.
- ② Drill 13/64" holes in each track base.
- ③ Connect track bases by installing the track connector as shown. Ensure that washer plate teeth align with teeth in the track base before tightening.
- ④ Using a torque wrench, tighten fasteners to 48 inch-lbs (4 ft-lbs).



Panel weight	X Minimum
All	1-1/2"



**▲** Track connectors are mandatory for all adjoined tracks in order to provide a continuous weight bearing surface.

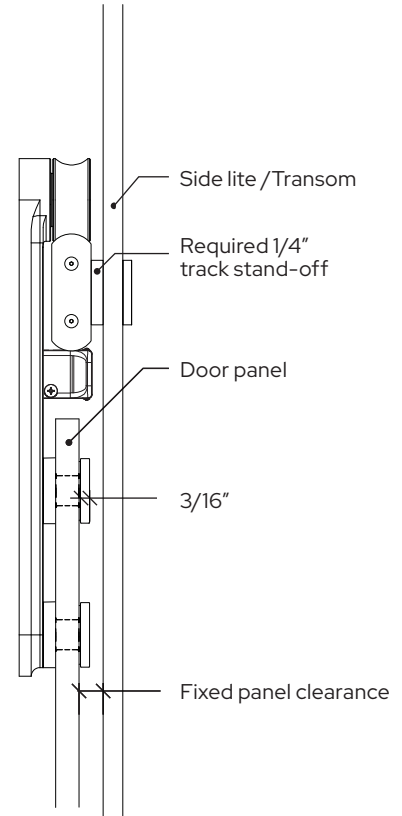
## 10. DETERMINE WALL CLEARANCE

Latitude 34° sliding hardware systems are compatible with 3/8" and 1/2" glass. Resulting door panel to wall clearance is compatible with standard glazing channels and other fixed glass fittings.

- ❗ Contact CRL Customer Support for atypical wall conditions that required wall clearance outside of the provided range.
- ① Identify the most appropriate track stand-off configuration using the formula and table below:

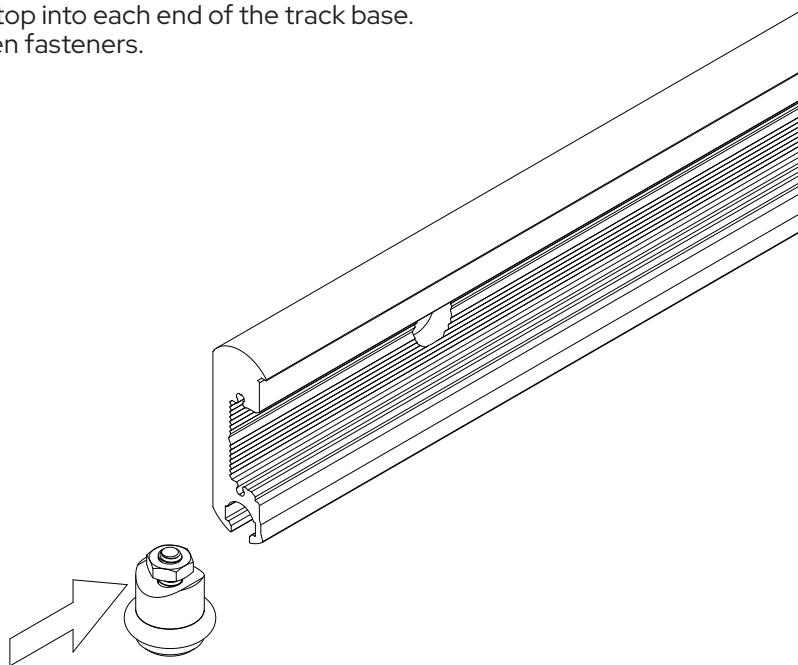
**SYSTEM WALL CLEARANCE = DESIRED DOOR PANEL CLEARANCE + DOOR PANEL THICKNESS**

Glass panel Thickness	Fixed Panel Clearance
3/8"	5/8"
1/2"	1/2"



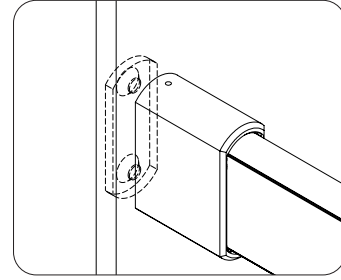
## 11. INSTALL DOOR STOPS

- ① Slide one door stop into each end of the track base. Do not yet tighten fasteners.



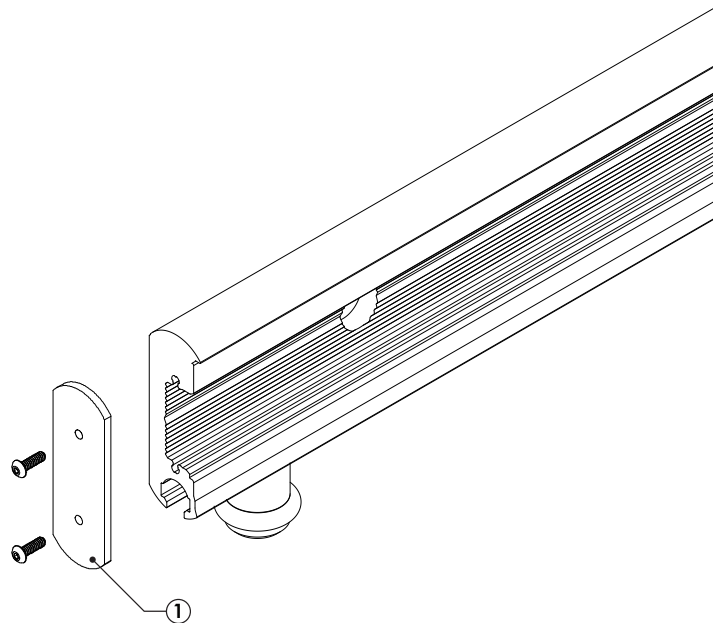
## 12. SYSTEM OPTION - INSTALL PERPENDICULAR WALL FITTING

If your order includes perpendicular wall fittings, reference applicable separate installation instructions in parallel to install the fitting.



## 13. INSTALL END CAPS

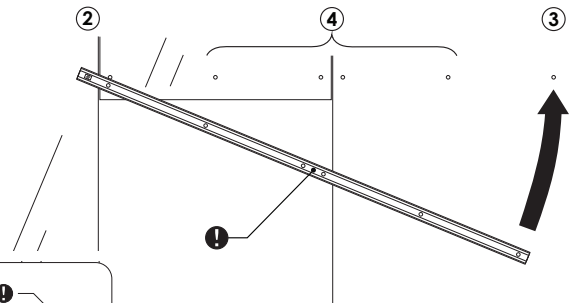
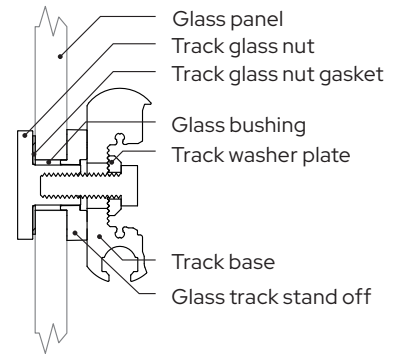
- ❗ End cap assembly may vary at each end of track base.
- ① Gently secure the end cap(s) to track base.
- ❗ Do not over-tighten!



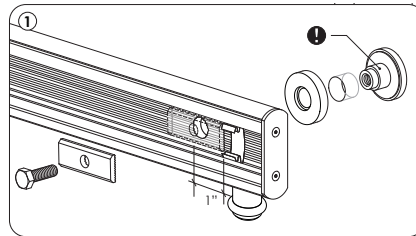


### 14. MOUNT TRACK BASE TO GLASS SIDELITE & TRANSOM

- ① If needed, gently press to slide track springs to be 1" away from holes to prevent clamping a spring under track washer plate. Evenly space springs along the length of track to ensure track cover is well-retained.
- ② With the door stops face down, loosely install one end of your track with the correct length mounting fastener based on glass thickness.
- ❗ Track glass nuts come assembled with gaskets and bushings. Both must be used at each mounting point.
- ③ Repeat with the opposite end of the track.
- ❗ Support the track assembly along its length if multiple tracks are connected.
- ④ Loosely install the remaining mounting points.



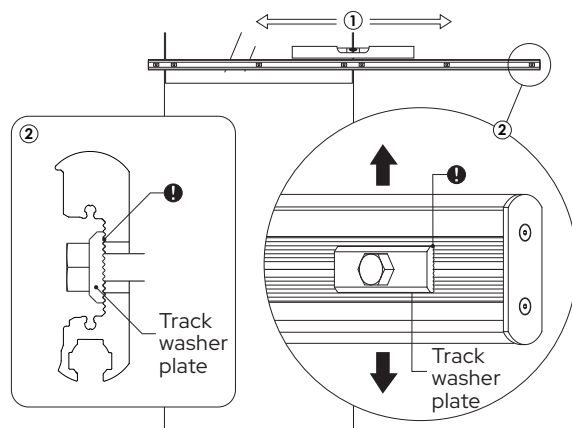
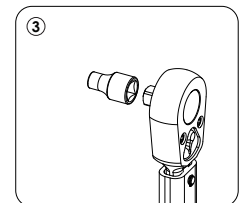
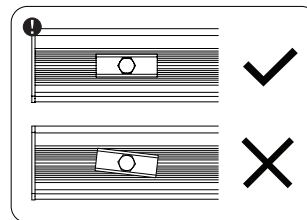
Side lite Thickness	Length
3/8"	7/8"
1/2"	1"



**⚠** CRL products are to be secured to structural elements able to support the weight of the door panel(s) and the dynamic forces of a sliding door system as determined by a qualified professional.

### 15. LEVEL AND ADJUST TRACK HEIGHT

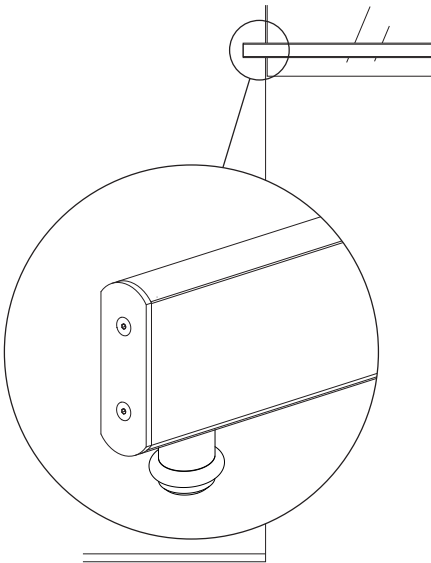
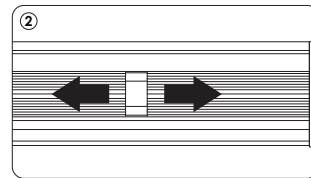
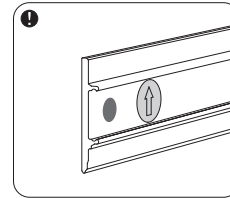
- ① Snug, but don't yet tighten each track fastener starting at the center and moving toward the ends. For maximum adjustment, start by positioning the washer plate in the center (neutral) position.
- ❗ Be sure to account for sloped or uneven floor when determining final desired track height.
- ② Using a level, adjust the position of the washer plate at each mounting point until track is level. If desired, adjust overall track height.
- ❗ Ensure that washer teeth align with teeth in the track base before tightening fasteners.
- ③ Using a torque wrench, tighten fasteners to 120 inch-lbs (10 ft-lbs).
- ❗ Do not over-tighten to deform track washer plates.



**⚠** Installation on a vertical surface is required in order to ensure track base is installed plumb.

## 16. SECURE TRACK COVER

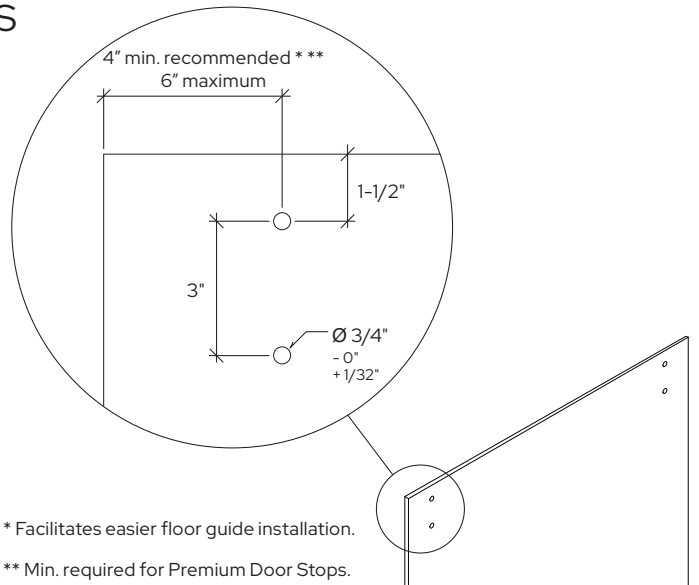
- ① Confirm that track base is level, straight, and that all mounting points have been securely fastened.
- ② Inspect each track spring to ensure no interference with the mounting hardware and that they are evenly spaced along the length of the track base.
- ③ Ensure that the arrow on the inside of the track cover is facing up.
- ④ Carefully reattach track cover(s) to track base(s) confirming fully seated and securely attached along the entire length. Adjust track spring locations if needed.



## 17. PREPARE DOOR PANEL FOR TROLLEYS

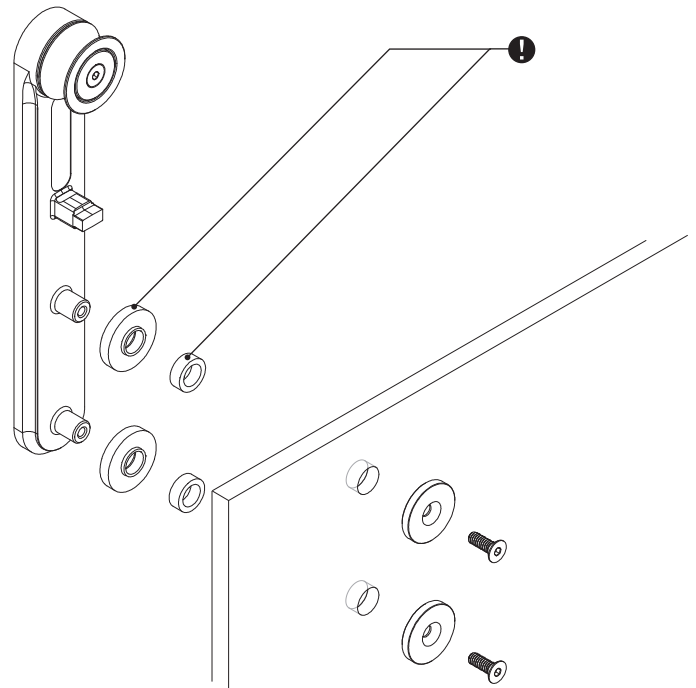
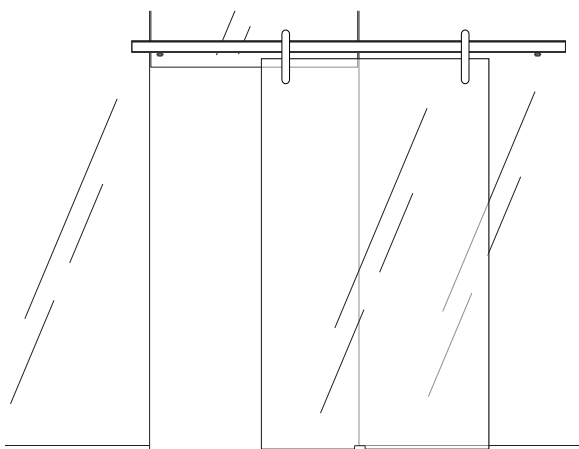
- ❶ Ensure that glass door panel(s) conform to CRL's glass product specifications.
- ❷ Confirm hole placement, sizing, and overall preparation per CRL's glass panel specifications.
- ❸ Inspect glass for any defects, including but not limited to chips, deformations, and irregularly shaped holes.

**⚠** Do not install defective glass. Any glass defect is a safety hazard and requires replacement prior to installation.



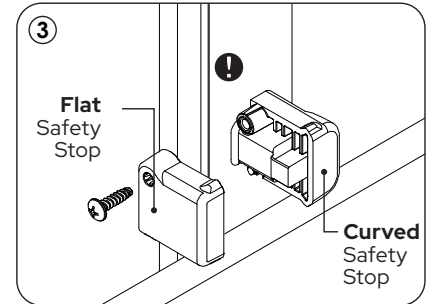
## 18. ATTACH TROLLEYS TO DOOR PANEL

- ❶ Attach the trolleys using the provided fasteners ensuring that the trolleys are parallel to the vertical edges of the door panel.
- ❷ Included glass bushings must be used in all installations.
- ❸ Using a torque wrench, tighten fasteners to 108 inch-lbs (9 ft-lbs).
- ❹ Carefully hang your door panel(s).
- ❺ Do not yet install your door pulls or other door hardware.

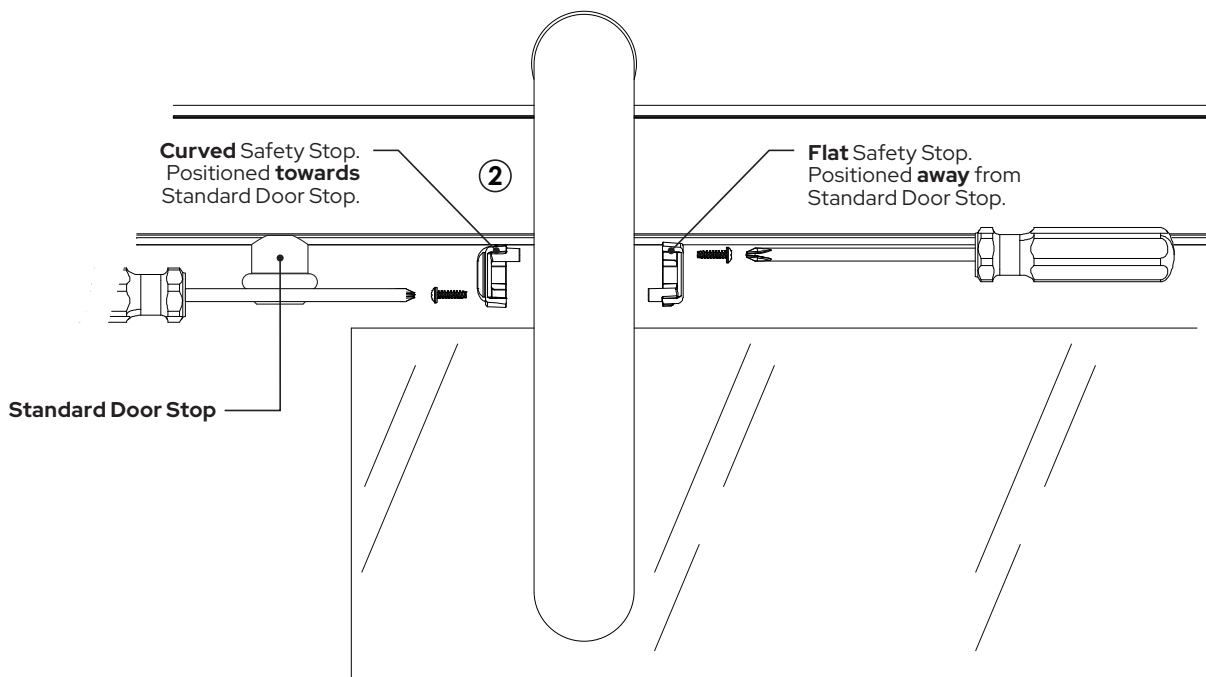


## 19. INSTALL SAFETY STOPS

- ① Remove protective cap from trolley post.
  - ② For **Standard Door Stop** installation, place curved safety stops towards door stops, and flat safety stops away from door stops as shown. For **Premium Door Stop** installation, reference separately provided installation instructions.
  - ❗ Ensure the first safety stop is fully seated and properly aligned so that half of the trolley post is completely covered by the safety stop.
  - ③ Slide the second safety stop over the other side of the post.
  - ❗ Ensure that both safety stops are aligned and fully seated.
  - ④ Thread provided screws into both sides of the safety stops using a #2 Phillips Screw Driver and lightly tighten.
  - ⑤ Repeat above steps for second trolley with reverse safety stop positions.
- NOTE:** Keep the protective caps and reuse when removing and rehangng door panel to prevent damage to the track.

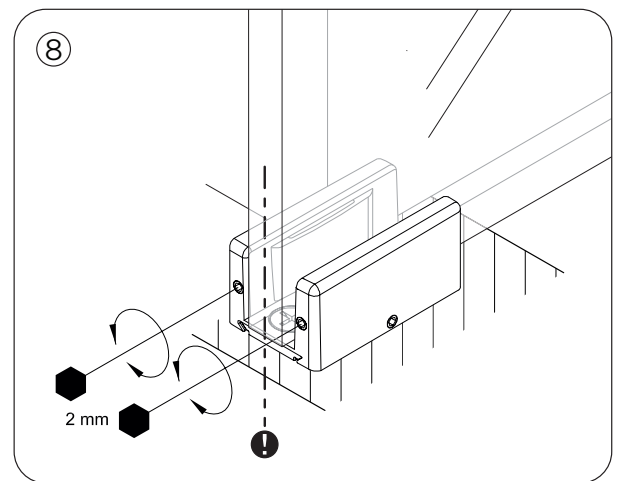
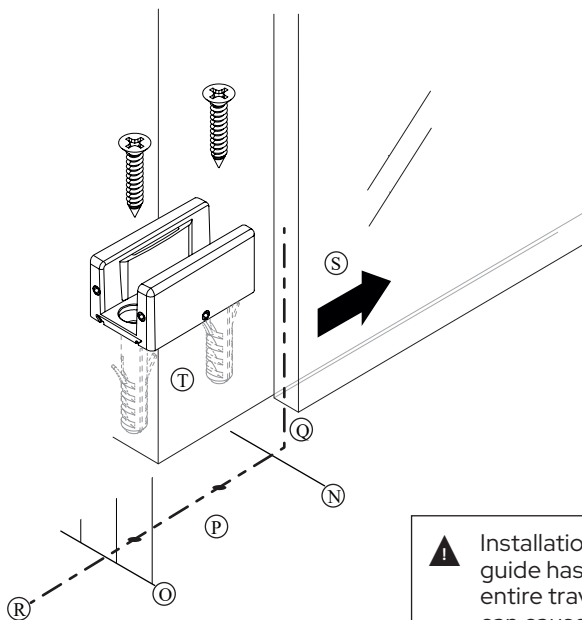


⚠ Not correctly installing safety stops can result in the door panel derailing during normal use which can cause damage and a safety hazard.



20. INSTALL FLOOR GUIDE

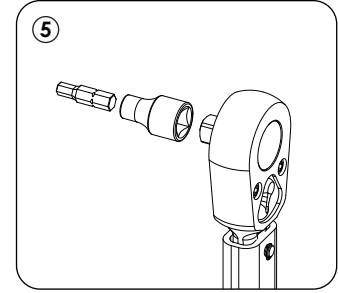
- ① With the door panel in the desired closed position, mark the leading edge of the door panel on the floor.
- ② With the door panel in the desired open position, mark the trailing edge of the door panel on the floor.
- ③ Minimum required door panel overlap is 2". Adjust door travel if needed.
- ④ Confirm that the gap between floor and door panel is sufficient for the floor guide in the overlap area.
- ⑤ With the door panel hanging plumb, mark the door panel centerline.
- ⑥ Temporarily move the door panel beyond the desired fully open position, revealing the overlap area for floor guide install.
- ⑦ Mark, pilot drill and install the floor guide in the overlap area along the door panel centerline.
- ❗ Dependant upon wall condition, floor guide may need to be installed in the door opening.
- ❗ Provided fasteners and expansion anchors are not suitable for all types of floors. Caulking or sealing of floor penetrations may be required by code.
- ⚠ If installation does not allow the door panel to be moved beyond the overlap area, carefully tilt the door panel away from the wall and first install floor guide mount plate only. Then with door panel in plumb position, slide the floor guide onto mount plate and door panel and secure set screws. Ensure that floor guide location provides access to both guide mount plate set screws after installation.
- ⑧ Adjust the floor guide to the thickness of the door panel using the vprovided 2mm Allen wrench. Ensure that the door panel remains plumb.



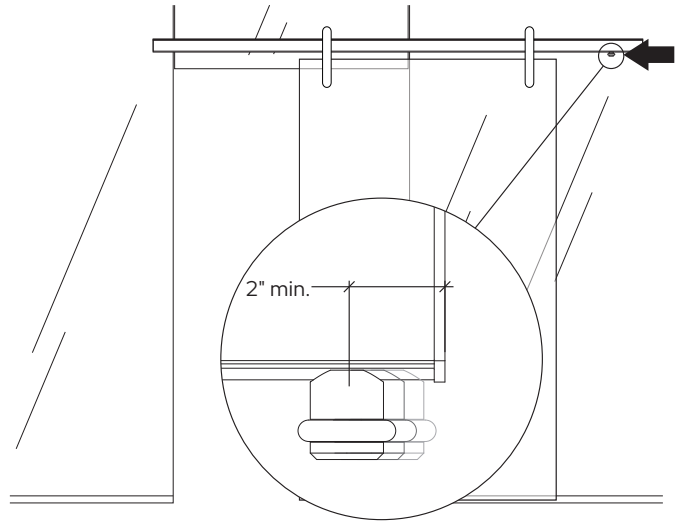
⚠ Installation of a floor guide is required. Floor guide has to fully engage door panel along its entire travel. Not following these instructions can cause damage and a safety hazard.

## 21. SET DOOR TRAVEL

- ① With the door in the desired open position, slide the door stop until it touches the safety stop of the nearby trolley.
- ❶ Note any protruding door pulls.
- ② Repeat with the door in the closed position, sliding the door stop until it touches the safety stop of the nearby trolley.
- ❶ Verify that the floor guide is properly engaged in both the fully open and fully closed positions.
- ③ Tighten all door stop fasteners in place by hand.
- ❶ Note 2" minimum distance from track end.
- ④ Confirm that door stop locations have not shifted while tightening. Readjust if needed.
- ⑤ Using a torque wrench, tighten fasteners to 110 inch-lbs (9.5 ft-lbs).



⚠ Not tightening door stops to provided specs can cause the door to slide off the end of the track and cause damage and a safety hazard.



## 22. CARE AND MAINTENANCE

- ❶ Latitude 34° products require routine care and maintenance. Read and understand these requirements in our Product Care & Maintenance guide.
- ① Thoroughly clean product and remove all debris and fingerprints immediately after installation as described in our Product Care & Maintenance guide.

⚠ Not properly following the Care & Maintenance guide can cause excessive wear and degrade product performance over time.

Visual product representations herein may differ from the actual products. Components and details are subject to improvement changes.