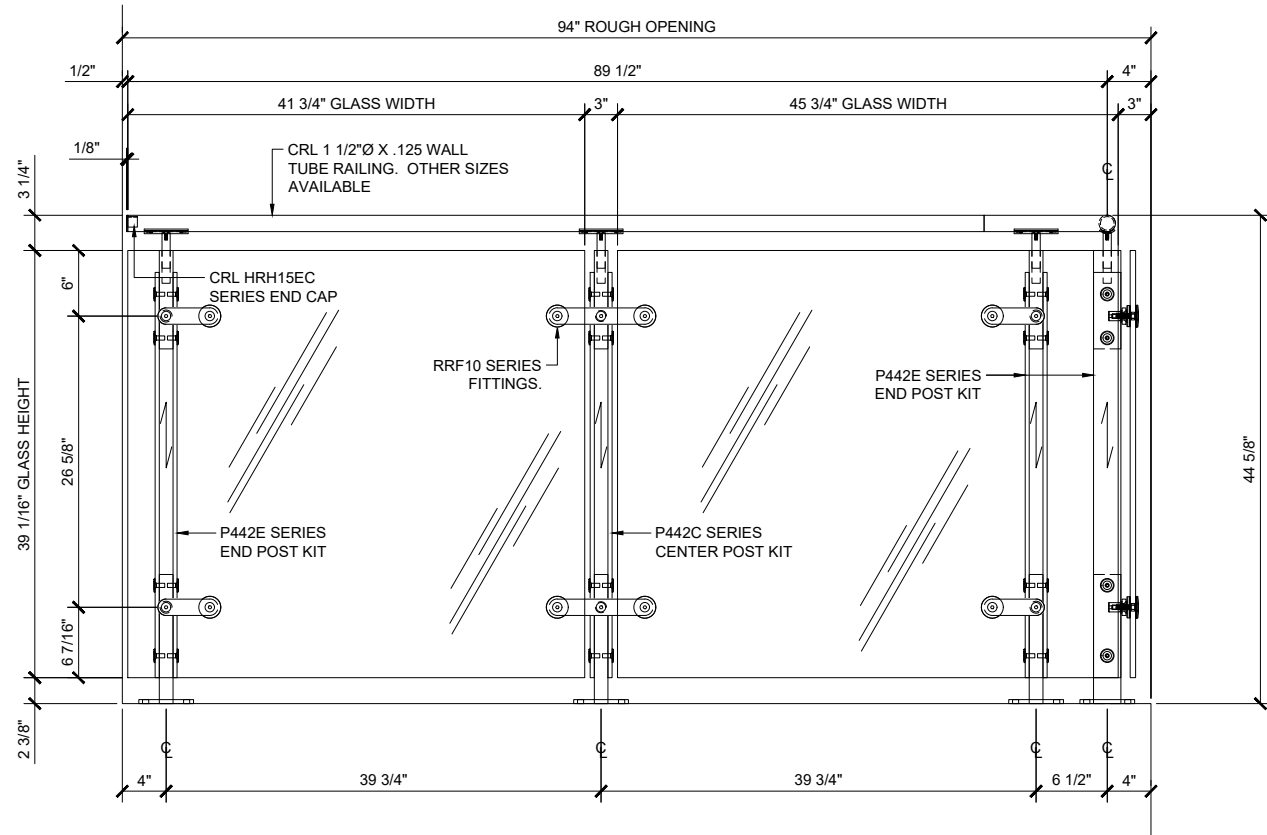


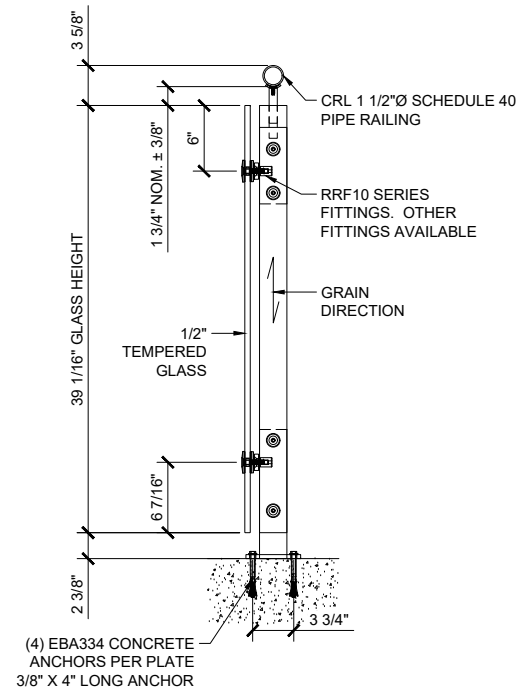
# CRL P4 SERIES POST RAILING SYSTEM

- \* DESIGNED TO ACCEPT 1/2" TO 27/32" TEMPERED GLASS
- \* TOP SADDLE SUPPORTS 1 1/4"Ø (1.66" O.D.) & 1 1/2"Ø (1.90" O.D.) SCHEDULE 40 PIPE RAILING AND 1 1/2"Ø O.D. TUBE RAILING
- \* 36" AND 42" STANDARD POST HEIGHTS WITH CUSTOM HEIGHTS AVAILABLE
- \* TWO STANDARD STAINLESS STEEL FINISHES BRUSHED OR POLISHED WITH CUSTOM POWDER PAINT FINISHES ALSO AVAILABLE
- \* VERTICALLY ADJUSTABLE TOP SADDLE



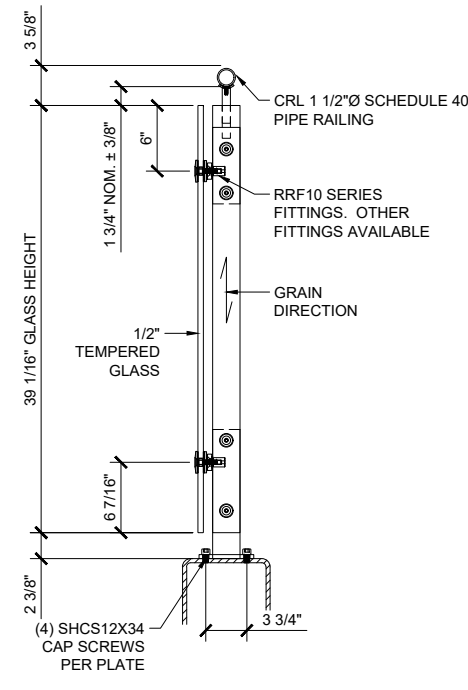
**TYPICAL ELEVATION**

SCALE: 1 1/2"=1'-0"



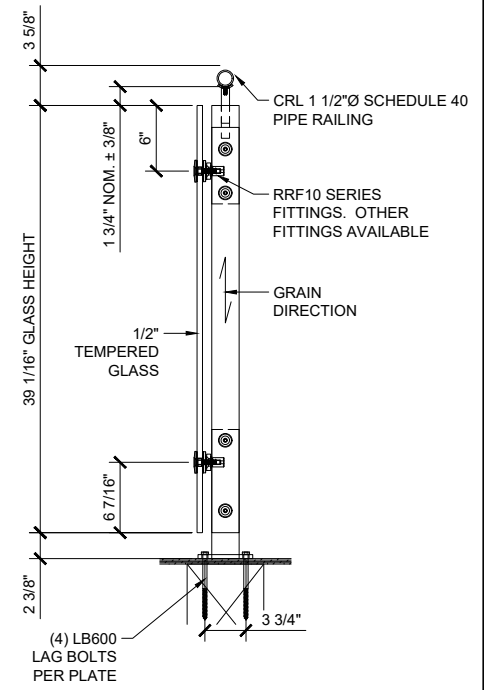
**CONCRETE MOUNT**

SCALE: 1 1/2"=1'-0"



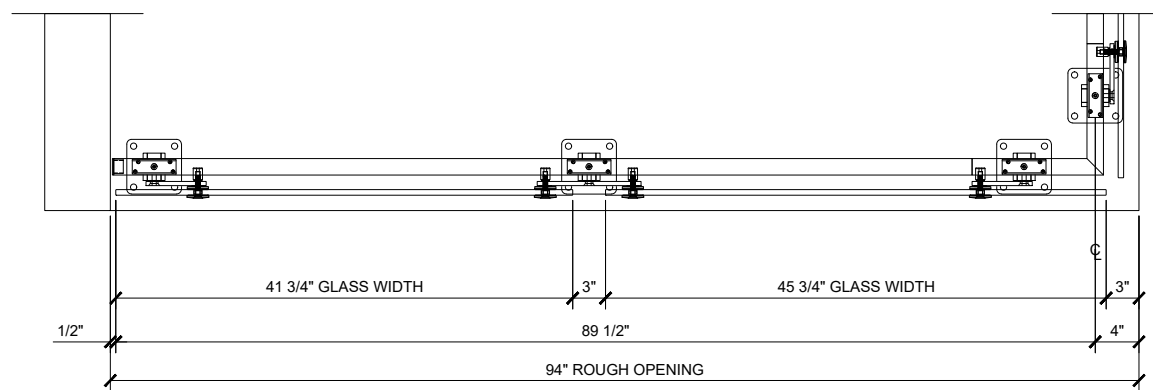
**STEEL MOUNT**

SCALE: 1 1/2"=1'-0"



**WOOD MOUNT**

SCALE: 1 1/2"=1'-0"



**TYPICAL PLAN VIEW**

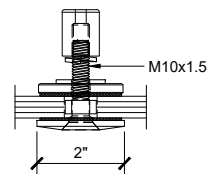
SCALE: 1 1/2"=1'-0"

Revisions By:

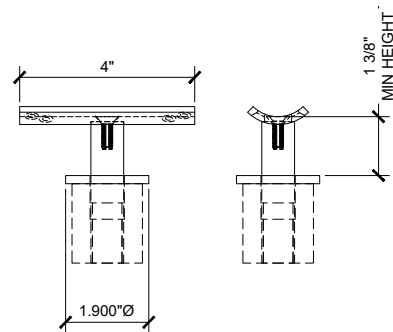
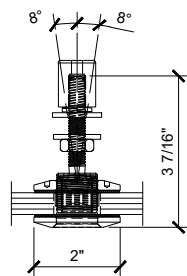


Description:  
CRL P4 SERIES  
POST RAILING SYSTEMS  
SYS0071D

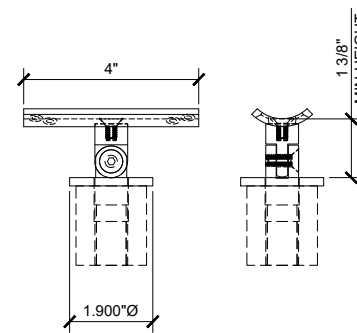
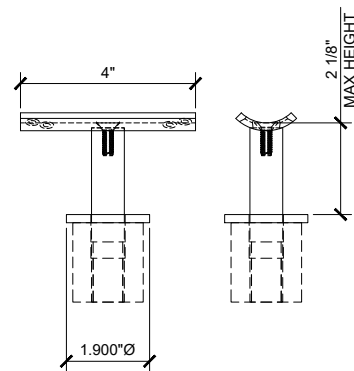
Drawn By: SDH  
Date: 03/08/2017  
Scale: AS NOTED  
File Name:  
SYS071D P4 Series Stainless Steel Post Railing Systems  
Sheet



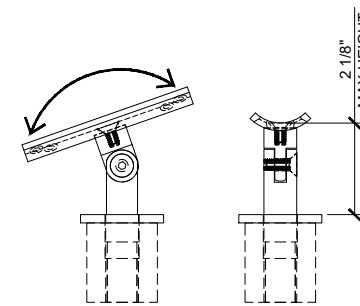
**RRF10 CAP MOUNT FITTING**  
TOP VIEW 6"=1'-0"



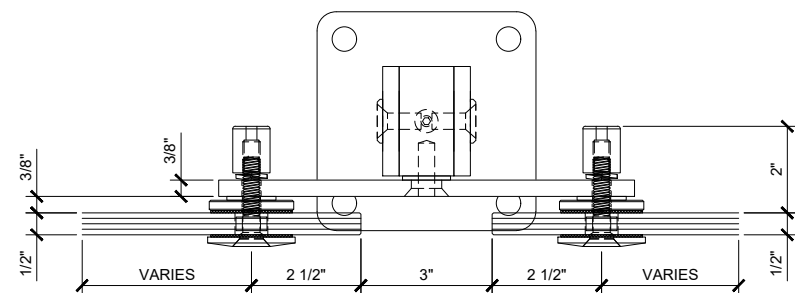
**P7VF W/PRS1**  
STANDARD VERTICAL ADJ  
STANDOFF SADDLE 6"=1'-0"



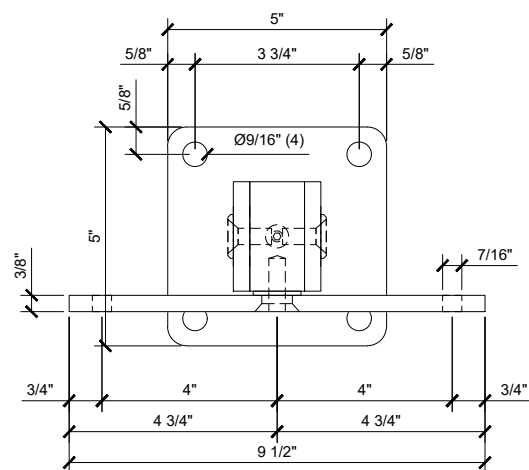
**P7VF W/PRS1**  
OPTIONAL VERTICAL / SWIVEL  
STANDOFF SADDLE 6"=1'-0"



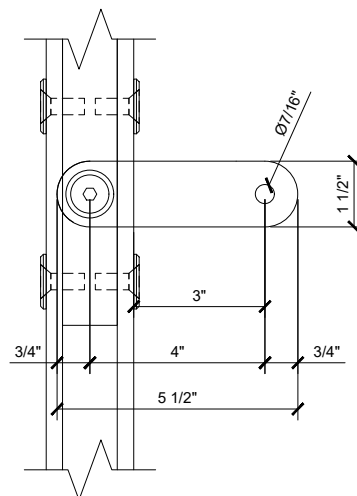
**RSF10 CAP MOUNT FITTING**  
TOP VIEW 6"=1'-0"



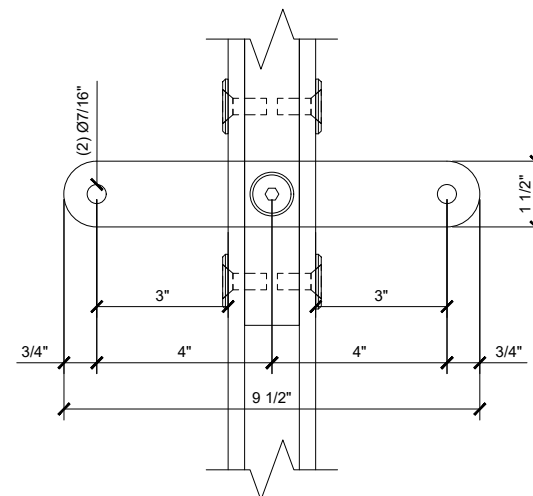
**RRF10 MOUNT FITTING W/ FLANGE DETAIL**  
TOP VIEW 6"=1'-0"



**FLANGE DETAIL**  
TOP VIEW 6"=1'-0"



**END MOUNT POST DETAIL**  
TOP VIEW 6"=1'-0"



**MIDDLE MOUNT POST DETAIL**  
TOP VIEW 6"=1'-0"

Revisions By:



Description:  
CRL P4 SERIES  
POST RAILING SYSTEMS  
SYS0071D

Drawn By: SDH  
Date: 03/08/2017  
Scale: AS NOTED  
File Name: SYS071D P4 Series Stainless Steel Post Railing Systems