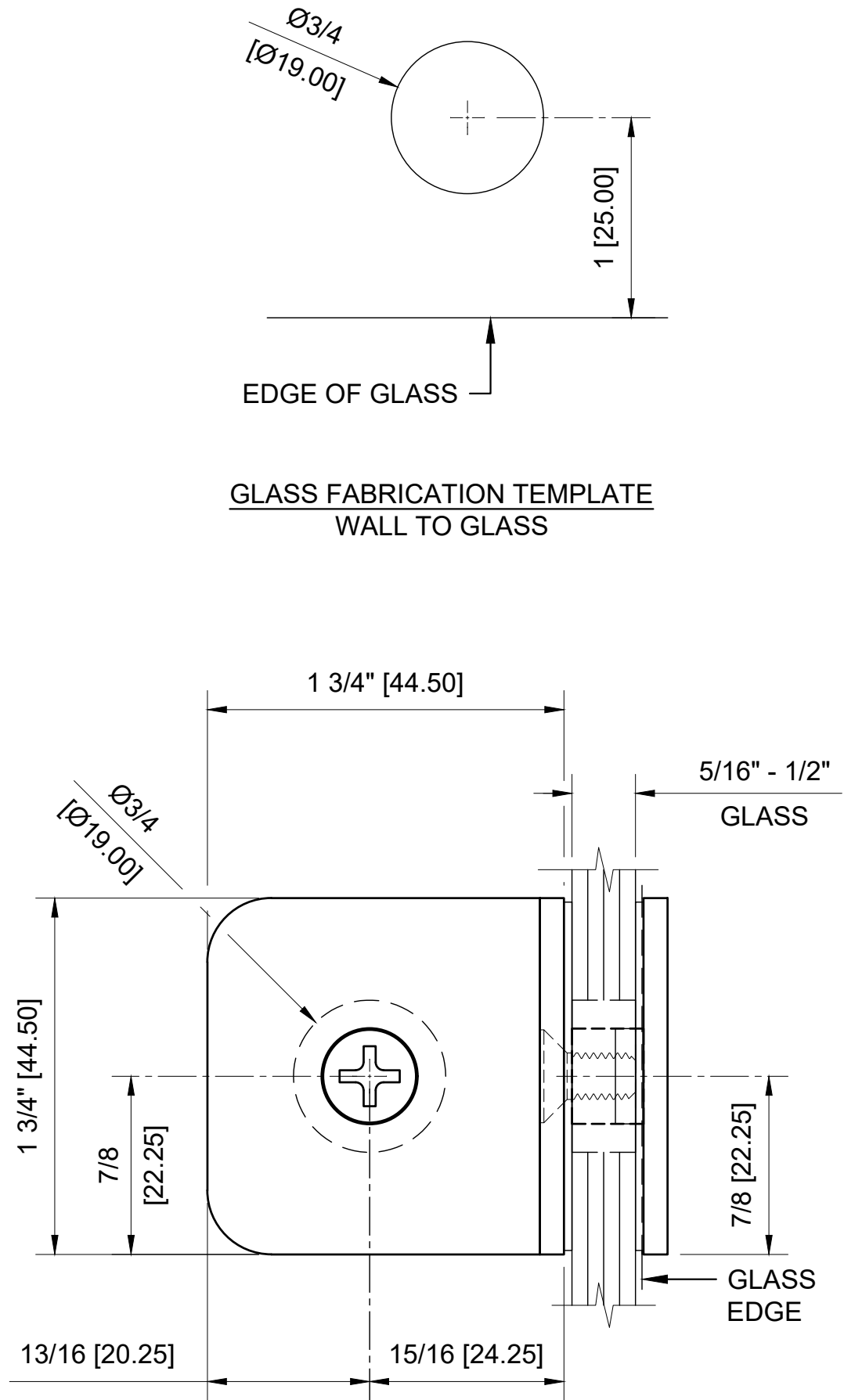
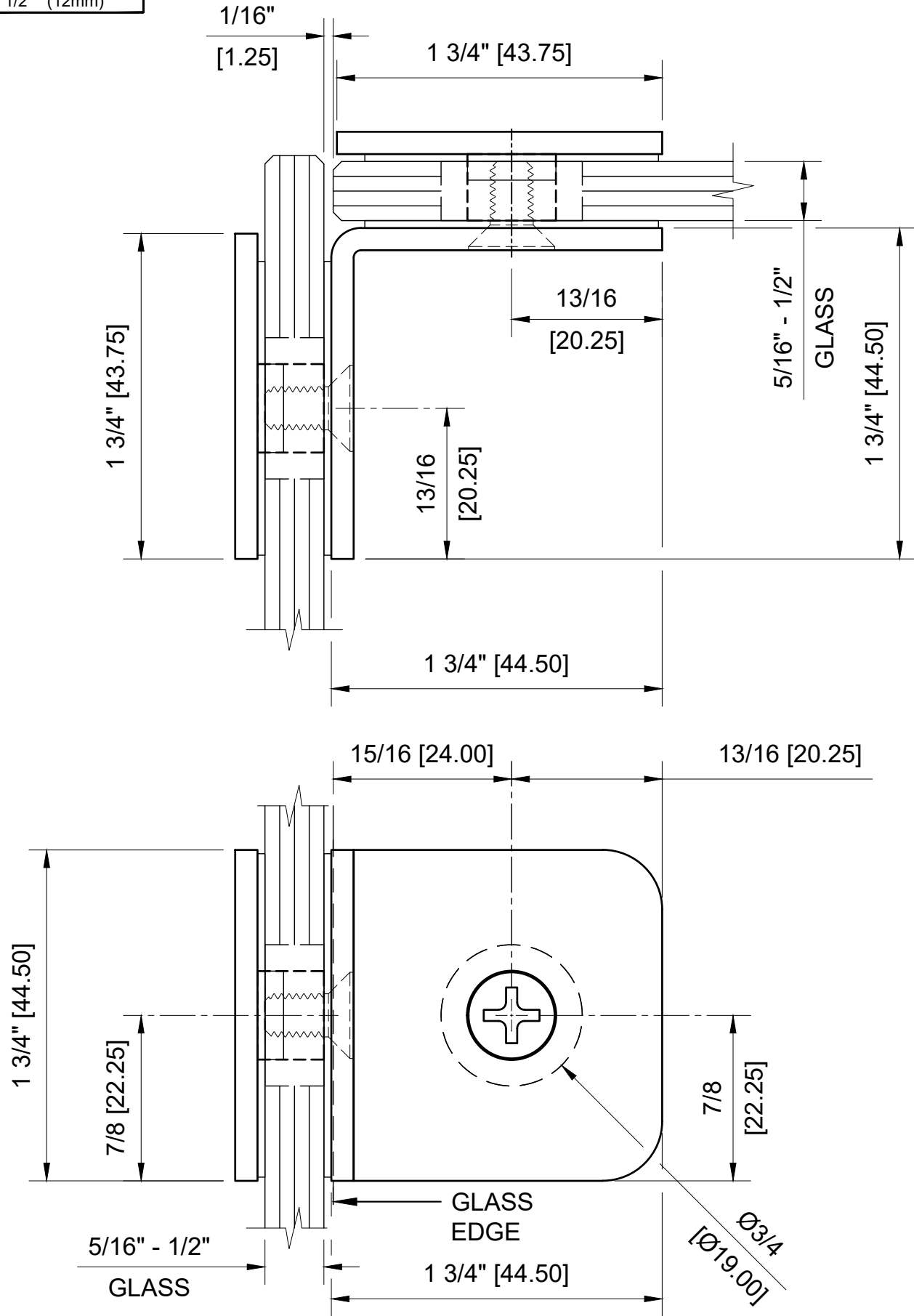


GLASS: 5/16" (8mm)
GLASS: 3/8" (10mm)
GLASS: 1/2" (12mm)



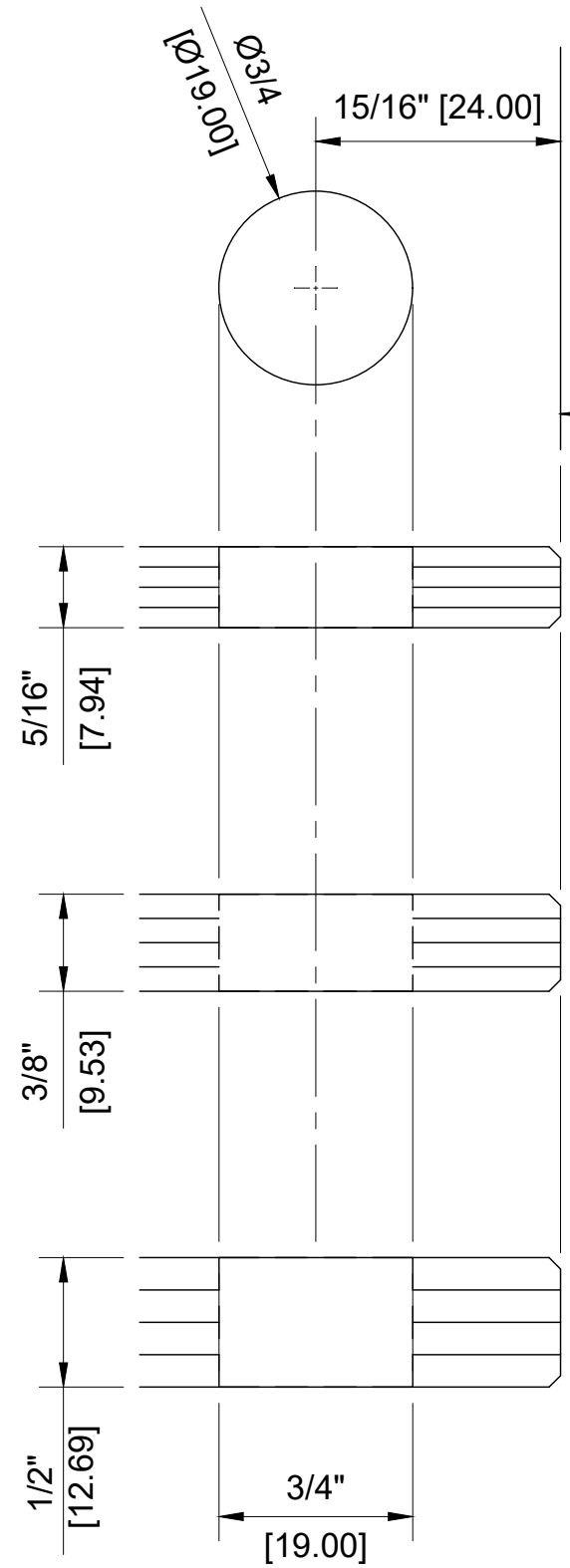
CRL - GCB90 TRADITIONAL STYLE 90° GLASS TO WALL OR GLASS TO GLASS CLAMP FOR 5/16" - 1/2" GLASS

DATE: 10-13-2020
SCALE: 1'-0"=1'-0"
DRAWN BY: VM

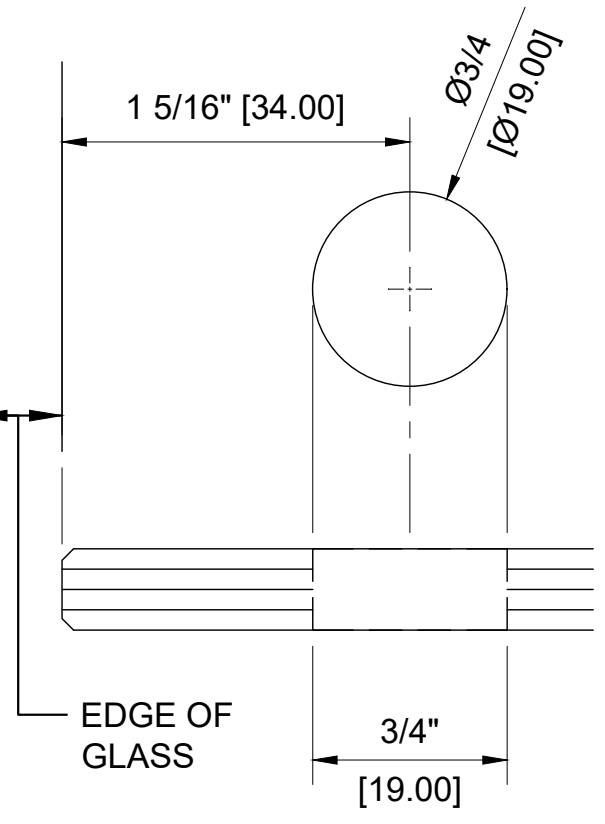
DESCRIPTION: CRL - GCB90
STANDARD 90° GLASS CLAMP

C.R. LAURENCE CO. ARCHITECTURAL PRODUCTS  
 2503 E. Vernon Avenue, Los Angeles, CA 90058-1897  
 PH (800)-421-6144 FX: 800-587-7501 www.crlaurence.com

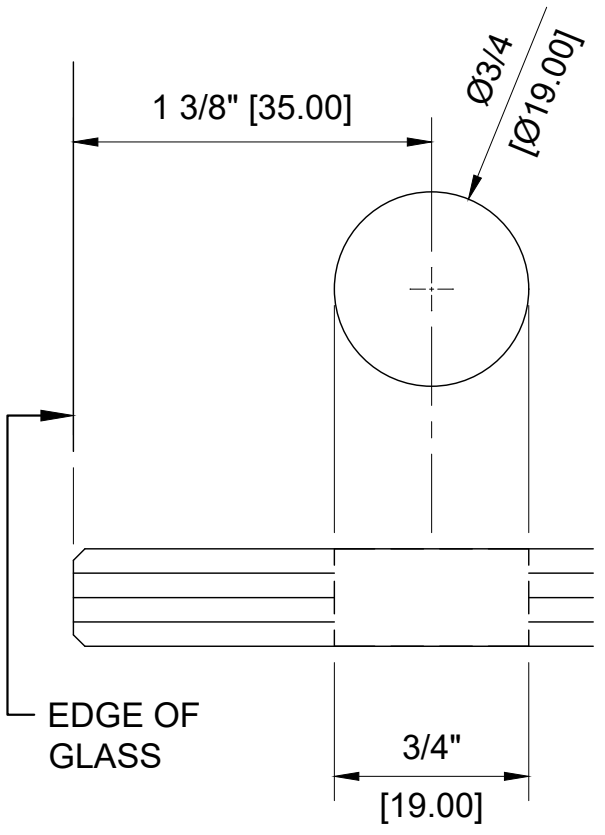




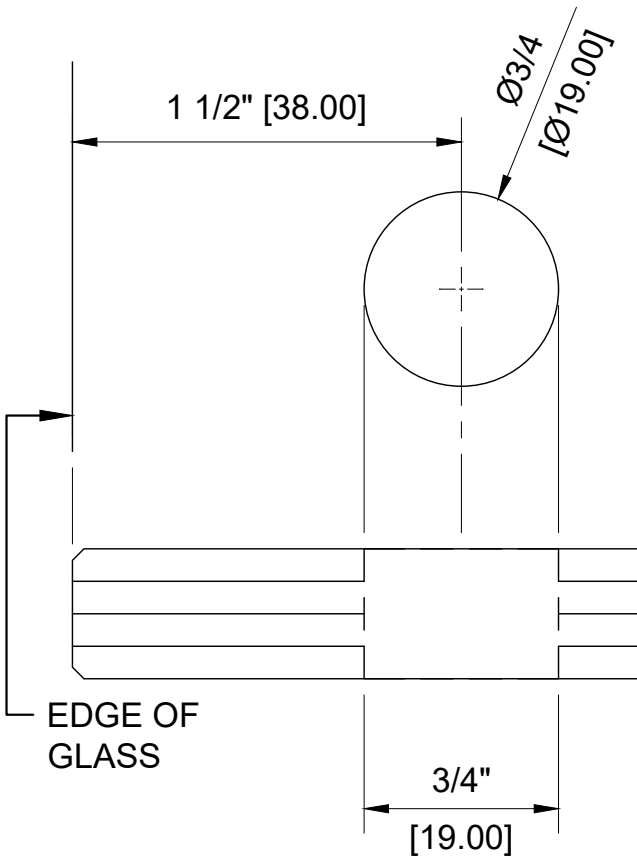
"A" - 5/16"-1/2"  
GLASS TO GLASS OVERLAP  
GLASS FABRICATION TEMPLATE




"B" - 5/16"  
GLASS TO GLASS OVERLAP  
GLASS FABRICATION TEMPLATE

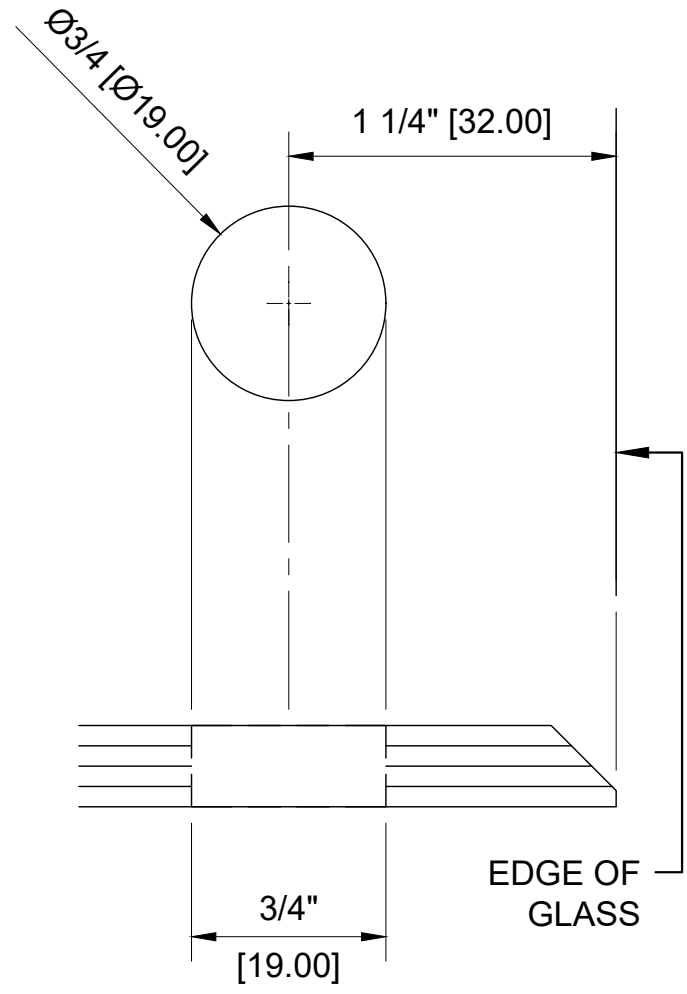


"B" - 3/8"  
GLASS TO GLASS OVERLAP  
GLASS FABRICATION TEMPLATE

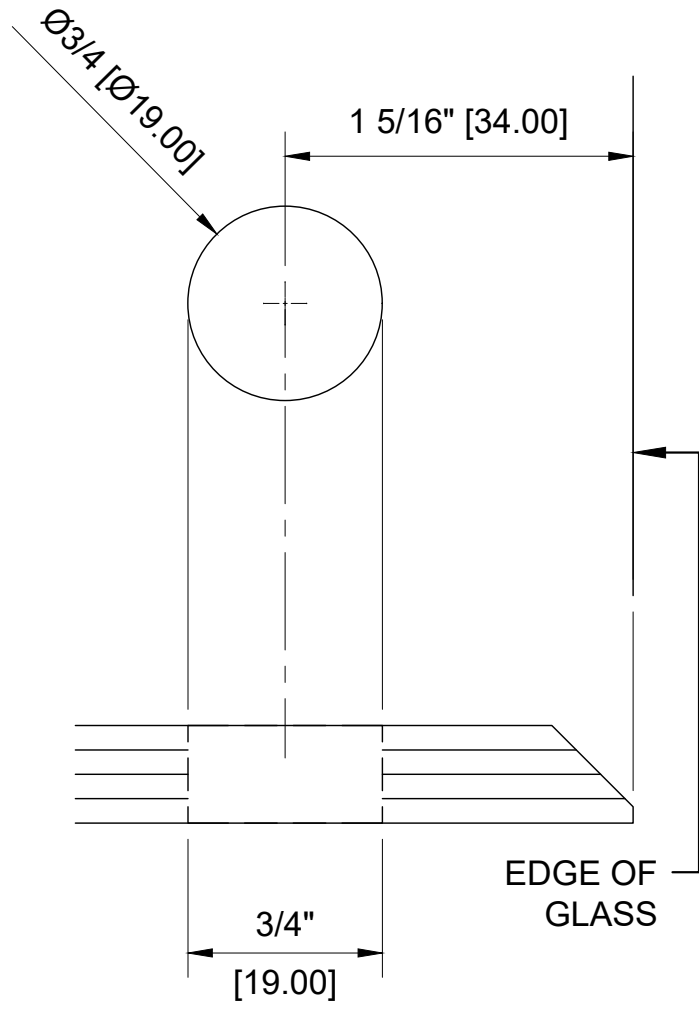


"B" - 1/2"  
GLASS TO GLASS OVERLAP  
GLASS FABRICATION TEMPLATE

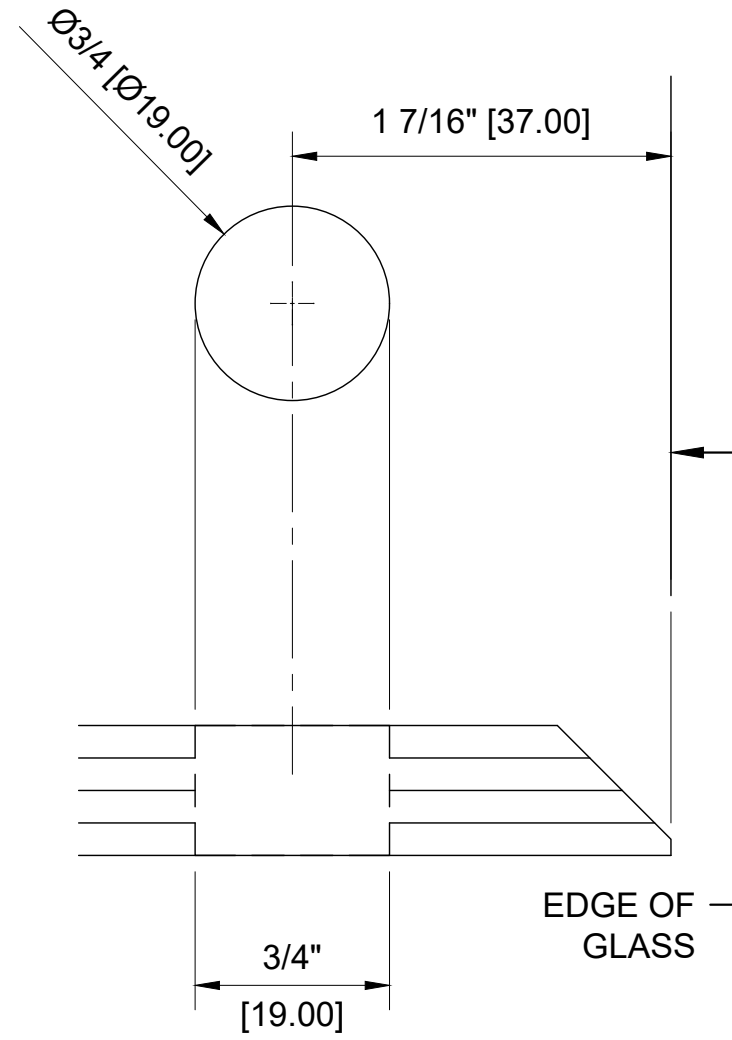
	C.R. LAURENCE CO. ARCHITECTURAL PRODUCTS 2503 E. Vernon Avenue, Los Angeles, C.A. 90058-1897 PH (800)-421-6144 FX: 800-587-7501 www.crlaurence.com		DATE: 10-13-2020 SCALE: 1'-0"=1'-0" DRAWN BY: VM
	DESCRIPTION: CRL - GCB90 STANDARD 90° GLASS CLAMP		



"C" - 5/16"  
GLASS TO GLASS 45° MITERED  
GLASS FABRICATION TEMPLATE



"C" - 3/8"  
GLASS TO GLASS 45° MITERED  
GLASS FABRICATION TEMPLATE



"C" - 1/2"  
GLASS TO GLASS 45° MITERED  
GLASS FABRICATION TEMPLATE

DATE: 10-13-2020  
 SCALE: 1'-0"=1'-0"  
 DRAWN BY: VM

DESCRIPTION: CRL - GCB90  
 CTS  
 STANDARD 90° GLASS CLAMP

C.R. LAURENCE CO. ARCHITECTURAL PRODUCTS  
 2503 E. Vernon Avenue, Los Angeles, CA 90058-1897  
 PH (800)-421-6144 FX: 800-587-7501 www.crlaurence.com

