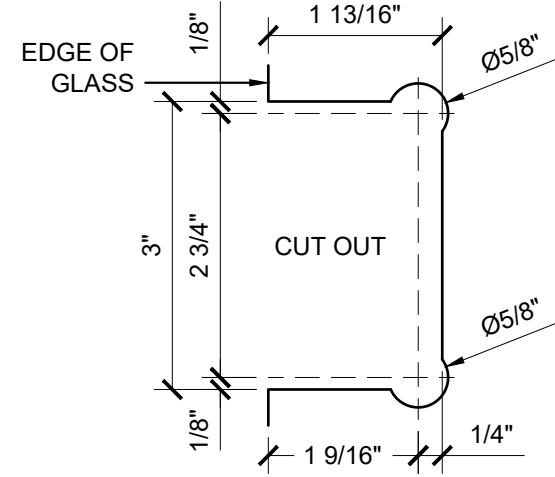
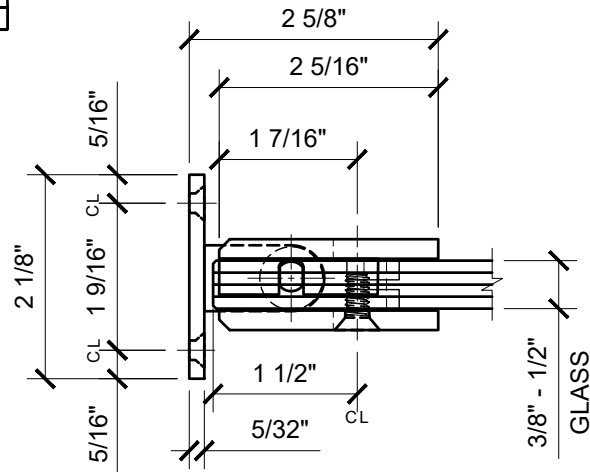
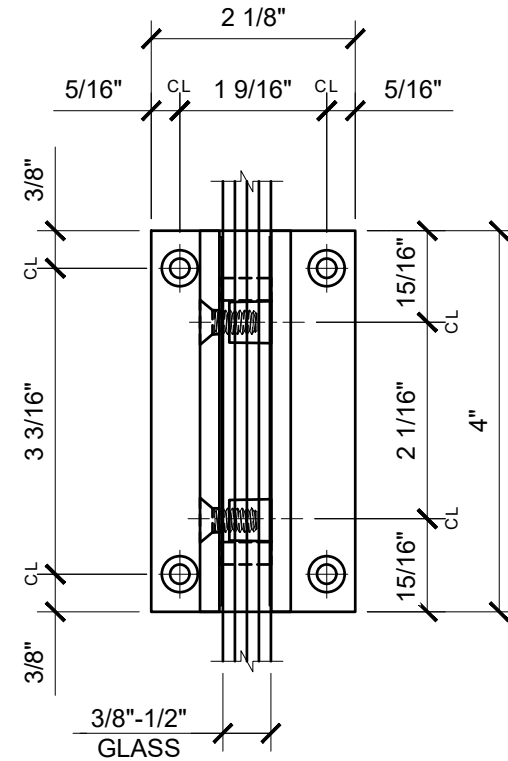
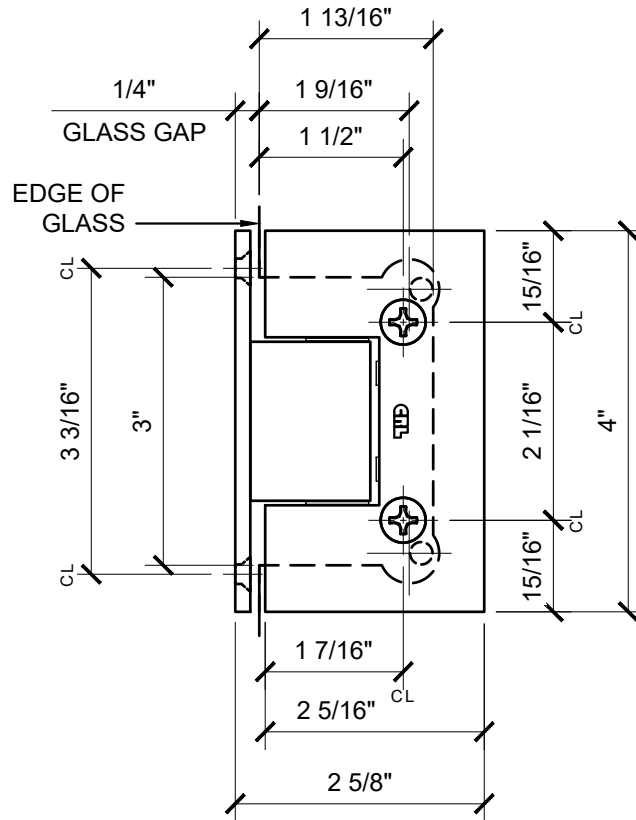


USE OF GASKETS

FOR 3/8" (10mm) GLASS: USE ONE THICK GASKET ON EACH SIDE
 FOR 1/2" (12mm) GLASS: USE ONE THIN GASKET ON EACH SIDE



GLASS FABRICATION TEMPLATE



V1E067XX - CRL VIENNA SERIES WALL MOUNT FULL BACK PLATE HINGE

CATALOG NUMBER	FINISH
V1E067CH	CHROME
V1E067MBL	MATTE BLACK
V1E067BR	BRASS
V1E0670RB	OIL RUBBED BRONZE
V1E067ABC0	ANTIQUE BRUSHED COPPER
V1E067ABL	ALL BLACK
V1E067ABN	ANTIQUE BRUSHED NICKEL
V1E067ABR	ANTIQUE BRASS
V1E067ABRZ	ANTIQUE BRONZE
V1E067AW	ALL WHITE
V1E067BBRZ	BRUSHED BRONZE
V1E067BC0	BRUSHED COPPER
V1E067BL	BLACK W/ CHROME ACCENTS
V1E067BN	BRUSHED NICKEL
V1E067BSC	BRUSHED SATIN CHROME
V1E067CBA	CHROME W/ BRASS ACCENTS
V1E067GM	GUN METAL
V1E067GB	GOLD PLATED
V1E067PN	POLISHED NICKEL
V1E067SB	SATIN BRASS
V1E067SC	SATIN CHROME
V1E067SN	SATIN NICKEL
V1E067WC	WHITE W/ CHROME ACCENTS

DATE: 11/22/17
 SCALE: 6"=1'-0"
 DRAWN BY: VM

DESCRIPTION: CRL V1E067 —
 VIENNA SERIES POSITIVE CLOSE
 WALL MOUNT FULL BACK PLATE HINGE

C.R.LAURENCE CO. ARCHITECTURAL PRODUCTS
 2503 E. Vernon Avenue, Los Angeles, C.A 90058-1897
 PH (800)-421-6144 FX: 800-587-7501 www.crlaurence.com

