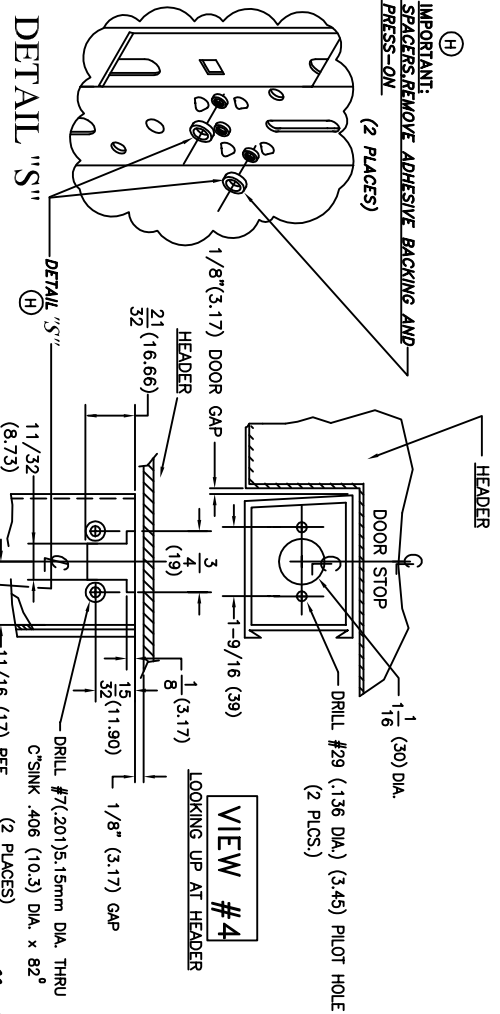
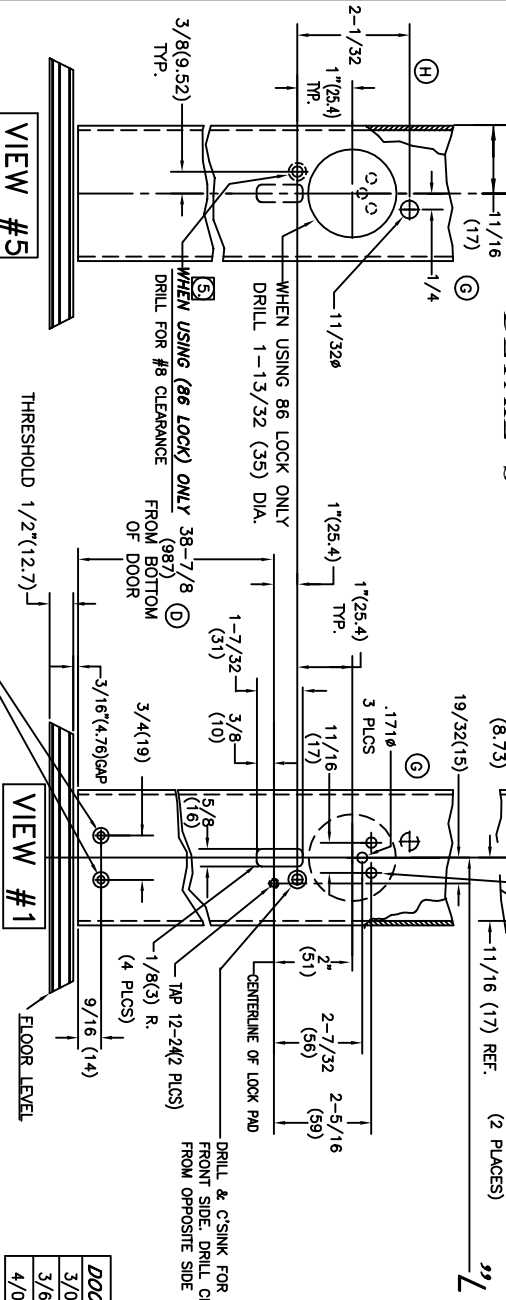


IMPORTANT:
SPACERS, REMOVE ADHESIVE BACKING AND PRESS-ON (2 PLACES)

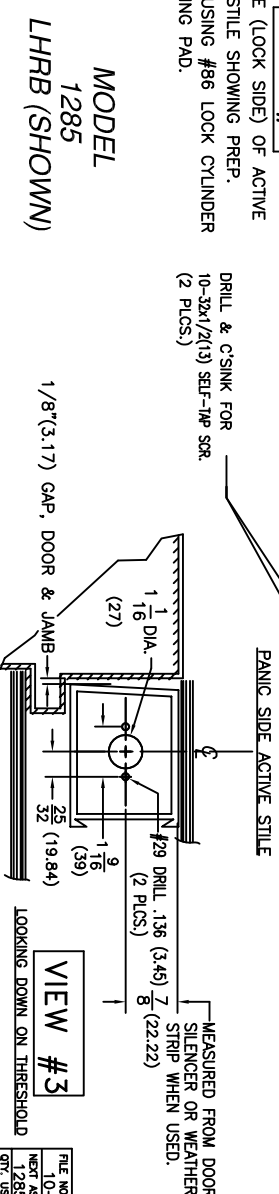
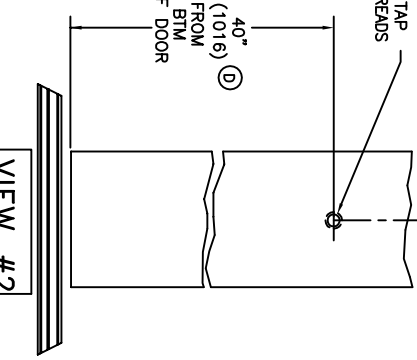


ROUTING INSTRUCTIONS:

1. PREPARE INSIDE FACE (PANIC SIDE) OF ACTIVE STYLE PER VIEW #1 & TEMPLATE 10-942.
2. PREPARE INSIDE FACE (PANIC SIDE) OF HINGE STYLE PER VIEW #2 & TABLE "A".
3. PREPARE THRESHOLD PER VIEW #3.
4. PREPARE HEADER PER VIEW #4.
5. IF CYLINDER OR TRIM IS BEING USED, SEE DRILL TEMPLATE NO. 10-956 OR 10-987 WITH TRIM AS APPROPRIATE.
6. FOR MOUNTING AND ADJUSTMENTS OF THE 1285 SEE OPPOSITE SIDE THIS PAGE.
(DWG. 10-941 SHEET 1 OF 2)



DOOR	"L"
3/0	32-29/32(836)
3/6	38-29/32(988)
4/0	44-29/32(1141)



FILE NO. 10-941-2	HEAT ASSY. 1285-KITS	QTY. USED
<p>ROUTING INSTRUCTIONS 1285 CVR PANIC DEVICE</p>		
<p>10-941-2 SHEET 2 OF 2 SHEETS REV.</p>		

Jackson CORPORATION
344 LYNN AVENUE, INC. 80003
228 ANDREWS, OAKRIDGE, GA 30024

MODEL
1285
LHRB (SHOWN)

OUTSIDE (LOCK SIDE) OF ACTIVE DOOR STYLE SHOWING PREP. WHEN USING #86 LOCK CYLINDER MOUNTING PAD.

DRILL & C'SINK FOR 10-32x1/2(13) SELF-TAP SCR. (2 PLCS.)

MEASURED FROM DOOR STOP, STRIP WHEN USED.

H 3.814 ADD DETAIL 'S' FOR UPPER PANIC HD. SCR. AND REDUCE SPACERS
G 04/19/02 REVERSE VIEW/TEMPLATE UPPER C'SINK VIEW (REMOVE C'SINK AND HIDDEN LINE) ECH1571 RM
F 12/06/01 REF. SHIT 2 OF 2
DIMENSIONAL TOLERANCES APPROVED DATE
DECIMAL DIMENSIONS SPECIFIED CHECKED RM 6/9/99
DIMENSIONAL TOLERANCES APPROVED DATE
DECIMAL DIMENSIONS SPECIFIED CHECKED RM 6/9/99
MATERIAL FINISH SCALE NONE