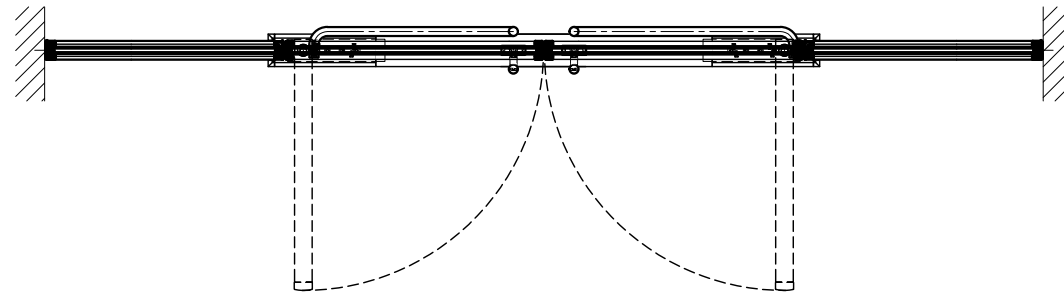
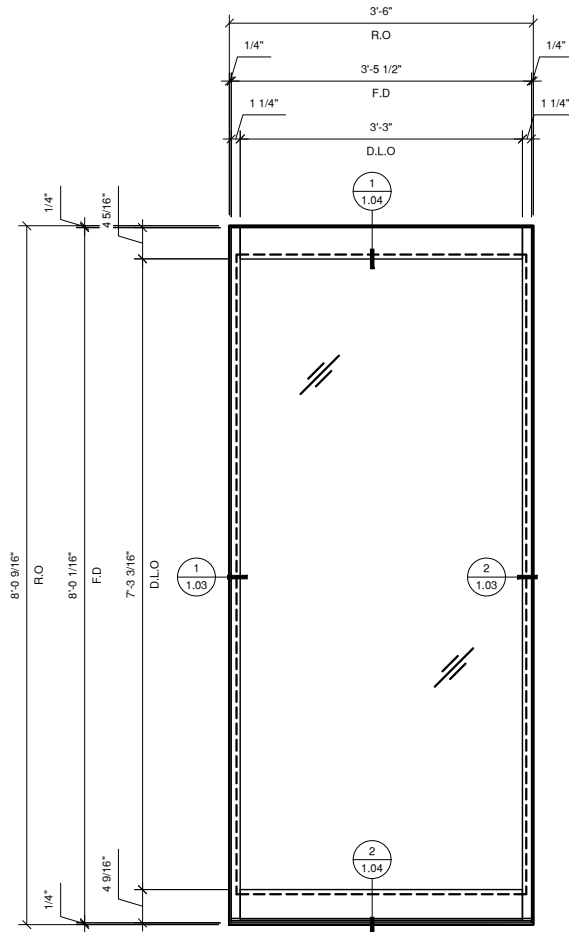


ENTICE SERIES ENTRANCE SYSTEM SA & DU - CENTER HUNG DOUBLE DOOR WITH 4 INCH BOTTOM RAIL AND SIDELIGHTS

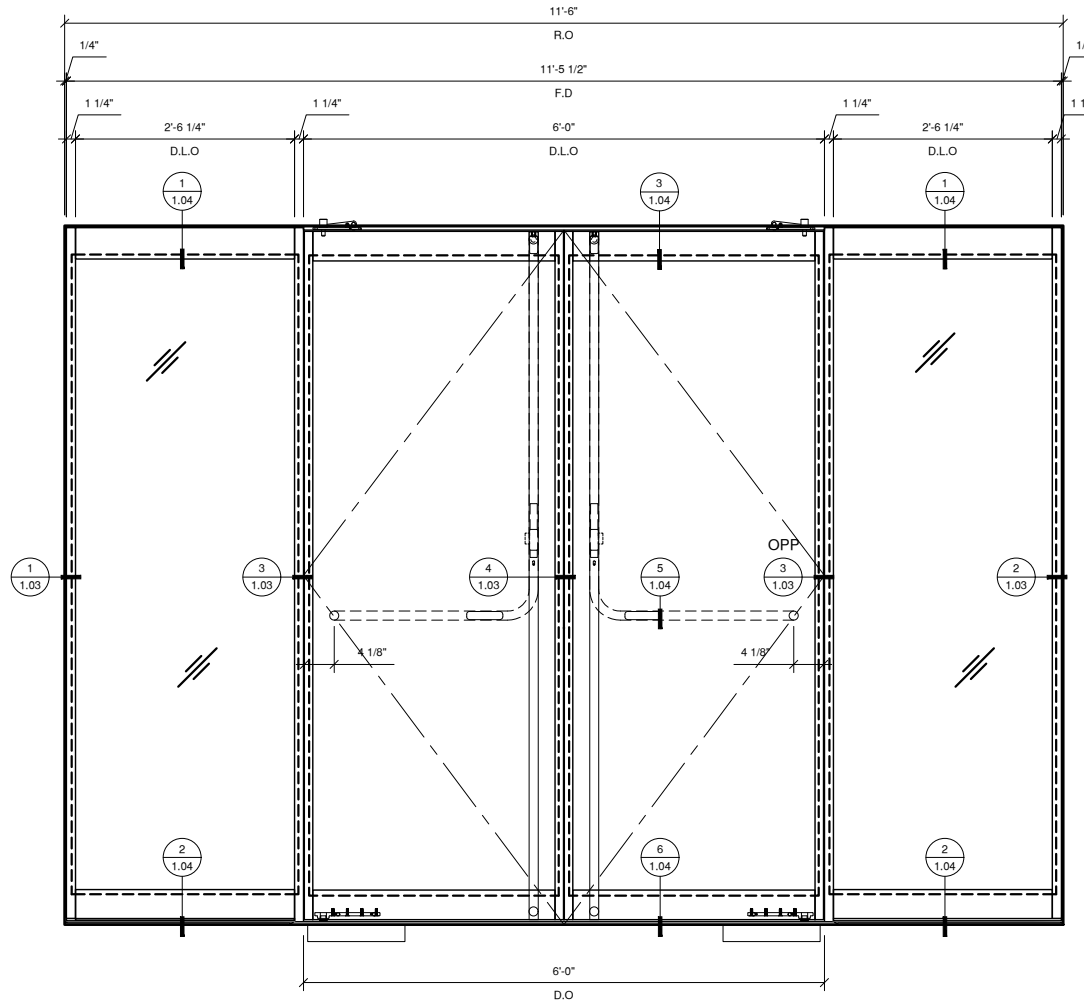


1 PLAN
1" = 1'-0" ARCH. REF.: N/A

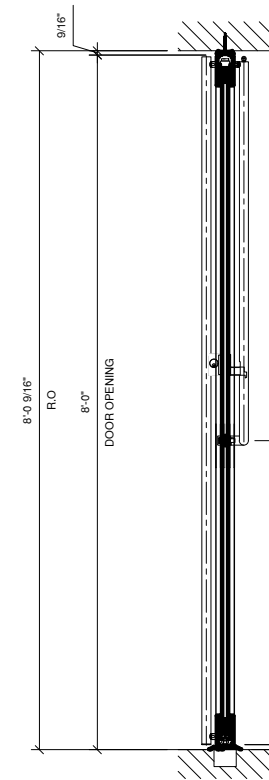
3 PLAN: CENTER HUNG
1" = 1'-0" ARCH. REF.: N/A



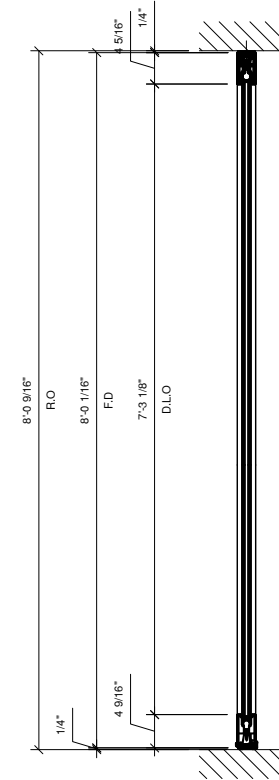
2 EXTERIOR ELEVATION
1" = 1'-0" ARCH. REF.: N/A



4 EXTERIOR ELEVATION
1" = 1'-0" ARCH. REF.: N/A



5 DOOR SECTION
1" = 1'-0" ARCH. REF.: N/A



6 SIDELIGHT SECTION
1" = 1'-0" ARCH. REF.: N/A

Revisions By:

CRL.

2003 E. Vernon Avenue, Los Angeles, CA 90008-1877
PH (800)-421-6144 FX (805)-297-7301 www.crl.com

Description:
ENTICE SERIES
ENTRANCE SYSTEM
CLAD IN
ALUMINUM FINISHES

Drawn By: RPD

Date: 01/28/20

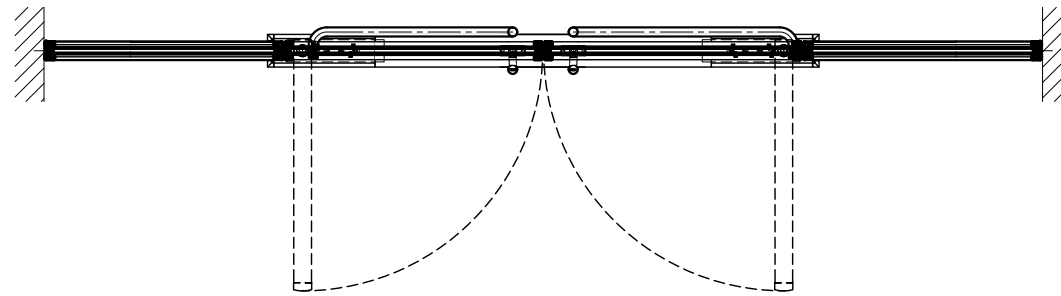
Scale: AS NOTED

File Name:

Entice Entrance System SA, DU.dwg

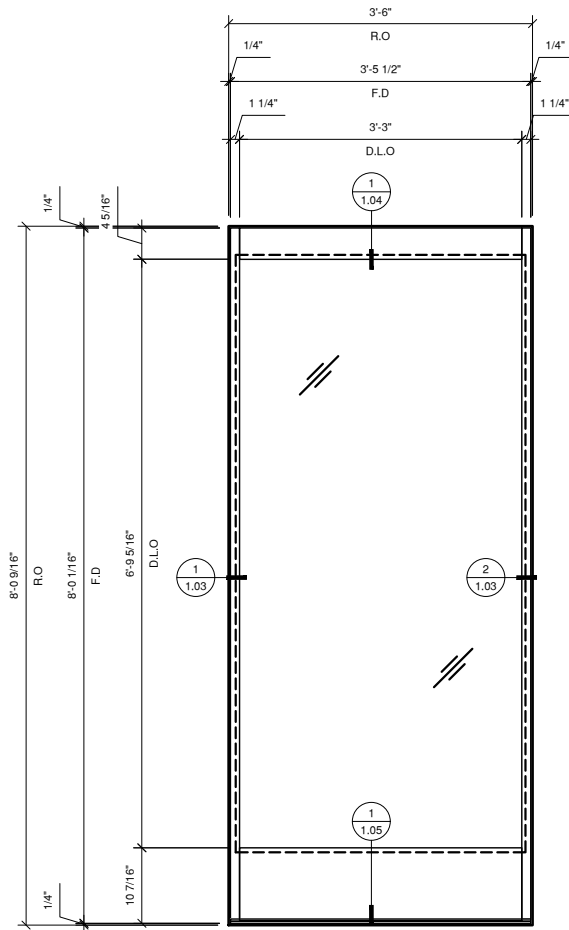
Sheet

ENTICE SERIES ENTRANCE SYSTEM SA & DU - CENTER HUNG DOUBLE DOOR WITH 10 INCH BOTTOM RAIL AND SIDELIGHTS

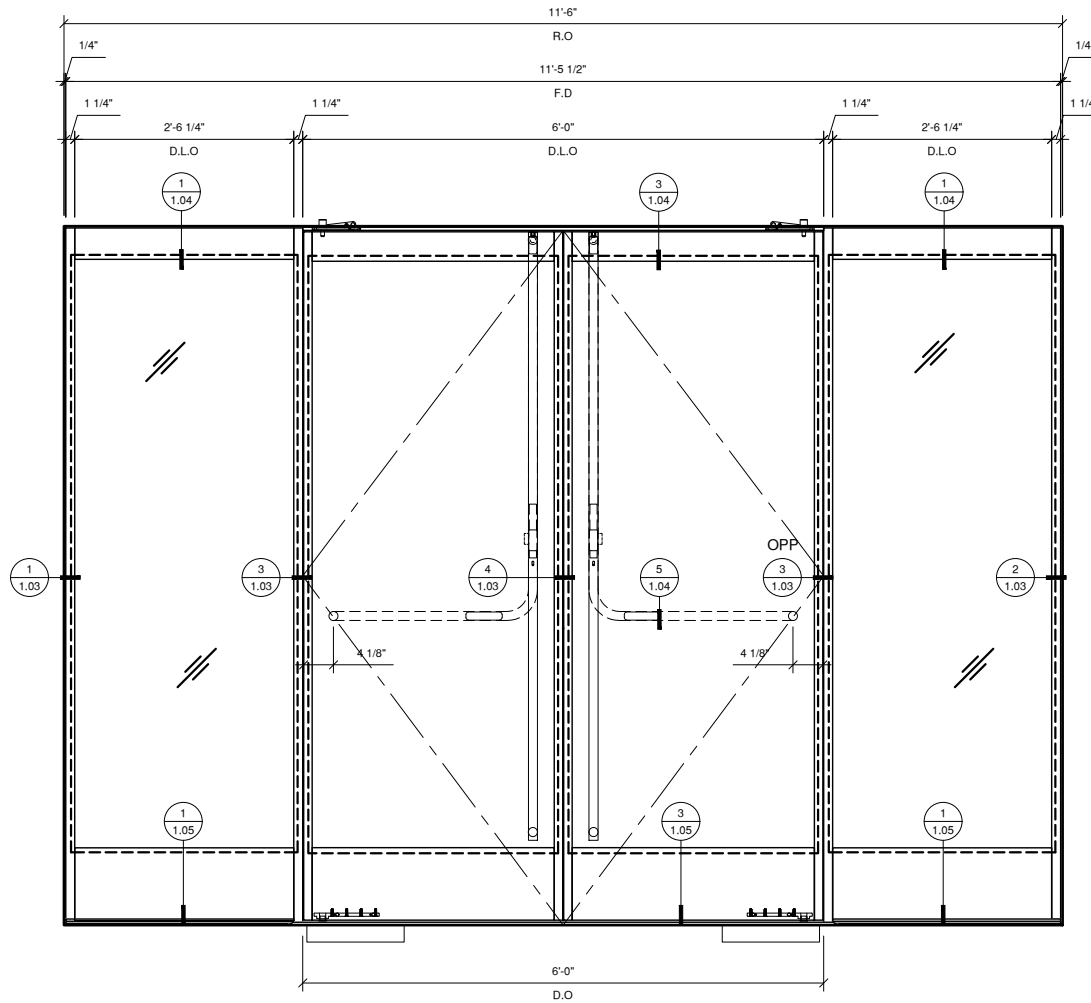


1 PLAN
1" = 1'-0" ARCH. REF.: N/A

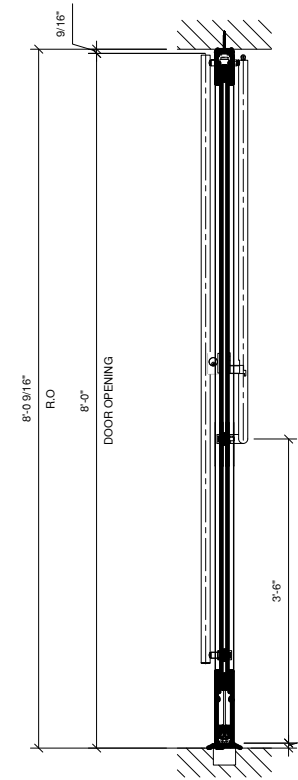
3 PLAN: CENTER HUNG
1" = 1'-0" ARCH. REF.: N/A



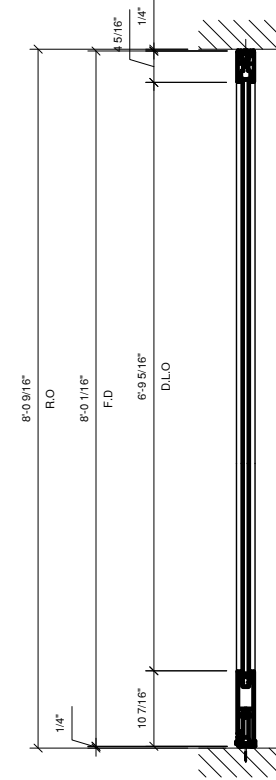
2 EXTERIOR ELEVATION
1" = 1'-0" ARCH. REF.: N/A



4 EXTERIOR ELEVATION
1" = 1'-0" ARCH. REF.: N/A



5 DOOR SECTION
1" = 1'-0" ARCH. REF.: N/A



6 SIDELIGHT SECTION
1" = 1'-0" ARCH. REF.: N/A

Revisions By:

CRL.

2503 E. Vernon Avenue, Los Angeles, CA 90058-1897
PH (800)-421-6144 FX: 800-587-7501 www.crlaurence.com

Description:
ENTICE SERIES
ENTRANCE SYSTEM
CLAD IN
ALUMINUM FINISHES

Drawn By: RPD

Date: 01/28/20

Scale: AS NOTED

File Name:

Entice Entrance System SA, DU.dwg

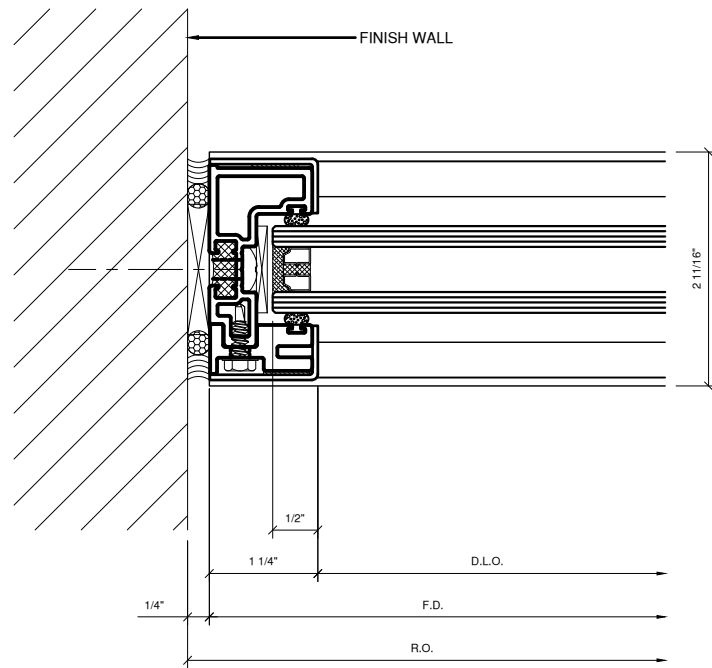
Sheet

1.02

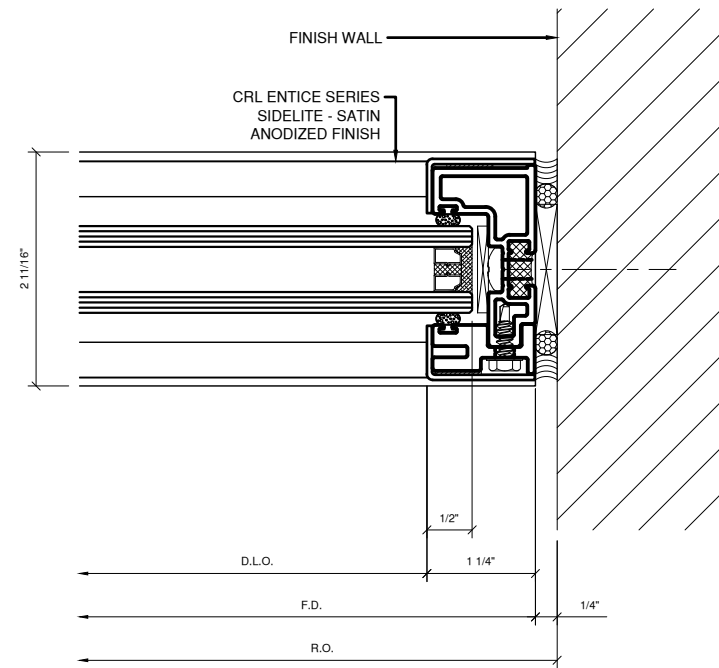
Revisions By:

2503 E. Vernon Avenue, Los Angeles, CA 90058-1897
PH (800)-421-6144 FX: 800-587-7501 www.crlaurence.com

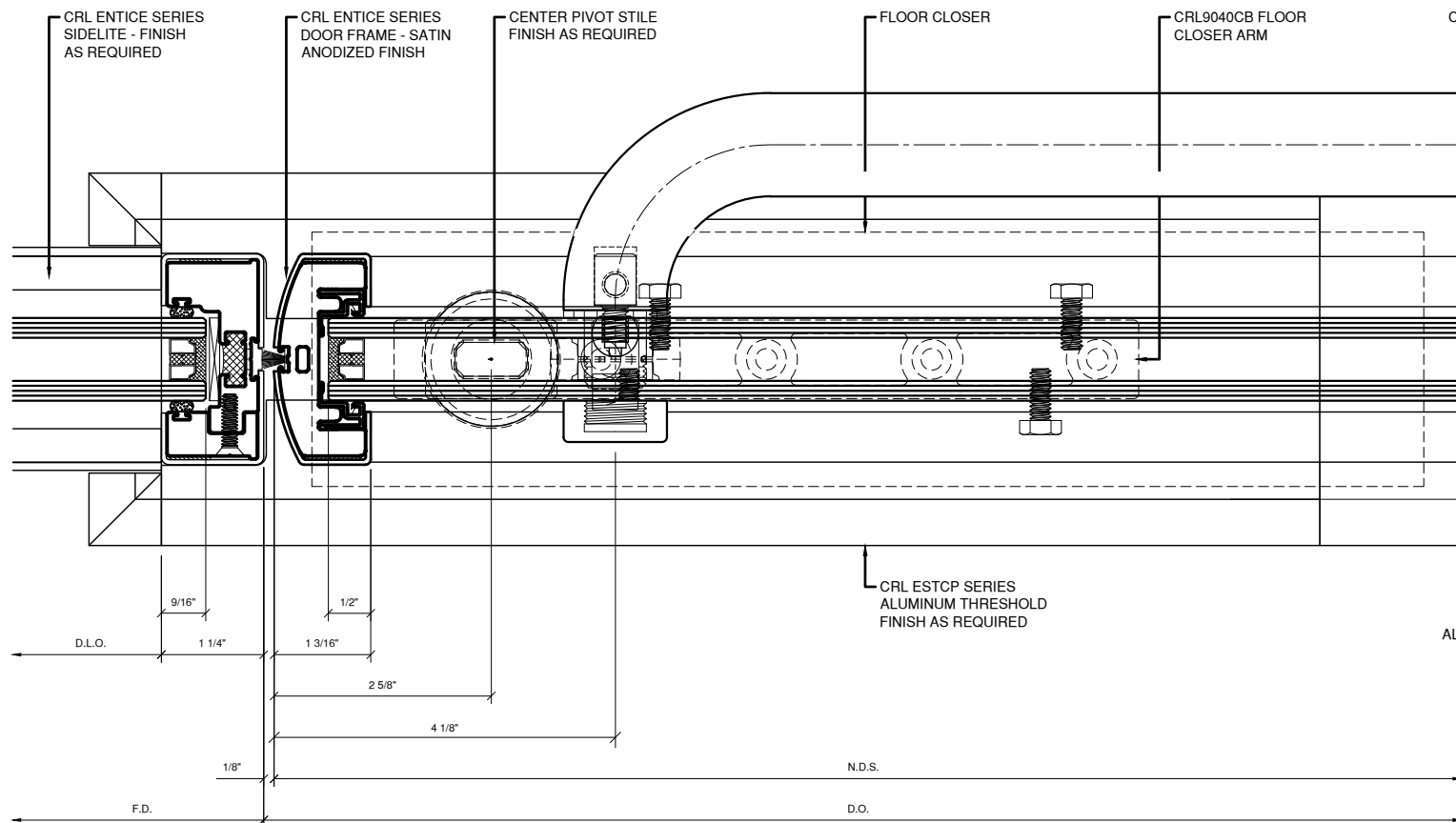
CRL.



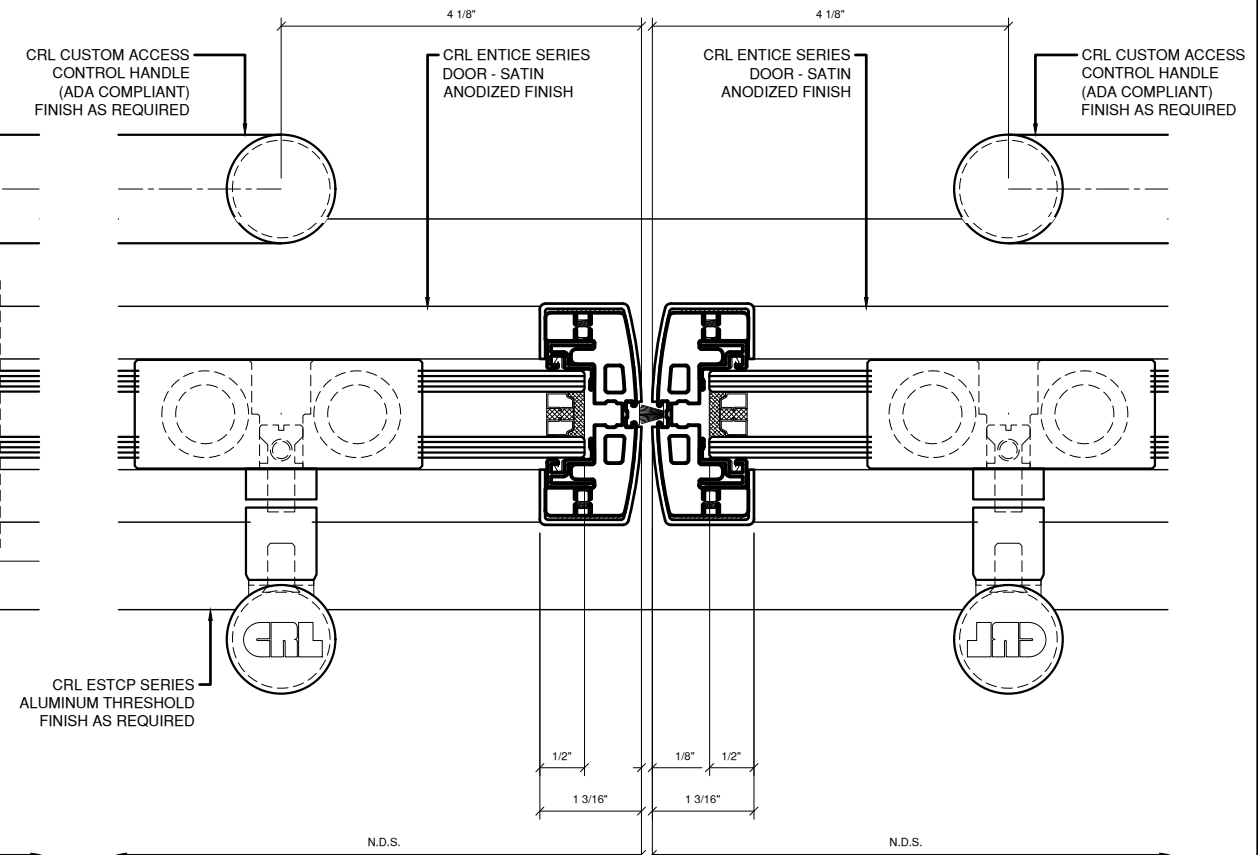
① WALL JAMB
1'-0" = 1'-0" ARCH. REF.: N/A



② WALL JAMB
1'-0" = 1'-0" ARCH. REF.: N/A



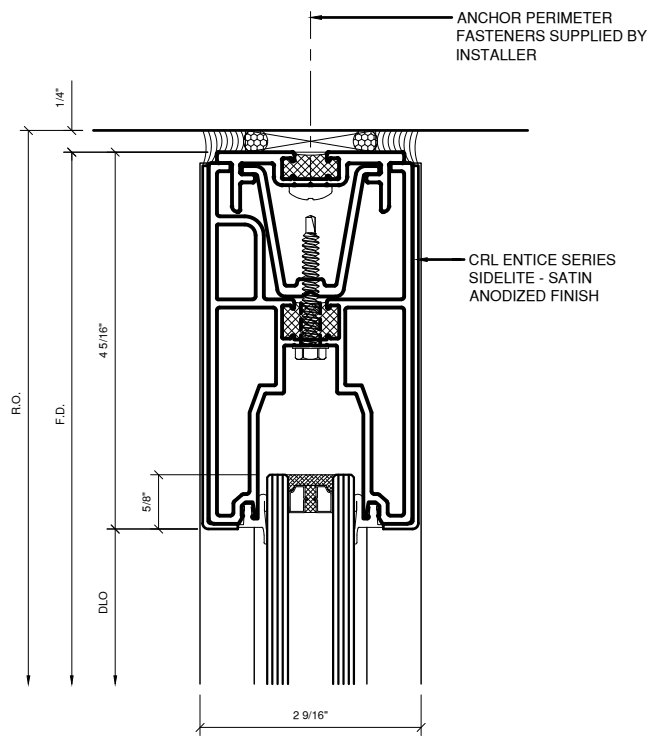
③ DOOR JAMB WITH SIDELITE
1'-0" = 1'-0" ARCH. REF.: N/A



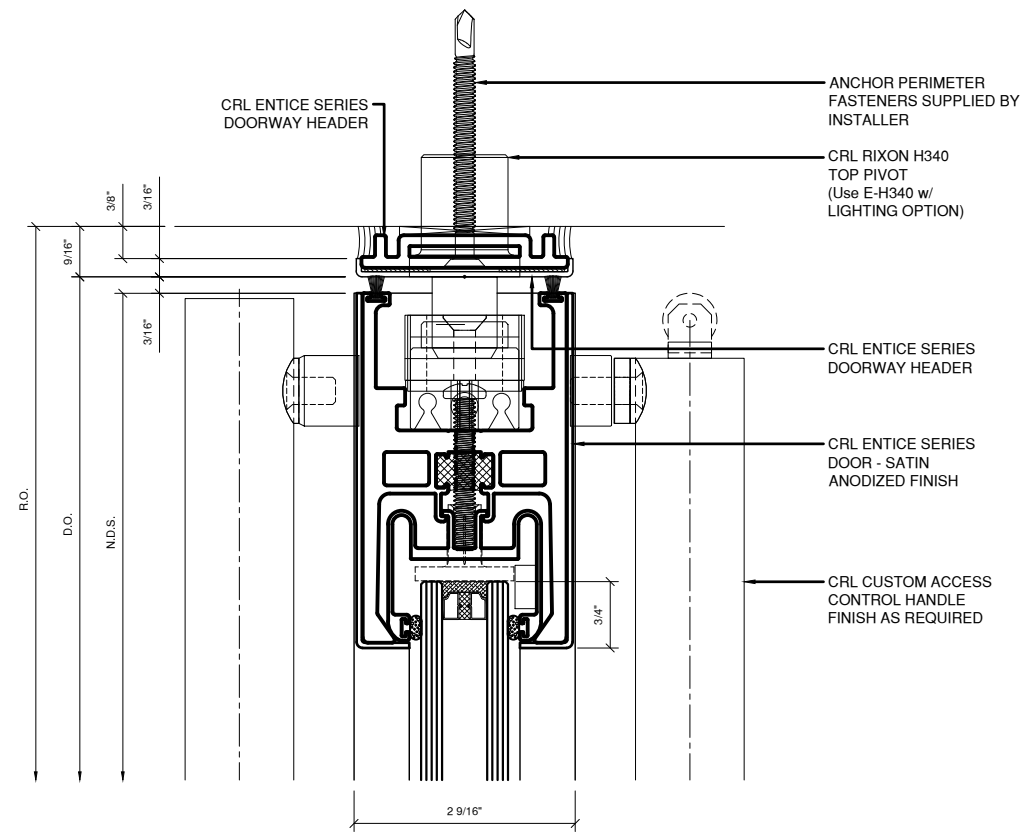
④ DOOR MEETING STILE
1'-0" = 1'-0" ARCH. REF.: N/A

ENTICE SERIES
ENTRANCE SYSTEM
CLAD IN
ALUMINUM FINISHES

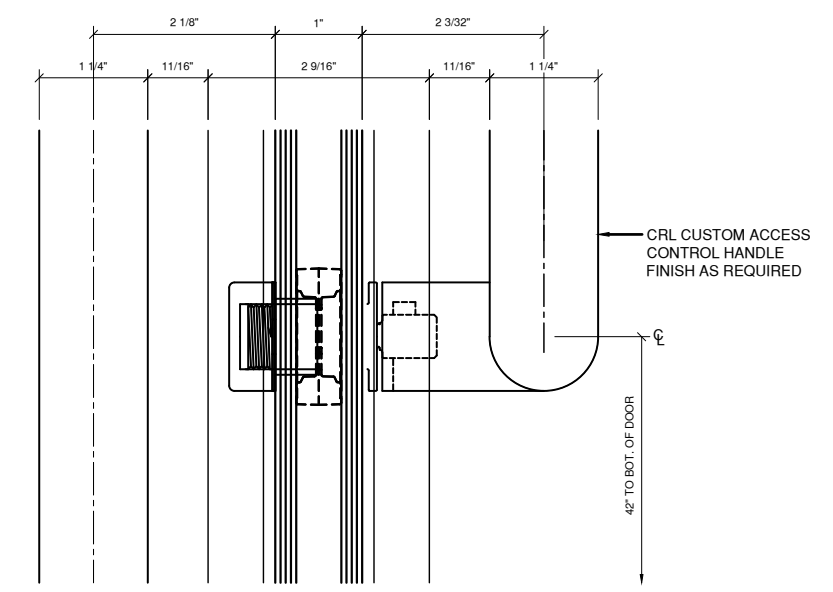
Drawn By: RPD
Date: 01/28/20
Scale: AS NOTED
File Name:
Entice Entrance System SA, DU.dwg
Sheet



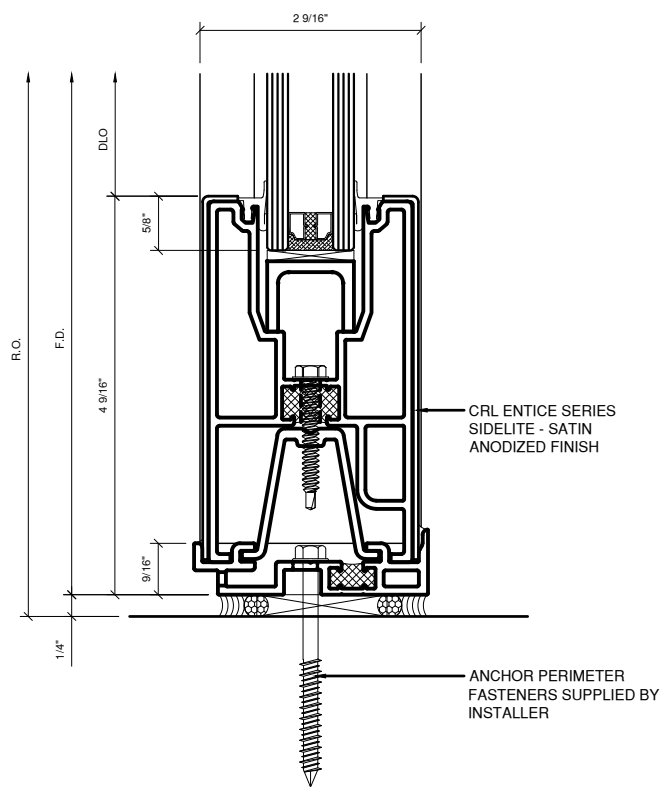
1 HEAD DETAIL
1'-0\" = 1'-0\" ARCH. REF.: N/A



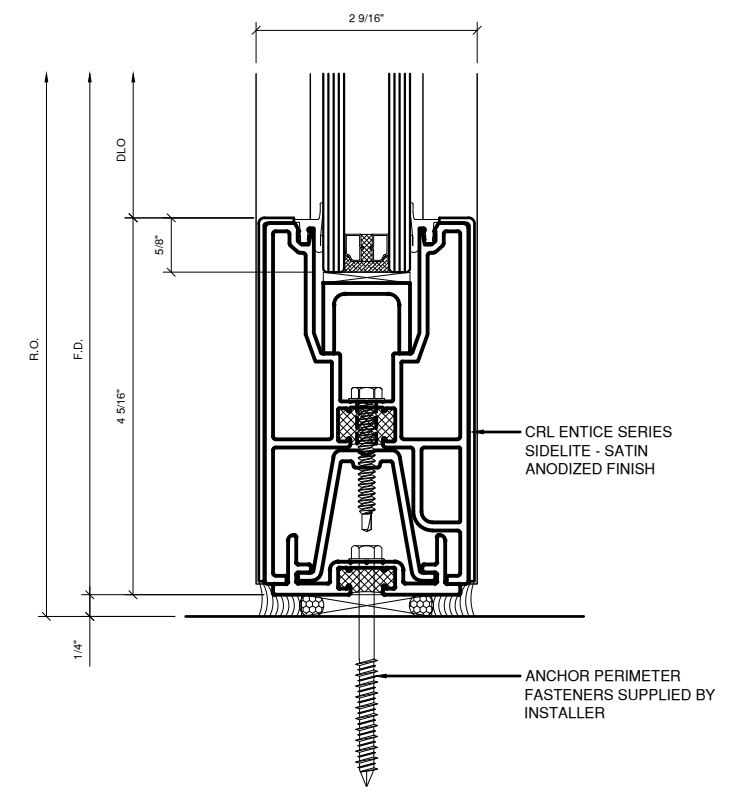
3 DOOR HEAD DETAIL
1'-0\" = 1'-0\" ARCH. REF.: N/A



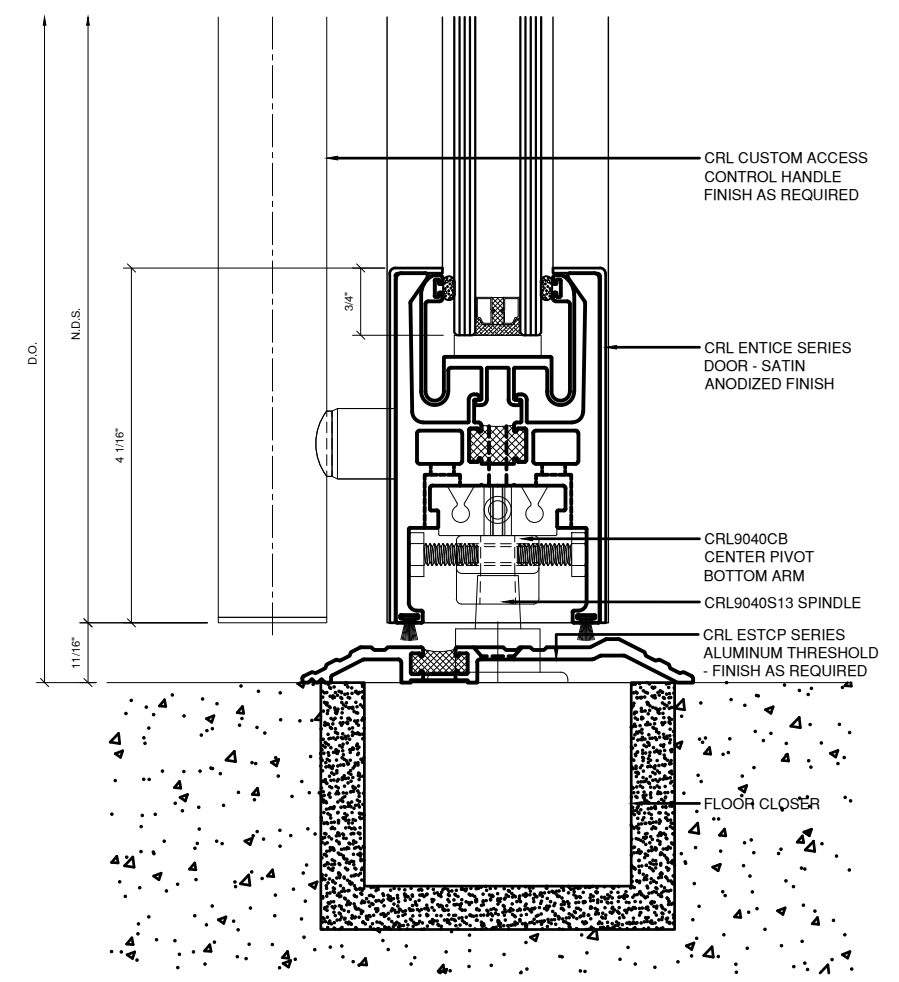
5 ACCESS CONTROL HANDLE CYLINDER
1'-0\" = 1'-0\" ARCH. REF.: N/A



2 EXTERIOR SILL DETAIL
1'-0\" = 1'-0\" ARCH. REF.: N/A



4 INTERIOR SILL DETAIL
1'-0\" = 1'-0\" ARCH. REF.: N/A



6 4\" BOTTOM RAIL DOOR
1'-0\" = 1'-0\" ARCH. REF.: N/A

Description:
ENTICE SERIES
ENTRANCE SYSTEM
CLAD IN
ALUMINUM FINISHES

Drawn By: RPD
Date: 01/28/20
Scale: AS NOTED
File Name:
Entice Entrance System SA, DU.dwg

Sheet

Revisions By:

CRL

2503 E. Vernon Avenue, Los Angeles, CA 90058-1897
PH (800)-421-6144 FX: 800-587-7501 www.crlaurence.com

ENTICE SERIES
ENTRANCE SYSTEM
CLAD IN
ALUMINUM FINISHES

Description:

Drawn By: RPD

Date: 01/28/20

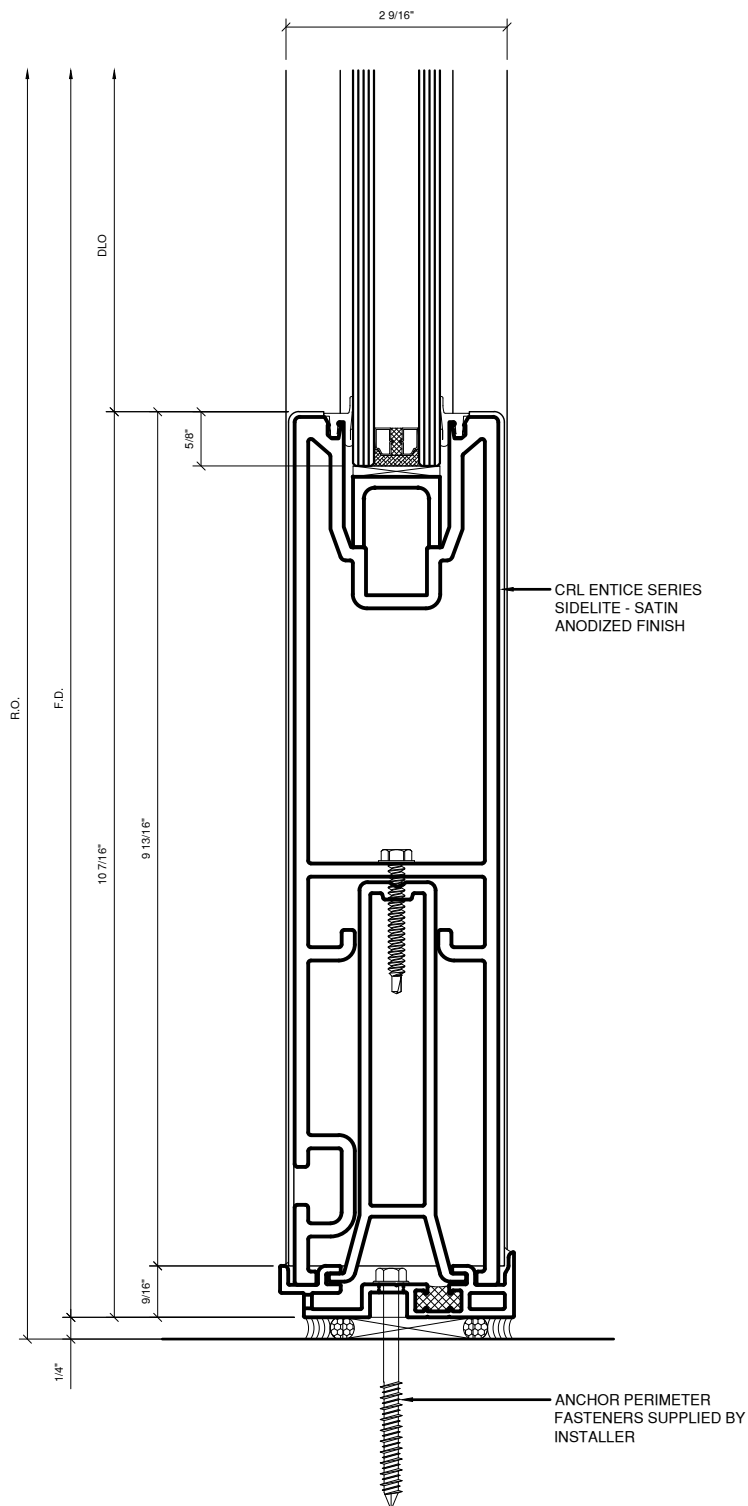
Scale: AS NOTED

File Name:

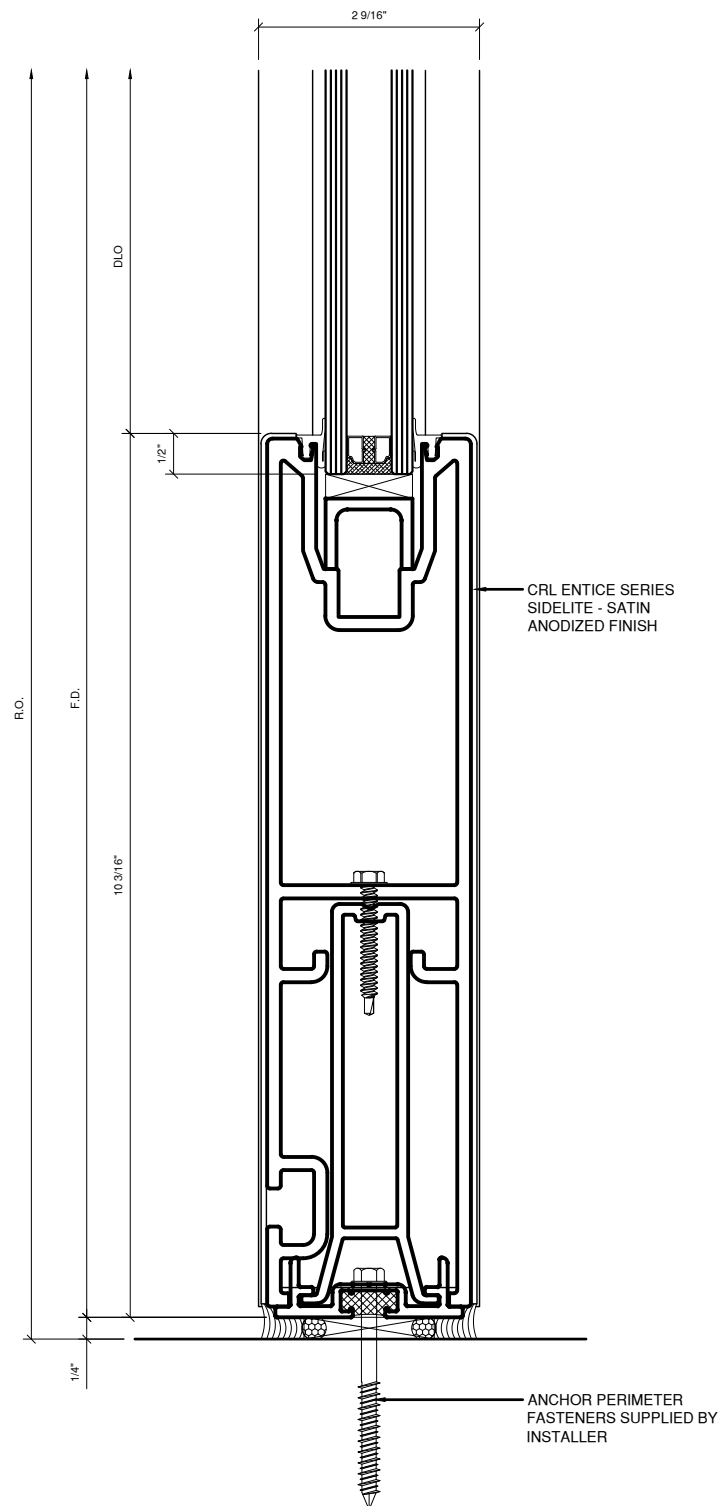
Entice Entrance System SA, DU.dwg

Sheet

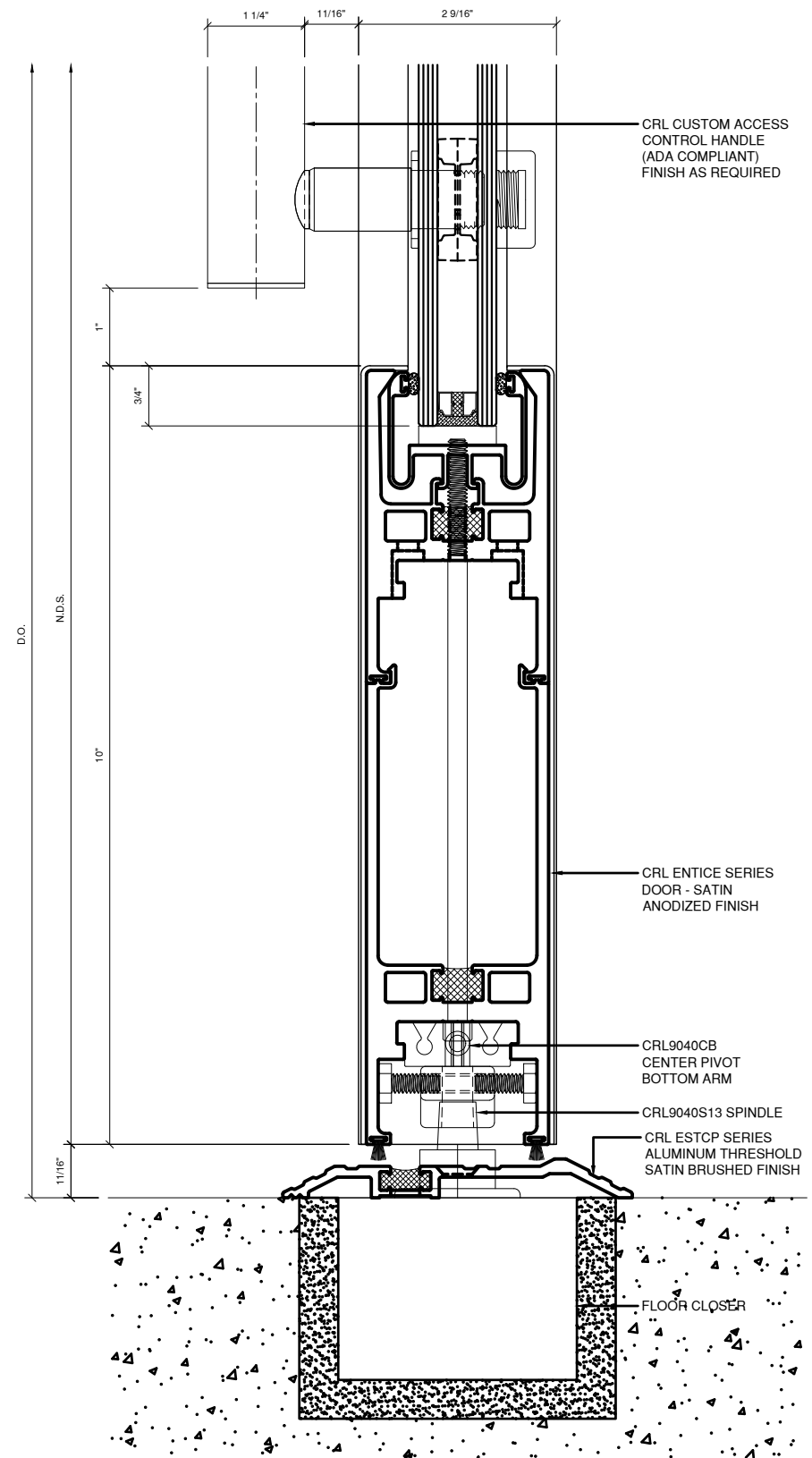
1.05



1 EXTERIOR SILL DETAIL
1'-0" = 1'-0" ARCH. REF.: N/A

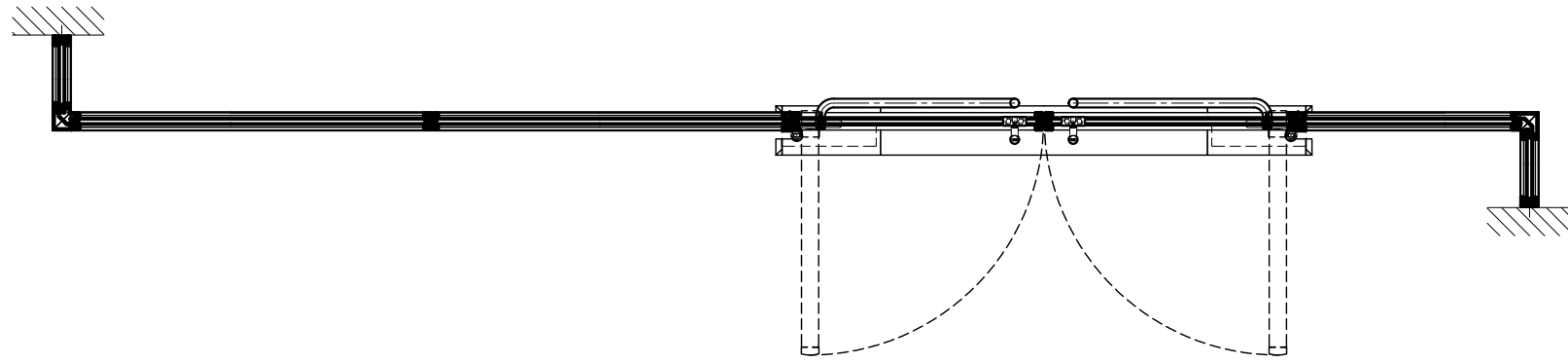


2 INTERIOR SILL DETAIL
1'-0" = 1'-0" ARCH. REF.: N/A

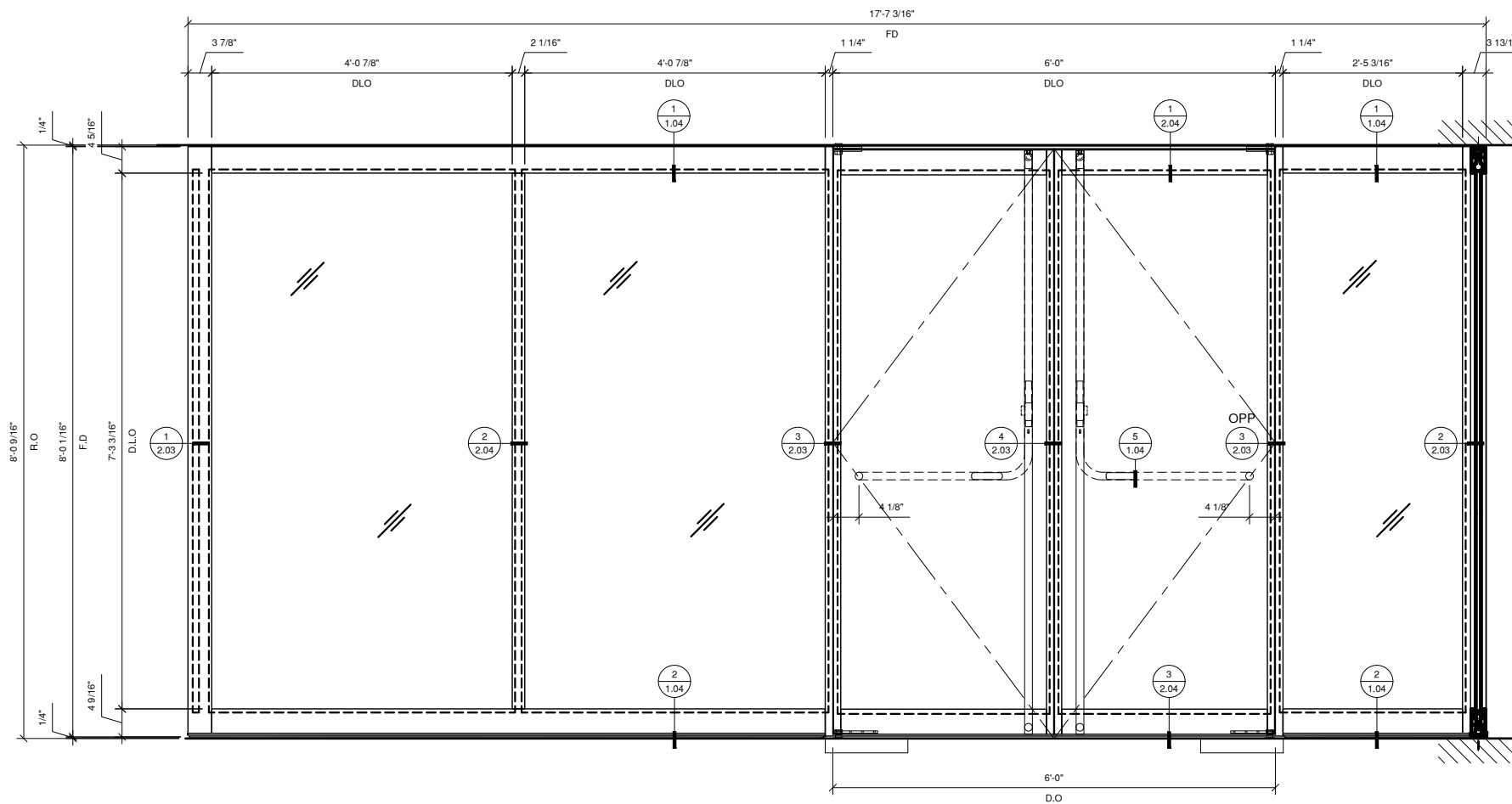


3 10" BOTTOM RAIL DETAIL
1'-0" = 1'-0" ARCH. REF.: N/A

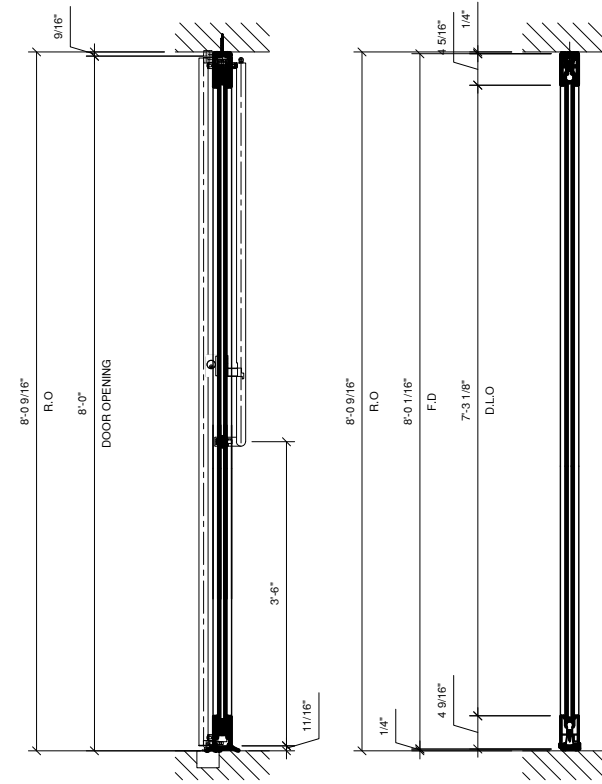
ENTICE SERIES ENTRANCE SYSTEM SA & DU - OFFSET HUNG DOUBLE DOOR WITH 4 INCH BOTTOM RAIL, SIDELIGHTS AND CORNERS (w/ INTERM. MULLION)



1 PLAN: OFFSET HUNG
1" = 1'-0" ARCH. REF.: N/A



2 EXTERIOR ELEVATION
1" = 1'-0" ARCH. REF.: N/A



3 DOOR SECTION
1" = 1'-0" ARCH. REF.: N/A

6 SIDELIGHT SECTION
1" = 1'-0" ARCH. REF.: N/A

Revisions By:

CRL.

2003 E. Vernon Avenue, Los Angeles, CA 90008-1877
PH (800)-831-6144 FX (800)-831-7301 www.crl.com

Description:
ENTICE SERIES
ENTRANCE SYSTEM
CLAD IN
ALUMINUM FINISHES

Drawn By: RPD

Date: 01/28/20

Scale: AS NOTED

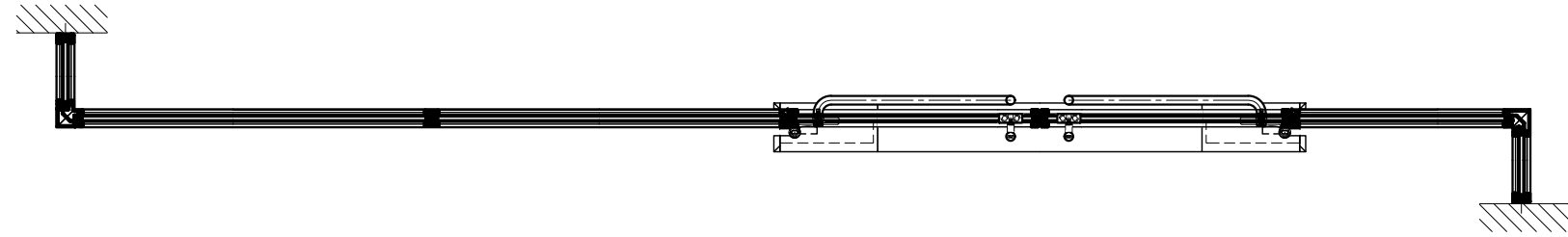
File Name:

Entice Entrance System SA, DU.dwg

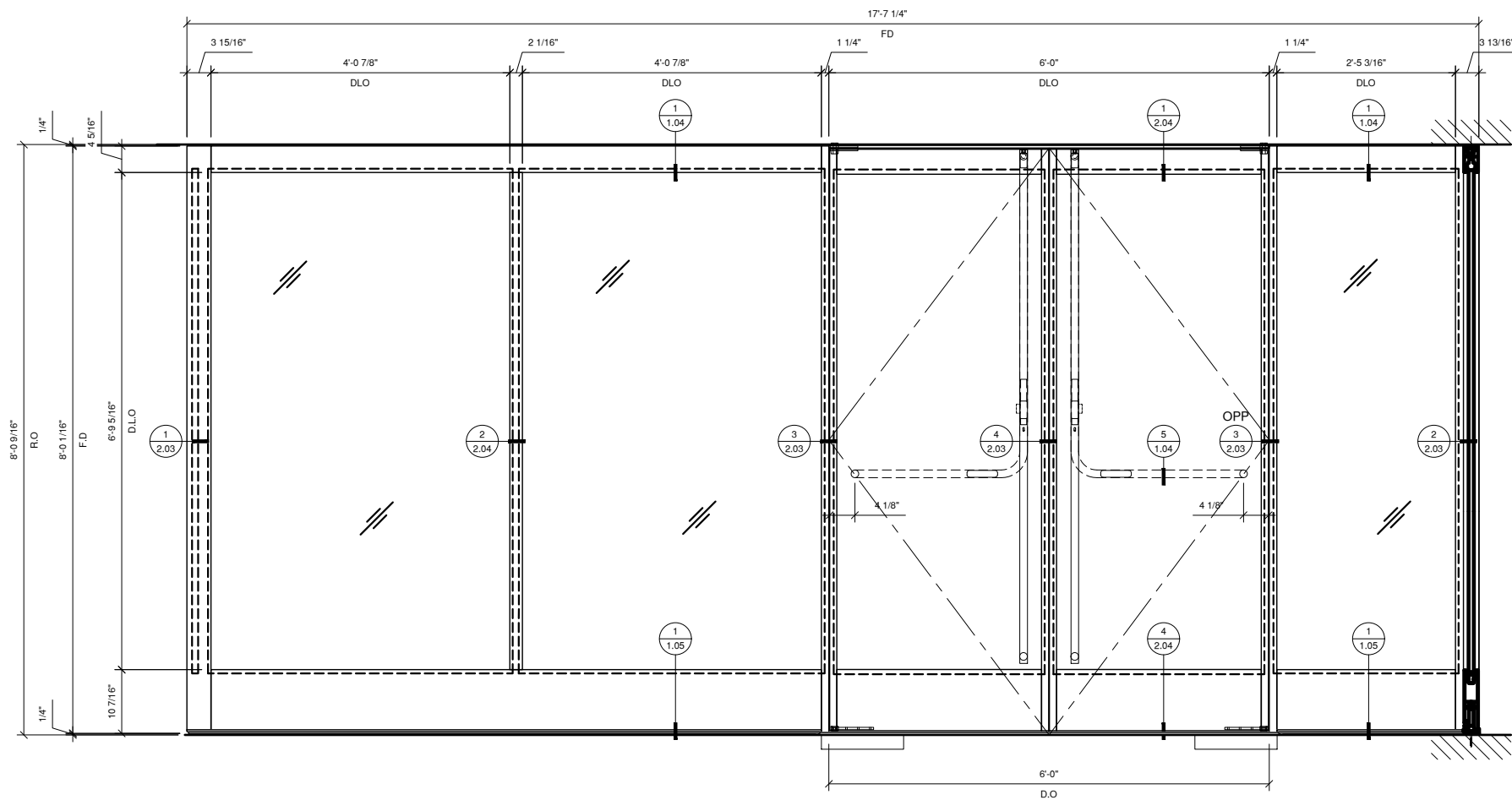
Sheet

2.01

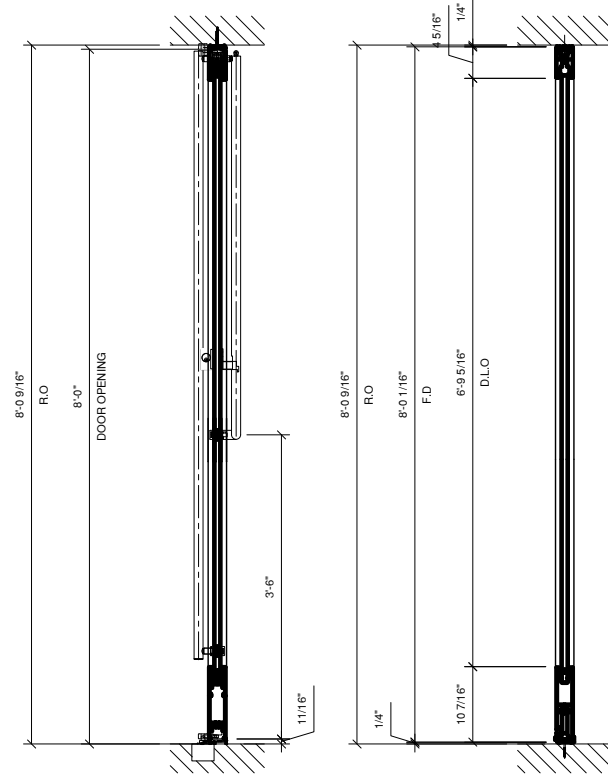
ENTICE SERIES ENTRANCE SYSTEM SA & DU - OFFSET HUNG DOUBLE DOOR WITH 10 INCH BOT. RAIL, SIDELIGHTS AND CORNERS (w/ INTERM. MULLION)



1 PLAN: OFFSET HUNG
ARCH REF: 1"=1'-0"



2 EXTERIOR ELEVATION
1"=1'-0" ARCH. REF.: N/A



3 DOOR SECTION
1"=1'-0" ARCH. REF.: N/A

6 SIDELIGHT SECTION
1"=1'-0" ARCH. REF.: N/A

Revisions By:

CRL.

2503 E. Vernon Avenue, Los Angeles, CA 90058-1897
PH (800)-421-6144 FX: 800-587-7501 www.crlaurence.com

Description:
ENTICE SERIES
ENTRANCE SYSTEM
CLAD IN
ALUMINUM FINISHES

Drawn By: RPD

Date: 01/28/20

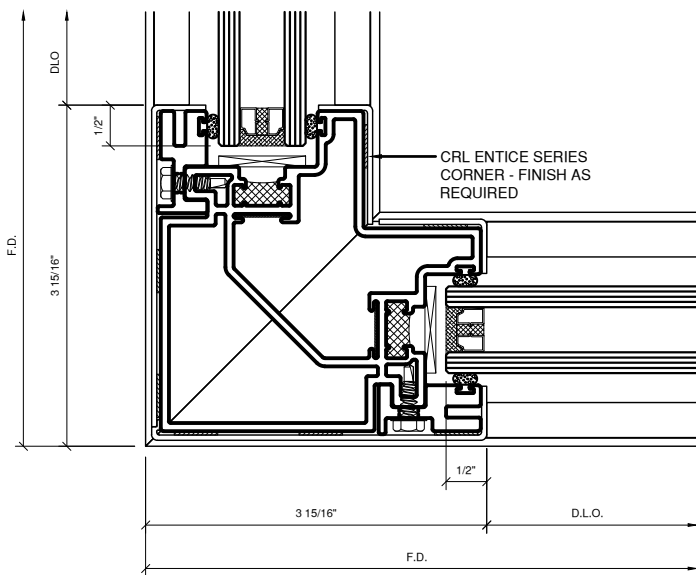
Scale: AS NOTED

File Name:

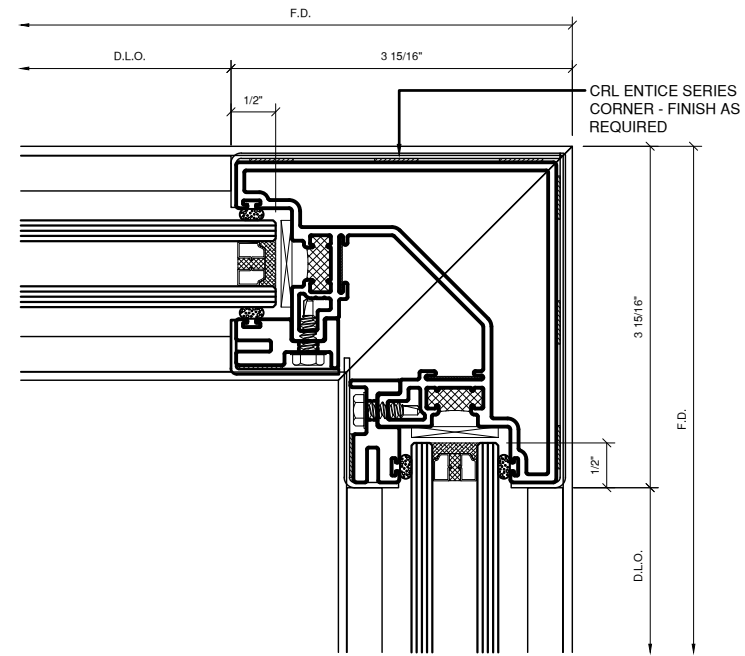
Entice Entrance System SA, DU.dwg

Sheet

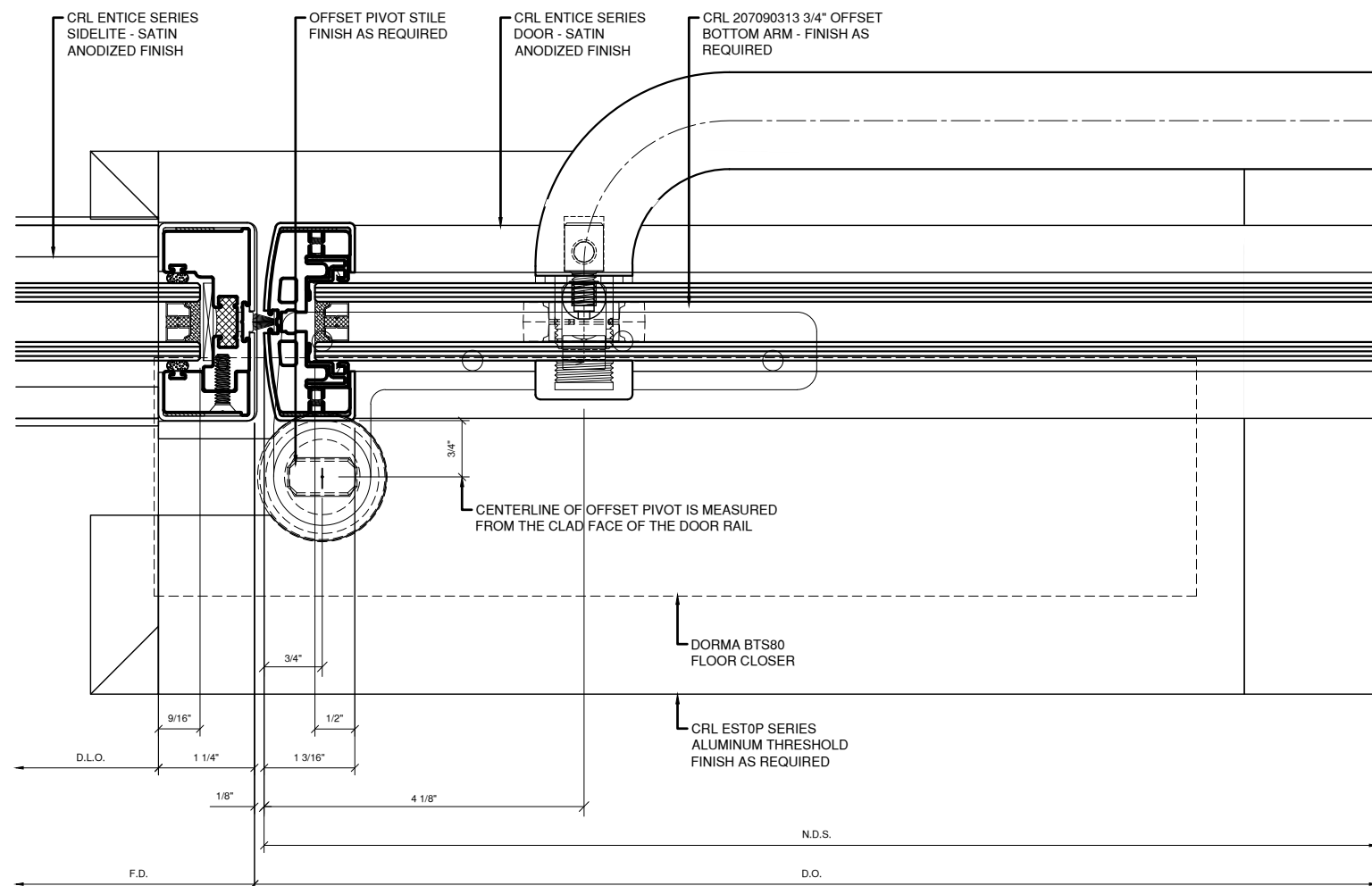
2.02



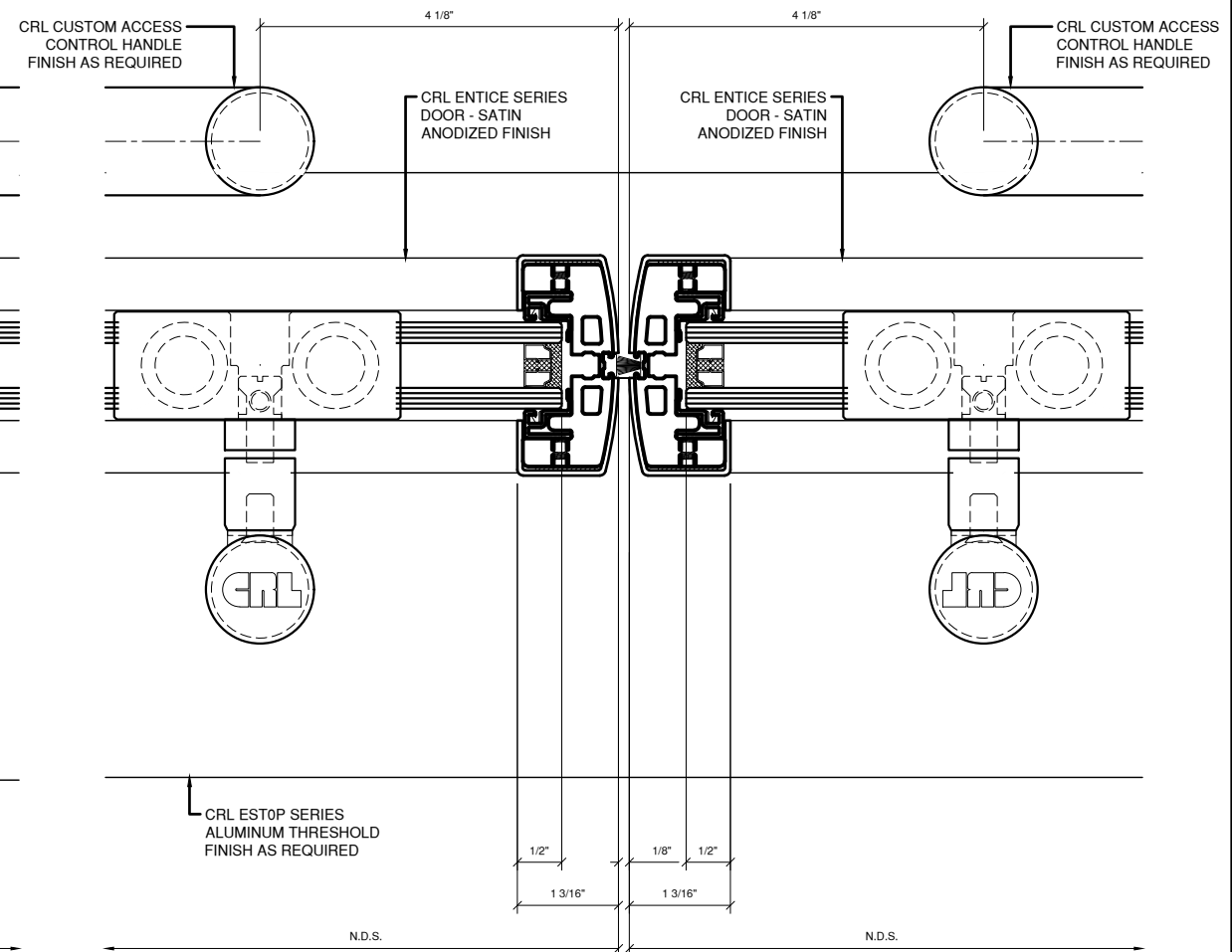
1 90 DEGREE OUTSIDE CORNER
1'-0" = 1'-0" ARCH. REF.: N/A



2 90 DEGREE INSIDE CORNER
1'-0" = 1'-0" ARCH. REF.: N/A



3 DOOR JAMB WITH SIDELITE
1'-0" = 1'-0" ARCH. REF.: N/A



4 MEETING STILE
1'-0" = 1'-0" ARCH. REF.: N/A

Revisions By:

CRL.

2503 E. Vernon Avenue, Los Angeles, CA 90058-1897
PH (800)-421-6144 FX: 800-587-7501 www.crlaurence.com

ENTICE SERIES
ENTRANCE SYSTEM
CLAD IN
ALUMINUM FINISHES

Drawn By: RPD
Date: 01/28/20
Scale: AS NOTED
File Name: Entice Entrance System SA, DU.dwg

Sheet

2.03

Revisions By:

CRL

2503 E. Vernon Avenue, Los Angeles, CA 90058-1897
PH (800)-421-6144 FX: 800-387-7501 www.crlaurence.com

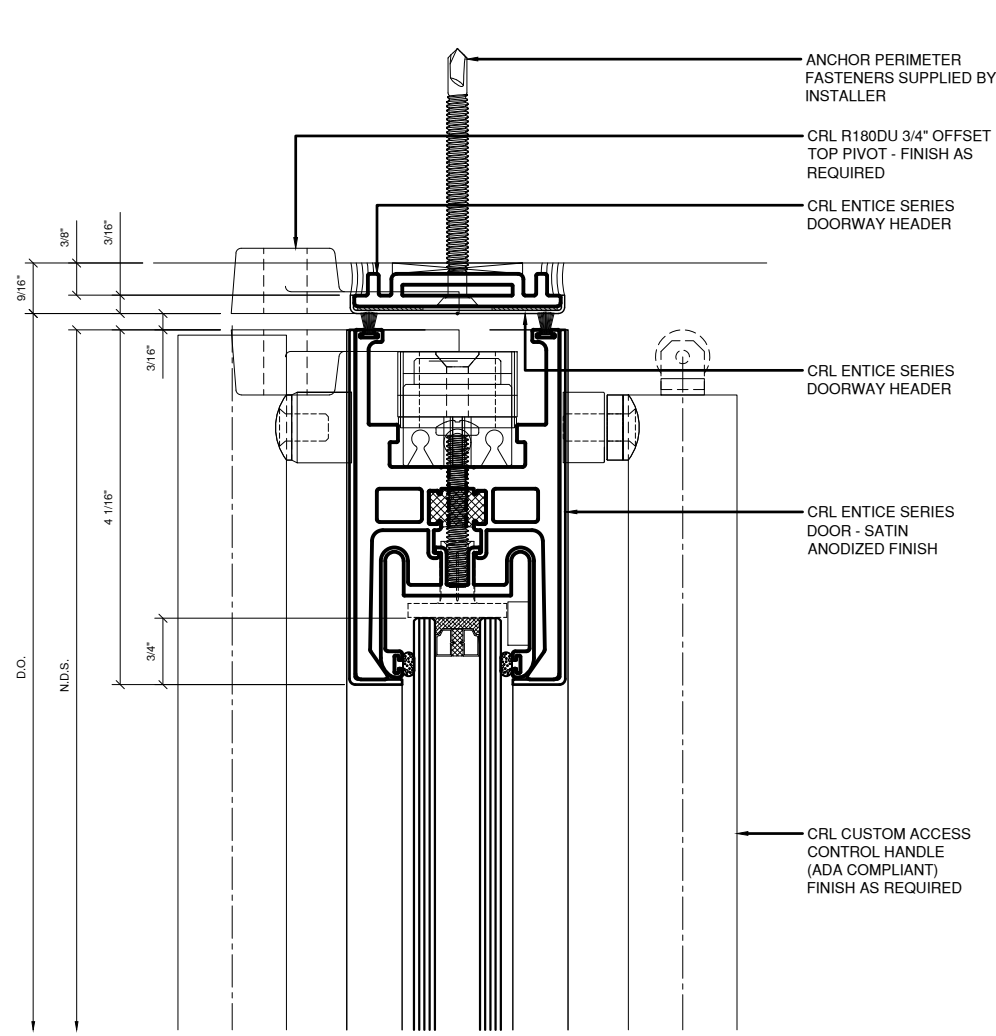
ENTICE SERIES
ENTRANCE SYSTEM
CLAD IN
ALUMINUM FINISHES

Description:

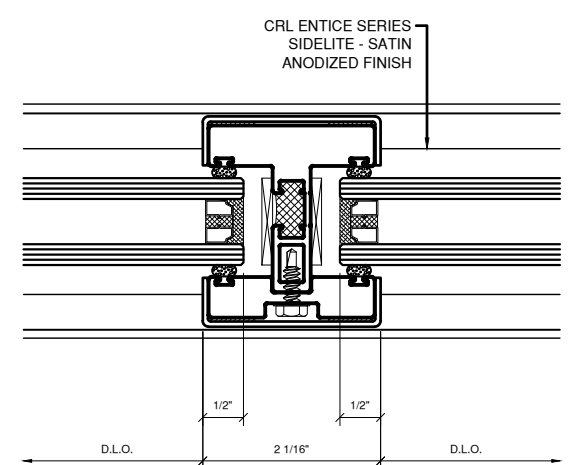
Drawn By: RPD
Date: 01/28/20
Scale: AS NOTED
File Name:
Entice Entrance System SA, DU.dwg

Sheet

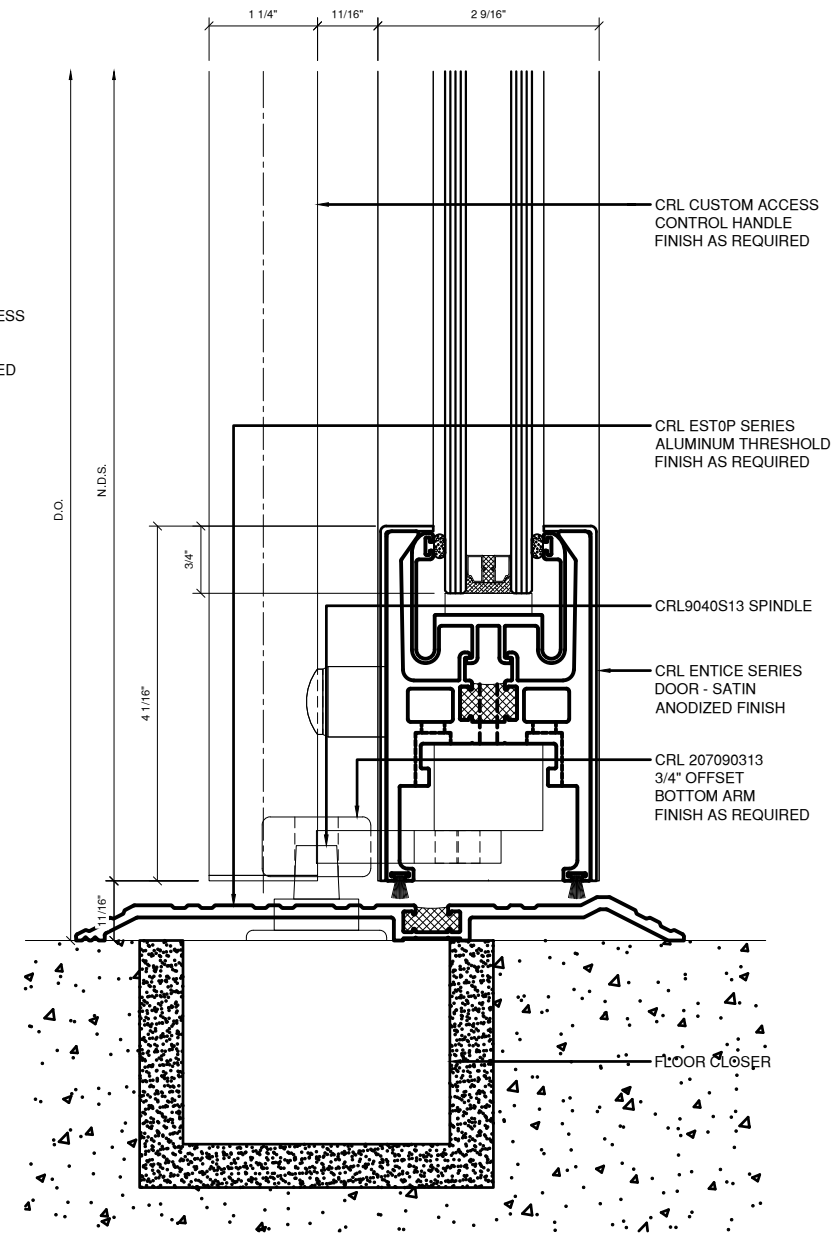
2.04



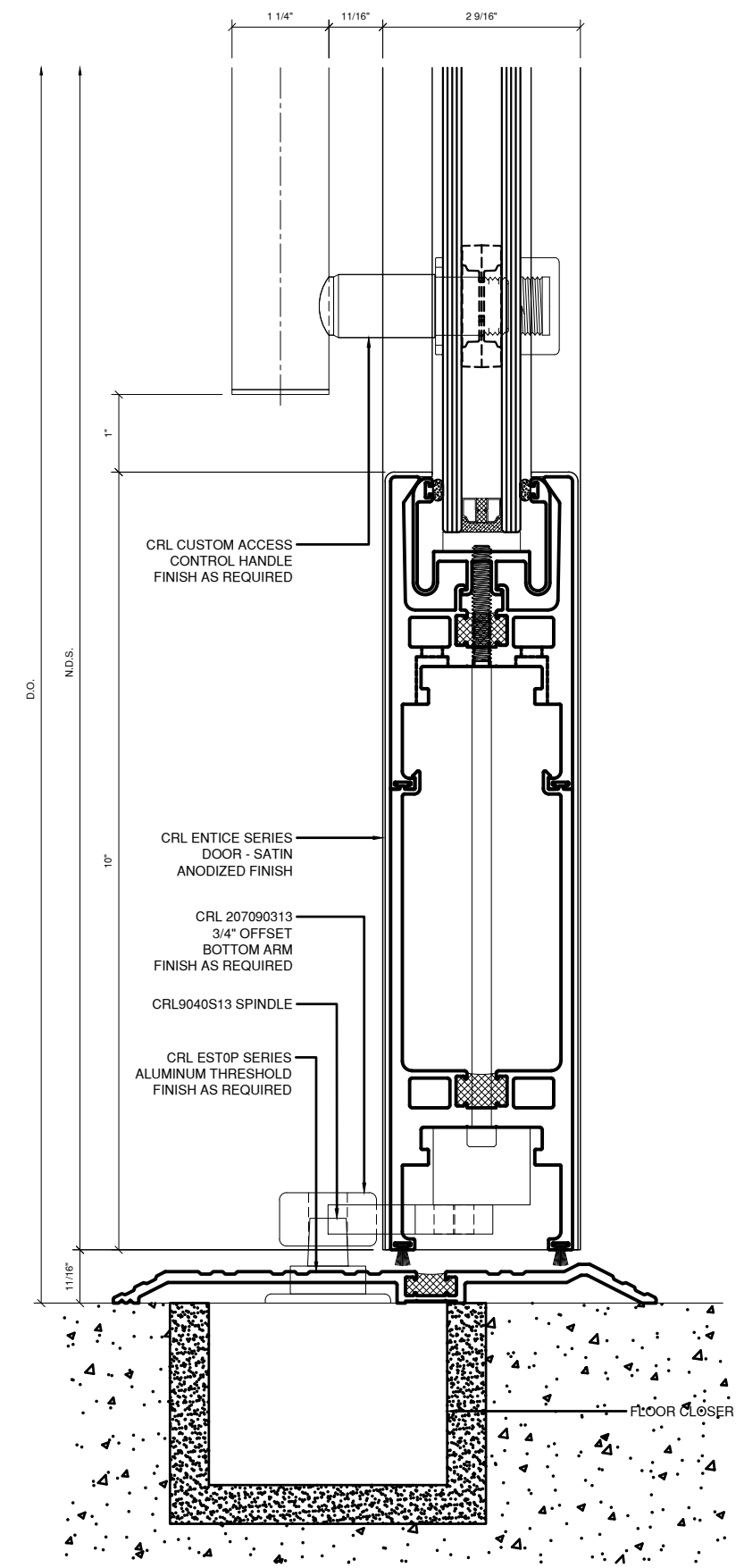
1 DOOR HEADER
1'-0" = 1'-0" ARCH. REF.: N/A



2 INTERMEDIATE VERTICAL
1'-0" = 1'-0" ARCH. REF.: N/A

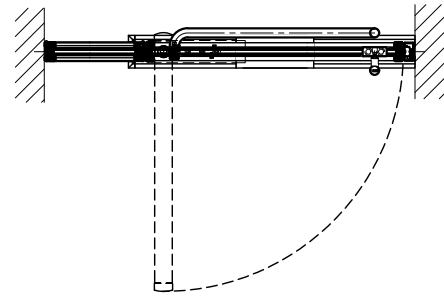


3 4" BOTTOM DOOR RAIL
1'-0" = 1'-0" ARCH. REF.: N/A

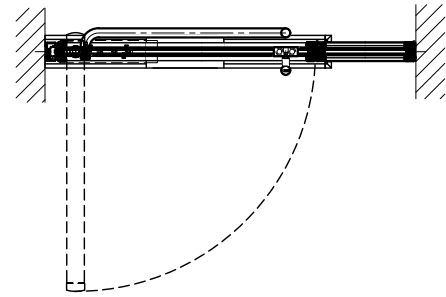


4 10" BOTTOM DOOR RAIL
1'-0" = 1'-0" ARCH. REF.: N/A

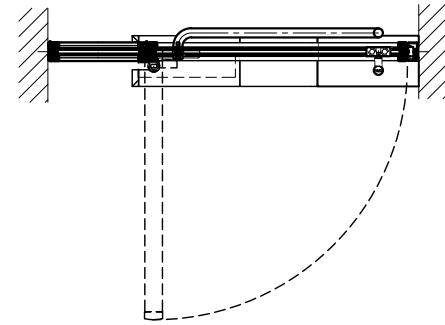
ENTICE SERIES ENTRANCE SYSTEM SA & DU - CENTER / OFFSET HUNG SINGLE DOORS WITH 4 INCH BOTTOM RAIL AND DOOR JAMB WALL ADAPTER



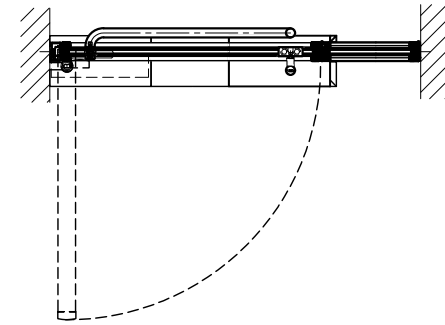
1 PLAN: CENTER HUNG
1" = 1'-0" ARCH. REF.: N/A



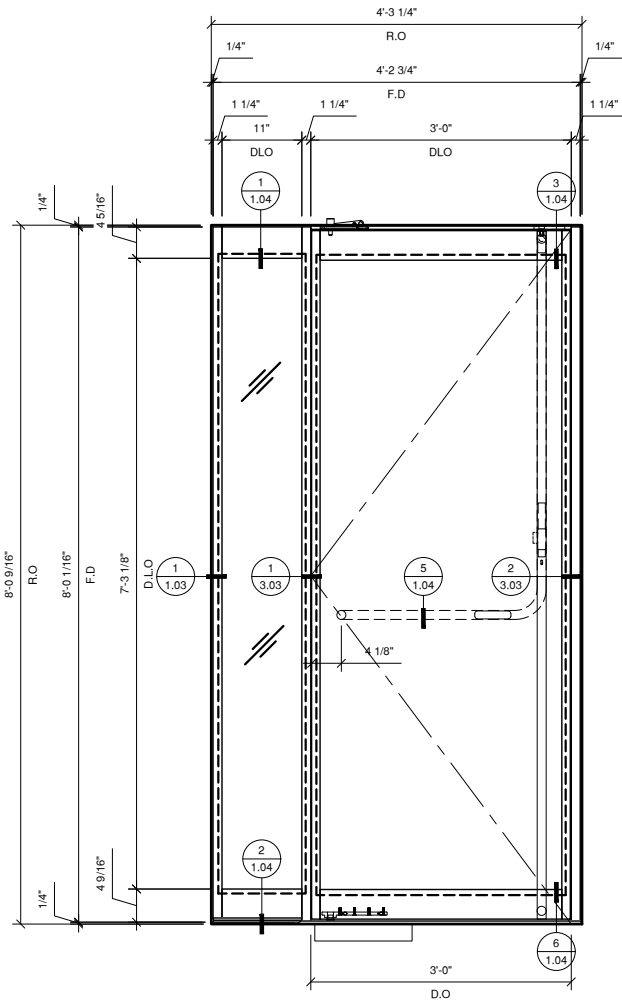
3 PLAN: CENTER HUNG
1" = 1'-0" ARCH. REF.: N/A



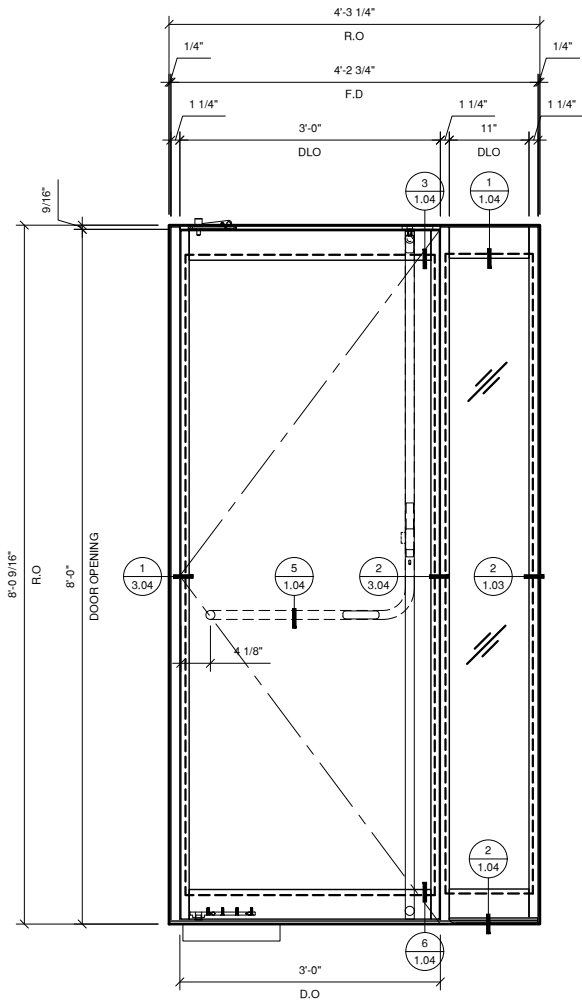
5 PLAN: OFFSET HUNG
1" = 1'-0" ARCH. REF.: N/A



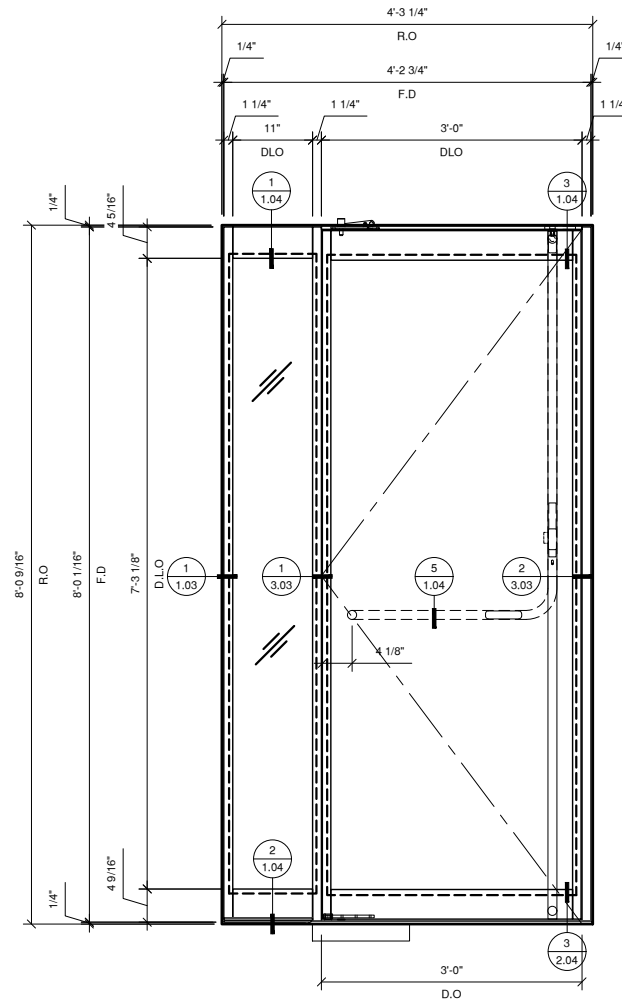
7 PLAN: OFFSET HUNG
1" = 1'-0" ARCH. REF.: N/A



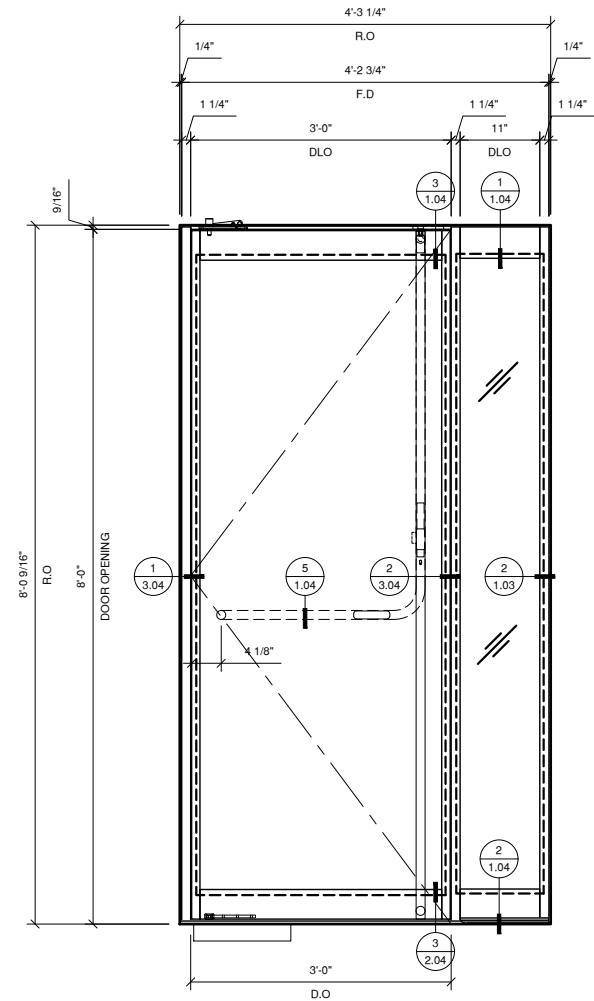
2 EXTERIOR ELEVATION
1" = 1'-0" ARCH. REF.: N/A



4 EXTERIOR ELEVATION
1" = 1'-0" ARCH. REF.: N/A



6 EXTERIOR ELEVATION
1" = 1'-0" ARCH. REF.: N/A



8 EXTERIOR ELEVATION
1" = 1'-0" ARCH. REF.: N/A

Revisions By:

CRL.

2003 E. Vermont Avenue, Los Angeles, CA 90008-1877
PH (800) 421-6144 FX (805) 427-7701 www.crl.com

Description:
ENTICE SERIES
ENTRANCE SYSTEM
CLAD IN
ALUMINUM FINISHES

Drawn By: RPD

Date: 01/28/20

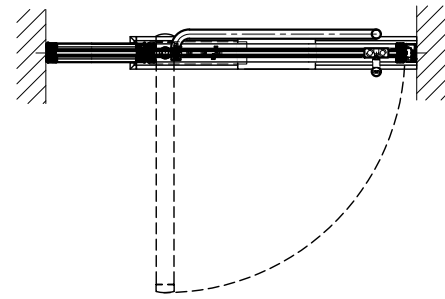
Scale: AS NOTED

File Name:

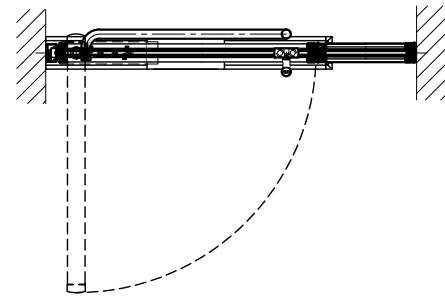
Entice Entrance System SA, DU.dwg

Sheet

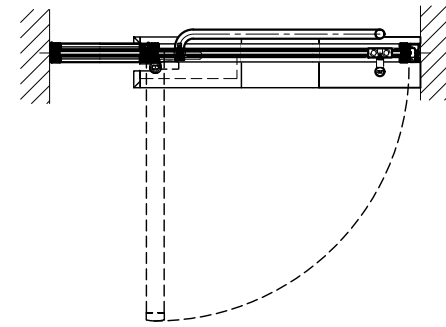
ENTICE SERIES ENTRANCE SYSTEM SA & DU - CENTER / OFFSET HUNG SINGLE DOORS WITH 10 INCH BOTTOM RAIL AND DOOR JAMB WALL ADAPTER



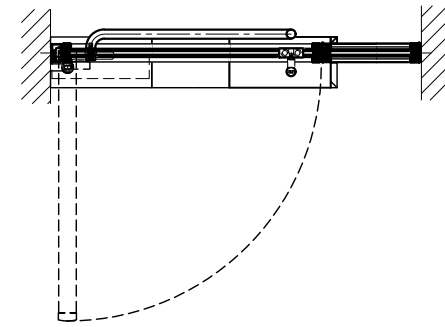
1 PLAN: CENTER HUNG
1" = 1'-0" ARCH. REF.: N/A



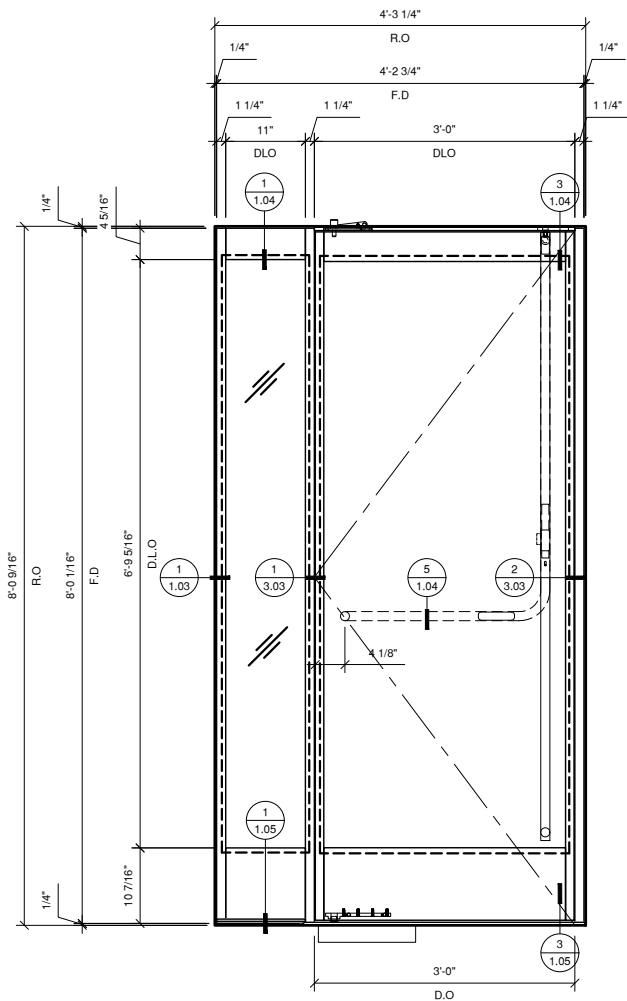
3 PLAN: CENTER HUNG
1" = 1'-0" ARCH. REF.: N/A



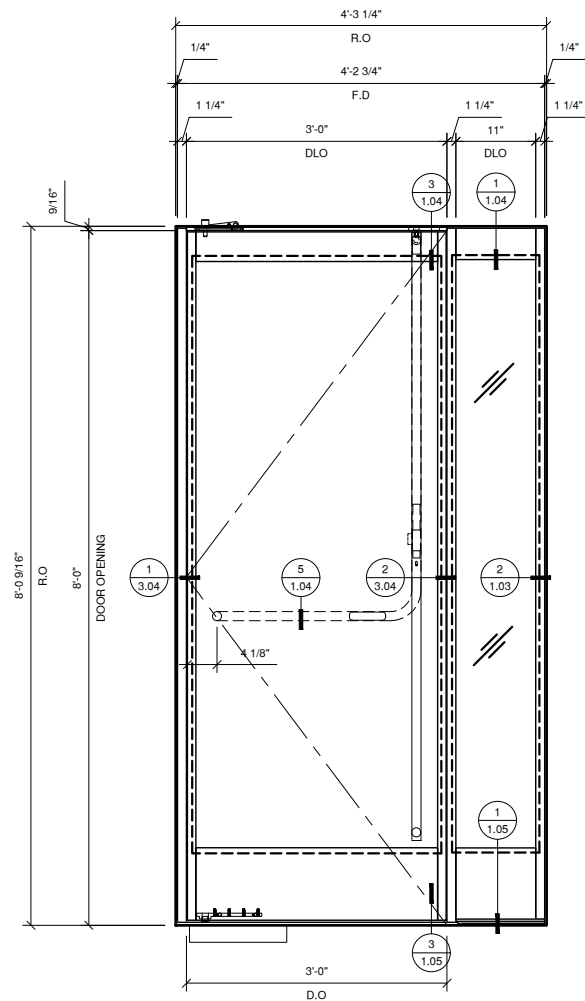
5 PLAN: OFFSET HUNG
1" = 1'-0" ARCH. REF.: N/A



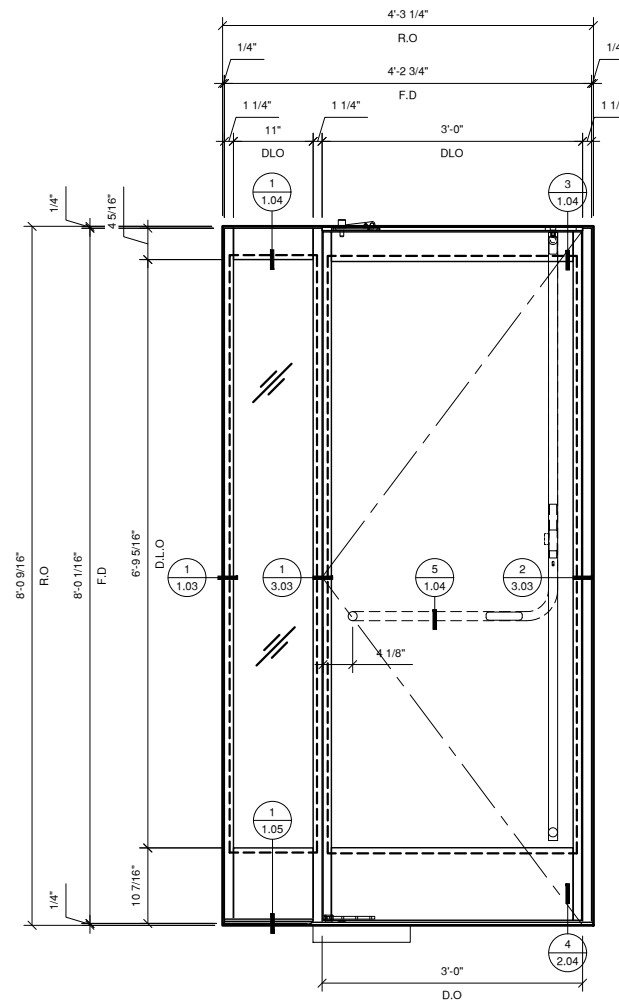
7 PLAN: OFFSET HUNG
1" = 1'-0" ARCH. REF.: N/A



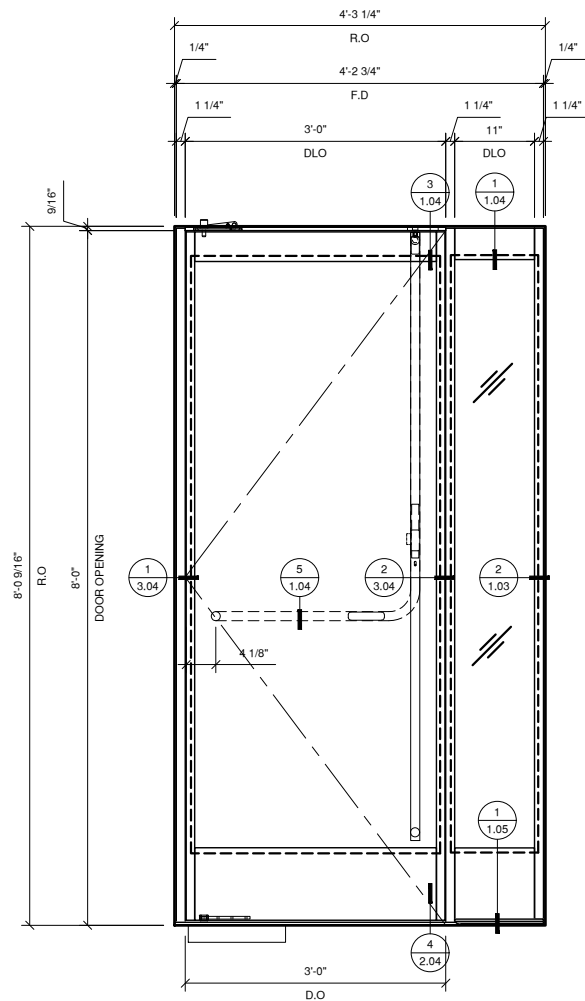
2 EXTERIOR ELEVATION
1" = 1'-0" ARCH. REF.: N/A



4 EXTERIOR ELEVATION
1" = 1'-0" ARCH. REF.: N/A



6 EXTERIOR ELEVATION
1" = 1'-0" ARCH. REF.: N/A



8 EXTERIOR ELEVATION
1" = 1'-0" ARCH. REF.: N/A

Revisions By:

CRL.

2503 E. Vernon Avenue, Los Angeles, CA 90058-1897
PH (800)-421-6144 FX: 800-587-7501 www.crlaurence.com

ENTICE SERIES
ENTRANCE SYSTEM
CLAD IN
ALUMINUM FINISHES

Drawn By: RPD

Date: 01/28/20

Scale: AS NOTED

File Name:

Entice Entrance System SA, DU.dwg

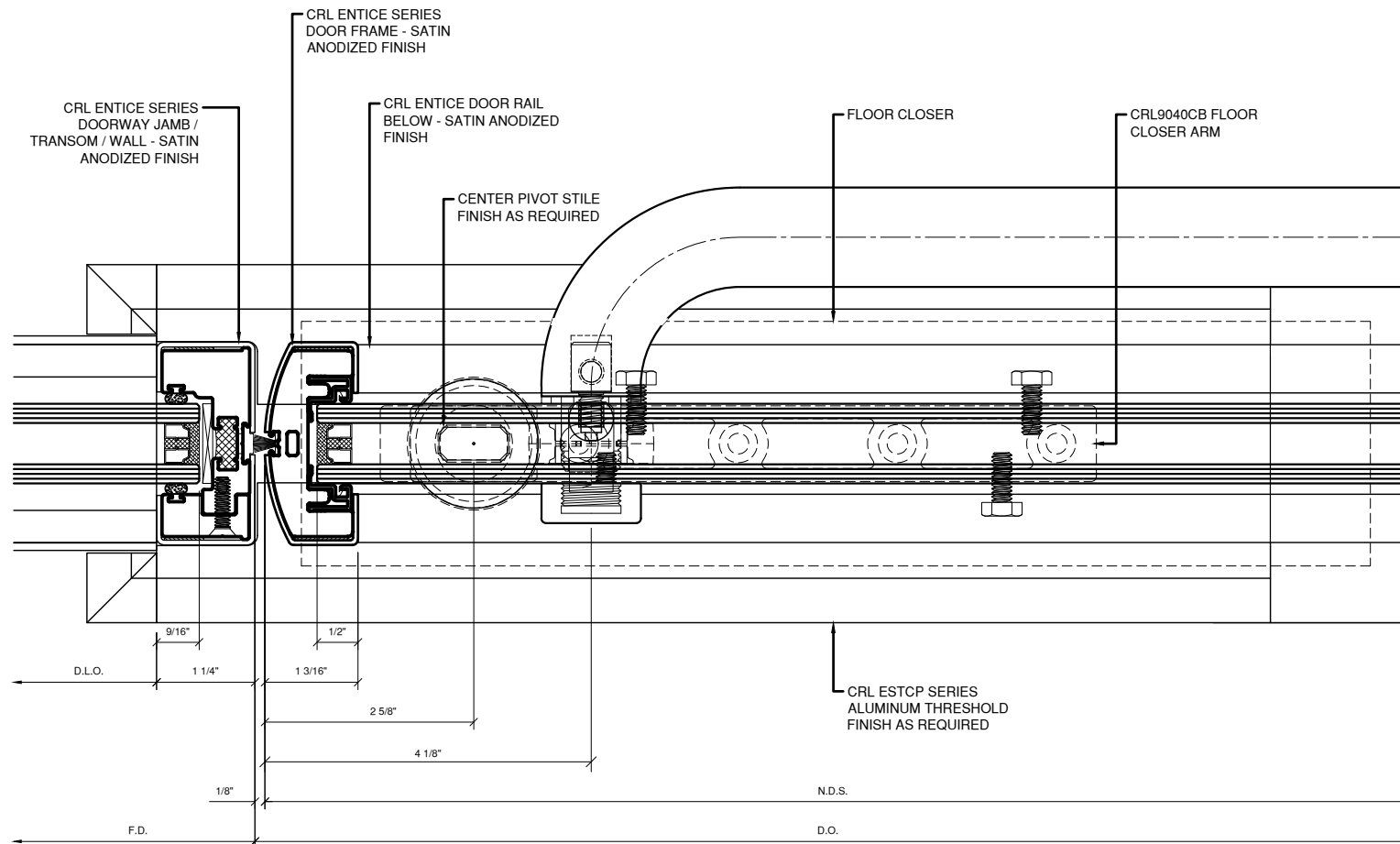
Sheet

3.02

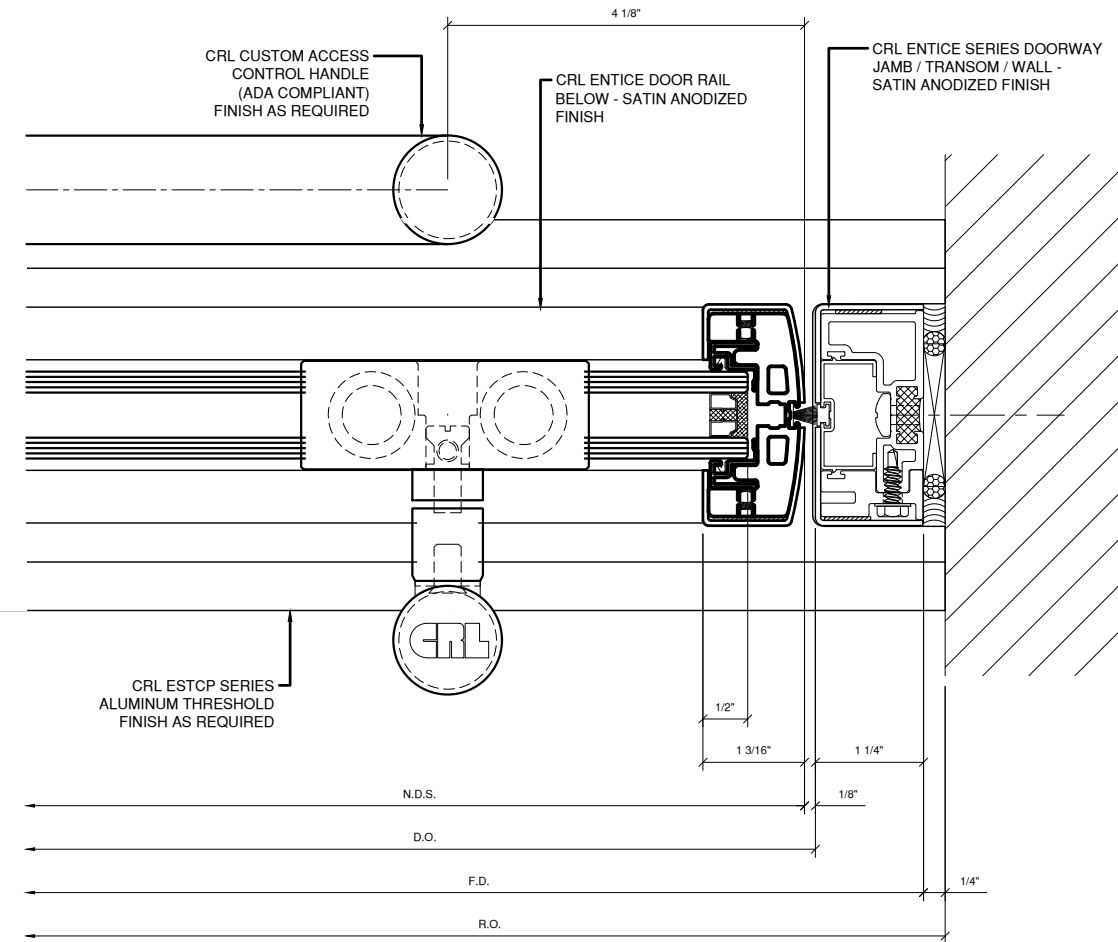
Revisions By:

CRL

2503 E. Vernon Avenue, Los Angeles, CA 90058-1897
PH (800)-421-6144 FX: 800-587-7501 www.crlaurence.com



1 DOOR JAMB WITH SIDELITE
1'-0" = 1'-0" ARCH. REF.: N/A



2 DOOR JAMB AT WALL
1'-0" = 1'-0" ARCH. REF.: N/A

Description:
ENTICE SERIES
ENTRANCE SYSTEM
CLAD IN
ALUMINUM FINISHES

Drawn By: RPD
Date: 01/28/20
Scale: AS NOTED
File Name:
Entice Entrance System SA, DU.dwg

Sheet

3.03

Revisions By:

CRL

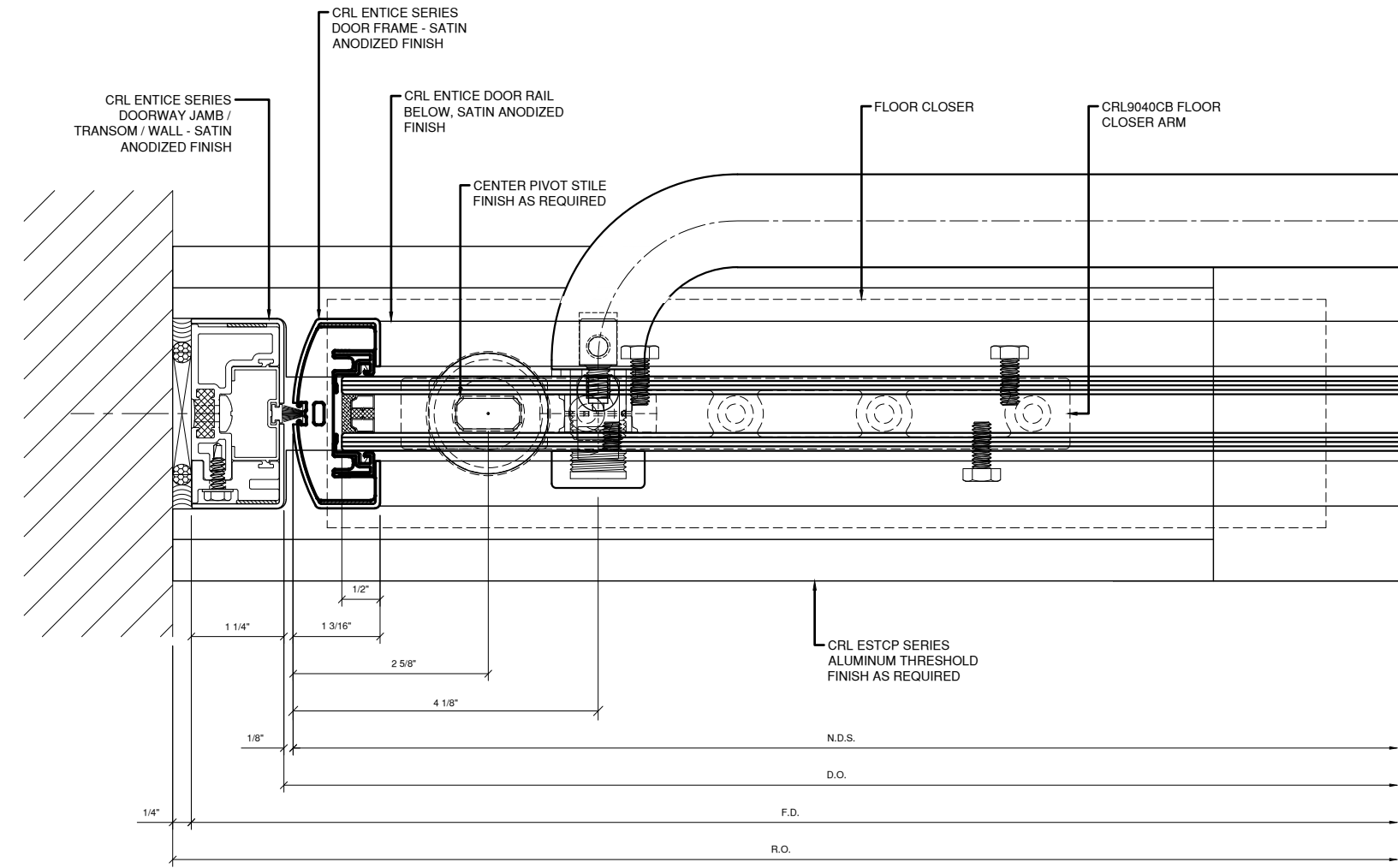
2503 E. Vernon Avenue, Los Angeles, CA 90058-1897
PH (800)-421-6144 FX: 800-587-7501 www.crlaurence.com

ENTICE SERIES
ENTRANCE SYSTEM
CLAD IN
ALUMINUM FINISHES

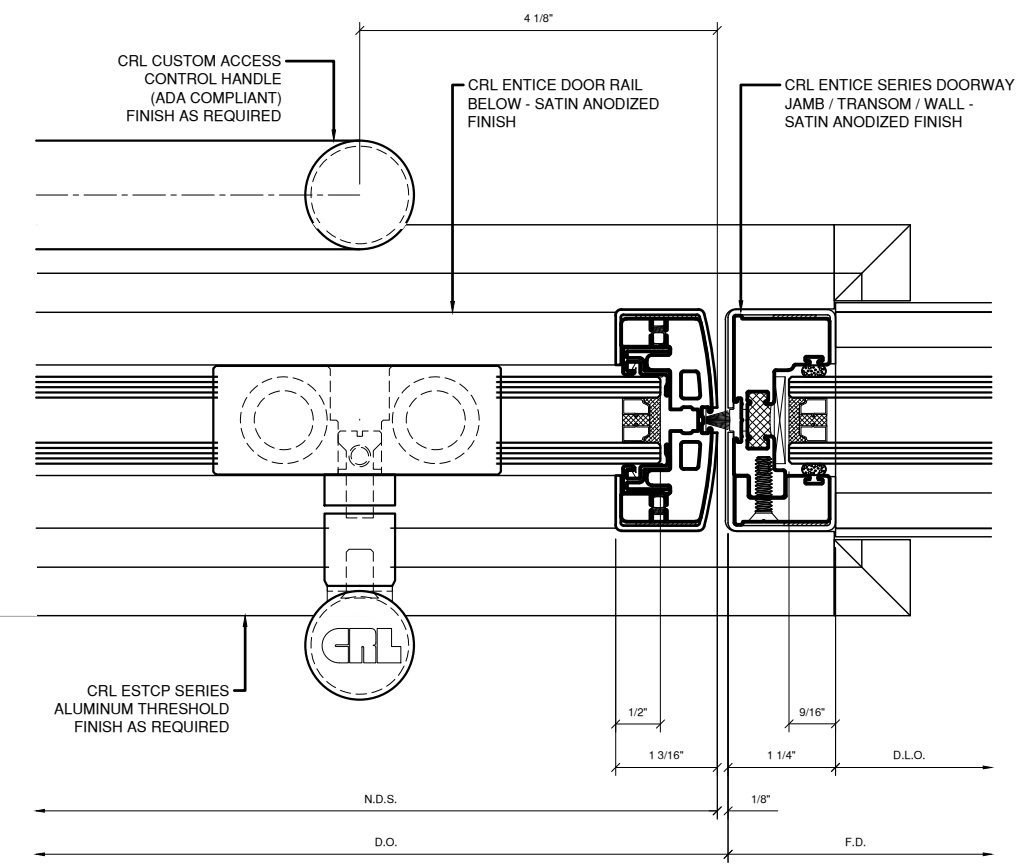
Description:

Drawn By: RPD
Date: 01/28/20
Scale: AS NOTED
File Name:
Entice Entrance System SA, DU.dwg
Sheet

3.04



1 DOOR JAMB AT WALL
1'-0" = 1'-0" ARCH. REF.: NA

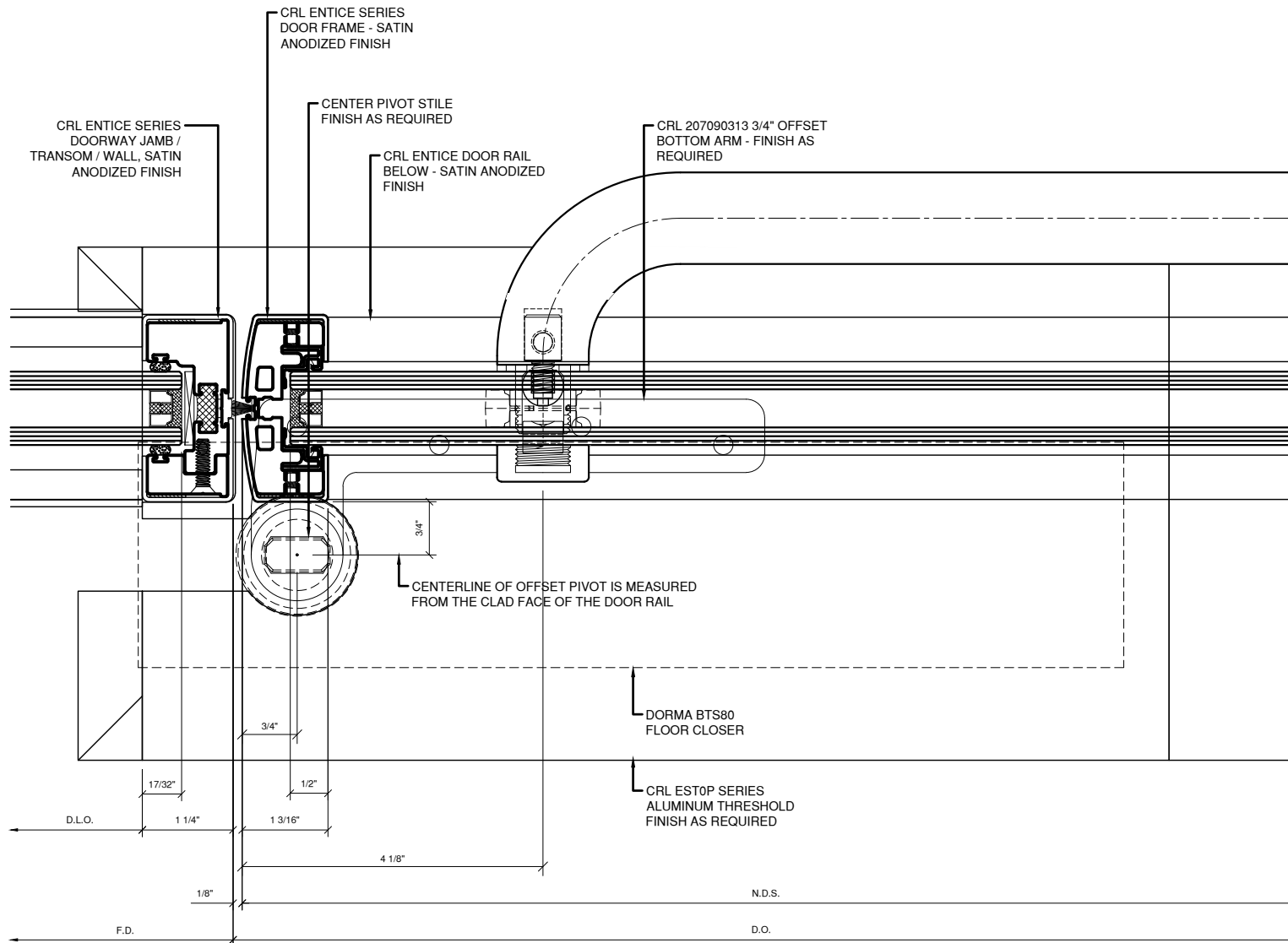


2 DOOR JAMB WITH SIDELITE
1'-0" = 1'-0" ARCH. REF.: NA

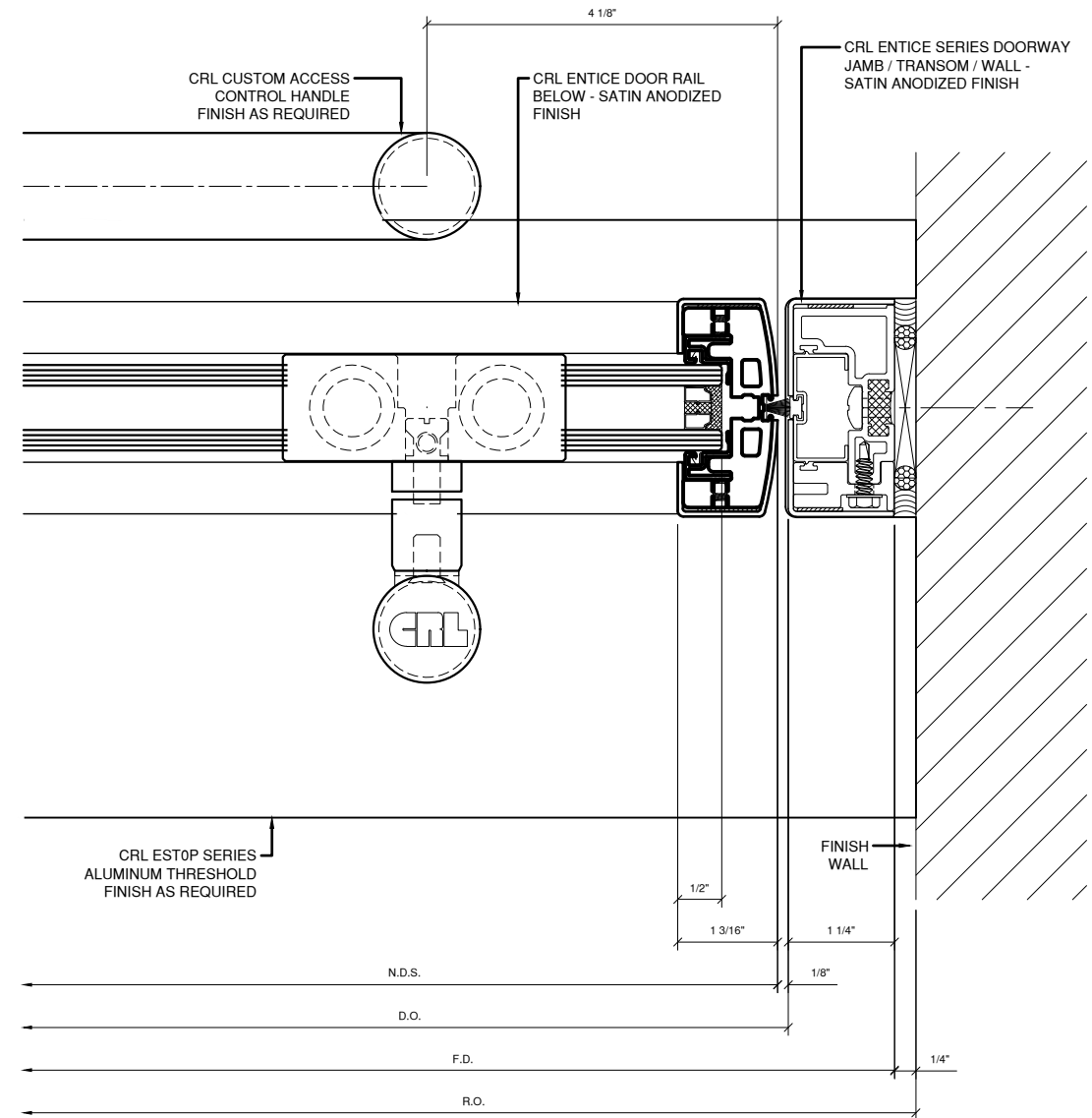
Revisions By:

CRL.

2503 E. Vernon Avenue, Los Angeles, CA 90058-1897
PH (800)-421-6144 FX: 800-587-7501 www.crlaurence.com



1 DOOR JAMB WITH SIDELITE
1'-0" = 1'-0" ARCH. REF.: N/A



2 DOOR JAMB AT WALL
1'-0" = 1'-0" ARCH. REF.: N/A

Description:
ENTICE SERIES
ENTRANCE SYSTEM
CLAD IN
ALUMINUM FINISHES

Drawn By: RPD
Date: 01/28/20
Scale: AS NOTED
File Name:
Entice Entrance System SA, DU.dwg

Sheet

3.05

Revisions By:

CRL.

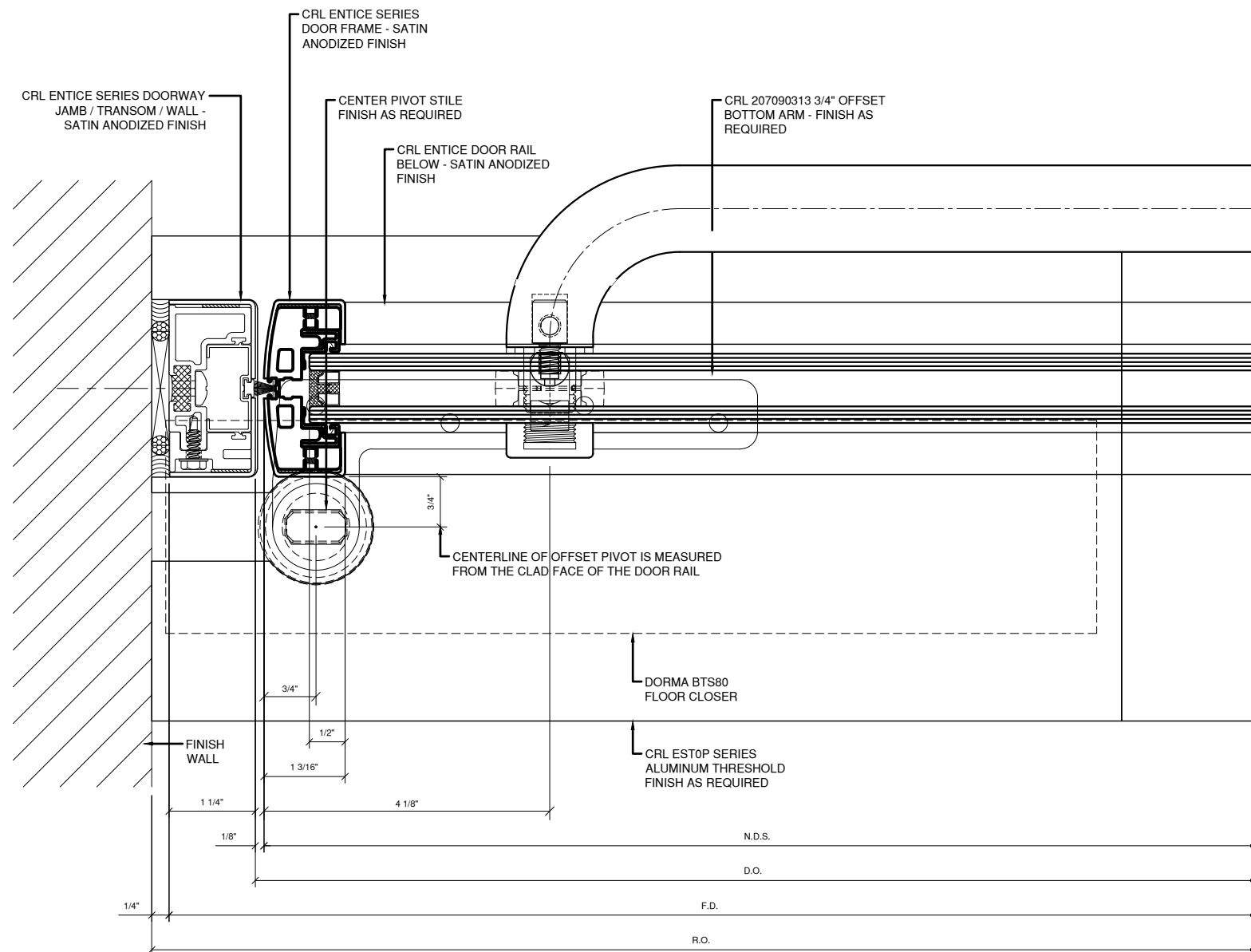
2503 E. Vernon Avenue, Los Angeles, CA 90058-1897
PH (800)-421-6144 FX: 800-587-7501 www.crlaurence.com

ENTICE SERIES
ENTRANCE SYSTEM
CLAD IN
ALUMINUM FINISHES

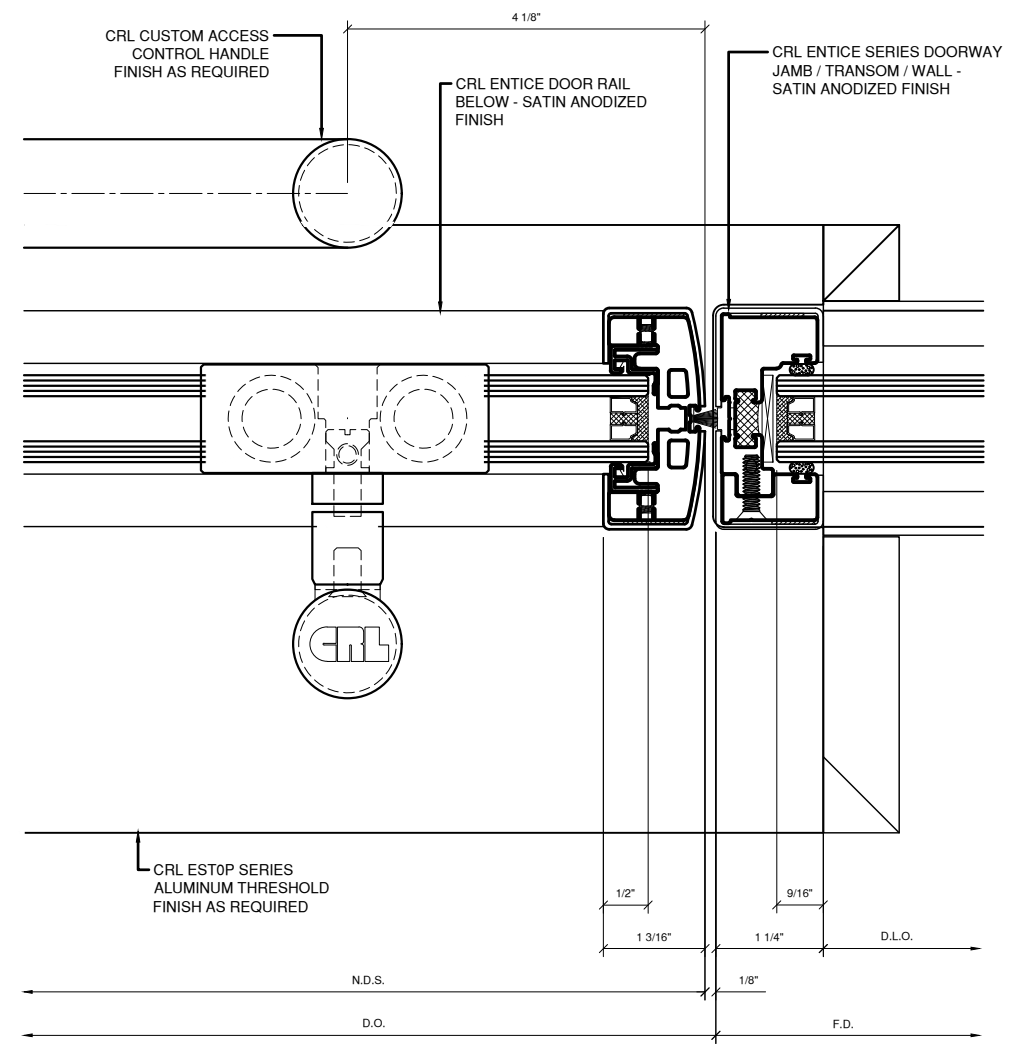
Drawn By: RPD
Date: 01/28/20
Scale: AS NOTED
File Name:
Entice Entrance System SA, DU.dwg

Sheet

3.06

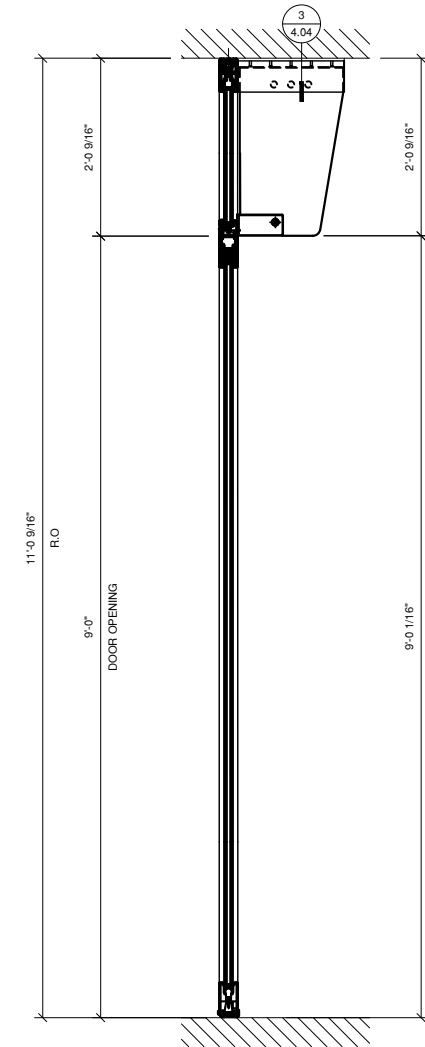
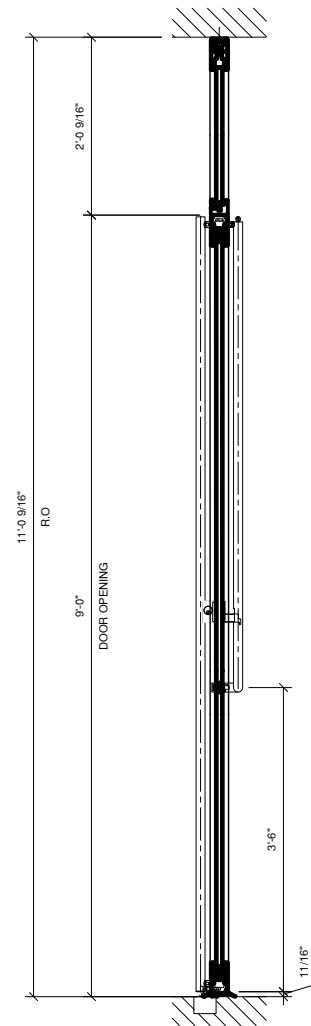
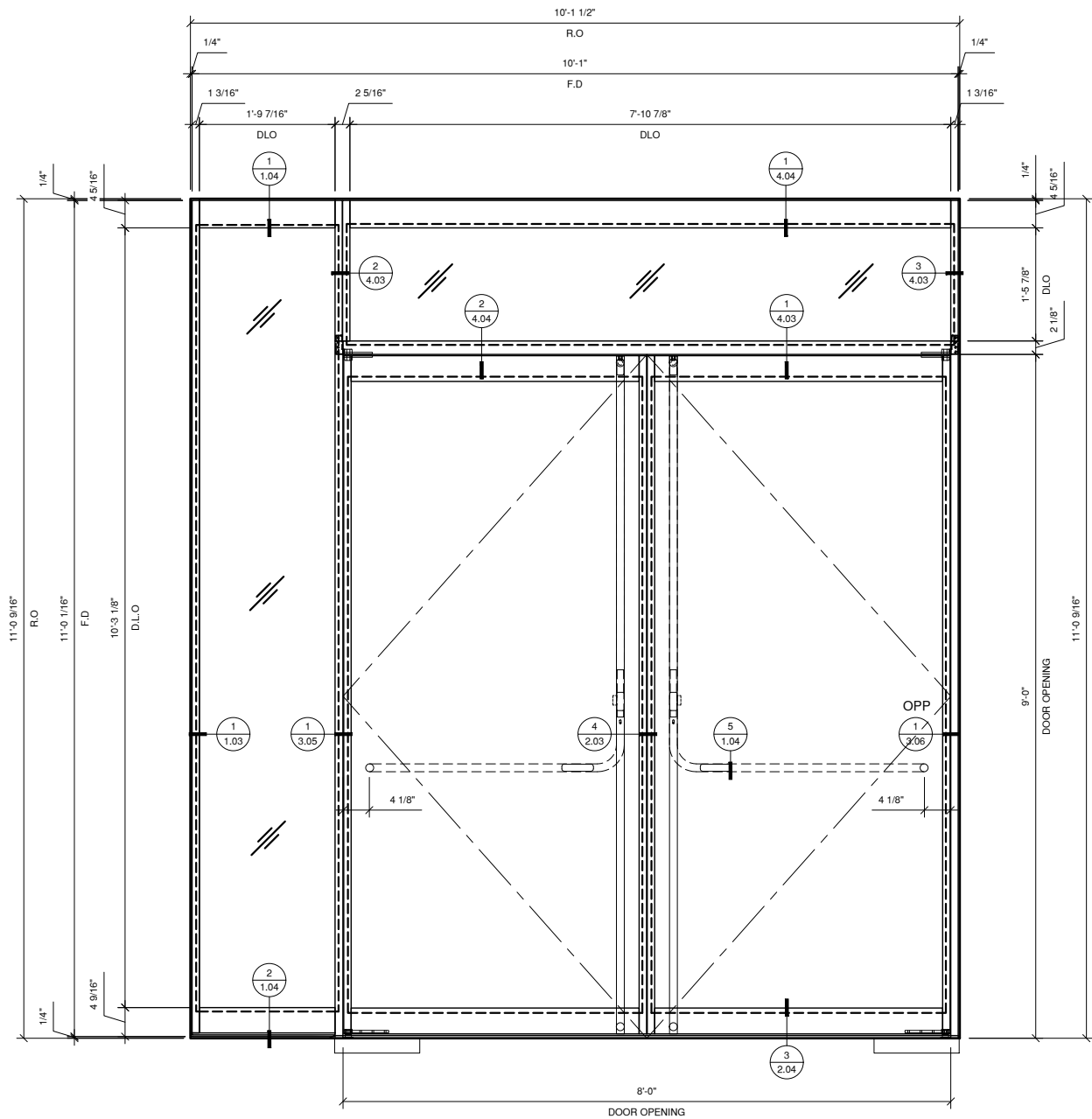
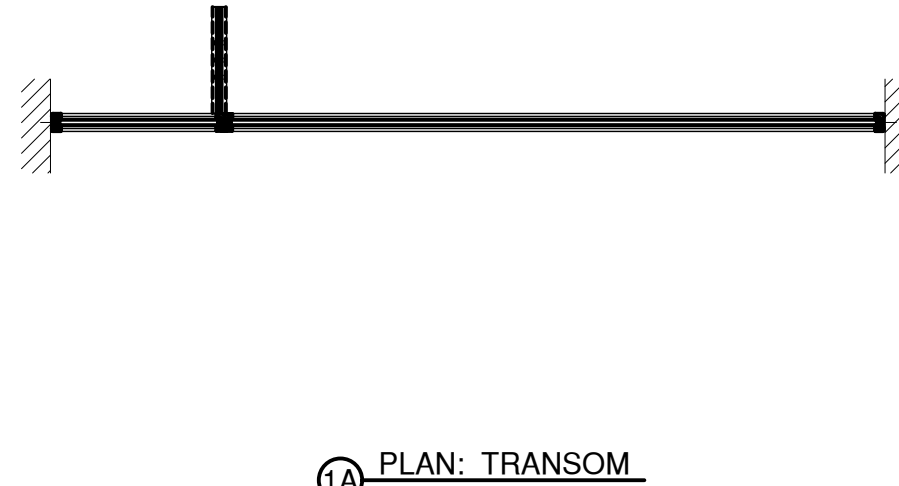
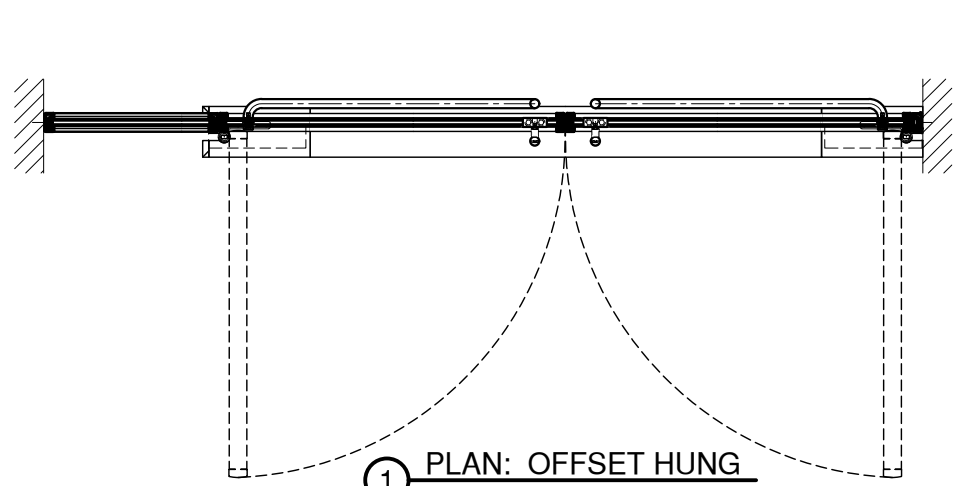


① DOOR JAMB AT WALL
1'-0" = 1'-0" ARCH. REF.: N/A



② DOOR JAMB AT SIDELITE
1'-0" = 1'-0" ARCH. REF.: N/A

ENTICE SERIES ENTRANCE SYSTEM SA & DU - OFFSET HUNG DOUBLE DOOR WITH 4 INCH BOTTOM RAIL AND TRANSOM



Revisions By:

CRL.

2003 E. Vernon Avenue, Los Angeles, CA 90008-1877
PH (800) 421-6144 FX (800) 421-7301 www.crl.com

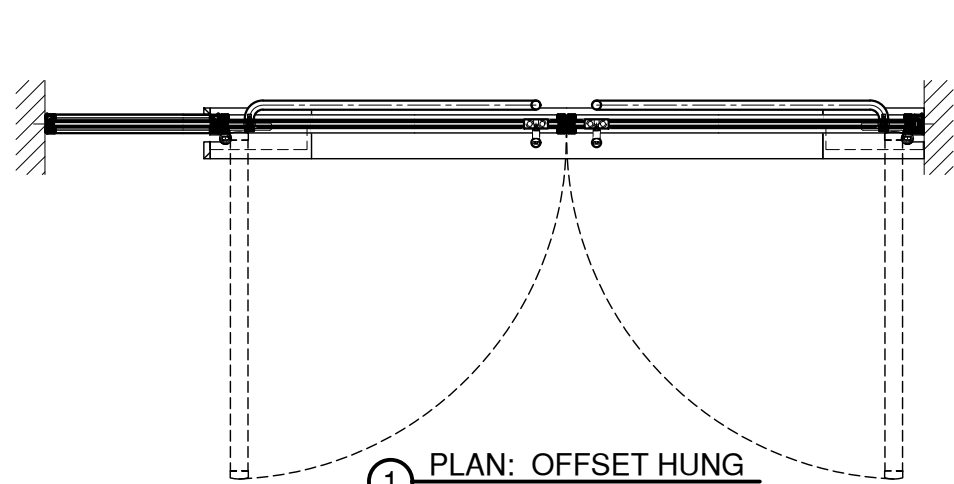
Description:
ENTICE SERIES
ENTRANCE SYSTEM
CLAD IN
ALUMINUM FINISHES

Drawn By: RPD
Date: 01/28/20
Scale: AS NOTED
File Name:
Entice Entrance System SA, DU.dwg

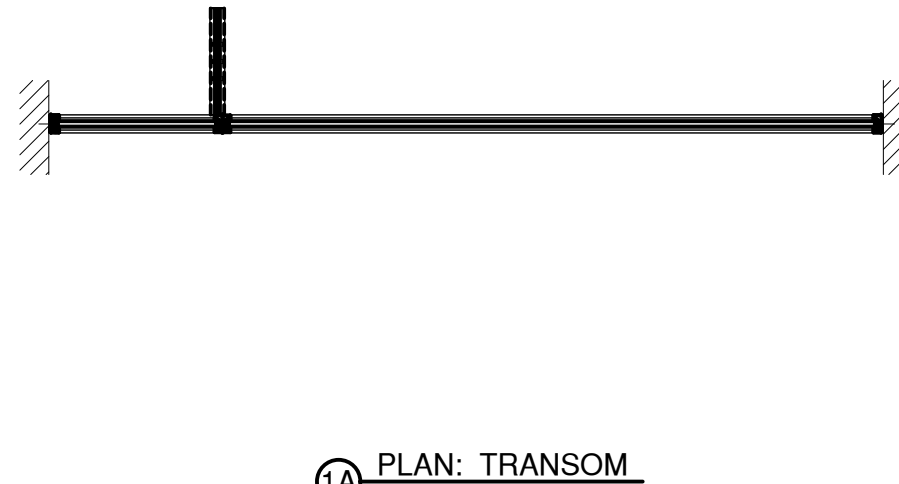
Sheet

4.01

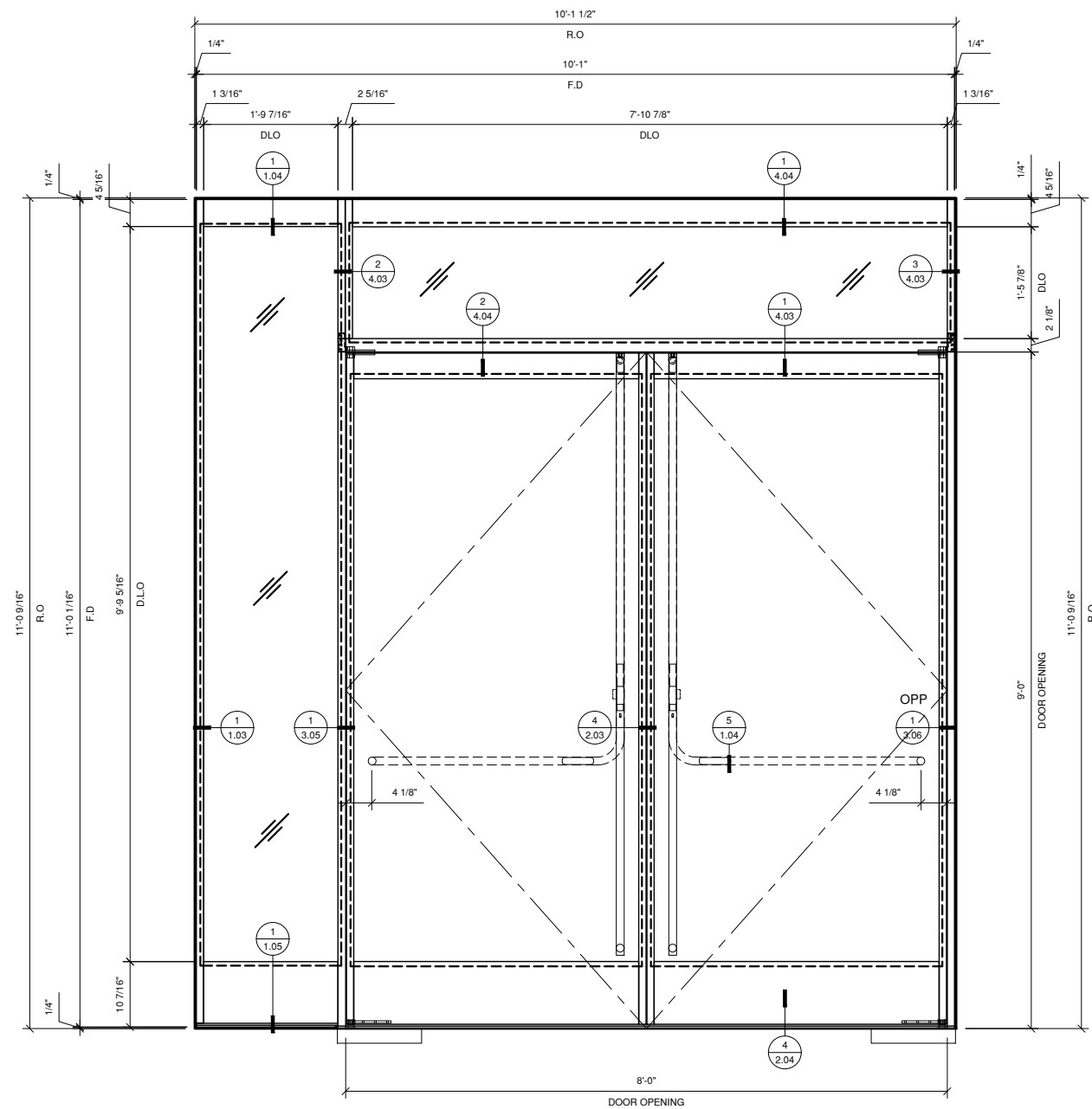
ENTICE SERIES ENTRANCE SYSTEM SA & DU - OFFSET HUNG DOUBLE DOOR WITH 10 INCH BOTTOM RAIL AND TRANSOM



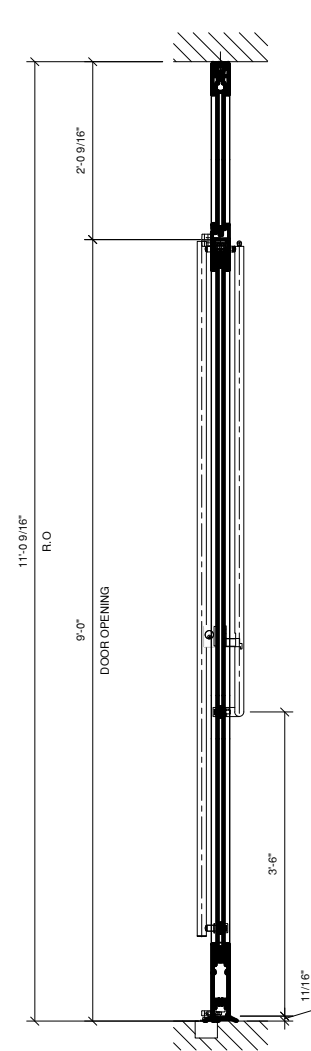
1 PLAN: OFFSET HUNG
1" = 1'-0" ARCH. REF.: N/A



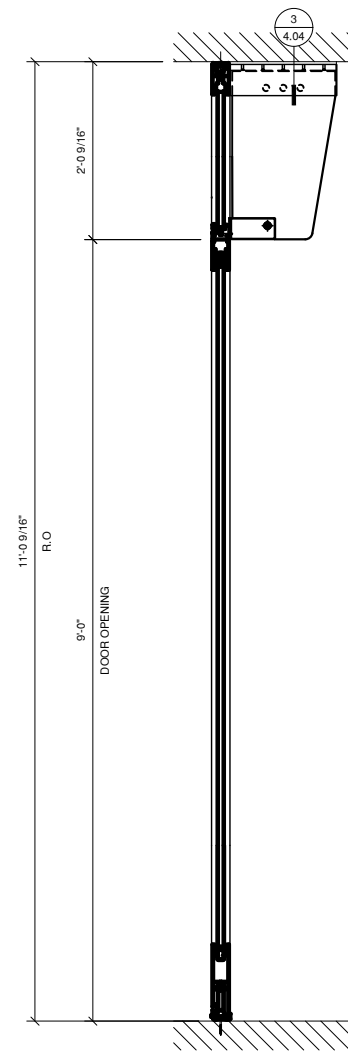
1A PLAN: TRANSOM
1" = 1'-0" ARCH. REF.: N/A



2 EXTERIOR ELEVATION
1" = 1'-0" ARCH. REF.: N/A



3 DOOR SECTION
1" = 1'-0" ARCH. REF.: N/A



4 SIDELIGHT SECTION
1" = 1'-0" ARCH. REF.: N/A

Revisions By:

CRL.

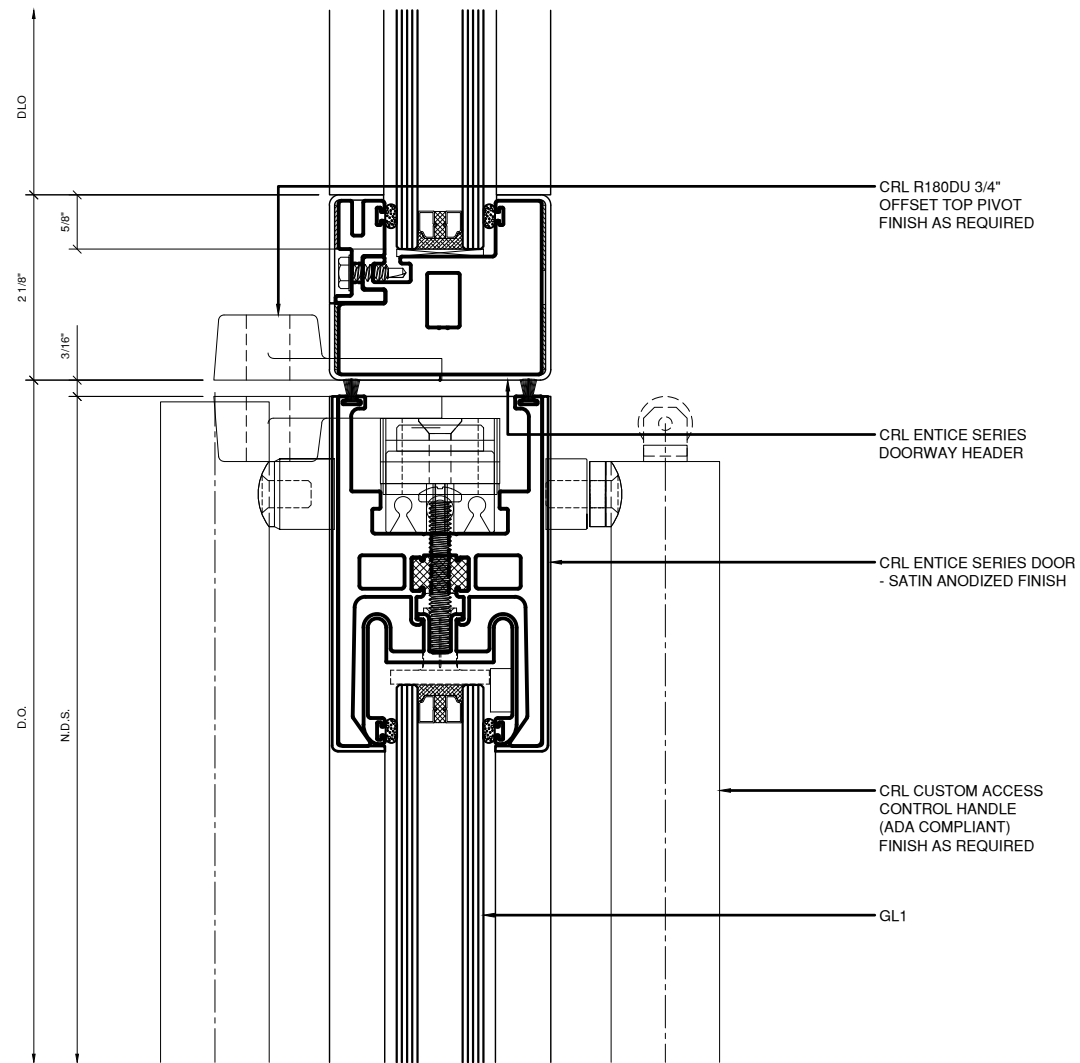
2503 E. Vernon Avenue, Los Angeles, CA 90058-1897
PH (800)-421-6144 FX: 800-587-7501 www.crlaurence.com

Description:
ENTICE SERIES
ENTRANCE SYSTEM
CLAD IN
ALUMINUM FINISHES

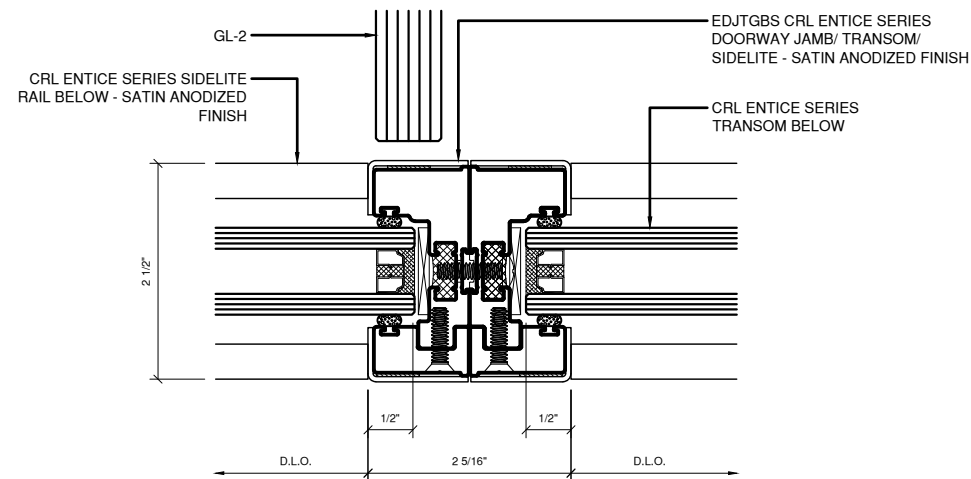
Drawn By: RPD
Date: 01/28/20
Scale: AS NOTED
File Name:
Entice Entrance System SA, DU.dwg

Sheet

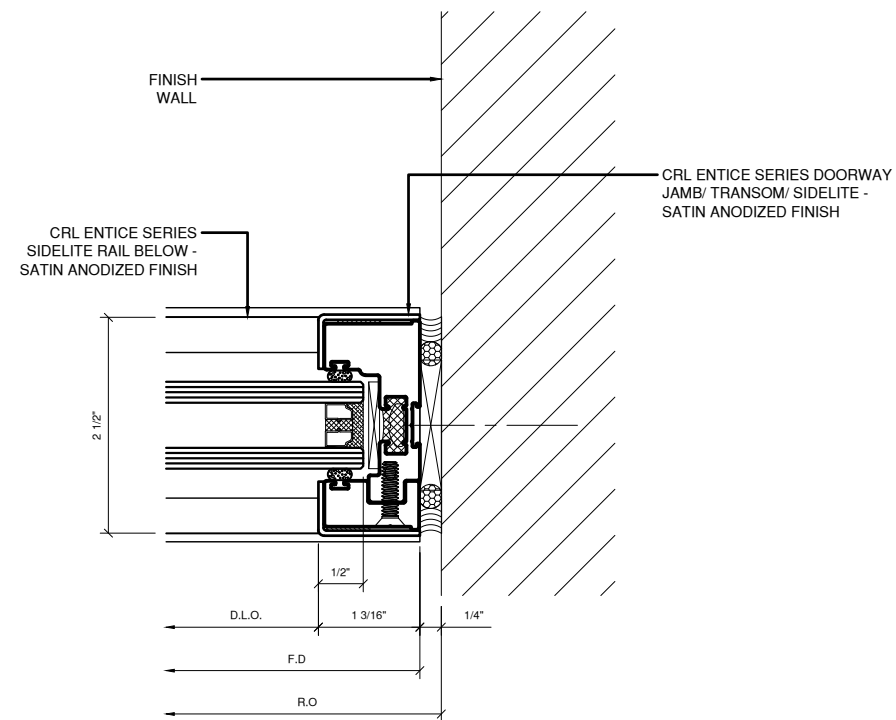
4.02



1 DOOR HEAD / TRANSOM
1'-0" = 1'-0" ARCH. REF.: N/A



2 ENTICE SIDELITE AT TRANSOM
1'-0" = 1'-0" ARCH. REF.: N/A



3 ENTICE TRANSOM AT WALL DETAIL
1'-0" = 1'-0" ARCH. REF.: N/A

Revisions By:

CRL.

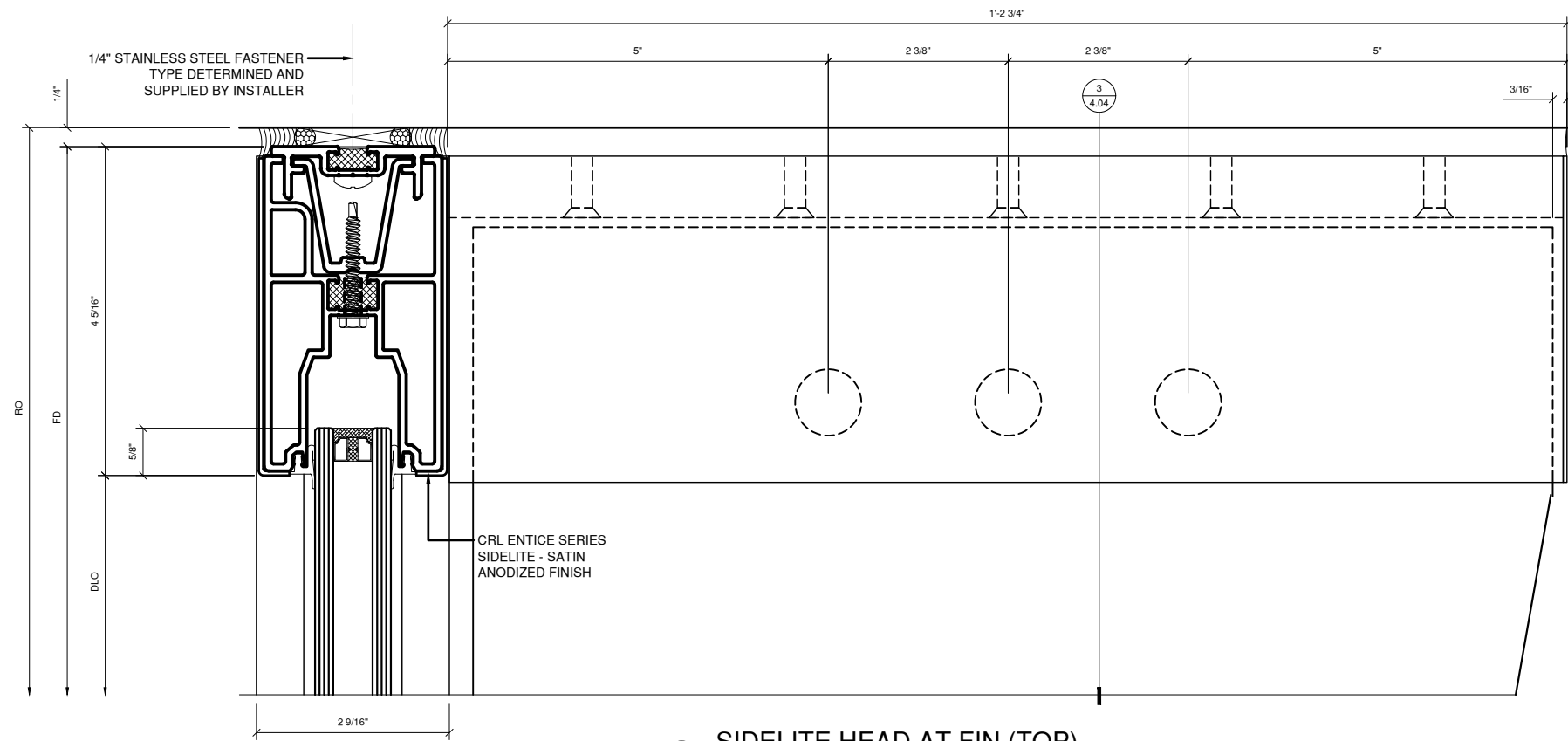
2503 E. Vernon Avenue, Los Angeles, CA 90058-1897
PH (800)-421-6144 FX: 800-587-7501 www.crlaurence.com

ENTICE SERIES
ENTRANCE SYSTEM
CLAD IN
ALUMINUM FINISHES

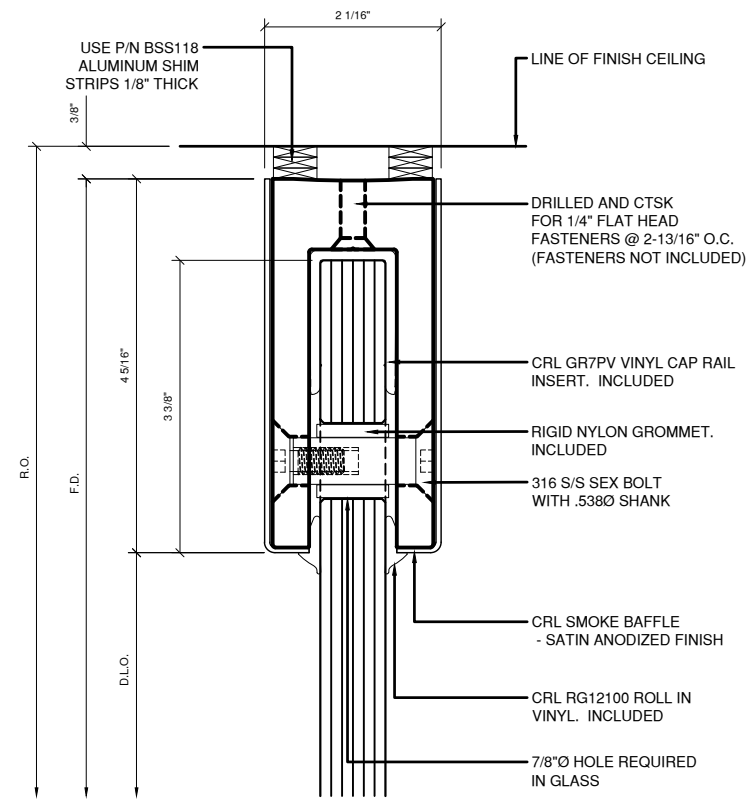
Drawn By: RPD
Date: 01/28/20
Scale: AS NOTED
File Name:
Entice Entrance System SA, DU.dwg

Sheet

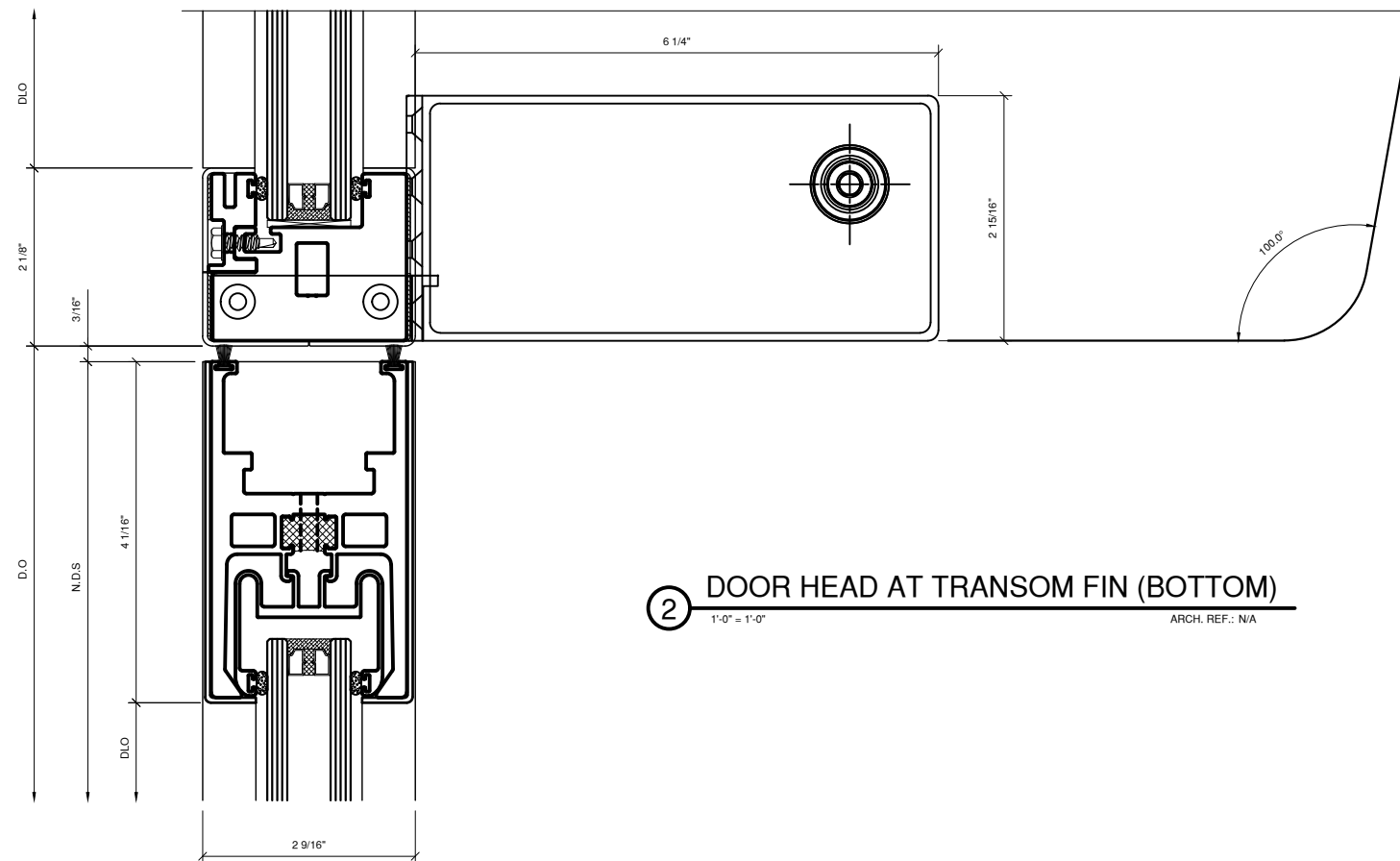
4.03



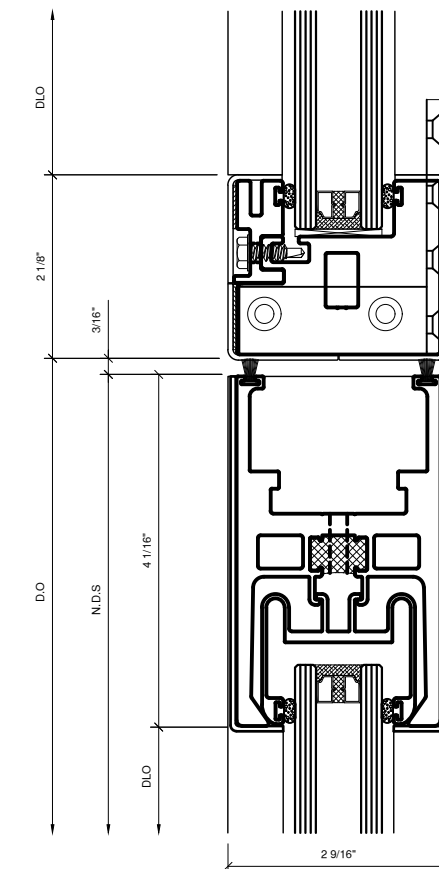
1 SIDELITE HEAD AT FIN (TOP)
1'-0" = 1'-0" ARCH. REF.: N/A



3 SUPPORT FIN TOP MOUNT
1'-0" = 1'-0" ARCH. REF.: N/A



2 DOOR HEAD AT TRANSOM FIN (BOTTOM)
1'-0" = 1'-0" ARCH. REF.: N/A



4 DOOR HEAD AT TRANSOM / BRACKET (BOTTOM)
1'-0" = 1'-0" ARCH. REF.: N/A

Revisions By:

CRL

2503 E. Vernon Avenue, Los Angeles, CA 90058-1897
PH (800)-421-6144 FX: 800-587-7501 www.crlaurence.com

Description:
ENTICE SERIES
ENTRANCE SYSTEM
CLAD IN
ALUMINUM FINISHES

Drawn By: RPD
Date: 01/28/20
Scale: AS NOTED
File Name:
Entice Entrance System SA, DU.dwg

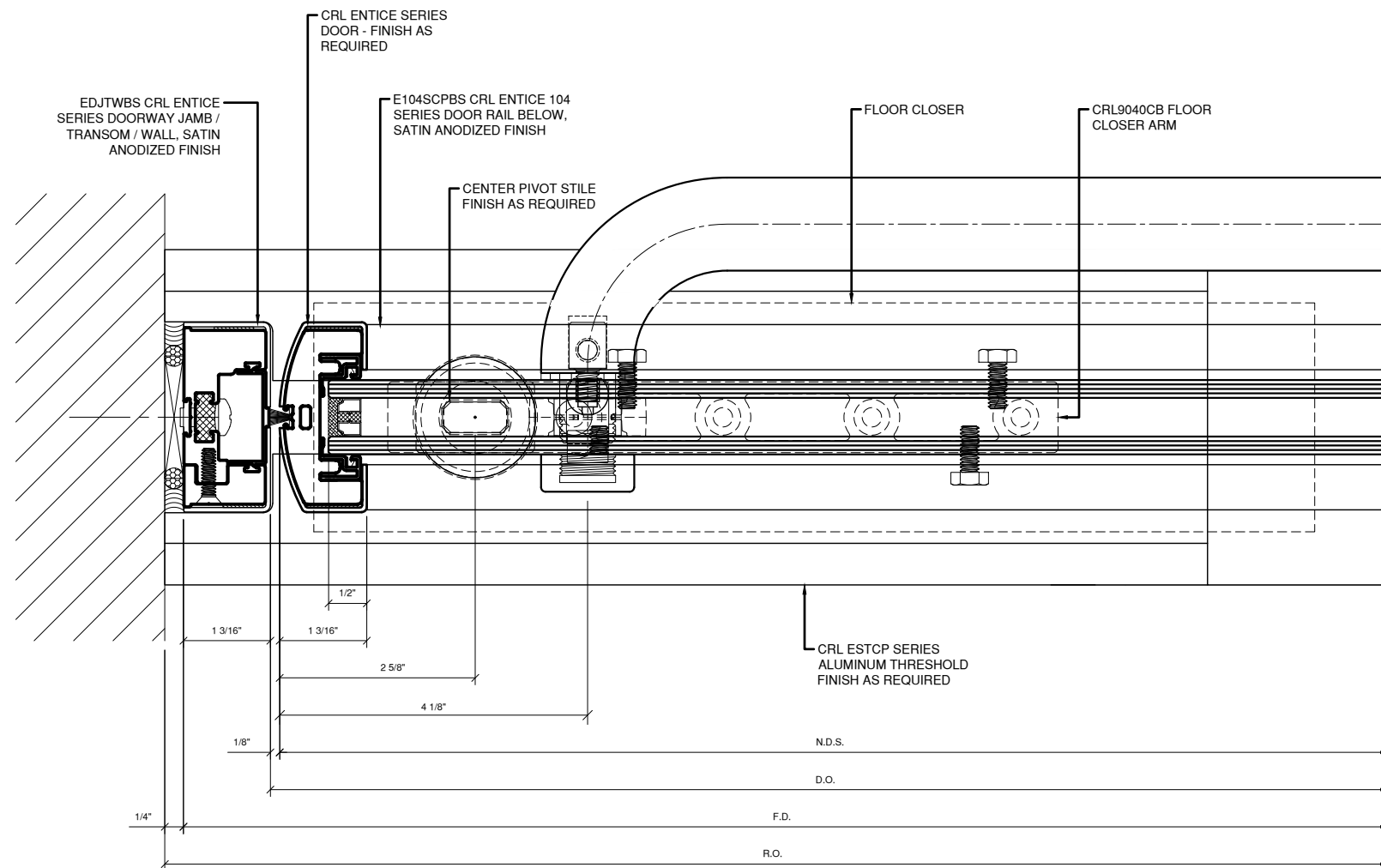
Sheet

4.04

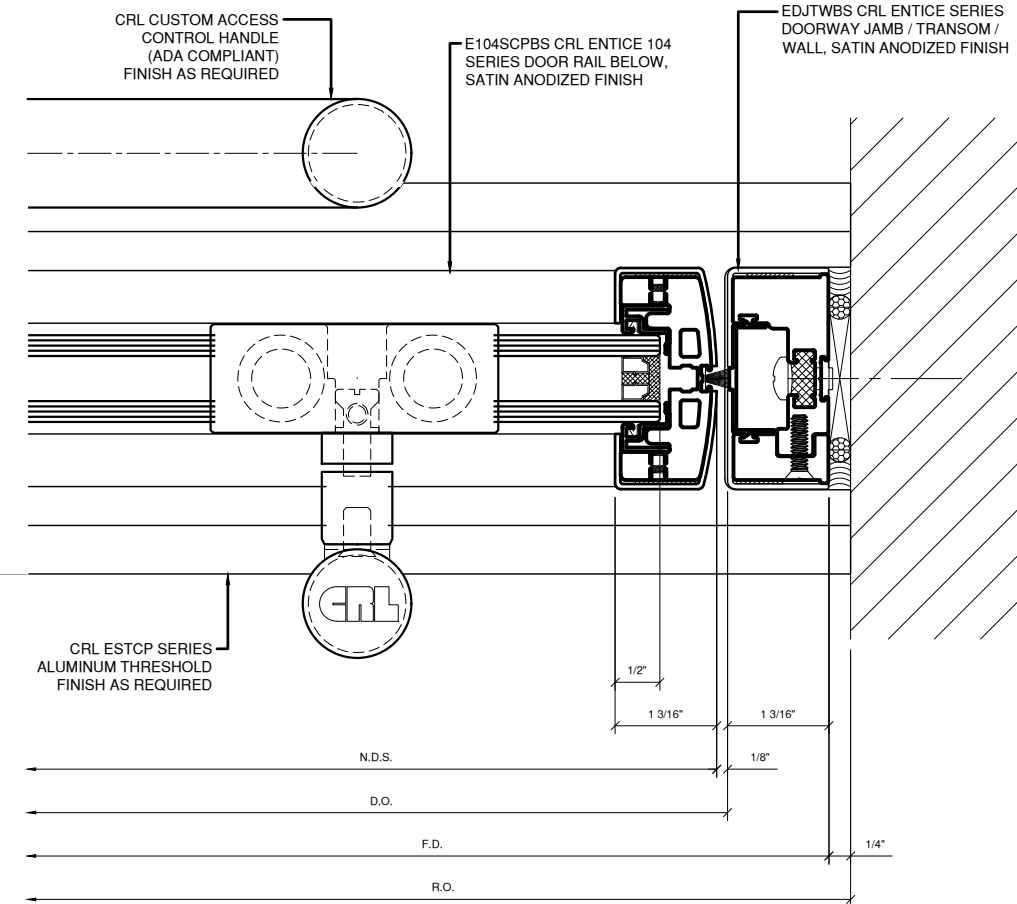
Revisions By:

CRL

2503 E. Vernon Avenue, Los Angeles, CA 90058-1897
PH (800)-421-6144 FX: 800-587-7501 www.crlaurence.com



1 DOOR JAMB AT WALL : W/ TRANSOM ABOVE
1'-0" = 1'-0" ARCH. REF.: N/A



2 DOOR JAMB AT WALL: W/ TRANSOM ABOVE
1'-0" = 1'-0" ARCH. REF.: N/A

Description:
ENTICE SERIES
ENTRANCE SYSTEM
CLAD IN
ALUMINUM FINISHES

Drawn By: RPD
Date: 01/28/20
Scale: AS NOTED
File Name:
Entice Entrance System SA, DU.dwg

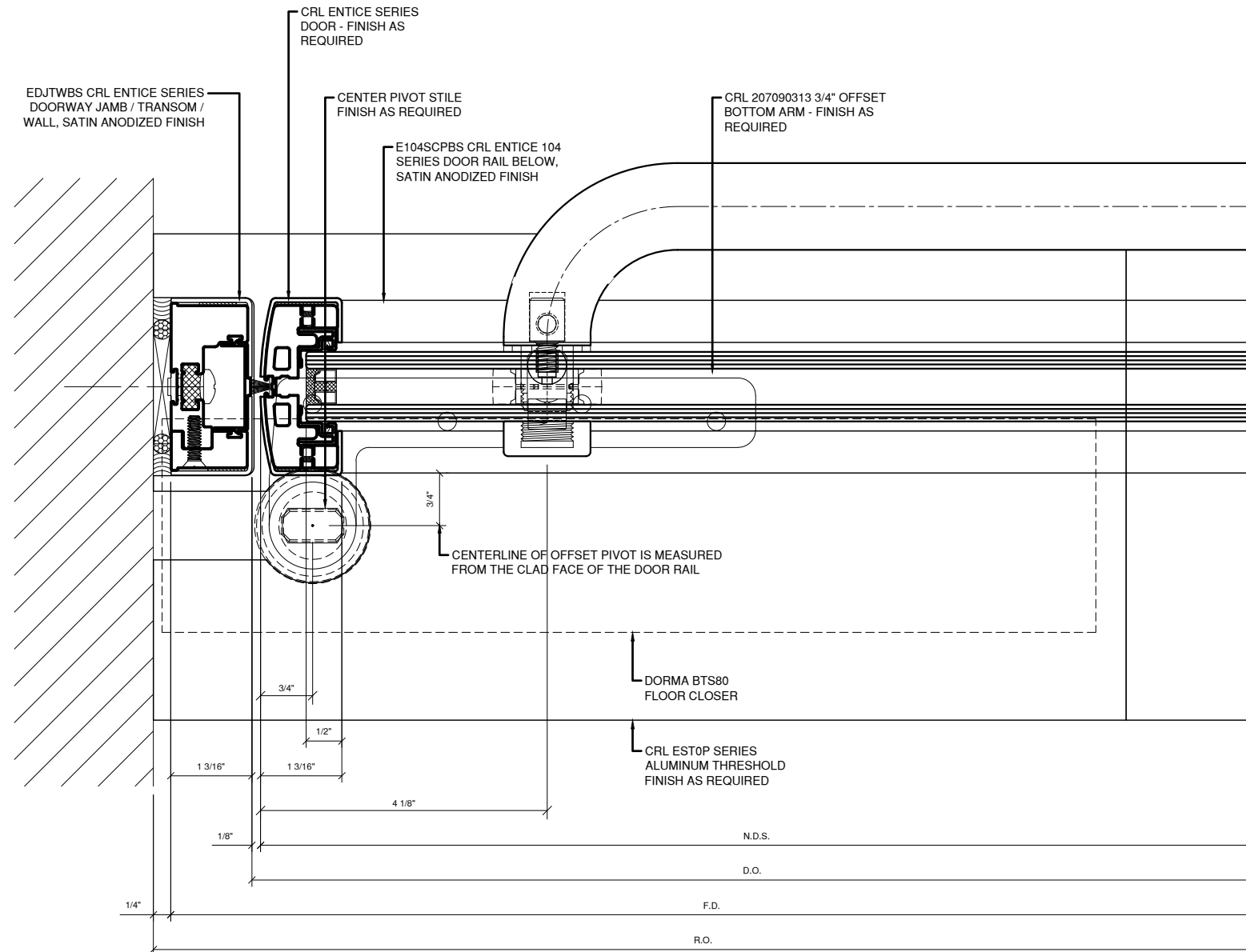
Sheet

4.05

Revisions By:

CRL.

2503 E. Vernon Avenue, Los Angeles, CA 90058-1897
PH (800)-421-6144 FX: 800-587-7501 www.crlaurence.com



1 DOOR JAMB AT WALL: W/ TRANSOM ABOVE
 1'-0" = 1'-0" ARCH. REF.: N/A

Description:
 ENTICE SERIES
 ENTRANCE SYSTEM
 CLAD IN
 ALUMINUM FINISHES

Drawn By: RPD
 Date: 01/28/20
 Scale: AS NOTED
 File Name:
 Entice Entrance System SA, DU.dwg

Sheet

4.06