

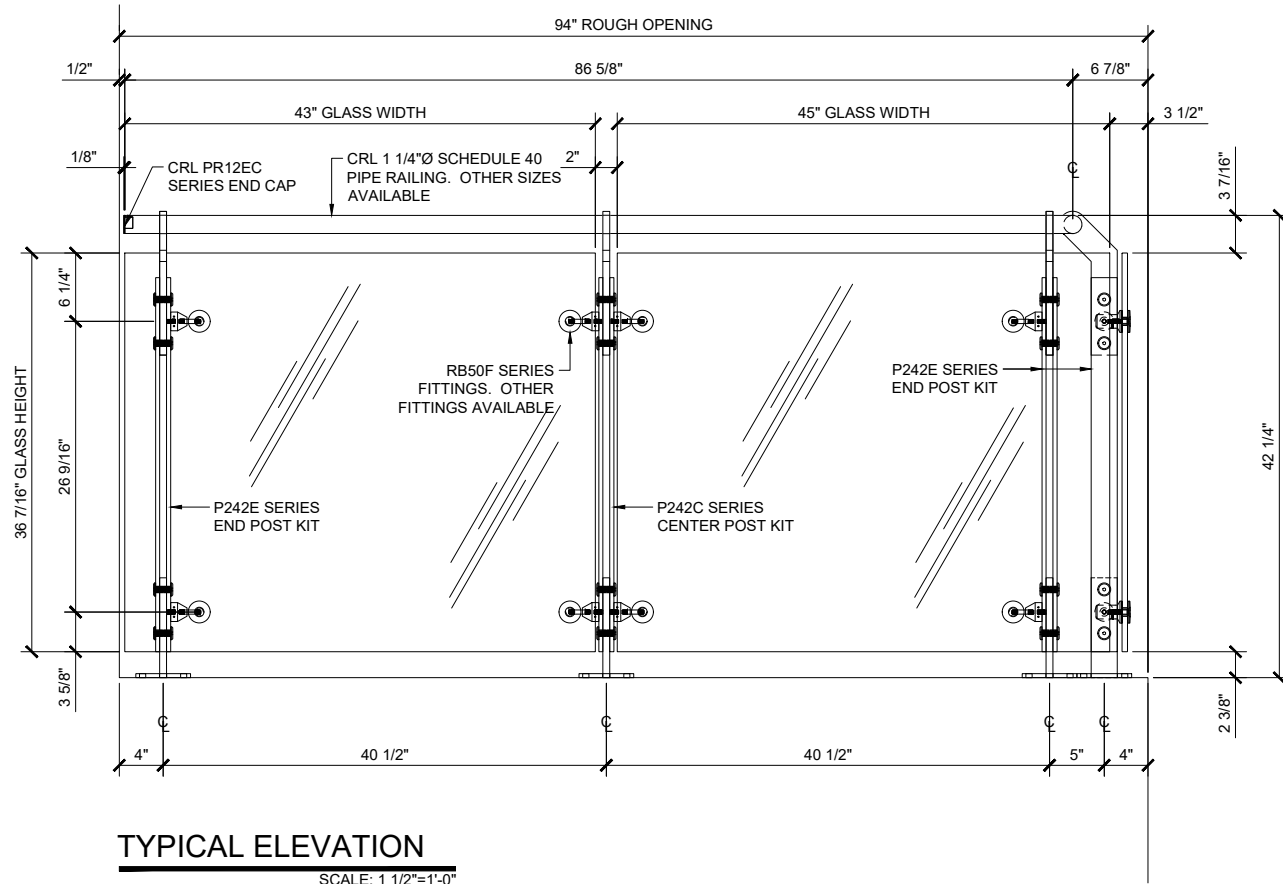
CRL P2 SERIES POST RAILING SYSTEM

* DESIGNED TO ACCEPT 1/2" TO 27/32" TEMPERED GLASS

* POST SUPPORTS 1 1/4"Ø SCHEDULE 40 (1.66" O.D.) PIPE RAILING

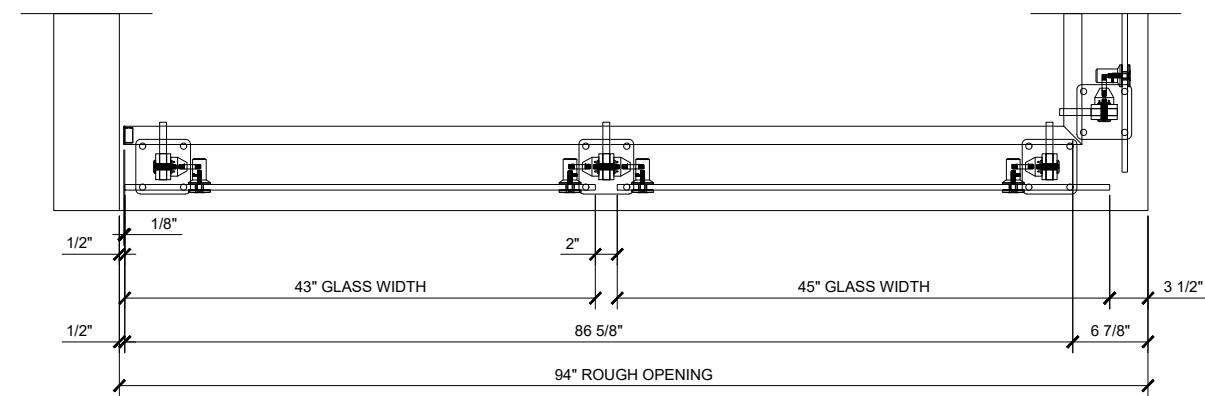
* 36" AND 42" STANDARD POST HEIGHTS WITH CUSTOM HEIGHTS AVAILABLE

* TWO STANDARD STAINLESS STEEL FINISHES WITH CUSTOM POWDER PAINT FINISHES ALSO AVAILABLE



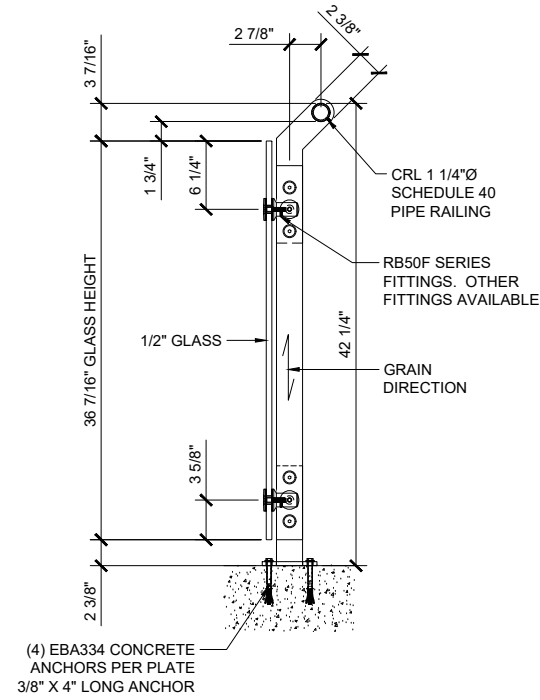
TYPICAL ELEVATION

SCALE: 1 1/2"=1'-0"



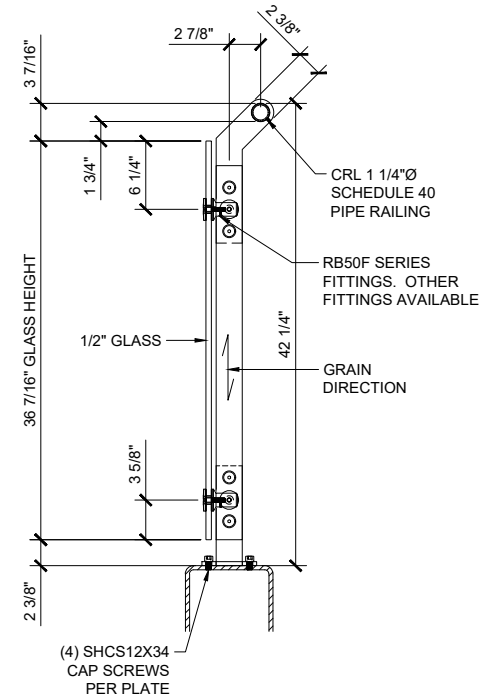
TYPICAL PLAN VIEW

SCALE: 1 1/2"=1'-0"



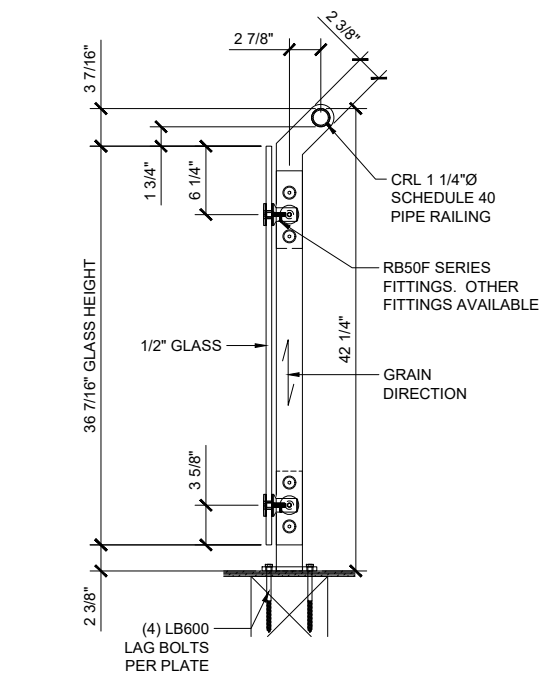
CONCRETE MOUNT

SCALE: 1 1/2"=1'-0"



STEEL MOUNT

SCALE: 1 1/2"=1'-0"



WOOD MOUNT

SCALE: 1 1/2"=1'-0"

Revisions By:

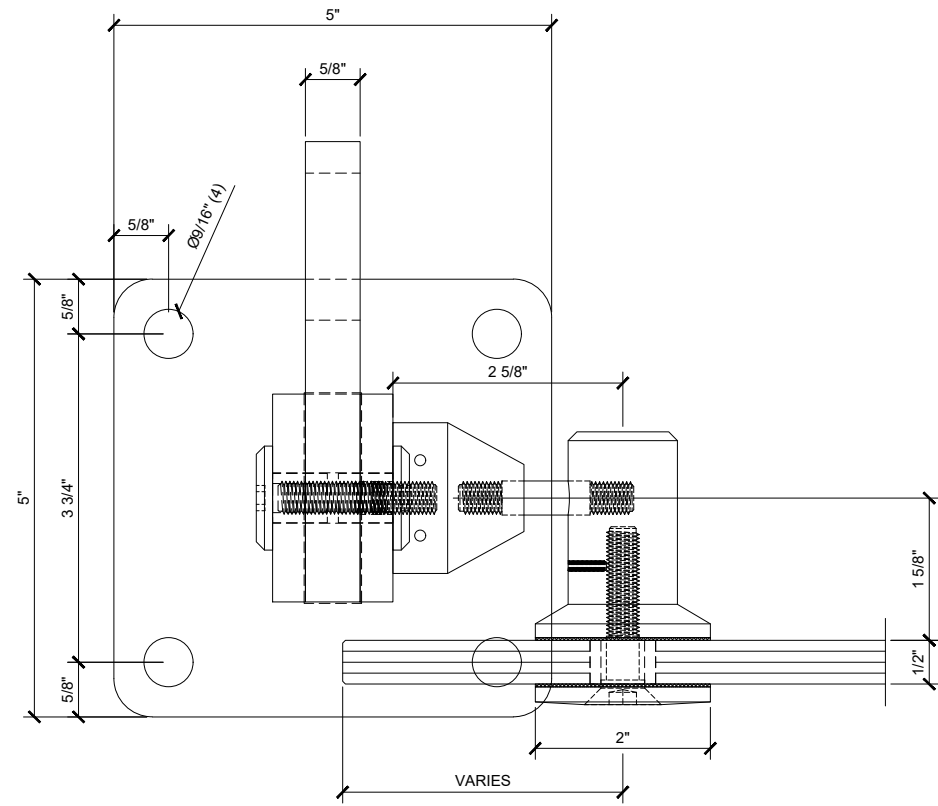


Description:
CRL P2-SERIES
POST RAILING SYSTEMS
SYS0071B

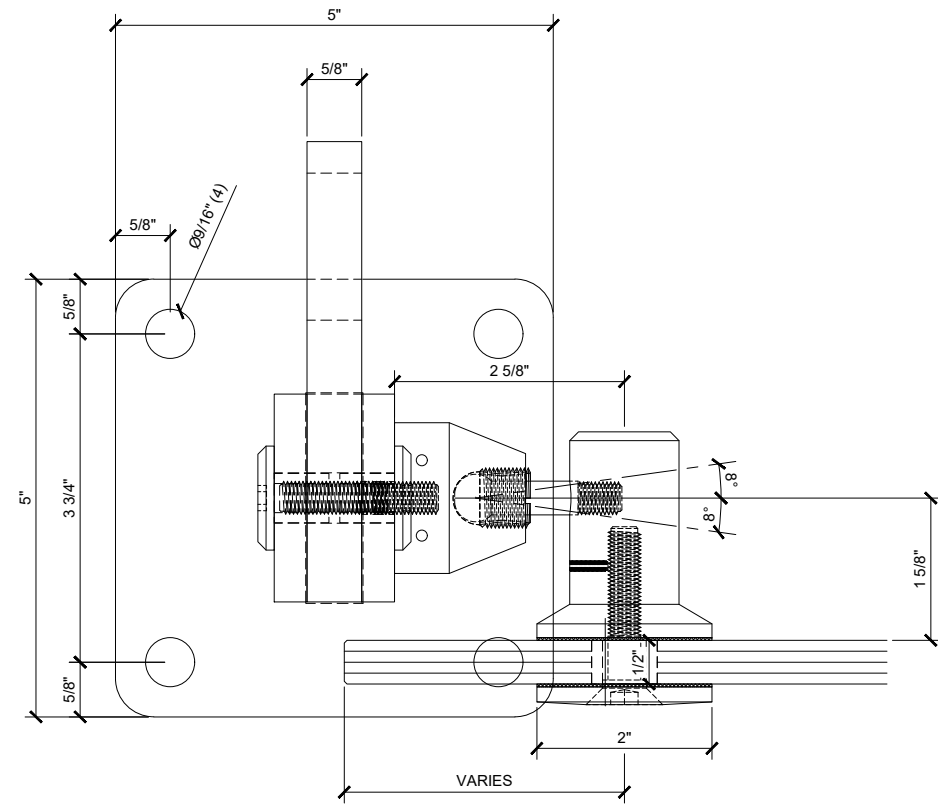
Drawn By: SDH
Date: 03/08/2017
Scale: AS NOTED
File Name: SYS0071B P2 Series Stainless Steel Post Railing Systems

Sheet

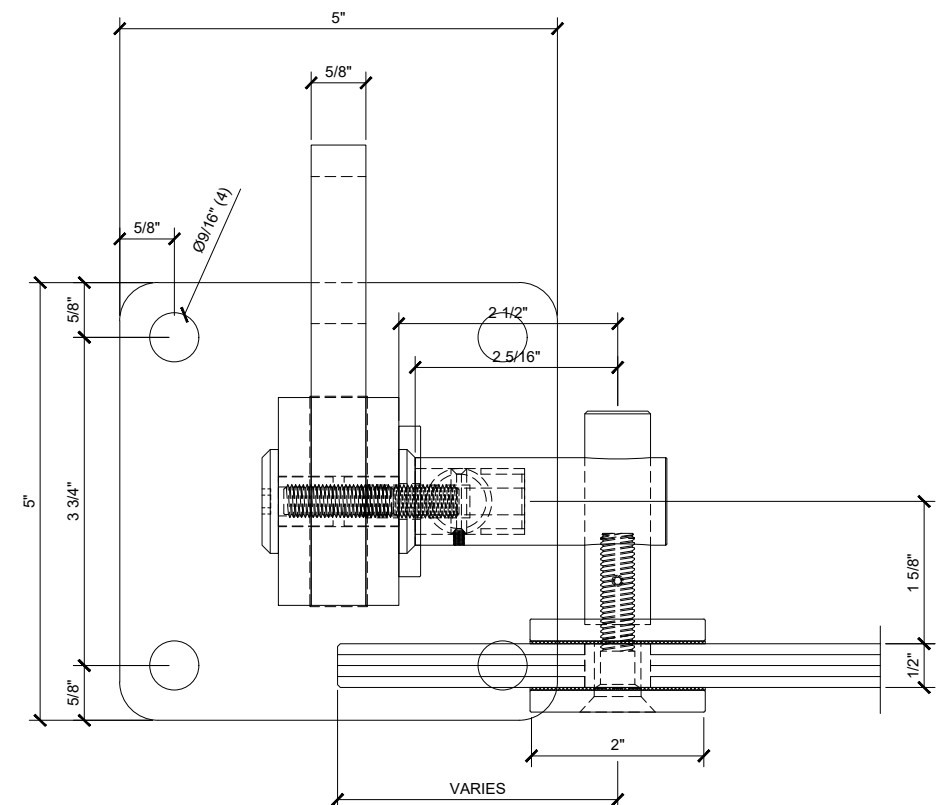
1.01



RB50F FIXED FITTING / FLANGE
SCALE: 1'-0"=1'-0"



RB50F SWIVEL FITTING / FLANGE
SCALE: 1'-0"=1'-0"



RB51F FIXED FITTING / FLANGE
SCALE: 1'-0"=1'-0"

Revisions By:

CRL ALUMINUM
C.R. LAURENCE CO. ARCHITECTURAL PRODUCTS
2503 E. Vermont Avenue, Los Angeles, CA 90058-1897
PH: (800) 421-6144 FAX: (800) 587-7501 www.crlaurence.com

Description:
CRL P2-SERIES
POST RAILING SYSTEMS
SYS0071B

Drawn By: SDH
Date: 03/08/2017
Scale: AS NOTED
File Name:
SYS0071B P2 Series Stainless Steel Post Railing Systems

Sheet

2.01