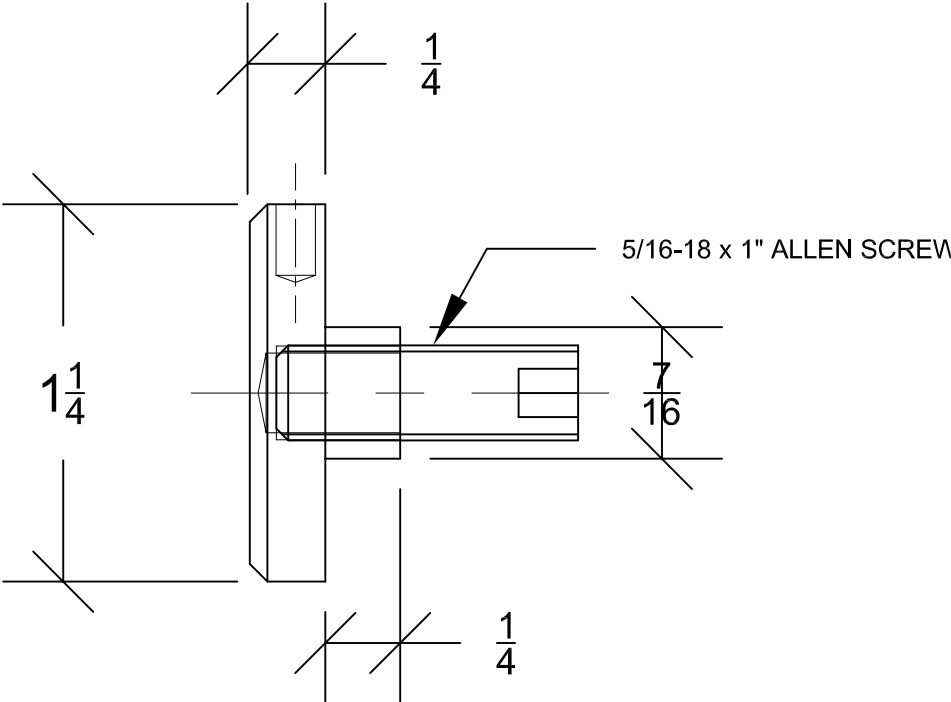


REV	DESCRIPTION	DATE	BY



# CAP114xx