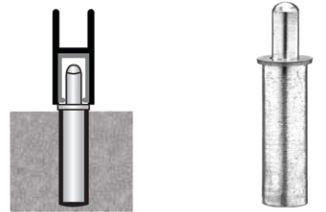
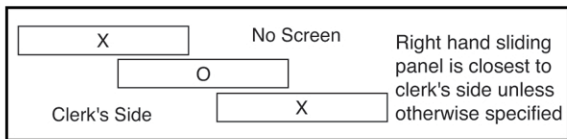
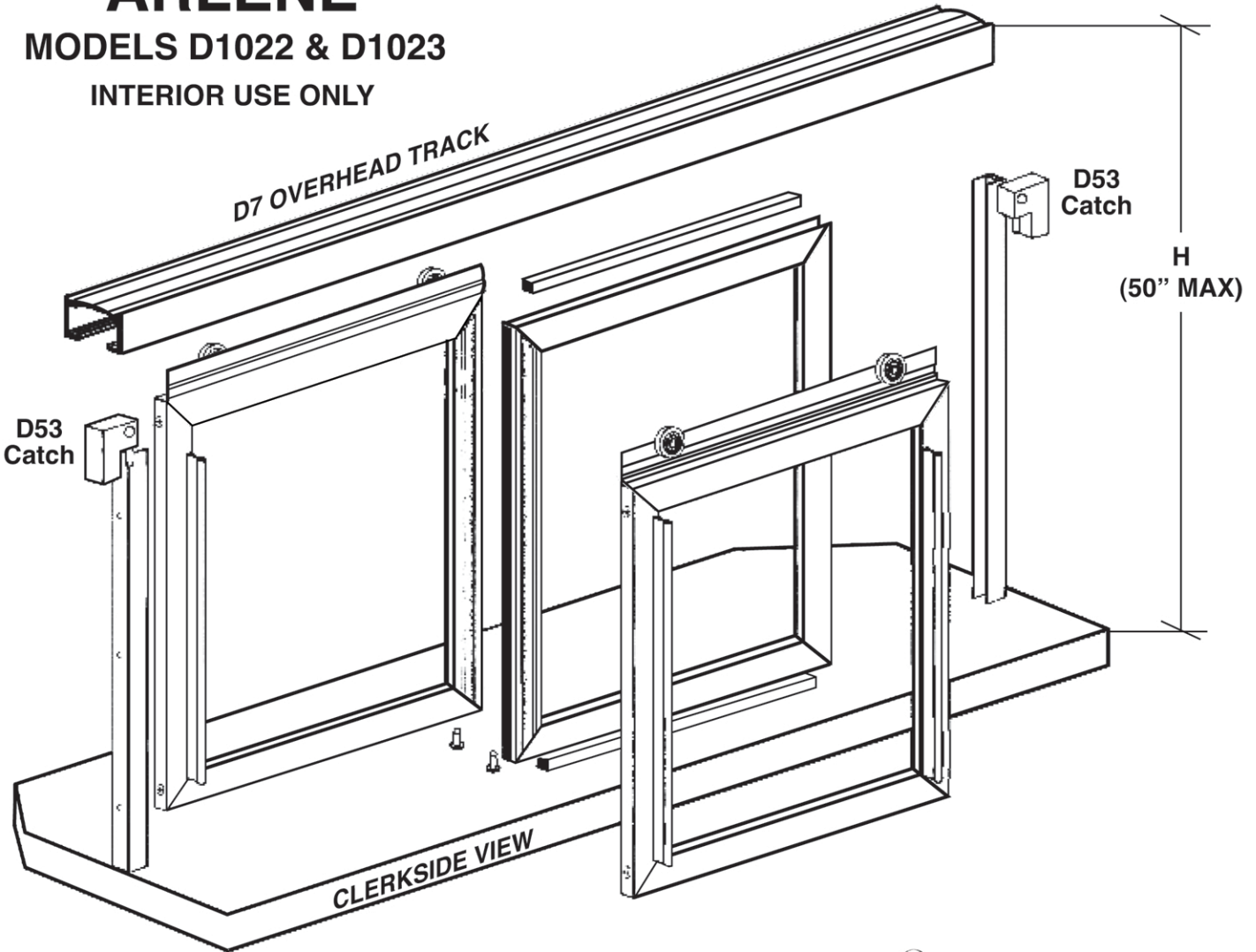


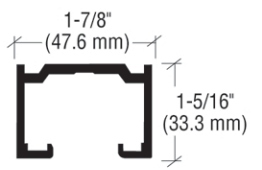
“ARLENE”

MODELS D1022 & D1023

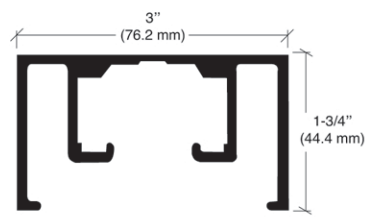
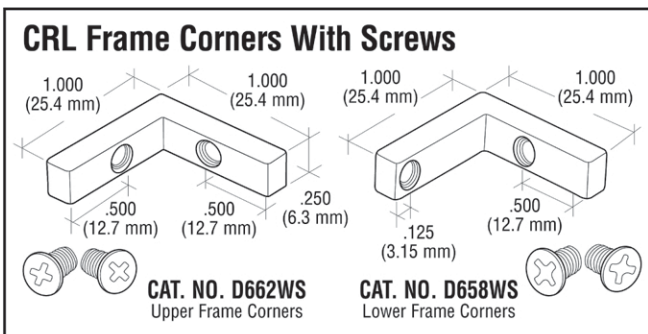
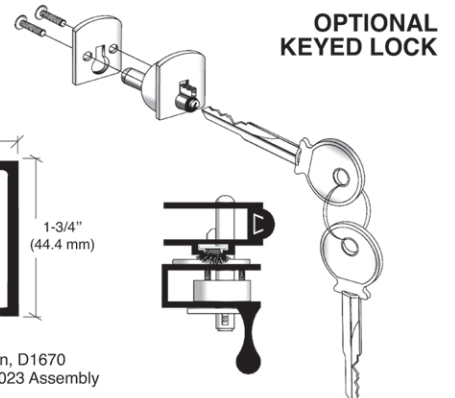
INTERIOR USE ONLY



SPRING-LOADED D35 GUIDE



STANDARD D7 OVERHEAD TRACK SPECIFY D1022 ASSEMBLY



D1670 OVERHEAD TRACK
When Matching a Store Front Extrusion, D1670 Upper Track may be used. Specify D1023 Assembly