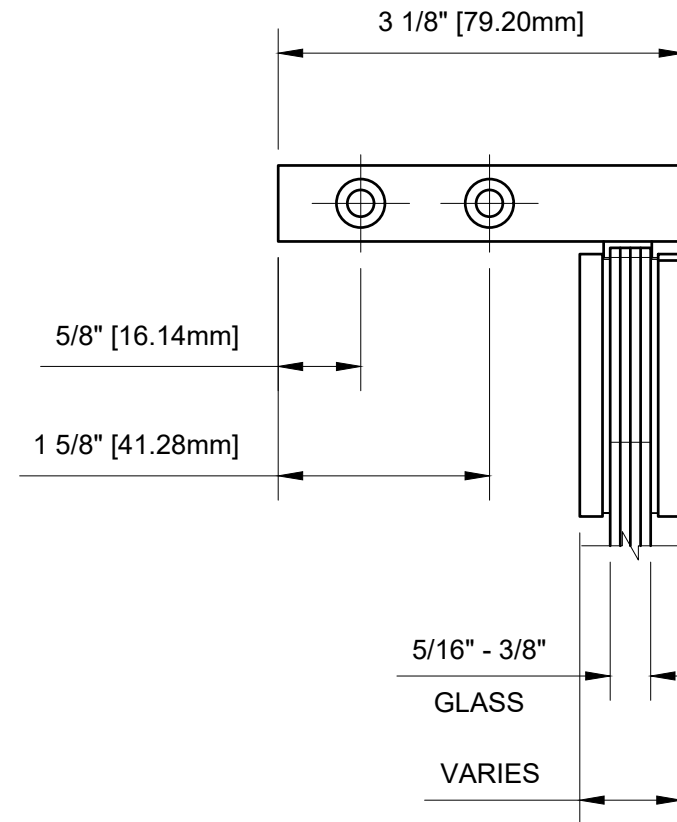
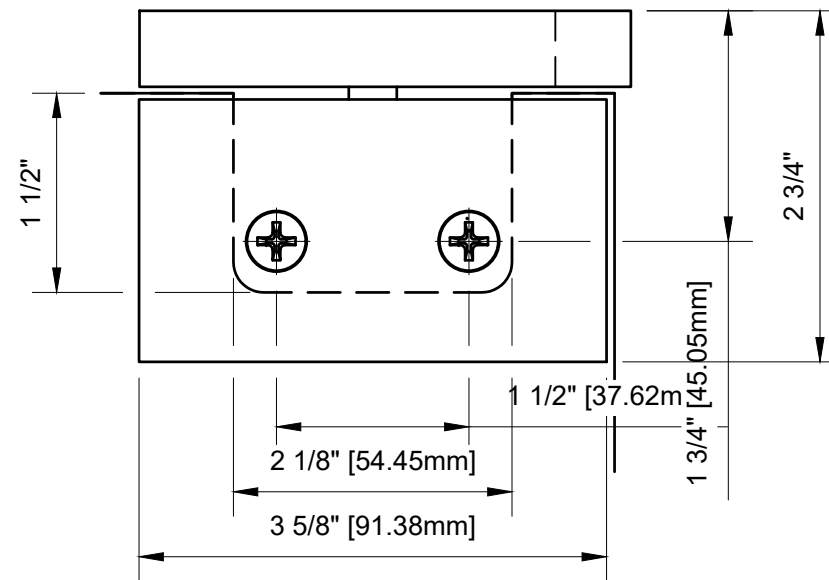
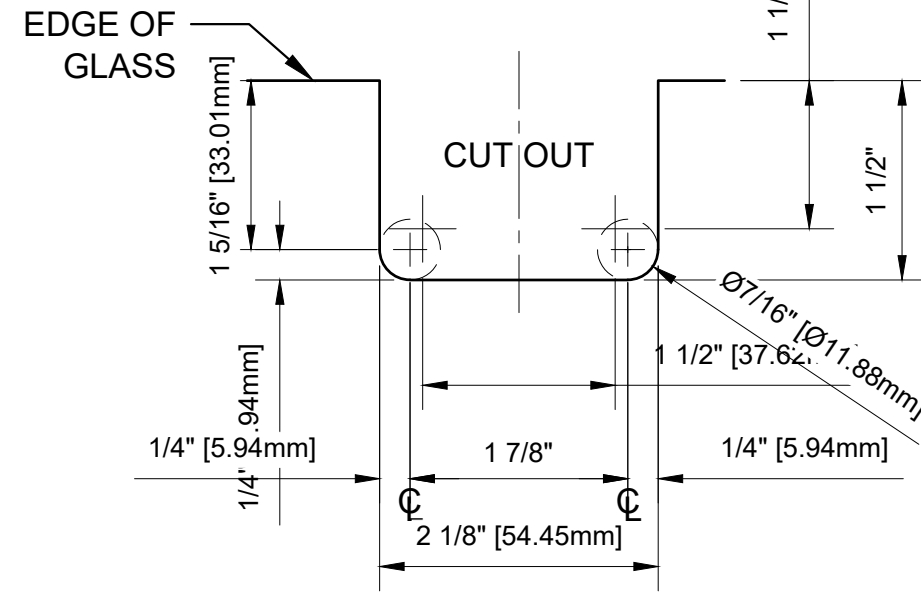
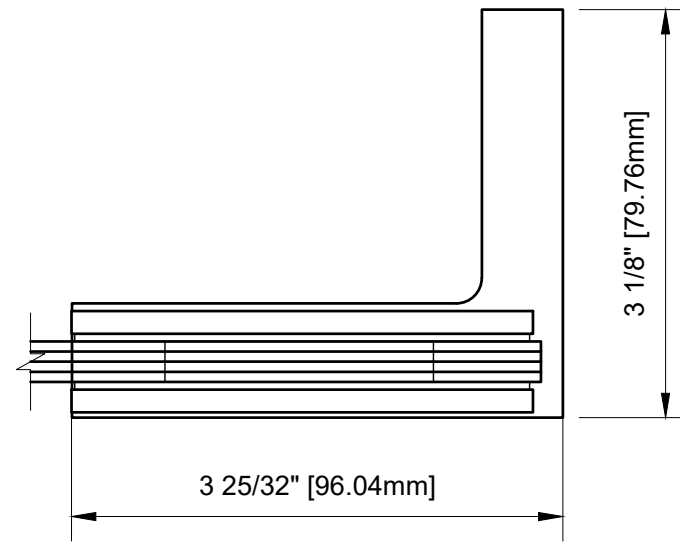


USE OF GASKETS

FOR 5/16" (8mm) GLASS: USE ONE THICK GASKET & ONE THIN GASKET ON EACH SIDE
 FOR 3/8" (10mm) GLASS: USE ONE THICK GASKET ON EACH SIDE



CATALOG NUMBER	FINISH
CAR05RCH	CHROME
CAR05RBR	BRASS
CAR05R0RB	OIL RUBBED BRONZE
CAR05RBN	BRUSHED NICKEL
CAR05RPN	POLISHED NICKEL
CAR05RSC	SATIN CHROME
CAR05RSN	SATIN NICKEL

CAR05RXX - CRL CARDIFF SERIES HINGES OFFSET WALL MOUNT

DATE: 1/7/19
 SCALE: 6"=1'-0"
 DRAWN BY: VM

DESCRIPTION: CRL CAR05R
 CTS
 CARDIFF SERIES
 WALL MOUNT OFFSET BRACKET PIVOT HINGE

C.R. LAURENCE CO. ARCHITECTURAL PRODUCTS
 2503 E. Vernon Avenue, Los Angeles, C.A 90058-1897
 PH (800)-421-6144 FX: 800-587-7501 www.crlaurence.com

