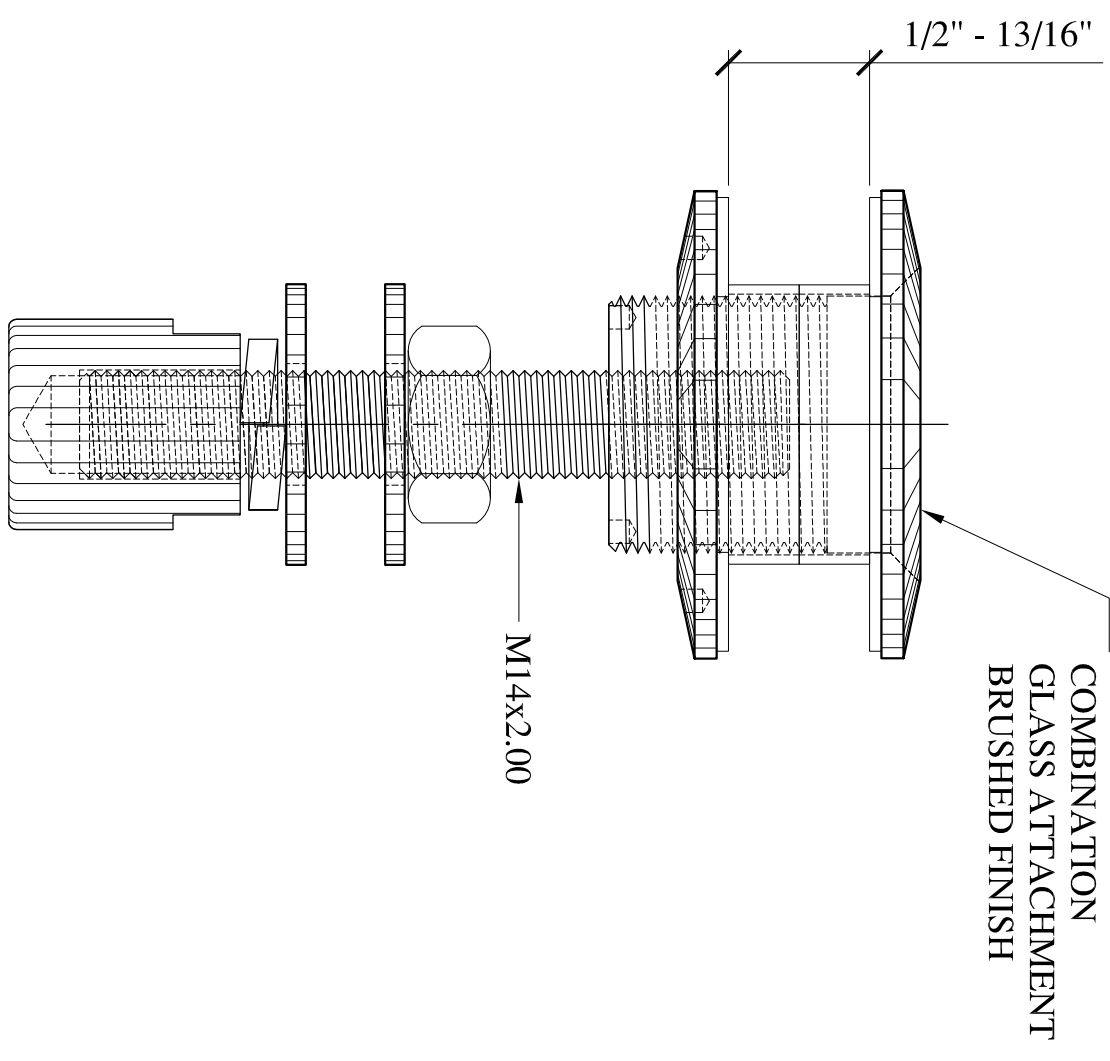




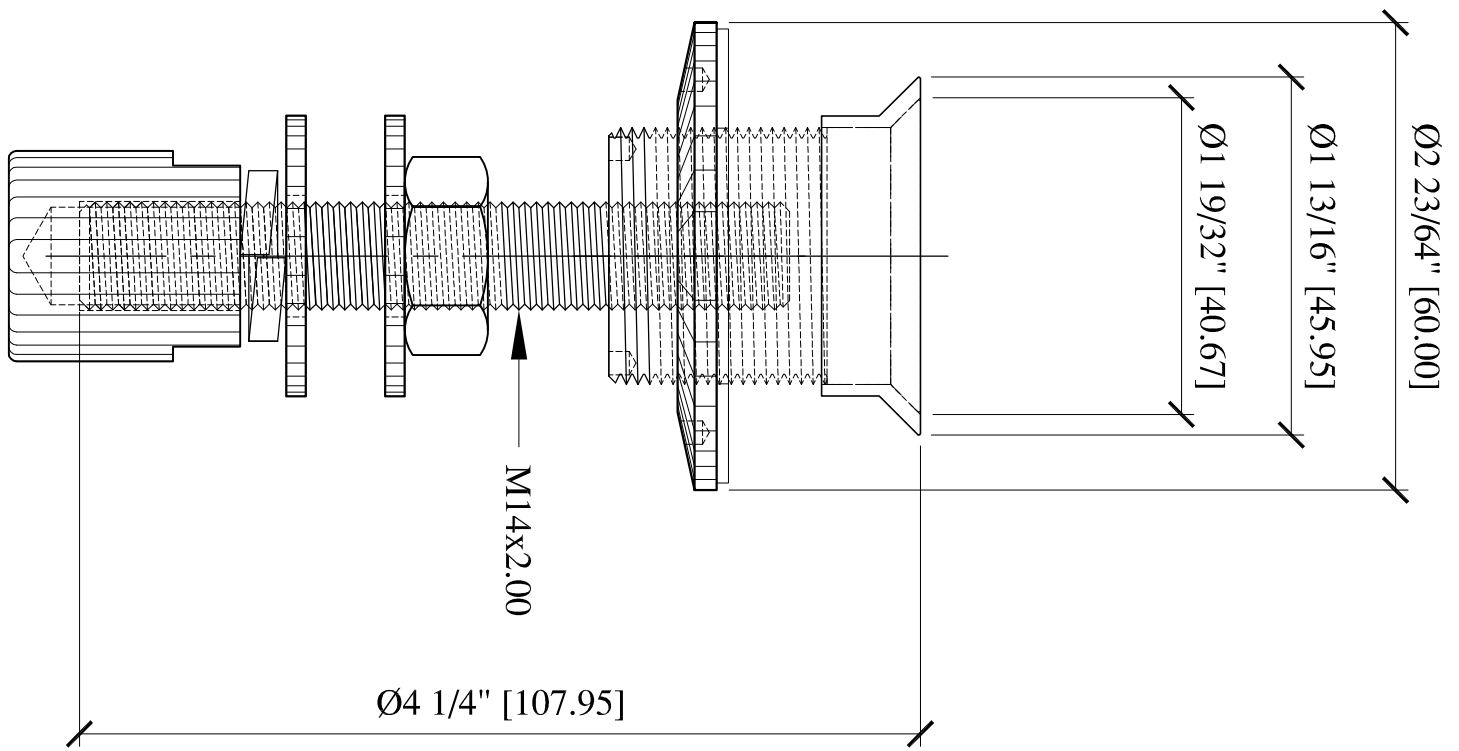
2503 E. Vernon Avenue, Los Angeles, CA 90058  
Phone: 800-421-6144 Fax: 800-262-3299  
www.crlaurence.com

Part No:  
\_\_\_\_\_  
No. HRF14BS  
\_\_\_\_\_

DATE: 12-09-09  
DRAWN BY: JRM  
CHECKED BY:  
SCALE: 1:1  
JOB #:  
Phone: -  
Fax: -



1 HRF14BS (CAP MOUNT)  
Scale: 1:1



2 HRF14BS (FLUSH MOUNT)  
Scale: 1:1

CRL RIGID HEAD COMBINATION  
GLASS ATTACHMENT

CATALOG NUMBER	FINISH
HRF14BS	BRUSHED STAINLESS
HRF14PS	POLISHED STAINLESS

CUSTOMER SIGNATURE: X \_\_\_\_\_

DATE: \_\_\_\_\_