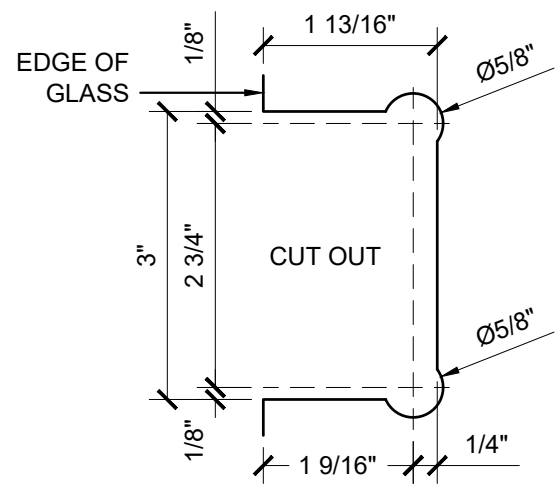
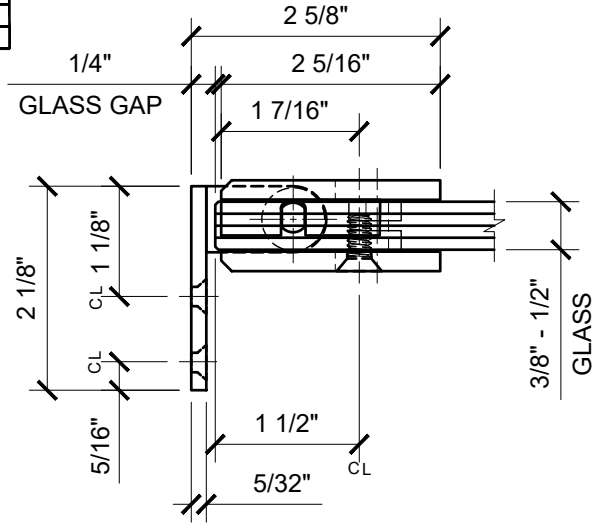
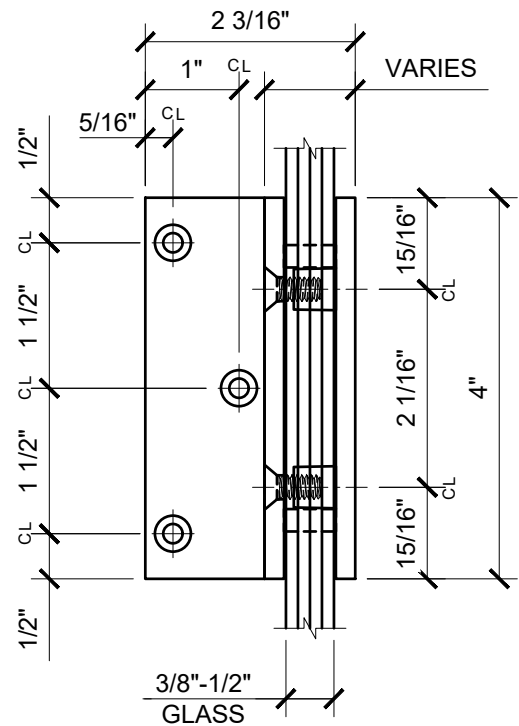
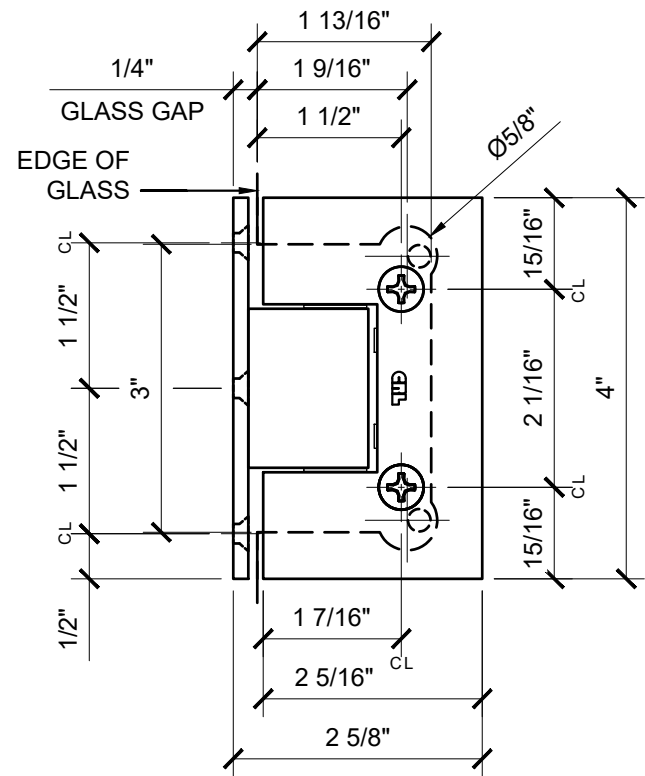


USE OF GASKETS

FOR 3/8" (10mm) GLASS: USE ONE THICK GASKET ON EACH SIDE
 FOR 1/2" (12mm) GLASS: USE ONE THIN GASKET ON EACH SIDE



GLASS FABRICATION TEMPLATE



CATALOG NUMBER	FINISH
V1E044CH	CHROME
V1E044MBL	MATTE BLACK
V1E044BR	BRASS
V1E0440RB	OIL RUBBED BRONZE
V1E044ABC0	ANTIQUE BRUSHED COPPER
V1E044ABL	ALL BLACK
V1E044ABN	ANTIQUE BRUSHED NICKEL
V1E044ABR	ANTIQUE BRASS
V1E044ABRZ	ANTIQUE BRONZE
V1E044AW	ALL WHITE
V1E044BBRZ	BRUSHED BRONZE
V1E044BC0	BRUSHED COPPER
V1E044BL	BLACK W/ CHROME ACCENTS
V1E044BN	BRUSHED NICKEL
V1E044BSC	BRUSHED SATIN CHROME
V1E044CBA	CHROME W/ BRASS ACCENTS
V1E044GM	GUN METAL
V1E044GB	GOLD PLATED
V1E044PN	POLISHED NICKEL
V1E044SB	SATIN BRASS
V1E044SC	SATIN CHROME
V1E044SN	SATIN NICKEL
V1E044WC	WHITE W/ CHROME ACCENTS

V1E044XX - CRL VIENNA SERIES WALL MOUNT OFFSET BACK PLATE HINGE

DATE: 11/22/17
 SCALE: 6"=1'-0"
 DRAWN BY: VM

DESCRIPTION: CRL V1E044 —
 VIENNA SERIES
 WALL MOUNT OFFSET BACK PLATE HINGE

C.R.LAURENCE CO. ARCHITECTURAL PRODUCTS
 2503 E. Vernon Avenue, Los Angeles, C.A 90058-1897
 PH (800)-421-6144 FX: 800-587-7501 www.crlaurence.com

