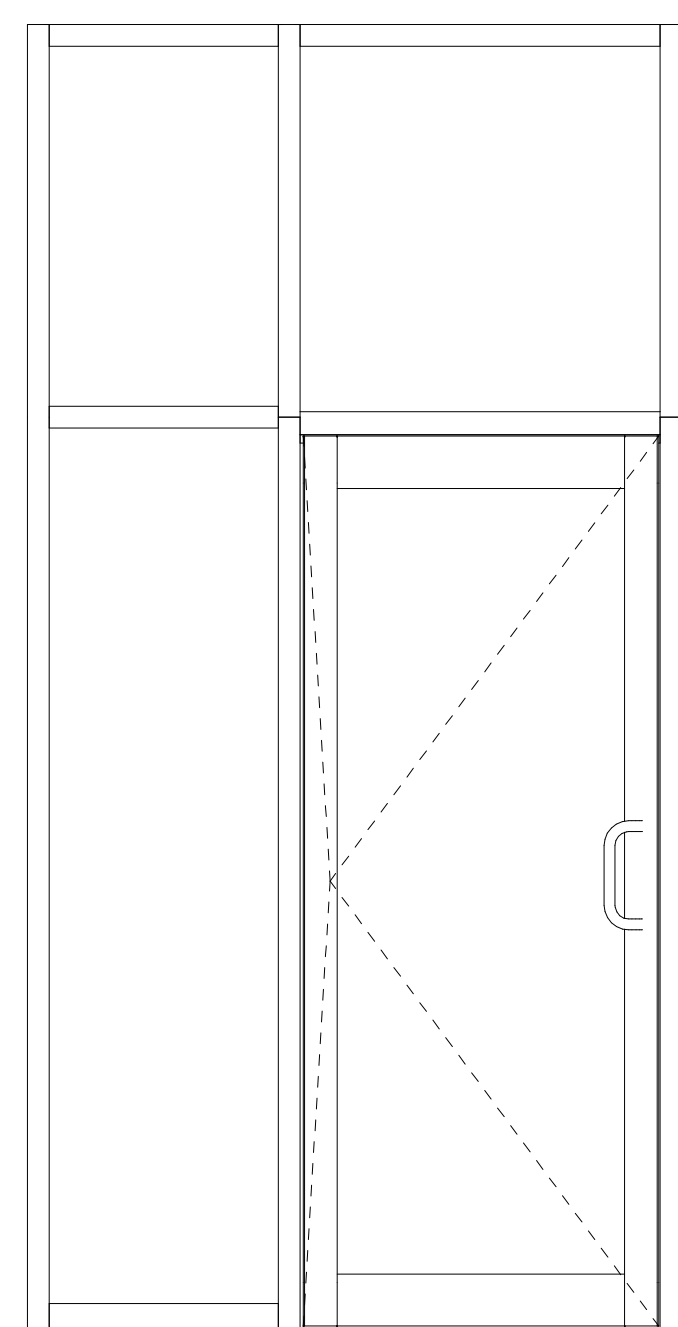
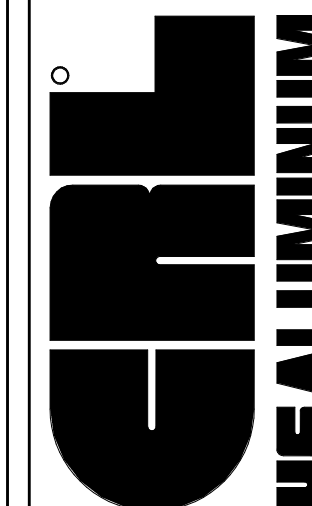
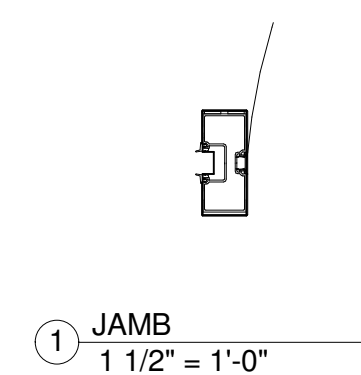
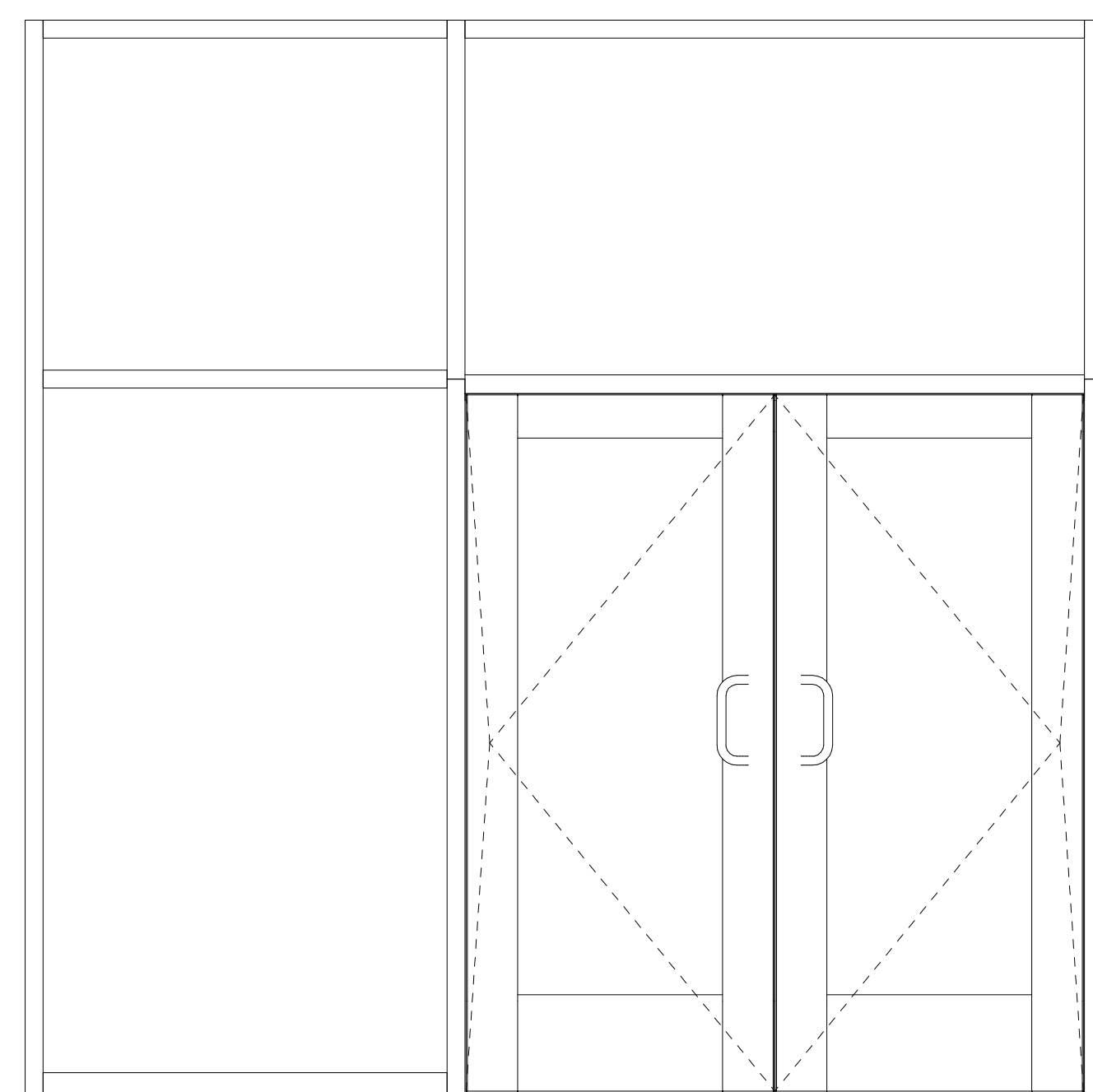


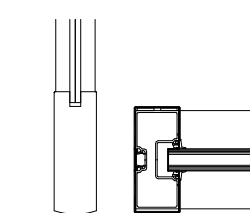
Revisions By:



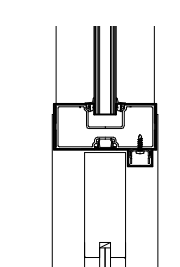
12 NORTH
3/4" = 1'-0"



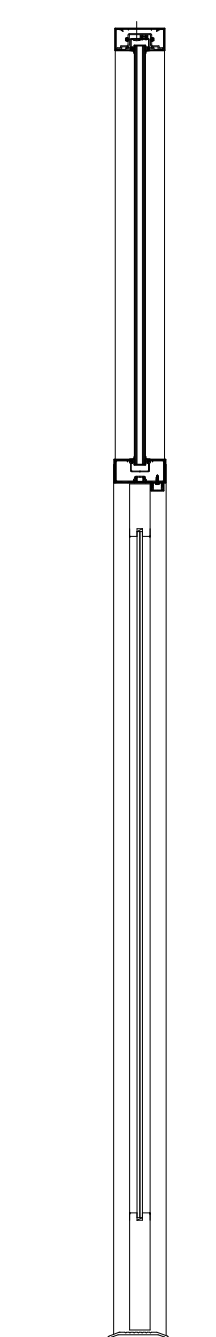
1 JAMB
1 1/2" = 1'-0"



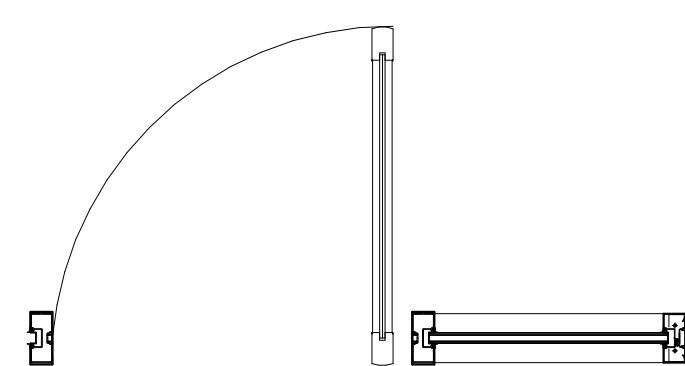
2 HINGE
1 1/2" = 1'-0"



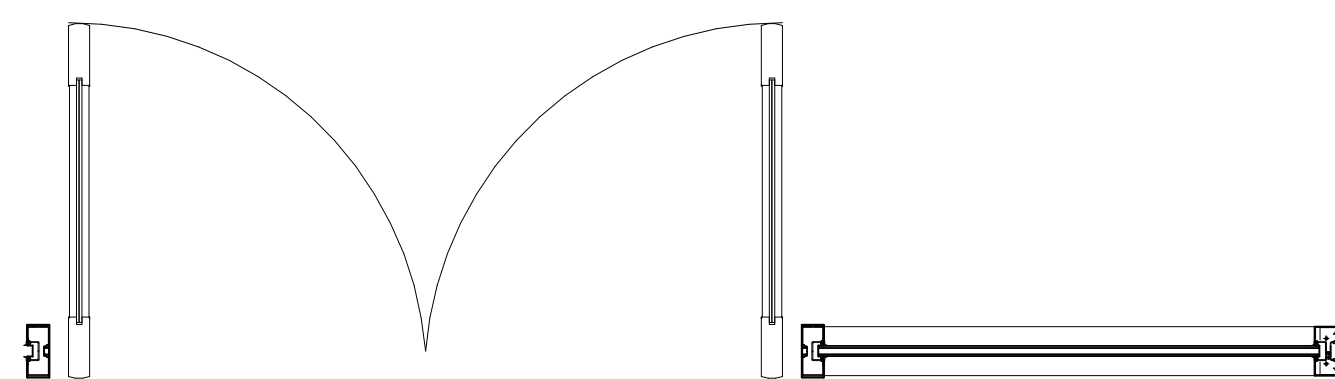
3 HEAD
1 1/2" = 1'-0"



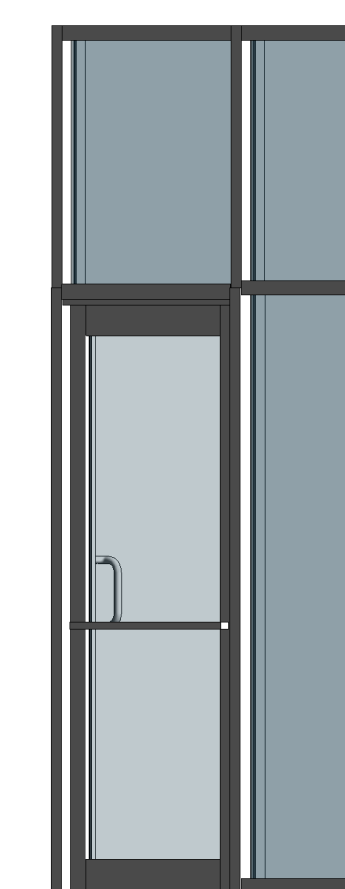
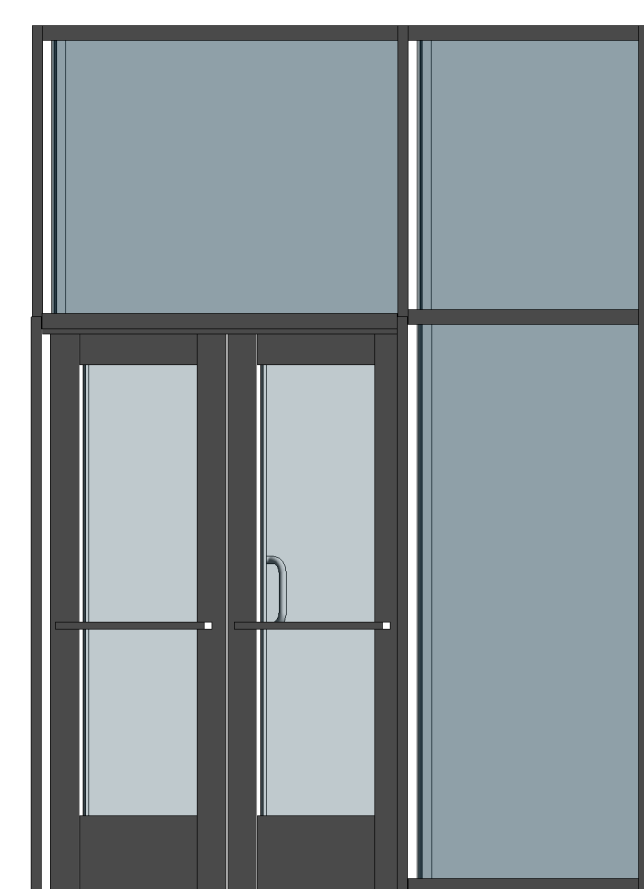
4 SECTION
3/4" = 1'-0"



6 FINE - SINGLE
3/4" = 1'-0"



5 FINE - DOUBLE
3/4" = 1'-0"



Description

CURTAIN DOOR
PREMIUM FULL CLAD

Drawn by:

Date:

Scale:

File name:

Sheet