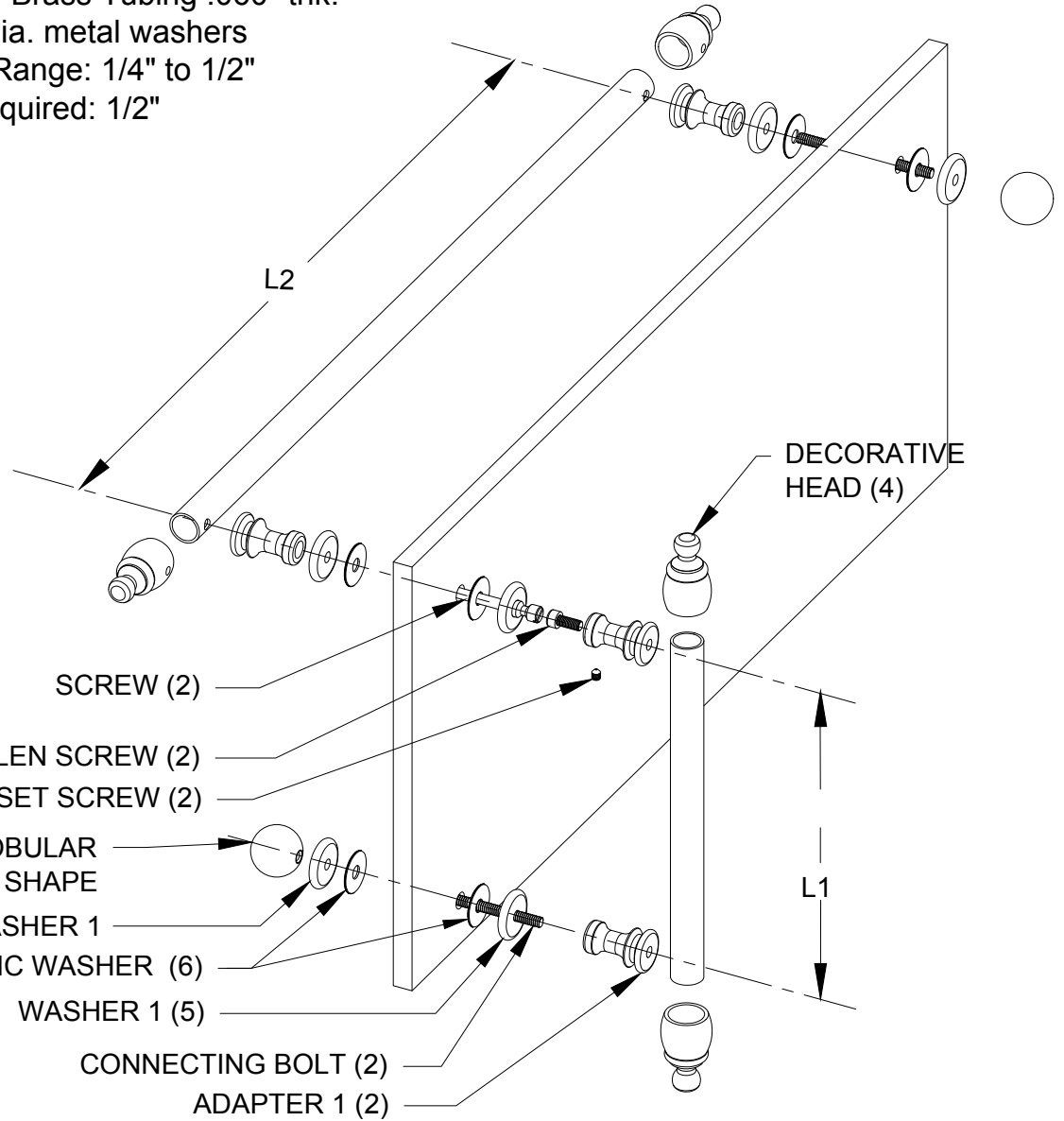
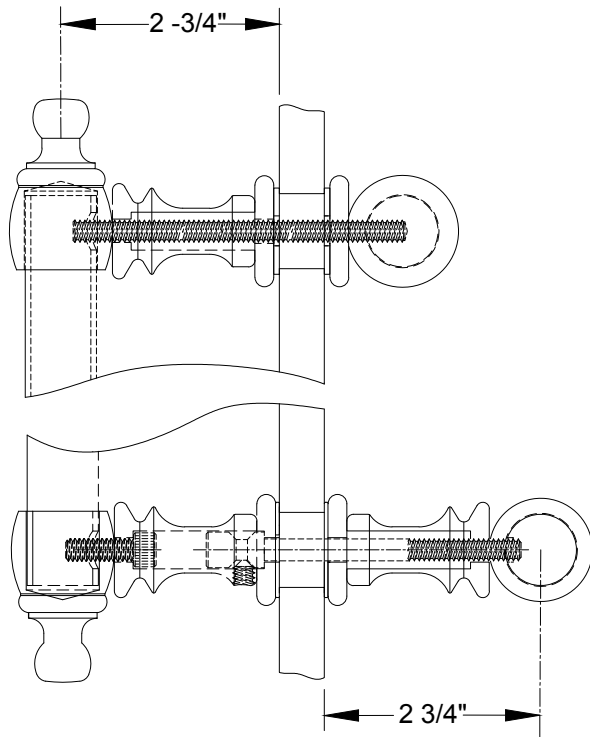


PART NUMBER	FINISH	L1	L2
C0L6X18CH	CHROME	6"	18"
C0L6X18BR	POLISHED BRASS	6"	18"
C0L6X180RB	OIL RUBBED BRONZE	6"	18"
C0L6X18BN	BRUSHED NICKEL	6"	18"
C0L6X18PN	POLISHED NICKEL	6"	18"
C0L6X18SC	SATIN CHROME	6"	18"
C0L6X24CH	CHROME	6"	24"
C0L6X24BR	POLISHED BRASS	6"	24"
C0L6X240RB	OIL RUBBED BRONZE	6"	24"
C0L6X24BN	BRUSHED NICKEL	6"	24"
C0L6X24SC	SATIN CHROME	6"	24"

Material: 3/4" dia. Brass Tubing .060" thk.
 1-1/4" dia. metal washers
 Glass Thickness Range: 1/4" to 1/2"
 Hole Diameter Required: 1/2"



C.R. LAURENCE CO.
 ARCHITECTURAL PRODUCTS
 PH (800)-421-6144 FX: 800-587-7501
 www.crlaurence.com

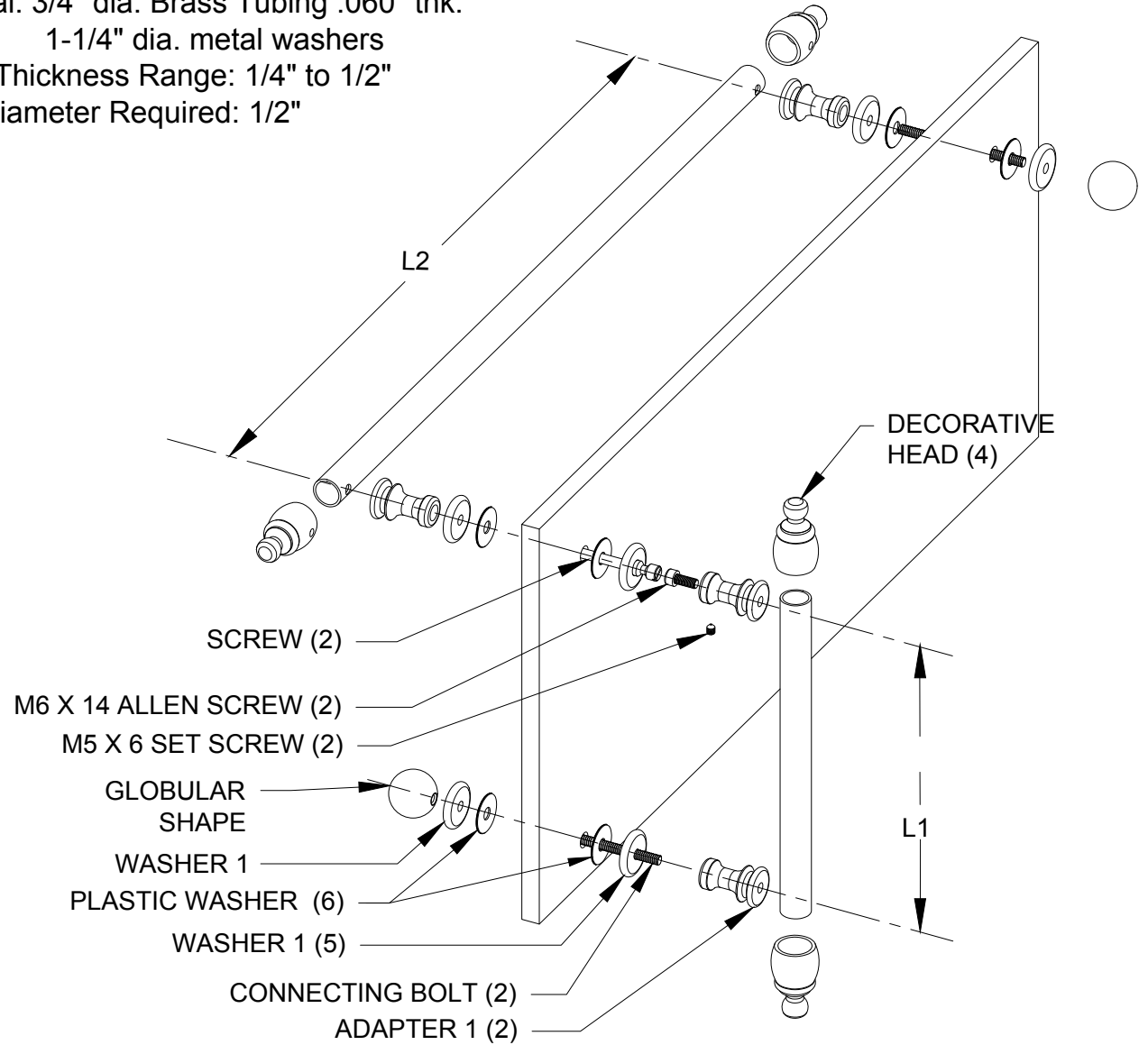
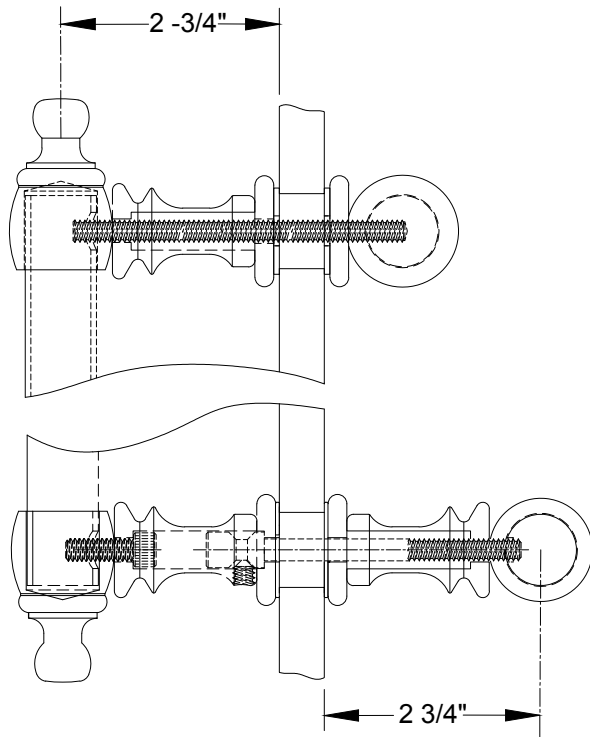
DESCRIPTION:

COLONIAL STYLE HANDLE COMBINATION

PART #:	SEE CHART	DATE:	11/05/18
FILE NAME:	COL HANDLE COMBO	SCALE:	NTS
DRAWN BY:	BRIAN R.		

PART NUMBER	FINISH	L1	L2
C0L8X18CH	CHROME	8"	18"
C0L8X18BR	POLISHED BRASS	8"	18"
C0L8X180RB	OIL RUBBED BRONZE	8"	18"
C0L8X18BN	BRUSHED NICKEL	8"	18"
C0L8X18PN	POLISHED NICKEL	8"	18"
C0L8X18SC	SATIN CHROME	8"	18"
C0L8X24CH	CHROME	8"	24"
C0L8X24BR	POLISHED BRASS	8"	24"
C0L8X240RB	OIL RUBBED BRONZE	8"	24"
C0L8X24BN	BRUSHED NICKEL	8"	24"
C0L8X24SC	SATIN CHROME	8"	24"

Material: 3/4" dia. Brass Tubing .060" thk.
 1-1/4" dia. metal washers
 Glass Thickness Range: 1/4" to 1/2"
 Hole Diameter Required: 1/2"



C.R. LAURENCE CO.
 ARCHITECTURAL PRODUCTS
 PH (800)-421-6144 FX: 800-587-7501
 www.crlaurence.com

DESCRIPTION:

COLONIAL STYLE HANDLE COMBO

PART #:	SEE CHART	DATE:	11/05/18
FILE NAME:	COL HANDLE COMBO	SCALE:	NTS
DRAWN BY:	BRIAN R.		