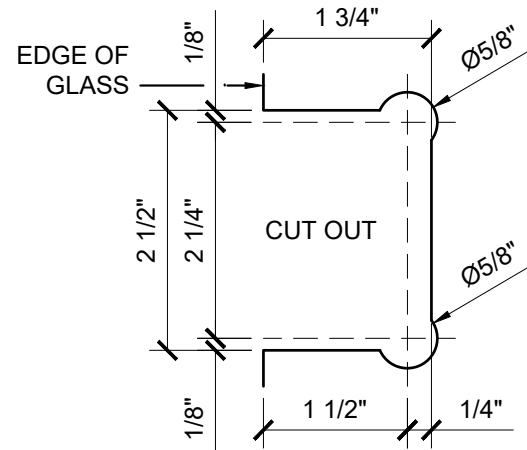
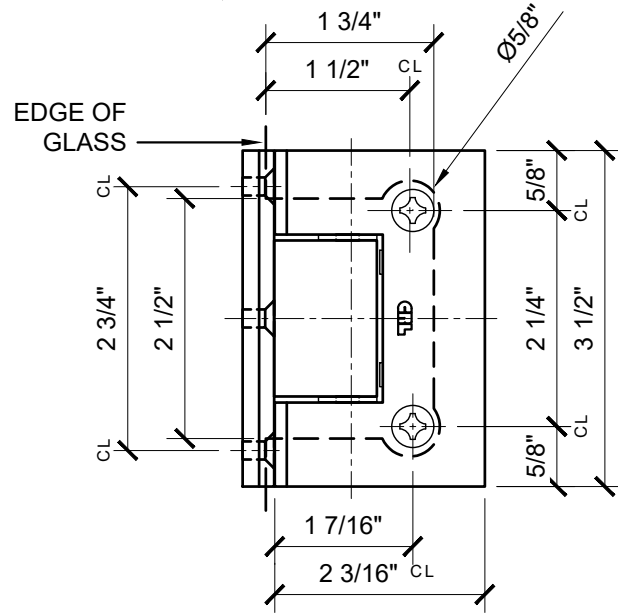
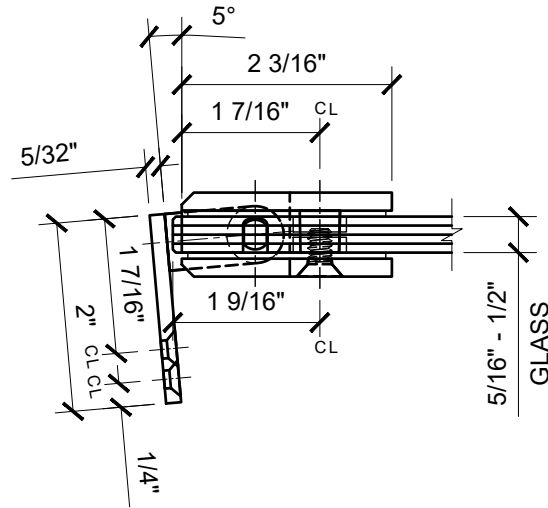
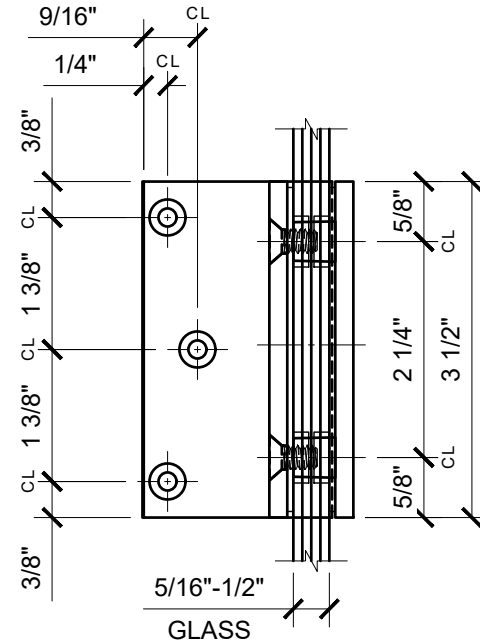


USE OF GASKETS

- FOR 5/16" (8mm) GLASS: USE ONE THICK GASKET ON EACH SIDE
- FOR 3/8" (10mm) GLASS: USE ONE THICK GASKET ON EACH SIDE
- FOR 1/2" (12mm) GLASS: USE ONE THIN GASKET ON EACH SIDE



GLASS FABRICATION TEMPLATE



**GEN544XX - CRL GENEVA 544 SERIES 5 DEGREE PRE-SET  
WALL MOUNT OFFSET BACK PLATE HINGE**

CATALOG NUMBER	FINISH
GEN544CH	CHROME
GEN544BR	BRASS
GEN544ORB	OIL RUBBED BRONZE
GEN544ABR	ANTIQUÉ BRASS
GEN544ABRZ	ANTIQUÉ BRONZE
GEN544BL	BLACK
GEN544BN	BRUSHED NICKEL
GEN544BSC	BRUSHED SATIN CHROME
GEN544GP	GOLD PLATED
GEN544PN	POLISHED NICKEL
GEN544SC	SATIN CHROME
GEN544WC	WHITE W/ CHROME ACCENTS

DATE: 6/27/17  
SCALE: 6"=1'-0"  
DRAWN BY: VM

DESCRIPTION: CRL GEN544  
GENEVA 544 SERIES 5 DEGREE PRE-SET  
WALL MOUNT OFFSET BACK PLATE HINGE

C.R.LAURENCE CO. ARCHITECTURAL PRODUCTS  
2503 E. Vernon Avenue, Los Angeles, C.A 90058-1897  
PH (800)-421-6144 FX: 800-587-7501 www.crlaurence.com

