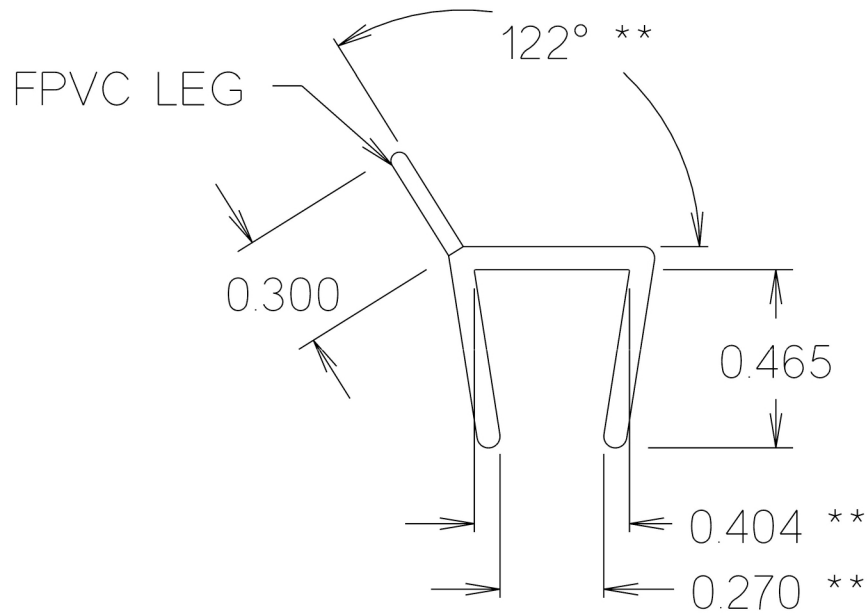




ACTUAL SIZE



- 0.060 & 0.045 WALL THICKNESS
- MATERIAL: PETG & FPVC
- CUT-OFF: SEE WORK ORDER
- "xx" INDICATES CRITICAL DIMENSION

3/8 CLEAR SEAL AND WIPE/USH

SCALE: 2:1 DATE: NOV 25/21